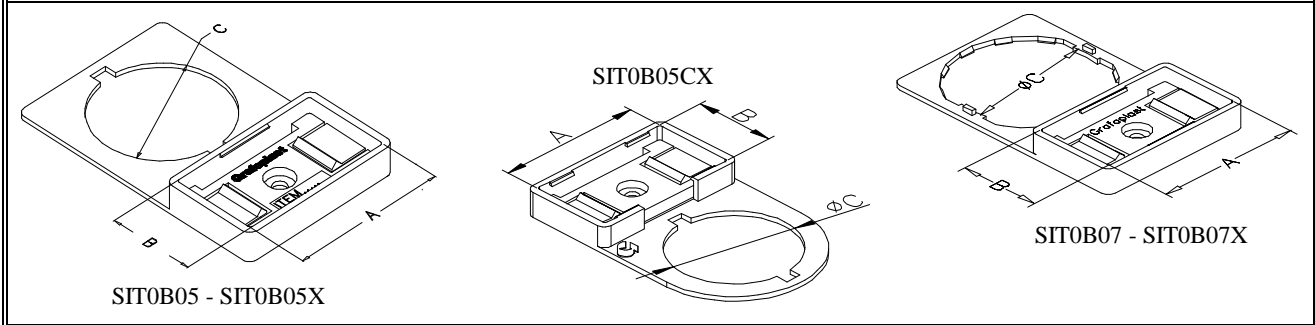


DATA SHEET N° DS/158	PLOTTER SYSTEM TAG HOLDER FOR PUSH BUTTON	DATE: 1/24/2008
--------------------------------	--	--------------------

PICTURE



REFERENCE ITEM CODE

SIT0B05 - SIT0B05MC - SIT0B05X - SIT0B05XMC - SIT0B07 - SIT0B07X - SIT0B08 - SIT0B08X - SIT0B09 - SIT0B09X

APPLICATION

THE ITEMS SIT0B05 - SIT0B07 - SIT0B08 - SIT0B09 ARE TAGS HOLDERS FOR ADHESIVE PUSH BUTTONS. THE ITEMS CARRYING AN X AT THE END OF THE ITEM CODE AREN'T ADHESIVE AND CAN BE FIXED BY USING SCREWS, RIVETS OR CABLE TIES. MARKING PROCEDURE IS COMPLETED BY THE TAGS (MARKED USING SI2000 PLOTTER SYSTEM OR SI2KSYS1 THERMAL TRANSFER SYSTEM) AND PROTECTING SLIDES.

PHYSICAL PROPERTIES

MATERIAL	POLYAMIDE WITH GLASS FILLER
SELF-EXTINGUISHABILITY	CLASS V0 in compliance with UL - 94 norms

ADHESIVE PHYSICAL PROPERTIES

ADHESIVE MASS	MODIFIED ACRYLIC
THICKNESS	0,4 mm
TENSILE STRENGTH	22 N / 25 mm
ELONGATION %	300
OPERATIVE TEMPERATURE	MAX 100 °C
APPLICATION TEMPERATURE	> 10 °C

ITEM CODE	DIMENSIONS mm			COLOR	ADHESIVENESS	PIECES PER PACK
	A	B	C = Ø			
SIT0B05	27	15	22.5	BLACK	ADHESIVE	192 PCS
SIT0B05MC	27	15	22.5	BLACK	ADHESIVE	400 PCS
SIT0B05X	27	15	22.5	BLACK	NON-ADHESIVE	192 PCS
SIT0B05XMC	27	15	22.5	BLACK	NON-ADHESIVE	400 PCS
SIT0B05CX	27	15	22.5	BLACK	NON-ADHESIVE	192 PCS
SIT0B07	27	15	-	BLACK	ADHESIVE	192 PCS
SIT0B07X	27	15	-	BLACK	NON-ADHESIVE	192 PCS
SIT0B08	27	27	22.5	BLACK	ADHESIVE	96 PCS
SIT0B08X	27	27	22.5	BLACK	NON-ADHESIVE	96 PCS
SIT0B09	27	8	-	BLACK	ADHESIVE	192 PCS
SIT0B09X	27	8	-	BLACK	NON-ADHESIVE	192 PCS

NOTE: The item SIT0B05CX differs from SIT0B05X for the reduced external dimensions (30x46 instead of 30x48,2 mm) and the rounded external shape. The compatibility with the marking items, tags and protecting slides, hasn't changed.

Document Number	REVIEWED, APPR. BY:	DATE:	REVISION ISSUE	PAGES
78-8127-9036-4		1/24/2008		1 of 1