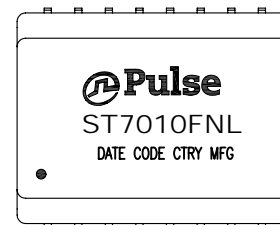


NOTES:

1. ROHS COMPLIANT
2. HEADER: PHENOLIC WITH FLAMMABILITY RATING UL 94V-0 OR BETTER.
3. STORAGE TEMPERATURE: -20°C TO +125°C
4. COMPLIANCE TO J-STD:
 - A. J-STD-002: SOLDERABILITY AT 245°C REFLOW PROFILE
 - B. J-STD-020: LEVEL 1, NO MOISTURE SENSITIVE
 - C. J-STD-075: R7, 245°C MAXIMUM THROUGH REFLOW SOLDER
5. TO ORDER TAPE & REEL PACKAGING ADD A "T" SUFFIX TO THE PART NUMBER(i.e ST7010FNL BECOMES ST7010FNLT).

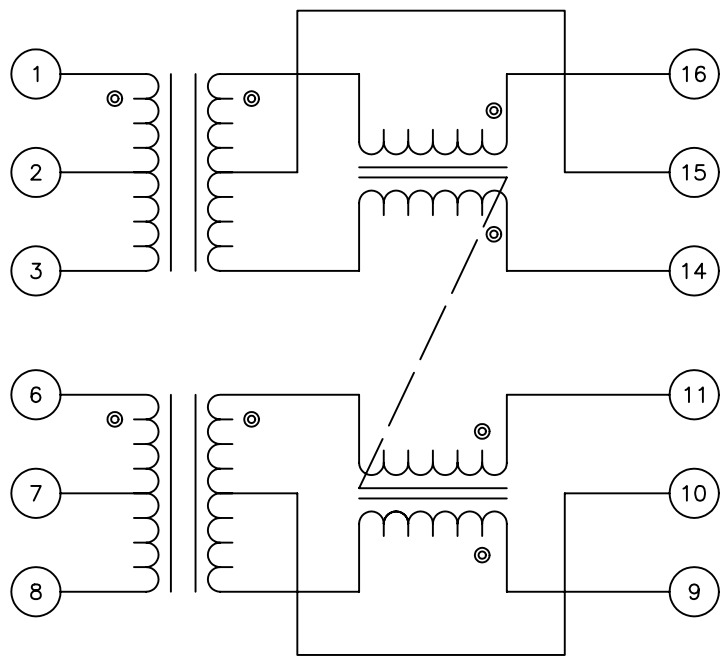


FINAL OUTLINE

© Copyright, 2014. Pulse Electronics Corp. All rights reserved. Pulse confidential & proprietary. (06/11/14)

| PRODUCT DESCRIPTION | TLA DRAWING | PS DRAWING | SHEET | PART NO. | DATASHEET REV. |
|---------------------------|--------------|---------------|--------|-----------|----------------|
| MDL,SIN,10D,1:1.414 SM,TU | ST7010FNL-10 | PS-2755.001-A | 1 OF 3 | ST7010FNL | A |

ELECTRICAL CHARACTERISTICS AT +25°C UNLESS OTHER SPECIFIED

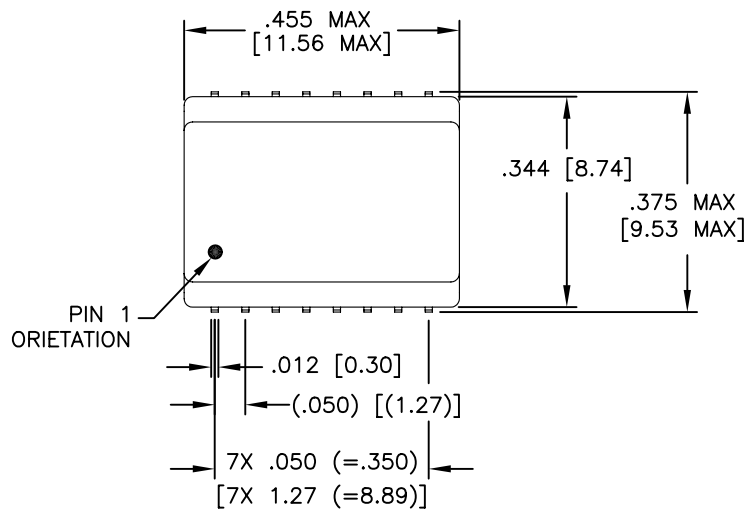


SCHEMATIC

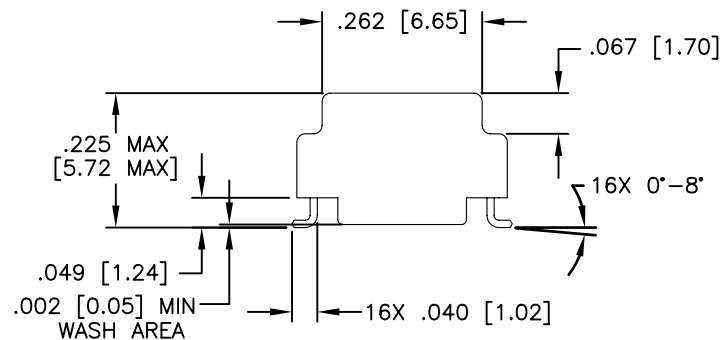
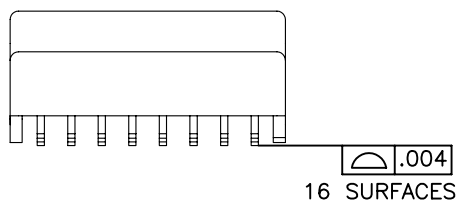
| PARAMETER | SPECIFICATIONS | | | | |
|-------------------------------------|---|--------------|--------------|--------------|--------------|
| OPERATING TEMPERATURE | 0°C ~ +70°C | | | | |
| POLARITY | PER SCHEMATIC | | | | |
| URNS RATIO | $(6-8)/(11-9) = 1 : 1.414 \pm 5\%$ $(1-3)/(16-14) = 1 : 1 \pm 5\%$ | | | | |
| INDUCTANCE (OCL) @ 20 mV, 10 KHz | $(1-3) = 175 \mu\text{H MIN}$ $(6-8) = 80 \mu\text{H MIN}$ $15-(14, 16) = 18-60 \mu\text{H}$ | | | | |
| DC RESISTANCE | 0.9 OHMS MAX | | | | |
| LL | $(1-3) \text{ SHORTED } (14-16) = .40 \mu\text{H MAX @ } 1 \text{ MHz MIN}$ $(9-11) \text{ SHORTED } (6-8) = .55 \mu\text{H MAX @ } 1 \text{ MHz MIN}$ | | | | |
| CWW | 20 pF MAX (AT 140 KHz, 1 V) | | | | |
| BETWEEN CHANNEL ISOLATION | 1500 VRMS FOR 60 SECONDS | | | | |
| Zp 15-(14, 16) | 10 MHz | 20-30 MHz | 55 MHz | 70 MHz | 100 MHz |
| | 650 OHMS | 950 OHMS MIN | 550 OHMS MIN | 400 OHMS MIN | 200 OHMS MIN |

© Copyright, 2014. Pulse Electronics Corp. All rights reserved. Pulse confidential & proprietary. (06/11/14)

| PRODUCT DESCRIPTION | TLA DRAWING | PS DRAWING | SHEET | PART NO. | DATASHEET REV. |
|---------------------------|--------------|---------------|--------|-----------|----------------|
| MDL,SIN,10D,1:1.414 SM,TU | ST7010FNL-10 | PS-2755.001-A | 2 OF 3 | ST7010FNL | A |



SUGGESTED LAND PATTERN



DIMENSIONS ARE IN INCHES [MILLIMETERS] WITH THE FOLLOWING TOLERANCES: [MILLIMETERS] ARE FOR REFERENCE ONLY.
 .XX= ±.01 [±0.25]
 .XXX= ±.005 [±0.13]

© Copyright, 2014. Pulse Electronics Corp. All rights reserved. Pulse confidential & proprietary. (06/11/14)

| PRODUCT DESCRIPTION | TLA DRAWING | PS DRAWING | SHEET | PART NO. | DATASHEET REV. |
|---------------------------|--------------|---------------|--------|-----------|----------------|
| MDL,SIN,10D,1:1.414 SM,TU | ST7010FNL-10 | PS-2755.001-A | 3 OF 3 | ST7010FNL | A |