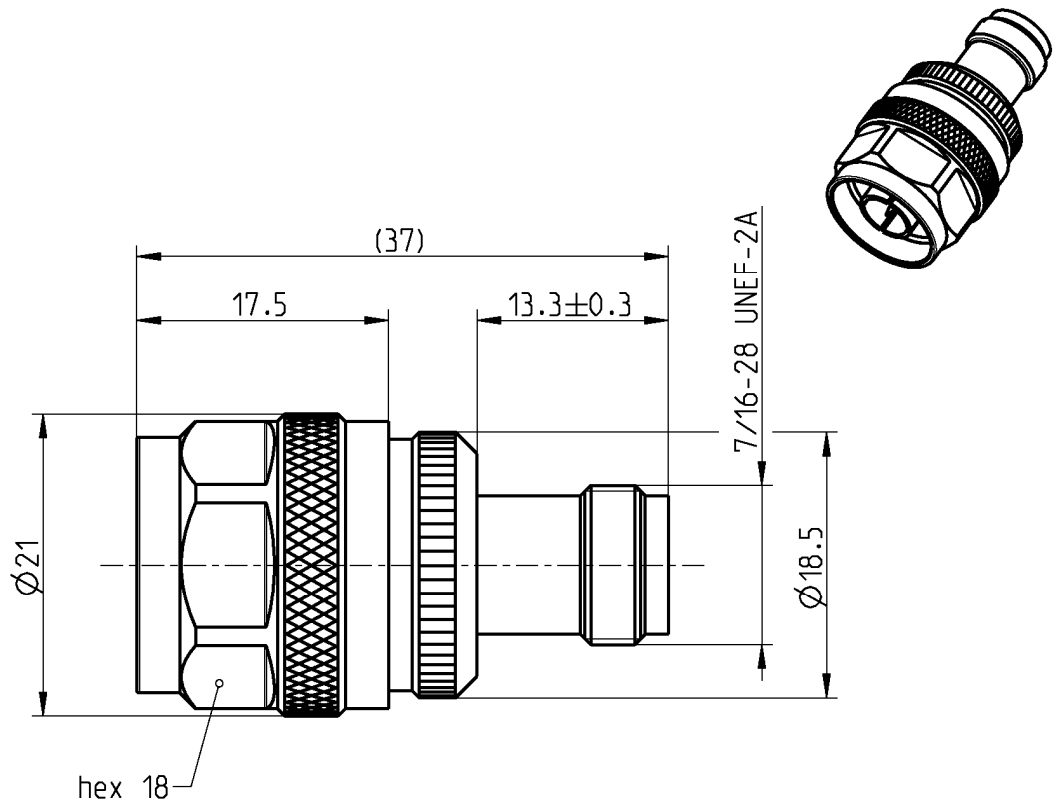


**ADAPTOR
N 50 Ω PLUG – TNC JACK**

53S156-K00N5



All dimensions are in mm; tolerances according to ISO 2768 m-H

Interface

According to N side: IEC 60169-16, MIL-PRF-39012, CECC 22210
TNC side: IEC 60169-17, MIL-PRF-39012, DIN EN 122200

Documents

N/A

Material and plating

Connector parts

Center contact
Outer contact N side
Outer contact TNC side
Dielectric
Gasket
Coupling nut

Material

CuBe
Brass
Brass
PTFE
Silicone
Brass

Plating

AuroDur®, gold plated
Flash white bronze over silver(e.g. Optargen®)
Flash white bronze over silver(e.g. Optargen®)
Flash white bronze over silver(e.g. Optargen®)

**ADAPTOR
N 50 Ω PLUG – TNC JACK**

53S156-K00N5

Electrical data

| | | |
|--|-------------------------|--------------------|
| Impedance | 50 Ω | |
| Frequency | DC to 10 GHz | |
| Return loss | ≥ 28 dB, DC to 1 GHz | |
| | ≥ 24 dB, 1 to 4 GHz | |
| | ≥ 14 dB, 4 to 10 GHz | |
| Insertion loss | ≤ 0.05 dB, DC to 4 GHz | |
| Insulation resistance | ≥ 5 x10 ³ MΩ | |
| Center contact resistance | ≤ 1 mΩ, N side | ≤ 1.5 mΩ, TNC side |
| Outer contact resistance | ≤ 0.25 mΩ, N side | ≤ 1 mΩ, TNC side |
| Working voltage | 500 V rms | |
| Power handling (at 20 °C, sea level, VSWR 1.0) | ≤ 80 W @ 2 GHz | |

Mechanical data

| | | |
|-----------------------------------|------------------|--------------------|
| | N side | TNC side |
| Mating cycles | min. 500 | min. 500 |
| Coupling nut retention | ≥ 450 N | N/A |
| Center contact captivation: axial | ≥ 28 N | ≥ 28 N |
| Coupling test torque | max. 1.7 Nm | max. 1.7 Nm |
| Recommended torque | 0.7 Nm to 1.1 Nm | 0.46 Nm to 0.69 Nm |

Environmental data

| | |
|---------------------|---------------------------------|
| Temperature range | -55°C to +155°C |
| Thermal shock | MIL-STD-202, Meth. 107, Cond. B |
| Corrosion | MIL-STD-202, Meth. 101, Cond. B |
| Vibration | MIL-STD-202, Meth. 204, Cond. B |
| Shock | MIL-STD-202, Meth. 213, Cond. I |
| Moisture resistance | MIL-STD-202, Meth. 106 |
| RoHS | compliant |

Tooling

N/A

Suitable cables

N/A

Weight

Weight 35.3 g/pce

While the information has been carefully compiled to the best of our knowledge, nothing is intended as representation or warranty on our part and no statement herein shall be construed as recommendation to infringe existing patents. In the effort to improve our products, we reserve the right to make changes judged to be necessary.

| Draft | Date | Approved | Date | Rev. | Engineering change number | Name | Date |
|--|----------|-------------|----------|------|--|-------------|---------------|
| Inge Mühlauer | 08/06/04 | J_Gramsamer | 20.04.15 | e00 | 15-0397 | J_Krautenb. | 20.04.15 |
| Rosenberger Hochfrequenztechnik GmbH & Co. KG P.O.Box 1260 D-84526 Tittmoning Germany www.rosenberger.de | | | | | Tel.: +49 8684 18-0 email: info@rosenberger.de | | Page 2 / 2 |