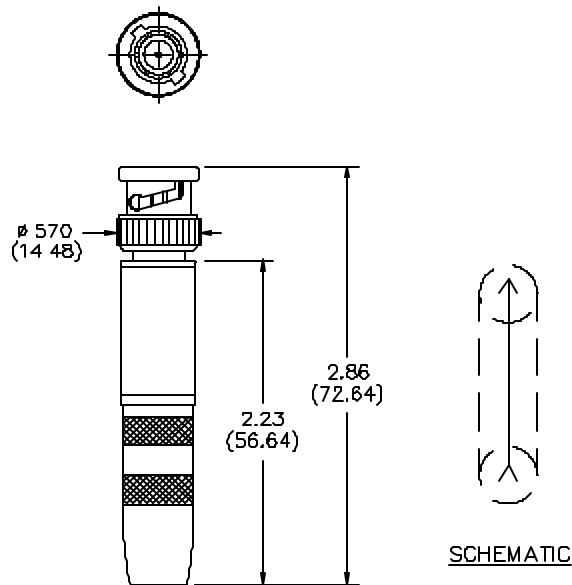


Model 4043 Adapter – BNC Male To 2 Conductor Standard Phone Jack



FEATURES:

- Permits a standard 2 conductor 6.4 (.250) dia. phone plug to be used with equipment having BNC female.
- All metal construction to insure proper shielding.

MATERIALS:

Upper Conn.: BNC Male.

Finish: Body and Fittings, Tarnish Resistant.

Center Contact: Gold plated per requirements of MIL-C-39012.

Body:

Material: Brass per QQ-B-626, Alloy 360, 1/2 Hard.

Finish: Nickel plated per QQ-N-290, Class 2, 200/300 microinches.

Lower Conn: Standard Phone Jack, 2 Conductor, Shielded.

Material: Brass.

Finish: Nickel plated.

RATINGS:

Operating Temperature: +257°F. (+125°C.) Max.

Operating Voltage: 500 VRMS.

ORDERING INFORMATION: Model 4043

All dimensions are in inches. Tolerances (except noted): .xx = ±.02" (.51 mm), .xxx = ± .005" (.127 mm).

All specifications are to the latest revisions. Specifications are subject to change without notice.

Registered trademarks are the property of their respective companies. Made in USA