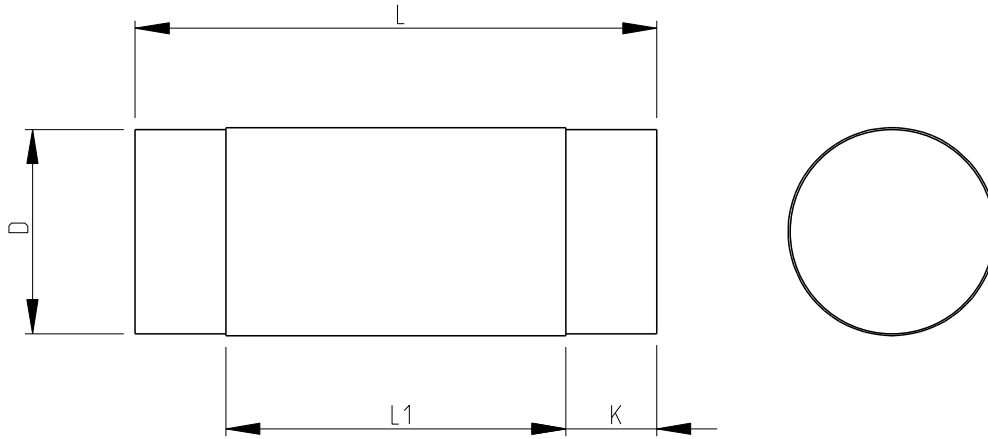
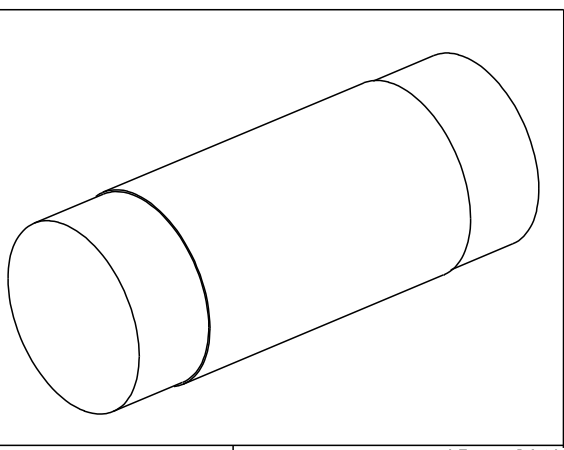


LOC	DIST	REVISIONS					
E	B	P	LTR	DESCRIPTION	DATE	DWN	APVD
		BA		NEW RELEASE	05MAY2010	PT	St.P

FOR FURTHER INFORMATION SEE DATA SHEET OF SMA-SERIES MELF RESISTORS


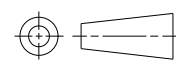


RoHS Compliant



Codes	L	∅D	K	L1 Min
0204	3.45±0.1	1.35±0.1	0.6±0.1	2.00
0207	5.90±0.1	2.20±0.1	1.0±0.1	3.40

2008
 RELEASED FOR PUBLICATION
 ALL RIGHTS RESERVED.
 THIS DRAWING IS UNPUBLISHED.
 © COPYRIGHT 2008

DIMENSIONS:		DWN	05MAY2010	MATERIAL	FINISH		
mm		PARUSURAM.T		-	-		
TOLERANCES UNLESS OTHERWISE SPECIFIED:		CHK	05MAY2010	 TE Connectivity			
0 PLC ±0.2		SUBHASH.M					
1 PLC ±0.1		APVD	05MAY2010	NAME MELF RESISTORS SMA SERIES			
2 PLC ±		STEPHEN.P					
3 PLC ±		PRODUCT SPEC		SIZE	CAGE CODE	DRAWING NO	RESTRICTED TO
4 PLC ±		APPLICATION SPEC		A 4	00779	C=1879283	-
ANGLES ±5°		WEIGHT		SCALE 40:1			SHEET 1 OF 1
		CUSTOMER DRAWING		REV BA			