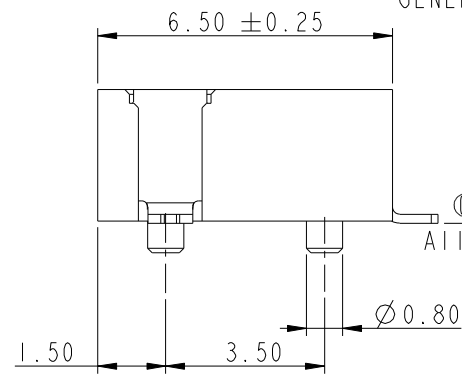
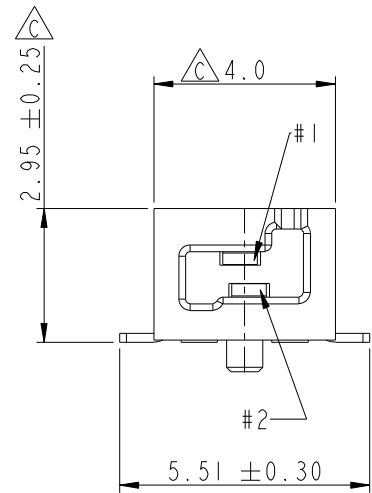
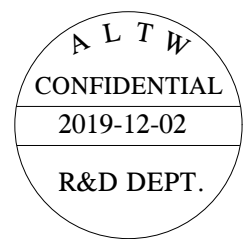
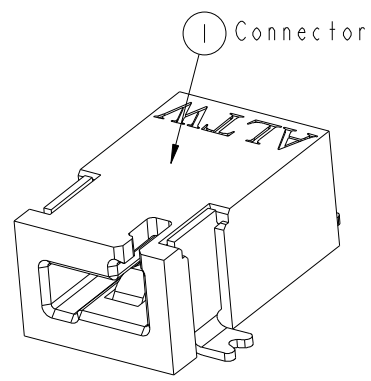
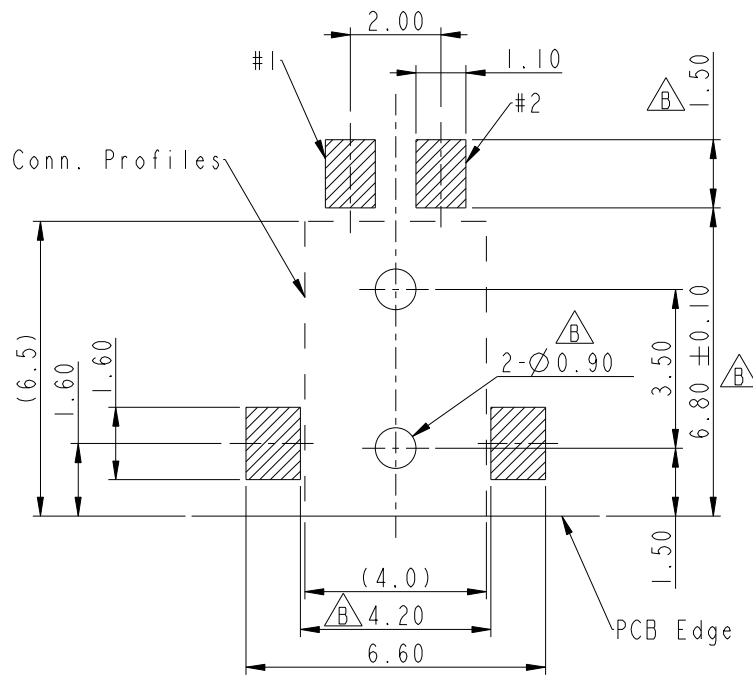
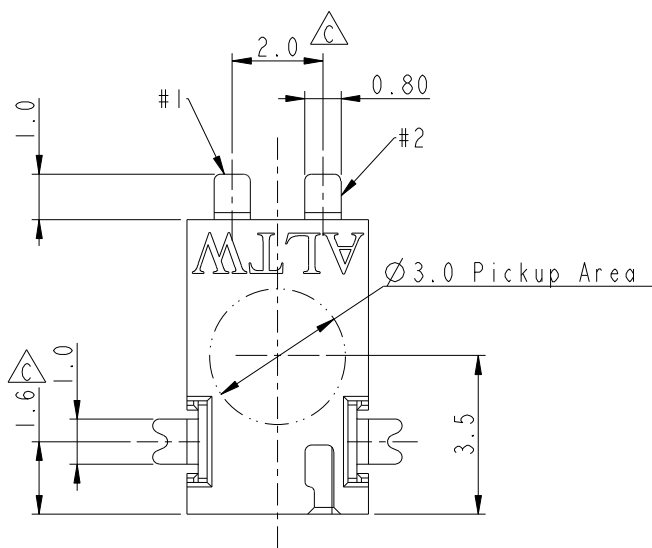


THIS DOCUMENT IS SUBJECT TO CHANGE WITHOUT NOTICE. IT IS CONFIDENTIAL AND A PROPERTY OF Amphenol LTW. DISCLOSURE TO THIRD PARTY HAS TO BE AUTHORIZED BY Amphenol LTW.

REV.	ECN NO.	DATE	SIGN	DESCRIPTION
C	LE313C0104	2013-12-16	Fisher	Change Plating and Dimensions
D	CI91496	2019-08-29	NianPing Yu	Add UL Label
E	CI92063	2019-12-02	NianPing Yu	FXI



RECOMMENDED P.C.B. LAYOUT  
GENERAL TOLERANCE IS ±0.05

- Notes:
- \* Important Dimension To Check.
  - \* Housing: High temperature thermoplastic. UL94V-0, color is Natural white.
  - \* Terminal: Copper Alloy, Gold Plated on contact area. Tin plated on solder tails.
  - \* Solder Peg: Copper Alloy, Tin plated over Nickel.

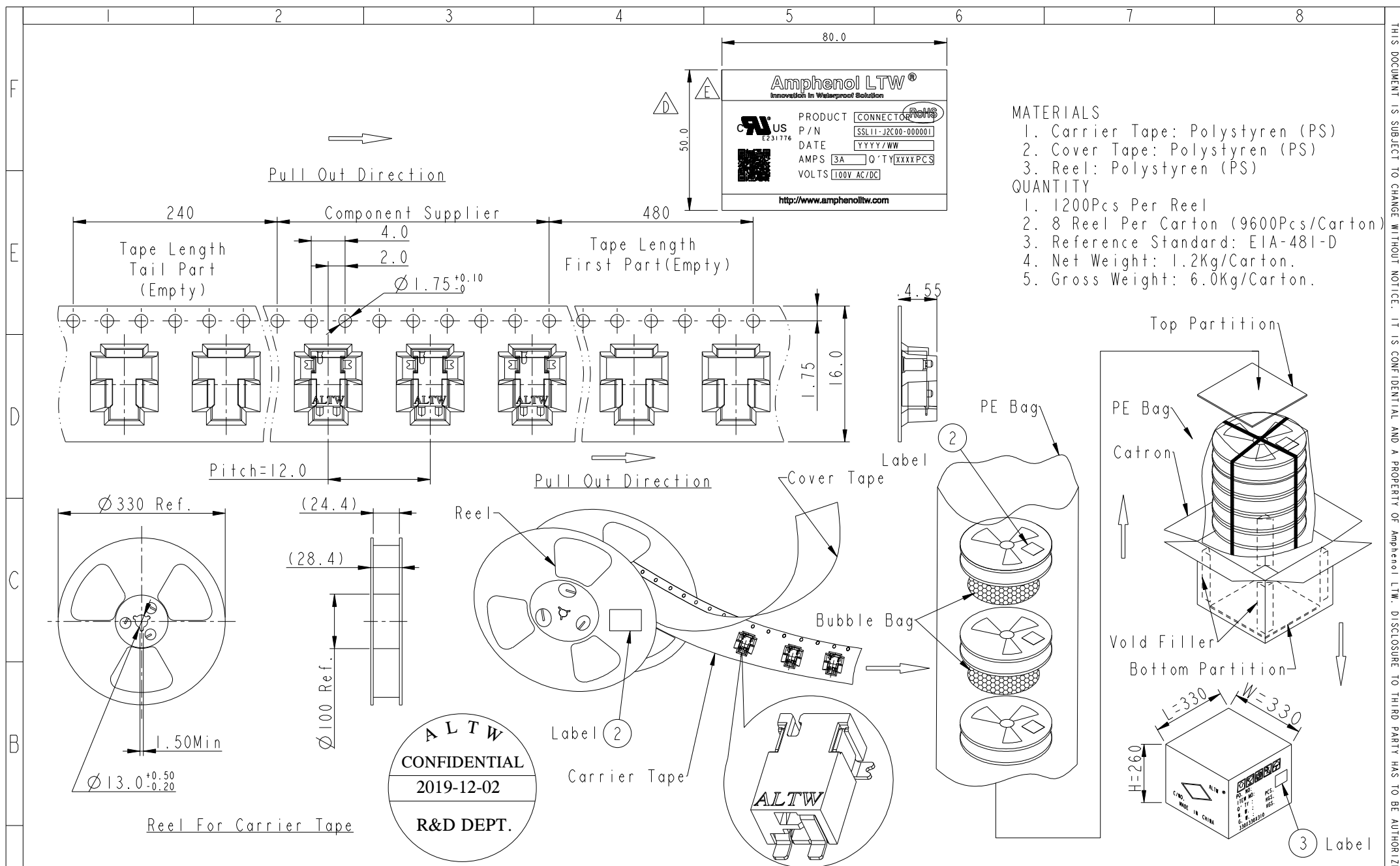
UNIT: mm		
TOLERANCE		
.X	±0.25	
.XX	±0.1	
.XXX	±0.05	
ANGLES	±1°	

TITLE SSL-1.1 DC JACK CONNECTOR 2-POS. WITH POST, SMT TYPE			
SCALE 6:1	SIZE A4	SHEET 1 OF 2	
REV. E	WC-REV. A.2	: Inspection item	

**Amphenol LTW**  
安費諾亮泰企業股份有限公司

ITEM NO. SSL11-J2C00-000001	DRAWN BY NianPing Yu	DATE 2019-08-29
DWG NO. SSL11-J2C00-000001	CHECKED BY Fisher Wang	DATE 2019-08-29
CUSTOMER ALTW	APPROVED BY Max Yang	DATE 2019-08-29

THIS DOCUMENT IS SUBJECT TO CHANGE WITHOUT NOTICE. IT IS CONFIDENTIAL AND A PROPERTY OF Amphenol LTW. DISCLOSURE TO THIRD PARTY HAS TO BE AUTHORIZED BY Amphenol LTW.



- MATERIALS**
1. Carrier Tape: Polystyren (PS)
  2. Cover Tape: Polystyren (PS)
  3. Reel: Polystyren (PS)
- QUANTITY**
1. 1200Pcs Per Reel
  2. 8 Reel Per Carton (9600Pcs/Carton)
  3. Reference Standard: EIA-481-D
  4. Net Weight: 1.2Kg/Carton.
  5. Gross Weight: 6.0Kg/Carton.

**ALTW**  
**CONFIDENTIAL**  
 2019-12-02  
**R&D DEPT.**

<b>UNIT:mm</b> TOLERANCE .X ±0.25 .XX ±0.1 .XXX ±0.05 ANGLES ±1°		<b>TITLE</b> SSL-1.1 DC JACK CONNECTOR 2-POS. WITH POST, SMT TYPE	<h1 style="margin: 0;">Amphenol LTW</h1> <h2 style="margin: 0;">安費諾亮泰企業股份有限公司</h2>	<b>ITEM NO</b> SSL11-J2C00-000001	<b>DRAWN BY</b> NianPing Yu	<b>DATE</b> 2019-08-29
		<b>SCALE</b> 5:1		<b>SIZE</b> A4	<b>SHEET</b> 2 OF 2	<b>DWG NO</b> SSL11-J2C00-000001
<b>REV.</b> E <b>WC-REV.</b> A.8 <b>QC</b> : Inspection item				<b>CUSTOMER</b> ALTW	<b>APPROVED BY</b> Max Yang	<b>DATE</b> 2019-08-29