



Electronic Components

High Quality

CAPACITORS

ALUMINUM ELECTROLYTIC CAPACITORS WITH CONDUCTIVE POLYMER SOLID ELECTROLYTE

ALUMINUM ELECTROLYTIC CAPACITORS

ELECTRIC DOUBLE LAYER CAPACITORS "DYNACAP®"

PLASTIC FILM CAPACITORS

ELNA CO., LTD.

CAT.No.2015/2016E

Certifications of Quality Management System (as of Dec. 2014)

Factory	Applicable Standard	Certification Number	Item	Applicable Organization
ELNA TOHOKU CO., LTD. AOMORI Factory (Japan)	ISO 9001	JP10/062038	Aluminum electrolytic capacitors Aluminum Electrolytic Capacitors With Conductive Polymer Solid Electrolyte Electric double layer capacitors	SGS
ELNA CO., LTD. SHIRAKAWA Tech. (Japan)	ISO/TS 16949	IATF0178185 SGS JP14/062589	Aluminum electrolytic capacitors Aluminum Electrolytic Capacitors With Conductive Polymer Solid Electrolyte	SGS
TANIN ELNA CO., LTD. (Thailand)	ISO/TS 16949	IATF0145255 44 111 060686	Aluminum electrolytic capacitors Electric double layer capacitors	TÜV
	ISO 9001	04 100 990506	Aluminum electrolytic capacitors Electric double layer capacitors	TÜV
ELNA-SONIC SDN. BHD. (Malaysia)	ISO/TS 16949	IATF0170448 SGS MY04/0675	Aluminum electrolytic capacitors	SGS
	ISO 9001	SG02/20012	Aluminum electrolytic capacitors	SGS

Certifications of Environmental Management System (as of Dec. 2014)

Factory	Applicable Standard	Certification Number	Applicable Organization
ELNA TOHOKU CO., LTD. AOMORI Factory (Japan)	ISO 14001	JQA-EM2918	Japan Quality Assurance (JQA)
TANIN ELNA CO., LTD. (Thailand)	ISO 14001	04104 990506	TÜV
ELNA-SONIC SDN. BHD. (Malaysia)	ISO 14001	SG03/60718	SGS

Please read the following warning and cautions !!

The Electronic components shown in this catalog are designed and produced mainly for such general purpose electronic equipment as audio and visual equipment, home appliances, office equipment and information processing and communication equipment.

If you wish to use these components in medical equipment, transportation equipment, (automotive, train, ships, etc), aircraft, spacecraft, security systems or other equipment that requires high security application, you are required to confirm application through your own testing and own judgment.

Regardless of a component intended use, if high safety application is required, it is recommended that you shall establish a protective or redundant circuit and shall conduct own evaluation test.

It is highly recommended that you shall follow our "Cautions for using"

Also it is recommended that you shall obtain technical specifications from Elna Co., Ltd to ensure that the component is suitable for your intended use.

It is not our responsibility for any kind of problems without technical specifications.

Specifications and dimensions shown in this catalog are subject to change without prior notice.

Be sure to read “Cautions for Using Electrolytic Capacitors”, before using those products.

1	Aluminum Electrolytic Capacitors	— 5	
	Polymer hybrid type Electrolytic Capacitors		POLYMER HYBRID
	Aluminum Electrolytic Capacitors With Conductive Polymer Solid Electrolyte	— 21	
	Chip Type Aluminum Electrolytic Capacitors	— 53	CHIP ALUMINUM
	Miniature Aluminum Electrolytic Capacitors	— 89	MINIATURE ALUMINUM
	Large Capacitance Aluminum Electrolytic Capacitors	— 139	LARGE ALUMINUM
	Aluminum Electrolytic Capacitors for Audio	— 163	FOR AUDIO ALUMINUM
2	Electric Double Layer Capacitors “DYNACAP” , “POWERCAP”	— 187	EDLC
3	Plastic film Capacitors	— 229	PLASTIC FILM

■ “GREEN CAP”

“GREEN CAP”, ELNA considers the global environment and it is a product that doesn't use the hazardous substance and “Lead Free” in the plating of terminals and outer Sleeves.

The product in this catalog is 'GREEN CAP'.

The hazardous substance is

Pb : lead, Cr⁶⁺ : hexavalent chromium, Hg : mercury and Cd : cadmium,
PBB : the polybrominated biphenyl, PBDE : the polybromo-diphenyl ether,

■ Regarding to various environmental Regulations

- It suits “EU RoHS Directives”.
 - According to the content of RIP3.8TGD(Technical Guidance Document which is published on 26 May 2008), our electronic components are “articles without any intended release”.
- Therefore they are not applicable for “Registration” for EU REACH Regulation Article 7 (1).
- ELNA develops the products without substance of very high concern(SVHC). DEHP(CASNo.117-81-7) was contained as some covering material.
- If you need “Halogen-Free” products, please consult with us.

Terminal area plating material and sleeve material

● Aluminum electrolytic capacitors

Category		Terminal area plating	Plating thickness	Sleeve
SMD (Chip type)	φ 3 to 6.3	Sn-Bi	12μm	Sleeve less
	φ 8,10	Sn-Bi	12μm	PET or sleeve less
	φ 12.5	Sn 100%	12μm	PET or sleeve less
	φ 16 to 18	Sn 100%	12μm	Sleeve less
	Supplementary terminal of RT* type	Sn 100%	12μm	PET or sleeve less
	Supplementary terminal of RY* type	Sn 100%	12μm	Sleeve less
Lead terminal		Sn 100%	12μm	PET or sleeve less
Snap-in		Sn 100%	12μm	PET
Screw terminal		—		PVC *

* Pb less PVC

● Electric double layer capacitors

Category		Terminal area plating	Plating thickness	Sleeve	
Coin cell	SMD	Single cell	Sn 100%	5μm	Sleeve less
		Piled cell	Sn 100%	5μm	PET
	Lead type		Sn 100%	5μm	PET
Large capacitance	Lead terminal		Sn 100%	12μm	PET
	Snap-in terminal		Sn 100%	12μm	PET
	Screw terminal		—		PET

Note : Sn : Tin Bi : Bismuth

Please inquire when hoping excluding the above-mentioned terminal plating and sleeve.

■ **About the Sn whisker**

1. Sn whisker-generating mechanism on the lead wire

On the surface of the lead wire, Sn and aluminum will get mixed instead of getting dissolved.

The surface condition is complex, aluminum will expand due to the heat and humid causing the oxidation and hydration. This reaction will cause the inner stress and influence the development of the whisker.

2. Generation control of the Sn whisker

In the past, Sn whisker was reduced by adding a lead(Pb). Aluminum electrolytic capacitor was also using the Sn-plate with Pb on the lead wire.

But due to environmental regulation such as the “ELV” and “RoHS”, Pb was strictly prohibited since 2000.

Lead wire not containing the Pb was used, which caused the Sn whisker problem to happen again.

Since Sn whisker is influenced by the mixture of aluminum, method of reducing the aluminum on the welding surface was to clean the lead terminal using the alkali.

However since the welding area of the large case size is larger compared to the small ones, whisker will generate even if it is cleaned by alkali. This whisker will scatter outside of the capacitor and potentially cause the short-circuit. Countermeasure of keeping the whisker inside the capacitor is being discussed.

3. Prevention of scattering of Sn whisker

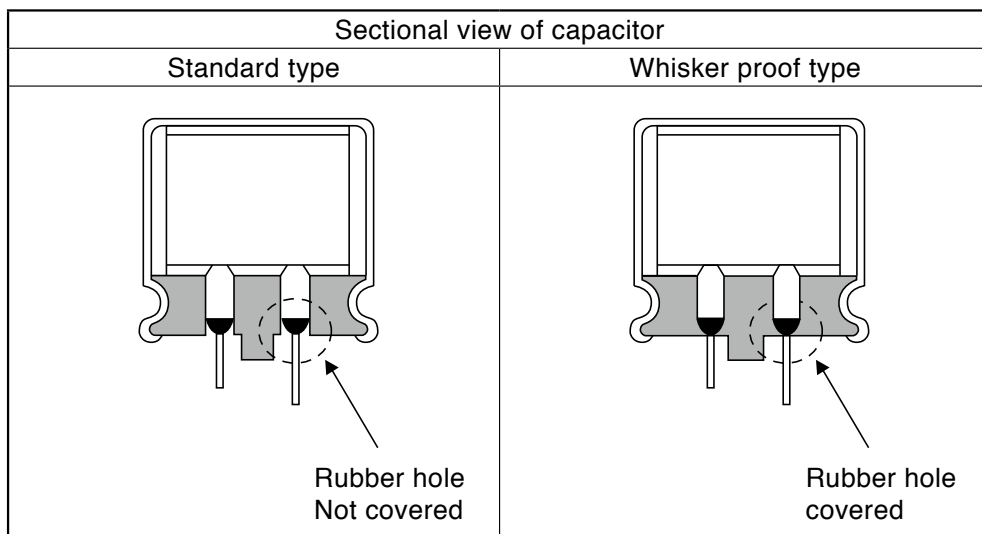
In the past Sn-plate with Pb was used and recently plate with Bi is being introduced to prevent the whisker from generating. However the whisker will still generate under the temperature and moisture condition.

Therefore, the current method of preventing the whisker will not completely prevent the whisker from generating.

In our company, we are developing and supplying products with design of preventing the whisker from scattering outside the capacitor.

This design corresponds to series such as the RJD and RJE for 105°C use, RKD and RPK for 125°C use.

If it is required for the other series, please feel free to make an inquiry.



Ordering Information

Please designate the number of capacitors you order in integral multiples of the minimum packing number of units.

Aluminum Electrolytic Capacitors

Classification	Case Size φD×L (mm)	Quantity (PCS.)								
		Long lead		Forming lead		Taping (flat box)		Taping (reel)		
		Vinyl bag	Packaging box	Vinyl bag or small box	Packaging box	Box	Packaging quantity	One reel	Packaging quantity	
Aluminum Electrolytic Capacitors With Conductive Polymer Solid Electrolyte Conductive Polymer Hybrid Aluminum Electrolytic Capacitors	Chip Type	φ5 to φ6.3×4.0 to 7.7	—	—	—	—	—	—	1,000	5,000
		φ8×6.7 to 7.7	—	—	—	—	—	—	1,000	4,000
		φ8×8.7 to 10.5,φ10	—	—	—	—	—	—	500	2,000
	O4 Type	φ6.3×8	200	2,000	200	2,000	2,000	20,000	—	—
		φ8×8	200	2,000	200	2,000	1,000	10,000	—	—
	φ10×12.5	200	1,000	200	1,000	500	5,000	—	—	
Chip Type	φ3,φ4	—	—	—	—	—	—	2,000	10,000	
	φ5 to φ6.3×4.5 to 7.7,φ8×6.5	—	—	—	—	—	—	1,000	5,000	
	φ8 to φ10×10 to 10.5	—	—	—	—	—	—	500	2,000	
	φ12.5×13.5	—	—	—	—	—	—	200	1,000	
	φ16×16.5,φ18×16.5	—	—	—	—	—	—	125	250	
	φ16×21.5,φ18×21.5	—	—	—	—	—	—	75	150	
	9.5×19 to 24	—	—	—	—	—	—	400	(2,000)	
O4 Type	φ3 to φ5×5,φ4×7	200	2,000	200	5,000	2,000	20,000	—	—	
	φ5×7	200	2,000	200	4,000	2,000	20,000	—	—	
	φ6.3×5,φ6.3×7	200	2,000	200	2,000	2,000	20,000	—	—	
	φ8×5 to 7	200	2,000	200	2,000	1,000	10,000	—	—	
	φ5 to φ6.3×11,11.5	200	2,000	200	2,000	2,000	20,000	—	—	
	φ8×11.5,12	200	2,000	200	2,000	1,000	10,000	—	—	
	φ8×15	200	1,000	200	1,000	1,000	8,000	—	—	
	φ8×20	200	1,000	200	1,000	1,000	8,000	—	—	
	φ10×12.5	200	1,000	200	4,000	500	5,000	—	—	
	φ10×16	200	1,000	200	1,000	500	4,000	—	—	
	φ10×20	200	1,000	100	500	500	4,000	—	—	
	φ10×25 to 30	200	1,000	100	500	500	3,000	—	—	
	φ12.5×15 to 20	100	1,000	100	500	500	4,000	—	—	
	φ12.5×25	100	500	100	1,000	500	2,000	—	—	
	φ12.5×30	100	500	200	2,000	500	3,000	—	—	
	φ12.5×35	100	500	200	2,000	500	2,000	—	—	
	φ12.5×40	100	500	200	2,000	—	—	—	—	
	φ16×16 to 25	100	500	100	1,000	250	1,000	—	—	
	φ16×31.5 to 35.5	50	200	100	1,000	250	2,000	—	—	
	φ16×40	50	100	100	800	—	—	—	—	
	φ18×16	50	100	100	1,000	250	1,000	—	—	
	φ18×20 to 25	50	100	100	1,000	250	1,500	—	—	
φ18×31.5 to 35.5	50	100	100	1,000	—	—	—	—		
φ18×40	50	250	100	800	—	—	—	—		
φ20×25 to 35.5	50	100	100	1,000	—	—	—	—		
φ20 to 22×40	50	250	100	800	—	—	—	—		
69□Type	φ22 to φ25	—	100	—	—	—	—	—	—	
	φ30 to φ35	—	50	—	—	—	—	—	—	
331Type or Others	φ36 to φ101	—	*	—	—	—	—	—	—	

* Please inquire.

Electric Double Layer Capacitors

Series	Case size φD×L(mm)	Quantity (PCS.)							
		Long lead		Standard lead		Taping (flat box)		Taping (reel)	
		Vinyl bag	Packaging box	Vinyl bag	Packaging box	Box	Packaging quantity	One reel	Packaging quantity
DX,DXJ,DXN,DXS(H or V Terminal)	φ11.5	—	—	200	2,000	—	—	—	—
DX,DXJ,DXN(V Terminal)	φ19	—	—	100	500	—	—	—	—
DH,DHL,DHC,DBJ	φ13.5	—	—	200	1,000	—	—	—	—
DK,DB,DBN,DBS	φ21.5	—	—	100	500	—	—	—	—
DC,DCK	φ6.8	—	—	200	6,000	—	—	—	—
DS,DSK	φ4.8	—	—	—	—	—	—	2,000	10,000
	φ6.8	—	—	—	—	—	—	1,500 to 2,000*	6,000 to 10,000*
DVN	φ12.5×8.5	—	—	—	—	—	—	300	1,500
DVL	φ12.5×10.5	—	—	—	—	—	—	250	1,250
Series	Case size φD×L(mm)	Quantity (PCS.)							
		Long lead		Forming lead		Taping (flat box)		Taping (reel)	
		Vinyl bag	Packaging box	Vinyl bag or small box	Packaging box	Box	Packaging quantity	One reel	Packaging quantity
DY DZ DZN DZH	φ6.3,φ8×12	200	2,000	200	2,000	2,000	10,000	—	—
	φ8×15 to 22	200	1,000	200	1,000	1,000	8,000	—	—
	φ10×20	200	1,000	100	500	500	4,000	—	—
	φ10×30 to 35	200	1,000	100	500	500	3,000	—	—
	φ12.5×23	100	500	100	1,000	500	2,000	—	—
	φ12.5×31.5	100	500	200	2,000	500	2,000	—	—
	φ16×20 to 25	100	500	100	1,000	250	1,000	—	—
	φ16×31.5 to 35.5	50	200	100	1,000	250	2,000	—	—
	φ18×35	50	100	100	1,000	—	—	—	—
	φ18×40	50	250	100	800	—	—	—	—
DP	φ25	—	50 or 100*	—	—	—	—	—	—
	φ35	—	50 or 100*	—	—	—	—	—	—
DZP	8.5×17×16	—	—	—	—	—	—	—	—
	8.5×17×24	—	—	—	—	—	—	—	—
	10.5×21×34	—	—	—	—	—	—	—	—
	10.5×21×39	—	—	—	—	—	—	—	—

* Please inquire.

ELNA[®]

Aluminum Electrolytic Capacitors

List of Contents

1. Type List for Aluminum Electrolytic Capacitors	6
2. Systematized Classification of Aluminum Electrolytic Capacitors	8
3. Product Symbol System for Aluminum Electrolytic Capacitors	10
4. Recommended Land Pattern and Size, for Chip Type	11
5. Recommended Soldering Conditions	12
6. Recommended Taping for Chip Type	14
7. Lead Forming and Taping for Lead Type	15
8. Cautions for Using Aluminum Electrolytic Capacitors With Conductive Polymer Solid Electrolyte	22
9. Specifications for Polymer Hybrid Type Aluminum Electrolytic Capacitors by Series	26
10. Specifications for Aluminum Electrolytic Capacitors With Conductive Polymer Solid Electrolyte by Series	30
11. Cautions for Using Aluminum Electrolytic Capacitors	48
12. Specifications for Chip Type Aluminum Electrolytic Capacitors by Series	53
13. Specifications for Miniature Aluminum Electrolytic Capacitors by Series	89
14. Specifications for Large Aluminum Electrolytic Capacitors by Series	139
15. Specifications for Aluminum Electrolytic Capacitors for Audio by series	163
16. Technical Notes of Aluminum Electrolytic Capacitors	178



■ Type List for Miniature and Chip Type Aluminum Electrolytic Capacitors

★ : New series
☆ : Upgrade

Category	Series	Page	Applications	Feature								Category Temp. Range °C		Rated Voltage Range V.DC		Rated Capacitance Range µF		Color of sleeve	JIS Configuration	Note	
				Thin and small Size					Low Impedance	For Audio	Anti-cleaning solvent										Reflow Solder Resistance
				Reliability at 105°C																	
				1000hrs	2000hrs	3000hrs	5000hrs	10000hrs or more			Max.	Min.	Max.	Min.							
Hybrid Polymer	HV	26	Low ESR Hybrid Polymer Chip				•	•						+ 105	- 55	80	25	22 to 330	Silver		★
	HT	26	Low ESR Hybrid Polymer Chip, Vibration resistance				•	•						+ 105	- 55	80	25	22 to 330	Silver		★
	HVK	28	Low ESR, High Temp. Hybrid Polymer Chip					•	•					+ 125	- 55	63	25	22 to 330	Silver		★
	HTK	28	Low ESR, High Temp. Hybrid Polymer Chip, Vibration resistance					•	•					+ 125	- 55	63	25	33 to 330	Silver		★
Polymer	PVG	30	Ultra Low ESR Conductive Polymer Chip		•				•		•	•	+ 105	- 55	6.3	2.5	120 to 1200	Silver	32		
	PVX	32	Ultra Low ESR Conductive Polymer Chip		•				•		•	•	+ 105	- 55	10	2.5	100 to 1200	Silver	32		
	PV3	34	Super Low ESR Conductive Polymer Chip, 4.0mmL	•	•				•		•	•	+ 105	- 55	6.3	2.5	150 to 220	Silver	32	★	
	PV2	36	Super Low ESR Conductive Polymer Chip, 4.5mmL	•	•				•		•	•	+ 105	- 55	25	2.5	15 to 390	Silver	32		
	PVM	38	Super Low ESR Conductive Polymer Chip		•				•		•	•	+ 105	- 55	35	2.5	10 to 1200	Silver	32		
	PVH	—	Low ESR Conductive Polymer Chip		•				•		•	•	+ 105	- 55	35	2.5	10 to 1000	Silver	32		
	PVK	40	Super Low ESR, High Temp. Conductive Polymer Chip			•			•		•	•	+ 125	- 55	25	2.5	33 to 1000	Silver	32		
	PVS	42	Super Low ESR, High Voltage Conductive Polymer Chip		•				•		•	•	+ 105	- 55	63	35	18 to 100	Silver	32		
	PRM	44	Super Low ESR Conductive Polymer		•				•		•	•	+ 105	- 55	10	2.5	220 to 1500	Silver	04		
Surface Mounting Type	RV2	—	5.5mm L	•							•	•	+ 85	- 40	50	4	0.22 to 220	Silver	32		
	RV	—	Higher Capacitance Range	•							•	•	+ 85	- 40	100	6.3	10 to 2200	Silver/Brown	32		
	RV3	—	High CV	•							•	•	+ 85	- 40	50	6.3	4.7 to 330	Silver	32		
	RV4	56	4.5mm L	•							•	•	+ 85	- 40	50	6.3	0.22 to 100	Silver	32		
	RV5	54	High CV	•							•	•	+ 85	- 40	100	6.3	2.2 to 2200	Silver/Brown	32	☆	
	RVB	57	Non Polarized	•							•	•	+ 85	- 40	50	6.3	0.22 to 47	Silver	32		
	RVE	82	105°C , 4.5mmL	•	•						•	•	+ 105	- 40	50	6.3	0.22 to 100	Silver	32		
	RVS	58	105°C , 5.5mm L	•	•						•	•	+ 105	- 55	50	6.3	0.22 to 1500	Silver	32		
	RVL	60	Long Life, 105°C , 6.0mm L	•	•						•	•	+ 105	- 55	50	6.3	0.22 to 100	Silver	32		
	RVR	62	105°C , Long Life, High CV	•	•						•	•	+ 105	- 40	50	4	0.22 to 1500	Silver	32		
	RVJ	61	105°C , Higher Capacitance		•						•	•	+ 105	- 55	100	6.3	10 to 1000	Silver/Brown	32		
	RVC	64	105°C , 3000h/5000h			•	•				•	•	+ 105	- 40	50	6.3	0.33 to 1000	Silver	32		
	RVD	66	105°C , Low Impedance, Long life		•	•			•		•	•	+ 105	- 55	100	6.3	4.7 to 2200	Silver	32	☆	
	RZD	68	105°C , Low Impedance, High CV		•				•		•	•	+ 105	- 55	35	6.3	100 to 2200	Silver	32	★	
	RVV	70	105°C , Low Impedance, Long life		•				•		•	•	+ 105	- 55	35	6.3	4.7 to 1500	Silver	32	☆	
	RVZ	72	105°C , Low Impedance		•				•		•	•	+ 105	- 55	35	6.3	4.7 to 2700	Silver/Brown	32		
	RZF	74	125°C , Low ESR, Long Life, High CV	•				•			•	•	+ 125	- 40	35	10	47 to 680	Silver	32	★	
	RZE	76	125°C , Low ESR, High CV	•			•				•	•	+ 125	- 40	35	35	47 to 100	Silver	32	★	
	RVT	78	125°C , Low ESR	•			•				•	•	+ 125	- 40	100	10	4.7 to 1000	Silver	32	☆	
	RVK	80	125°C , Higher Reliability				•				•	•	+ 125	- 40	63	10	10 to 1000	Brown	32		
	RVX	81	135°C , Higher Reliability				•	•			•	•	+ 135	- 40	35	25	22 to 330	Silver	32		
	RVI	83	105°C , Non Polarized, 2000h	•	•						•	•	+ 105	- 40	50	6.3	0.33 to 47	Silver	32		
	RTJ	—	105°C , Higher Capacitance, Vibration resistance		•						•	•	+ 105	- 55	100	6.3	10 to 470	Brown	32		
	RTK	84	125°C , Vibration resistance				•				•	•	+ 125	- 40	63	10	10 to 330	Brown	32		
RTZ	85	105°C , Low Z, High CV, 30G Vibration resistance		•	•					•	•	+ 105	- 55	35	6.3	150 to 8200	Silver	32	☆		
RTD	86	105°C , Low Z, High CV, 30G Vibration resistance				•				•	•	+ 105	- 55	100	6.3	100 to 8200	Silver	32	☆		
RTT	87	125°C , Low ESR, High CV, 30G Vibration resistance				•	•			•	•	+ 125	- 40	100	10	47 to 4700	Silver	32	☆		
RYK	88	125°C , Horizontal type				•				•	•	+ 125	- 40	63	6.3	56 to 820	Black	88			
Ultra-miniature Type	RC3	90	5mm L, Standard	•									+ 85	- 40	50	4	0.22 to 470	Black/Blue	04		
	R3S	91	5mm L, 105°C	•	•						•		+ 105	- 55	50	6.3	0.33 to 100	Black	04		
	RB3	92	5mm L, Bipolar	•									+ 85	- 40	50	6.3	0.33 to 47	Blue	04		
	RC2	93	7mm L, Standard	•							•		+ 85	- 40	100	4	0.33 to 330	Blue	04		
	R2S	94	7mm L, 105°C	•	•						•		+ 85	- 55	50	6.3	0.33 to 100	Black	04		
	RB2	95	7mm L, Bipolar	•							•		+ 85	- 40	50	6.3	0.33 to 47	Blue	04		

■ Type List for Miniature and Large type Aluminum Electrolytic Capacitors

○ : Apply to those capacitors with rated voltage of 250V or less.

★ : New series

☆ : Upgrade

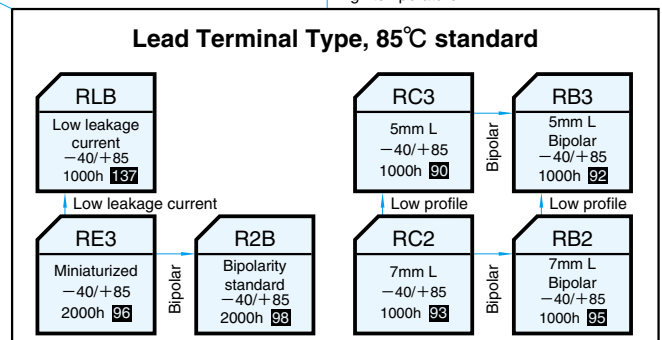
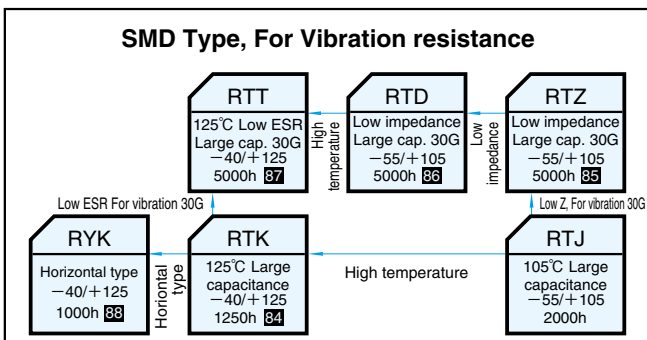
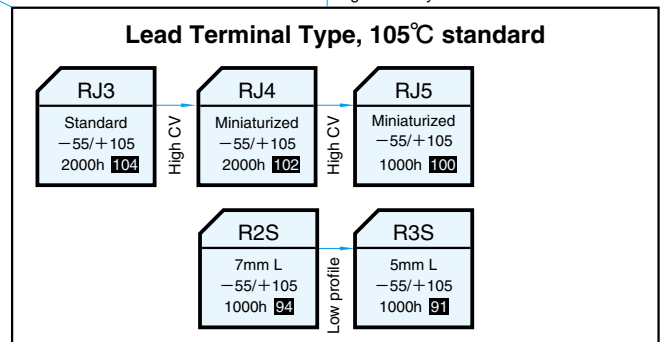
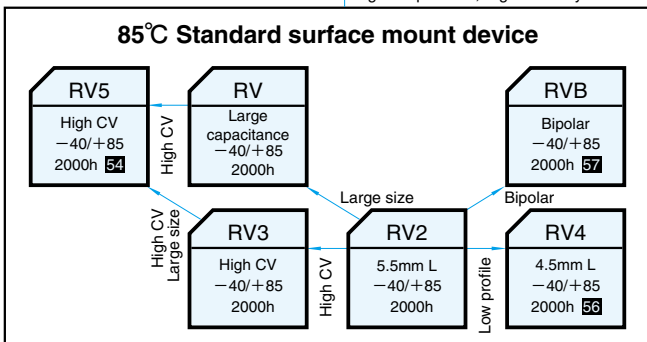
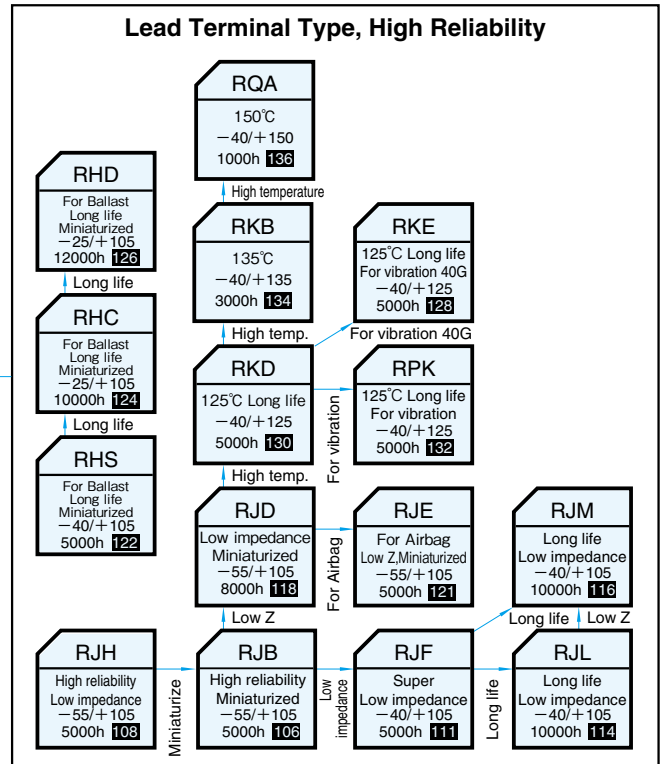
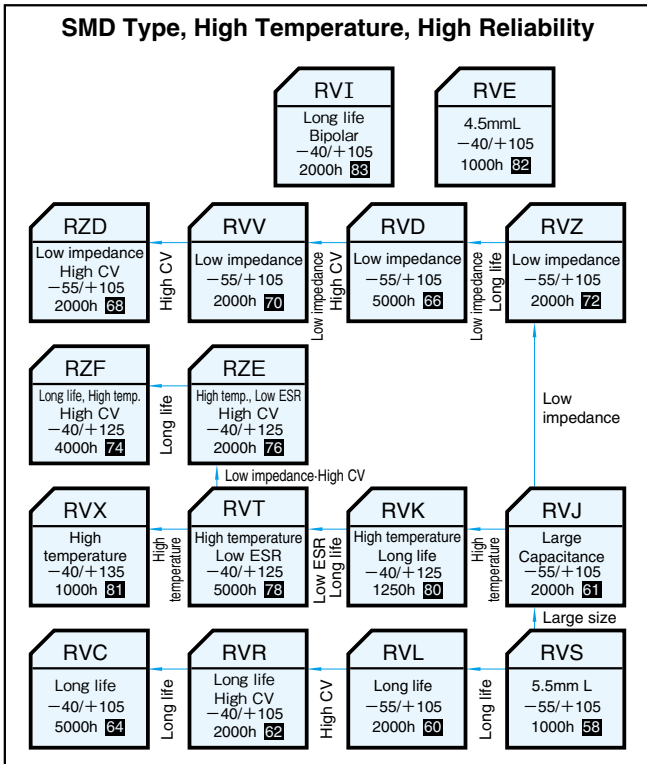
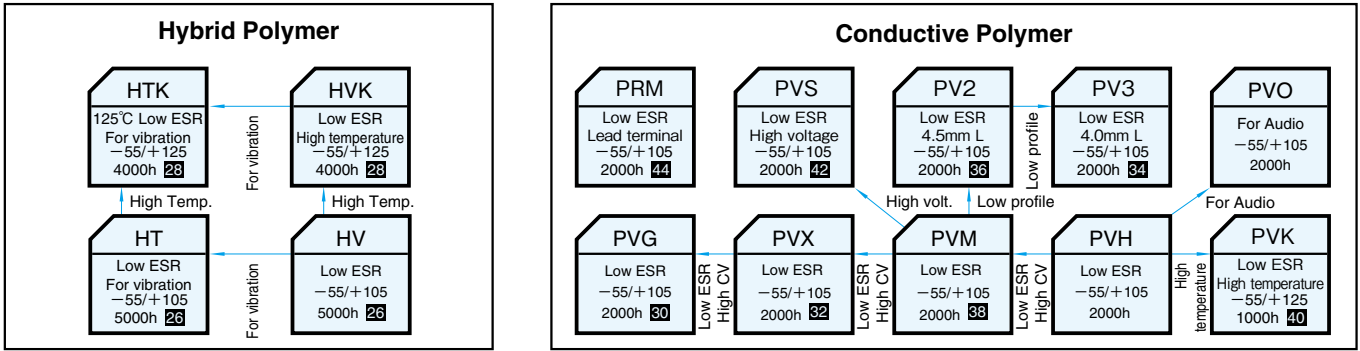
Category	Series	Page	Applications	Thin and small Size	Feature						Category Temp. Range °C		Rated Voltage Range V.DC		Rated Capacitance Range μF	Color of sleeve	JIS Configuration	Note			
					Reliability at 105°C					Low Impedance	For Audio	Anti-cleaning solvent	Reflow Solder Resistance	Max.					Min.	Max.	Min.
					1000hrs	2000hrs	3000hrs	5000hrs	10000hrs or more												
Standard Type	RE3	96	Miniaturized Standard	•																	
	R2B	98	Bipolarity Standard																		
	RJP	99	105°C , Bipolar		•																
	RJ5	100	105°C , Miniaturized, High CV	•	•																
	RJ4	102	105°C , Miniaturized	•	•																
	RJ3	104	105°C , Low Impedance		•																
Special Type	RLB	137	Low-leakage Current																		
High Reliability Type	RJB	106	105°C , Low Impedance, Miniaturized				•	•	•												
	RJH	108	105°C , Extra Low Impedance				•	•	•												
	RJF	111	105°C , Extra Low Impedance, Miniaturized				•	•	•												
	RJL	114	105°C , Long life, Low Impedance	•			•	•	•												
	RJM	116	105°C , Long life, Low Impedance	•			•	•	•									★			
	RJD	118	105°C , Low Impedance, High Ripple, Miniaturized	•			•	•	•									☆			
	RJE	121	105°C , Low Impedance, High Ripple, For Airbag	•			•	•	•												
	RHS	122	105°C , Long Life, High Ripple, For Ballast	•			•											☆			
	RHC	124	105°C , Long Life, High Ripple, For Ballast	•			•											☆			
	RHD	126	105°C , Long Life, High Ripple, For Ballast	•			•											☆			
	RKE	128	125°C , Low Impedance, 40G Vibration resistance	•			•	•	•									★			
	RKD	130	125°C , Low Impedance, Miniaturized	•			•	•	•									☆			
	RPK	132	125°C , Low Impedance, 30G Vibration resistance	•			•	•	•									☆			
	RQA	136	150°C , Low Impedance, Miniaturized	•			•	•	•									☆			
RKB	134	135°C , Low Impedance, Miniaturized	•			•	•	•									☆				
Snap-in Type	LA5	140	Miniaturized	•																	
	LAT	142	105°C , Miniaturized	•	•													☆			
	LAH	144	105°C , Standard	•	•													☆			
	LAZ	146	High-Reliability, High Ripple, Long Life	•			•														
	LAX	148	105°C , Ultra Long Life				•											☆			
	LJ6	150	105°C , Higher Capacitance, Ultra Long Life				•														
	LJ2	150	105°C , Higher Capacitance, Ultra Long Life				•														
Special Type	LPM	152	High ripple current																		
	LM	152	High ripple current, Higher Capacitance																		
Screw terminal Type	LYX	154	105°C , Ultra Long Life				•														
	LYL	156	Ultra Long Life																		
	LY6	158	High Ripple, Miniaturized	•																	
	LY5	160	Standard																		
For Audio	RVO	164	Chip Type (PURECAP)	•																	
	RVF	165	Chip Type (SILMIC)	•																	
	RVM	166	Chip Type 105°C , 2000h	•	•																
	RVW	167	Chip Type 105°C (PURECAP)	•	•																
	RVG	168	Chip Type	•																	
	RFS	169	High Grade (SILMIC II)																		
	ROS	170	High Grade (SILMIC)																		
	ROB	171	Miniaturized Standard (TONEREX)																		
	R2A	—	7mmL	•																	
	R3A	—	5mmL	•																	
	RFO	172	Standard (PURECAP)	•																	
	RA3	173	Miniaturized Standard	•																	
	RW5	174	105°C , Miniaturized	•	•																
	RBD	175	Miniaturized Bipolar	•																	
LAO	176	For Audio, Higher Capacitance																			

* Be sure to "Cautions for Using Aluminum Electrolytic Capacitors", before using these products.

Some series of the following series were omitted from this catalog.
 RV2, RV, RV3, RTJ, RJJ, RK, LH7, LAV, LUH, PVH, PVO, ROA, R2A, R3A

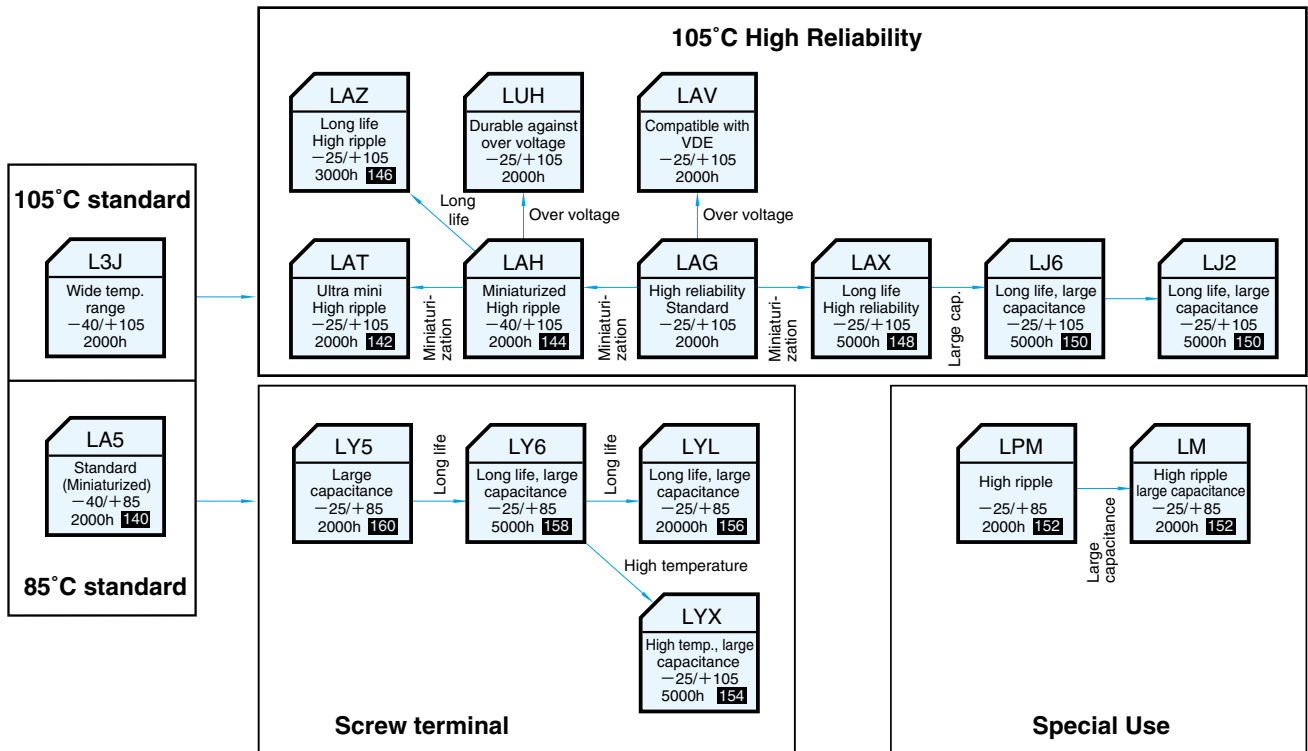
NOTE : Design, Specifications are subject to change without notice.
 It is recommended that you shall obtain technical specifications from ELNA to ensure that the component is suitable for your use.

Systematized Classification of Miniature and Chip Type Aluminum Electrolytic Capacitors

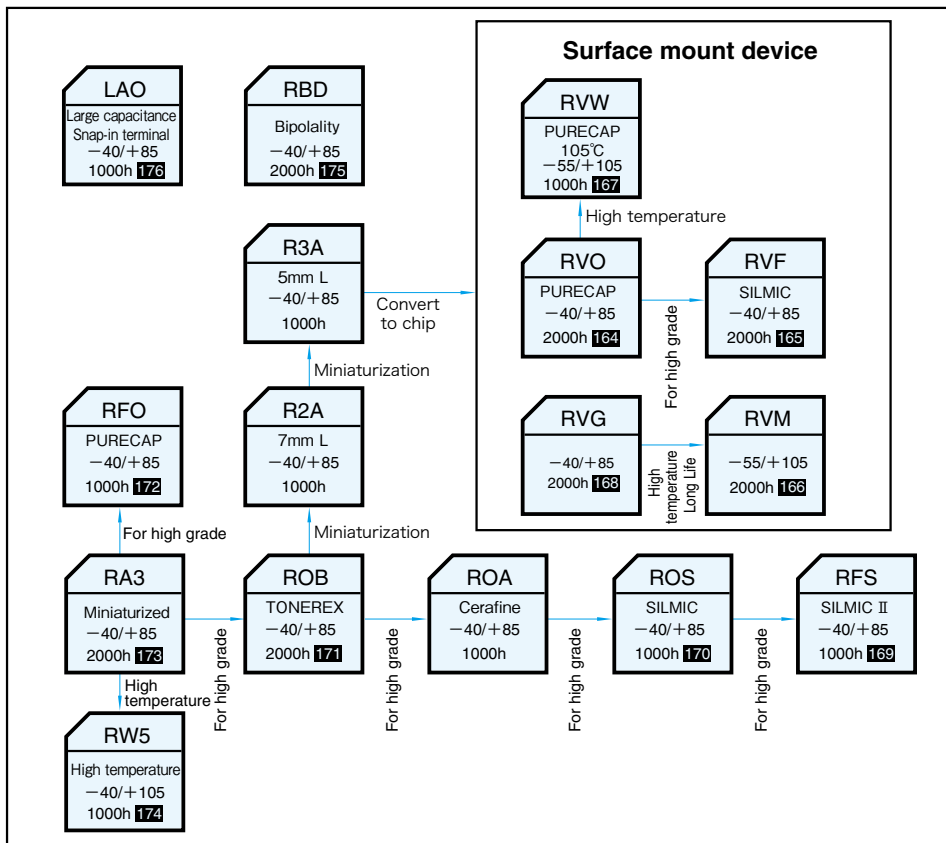


NOTE : Design, Specifications are subject to change without notice. It is recommended that you shall obtain technical specifications from ELNA to ensure that the component is suitable for your use.

Systematized Classification of Large Aluminum Electrolytic Capacitors

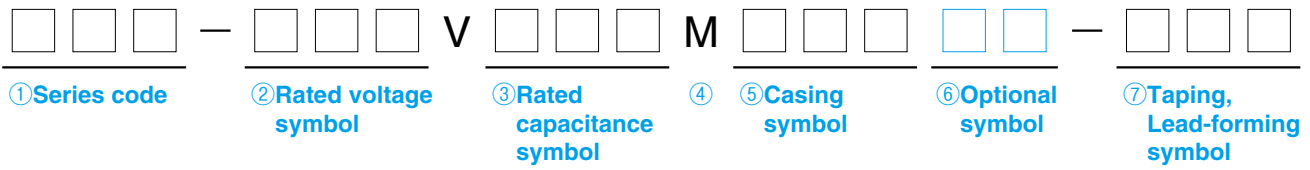


Systematized Classification of Aluminum Electrolytic Capacitors For Audio



NOTE : Design, Specifications are subject to change without notice. It is recommended that you shall obtain technical specifications from ELNA to ensure that the component is suitable for your use.

■ Product Symbol System for Aluminum Electrolytic Capacitors



① Series code

Please refer to the page of each series.

② Rated voltage symbol

Write down the rated voltage itself ; however, write 2R5 for 2.5V, 6 for 6.3V.

③ Rated capacitance symbol

The symbol denoting nominal capacitance shall consist of three numerals. The first and second numerals shall represent the significant figures of nominal capacitance in the unit of microfarad (μF). And the third numeral shall represent the number of zeros following the significant figures. A decimal point is expressed with "R."

Example

Rated capacitance (μF)	Symbol
0.1	R10
1	010
2.2	2R2
33	330
100	101
2200	222
33000	333
470000	474

④ Capacitance tolerance symbol

Example

Capacitance tolerance	Symbol
±10%	K
±20%	M
-10 to +30%	Q
-10 to +50%	T

⑤ Casing symbol

Please refer to the page of each series.

⑥ Optional symbol

Plating or others are expressed.

Example

Symbol	Contents
#	Sn 100% plating +PET sleeve (lead terminal type)
U	Sn-Bi plating (chip type)
T	Sn 100% plating (chip type)
Q	Based on AEC-Q200
N	Based on AEC-Q200

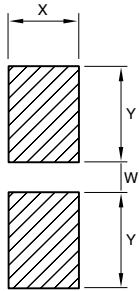
⑦ Taping, Lead-forming symbol

Write down one of the forming symbols given on page 14 to 17 for taping and lead-forming capacitors. When taping or lead-forming is not necessary, leave the boxes blank.

Recommended land pattern and size

(Vertical chip type)

● Standard type



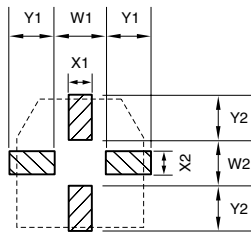
(Unit : mm)

Case Size φD×L	Land Size			Thickness of Solder paste
	X	Y	W	
3×5.3	1.6	2.2	0.8	0.15
4×4.5, 5.3, 5.7, 5.8	1.6	2.6	1.0	0.15
5×4.0, 4.5, 5.3, 5.7, 5.8	1.6	3.0	1.4	0.15
6.3×4.5, 5.3, 5.7, 5.8	1.6	3.6	1.9	0.15
6.3×7.7	1.6	3.6	1.9	0.15
8×6.5, 6.7, 7.7, 8.7	1.6	4.0	2.1	0.15
8×10, 10.5	2.5	*3.5	*3.0	0.15
10×7.7, 8.7, 10, 10.5	2.5	*4.0	*4.0	0.15
12.5×13.5	3.2	6.0	4.0	0.15

* For Vibration resistance use
 φ8×6.5 Y=4.5 W=1.0
 φ8×10, φ8×10.5 Y=4.0 W=2.5
 φ10×10, φ10×10.5 Y=4.5 W=3.0

● For vibration resistance type

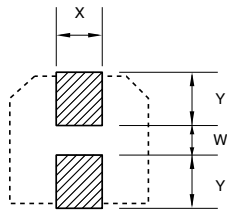
RTJ, RTK series



(Unit : mm)

Case Size φD×L	Land Size						Thickness of Solder paste
	X1	X2	Y1	Y2	W1	W2	
8×10	2.5	2.5	3.0	3.5	4.0	3.0	0.20
10×10.5	2.5	2.5	4.0	4.5	4.0	3.0	0.20

RTZ, RTD, RTT, HT, HTK series

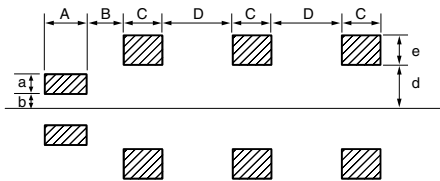


(Unit : mm)

Case Size φD	Land Size			Thickness of Solder paste
	Y	W	X	
8	4.0	2.5	5.0	0.20
10	4.8	3.6	5.0	0.20
12.5	6.6	3.2	7.0	0.20
16	7.8	5.0	10.5	0.20
18	8.8	5.0	10.5	0.20

(Horizontal chip type)

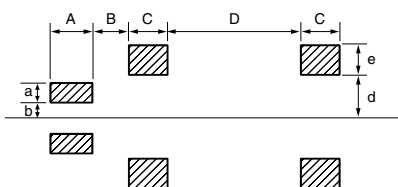
● □9.5×24.0 (8 pin type)



(Unit : mm)

	8 pin
A	4.0
B	1.0
C	3.0
D	5.5
a	1.5
b	1.0
d	3.0
e	2.0
Thickness of Solder paste	0.15

● □9.5×19.0 (6 pin type)



(Unit : mm)

	6 pin
A	4.0
B	1.0
C	3.0
D	9.0
a	1.5
b	1.0
d	3.0
e	2.0
Thickness of Solder paste	0.15

■ Recommended soldering conditions

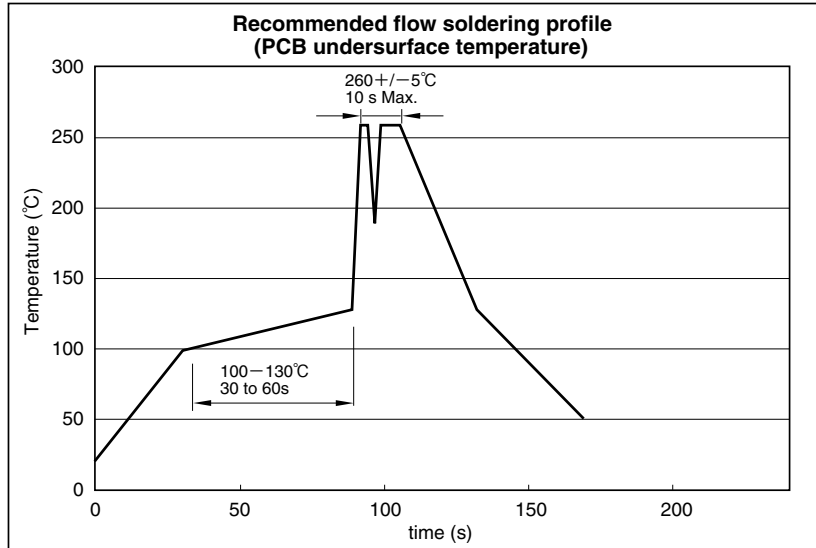
● Aluminum electrolytic capacitors (Lead free)

(1) Soldering iron conditions

Iron tip temperature shall be $400^{\circ}\text{C} \pm 5^{\circ}\text{C}$ within the duration of $3^{\frac{1}{2}}$ seconds.

(2) Flow soldering conditions

The recommendation soldering conditions of the product in which flow soldering is possible are as graph.



Caution for Using aluminum Electrolytic Capacitors

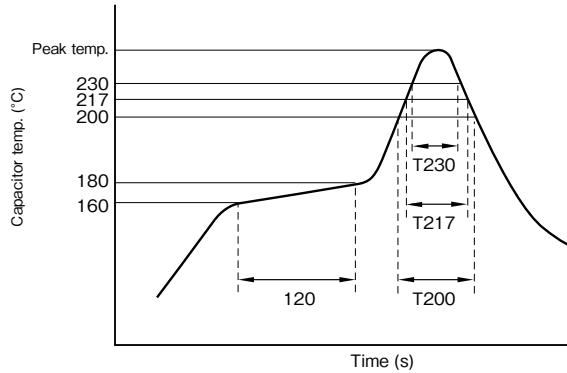
- (1) Do not dip the capacitor into melted solder.
- (2) Do not flux other part than the terminals.
- (3) If there is a direct contact between the sleeve of the capacitor and the printed circuit pattern or a metal part of another component such as a lead wire, it may cause shrinkage or crack.
- (4) If the application is for extended use, understand and manage the soldering characteristics to avoid abnormal current caused by a contact failure between the capacitor and the PCB.
- (5) Please refer to cautions for using on page 48 to 51 and product specifications about other notes.

■ Recommended soldering conditions

● Chip type aluminum electrolytic capacitors (Lead free)

- (1) Soldering iron conditions
Iron tip temperature shall be 400°C±5°C within the duration of 3^{±1} seconds.
- (2) Reflow soldering conditions

Profile



- 1. Preheating shall be under 180°C within 120 seconds.
- 2. Peak temperature shall be within the following table.
- 3. For conditions exceeding the tolerances, consult with us.

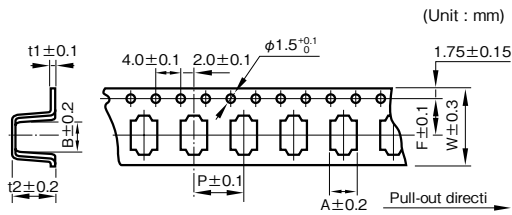
T200 : Duration while capacitor head temperature exceeds 200°C (s)
 T217 : Duration while capacitor head temperature exceeds 217°C (s)
 T230 : Duration while capacitor head temperature exceeds 230°C (s)
 The measurement temperature point is the case top.

Series	Size	Peak temp. (5sec or less)	T230	T217	T200	Reflow cycle
RV5, RVB, RVE, RVS, RVL, RVR, RVC, RVD, RZD, RVV, RVZ, RZF, RZE, RVT, RVX, RVI, RV, RV2, RV3, HV, HVK, HT, HTK, PVG, PVX, PV3, PV2, PVM, PVK, PVS, PVH	φ 4 to φ 6.3	250°C Max.	40 sec. max.	50 sec. max.	60 sec. max.	2 times or less
	φ 8 to φ 10	240°C Max.	40 sec. max.	50 sec. max.	60 sec. max.	2 times or less
	φ 12.5	240°C Max.	20 sec. max.	30 sec. max.	50 sec. max.	2 times or less
RV4	φ 4 to φ 5	250°C Max.	40 sec. max.	50 sec. max.	60 sec. max.	2 times or less
	φ 6.3	240°C Max.	40 sec. max.	50 sec. max.	60 sec. max.	2 times or less
RVJ, RVK	φ 8 to φ 10	240°C Max.	40 sec. max.	50 sec. max.	60 sec. max.	2 times or less
	φ 12.5	230°C Max.	—	20 sec. max.	30 sec. max.	2 times or less
RZA, RZB, RZC	φ 4 to φ 6.3	260°C Max.	40 sec. max.	90 sec. max.	—	2 times or less
	φ 8 to φ 10	250°C Max.	40 sec. max.	90 sec. max.	—	2 times or less
RTZ, RTD, RTT	φ 8 to φ 10	250°C Max.	30 sec. max.	60 sec. max.	80 sec. max.	2 times or less
	φ 12.5 to φ 18	240°C Max.	20 sec. max.	30 sec. max.	50 sec. max.	2 times or less
RTK, RYK, RTJ	—	230°C Max.	—	20 sec. max.	30 sec. max.	2 times or less

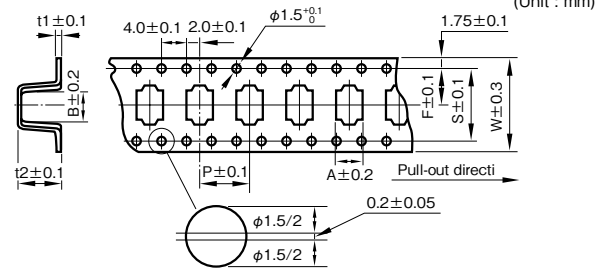
*Please ensure that the capacitor became cold enough to the room temperature (5 to 35°C) before the second reflow.

■ Taping

■ Carrier tape dimension (taping polarity R)

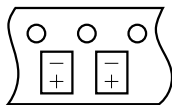


● Series RYK, RV, RVJ, RVZ, RVK (φ12.5), RTZ, RTD, RTT (φ12.5 to 18)

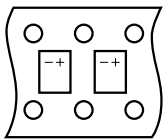


■ Taping polarity

(The all series except RVB and RYK)



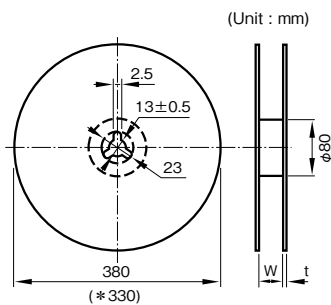
(Series RYK)



(Unit : mm)

Outside size φD×L	W	A	B	P	t2	F	t1	S
3×5.3	12	3.4	3.4	8.0	5.9	5.5	0.4	—
4×4.5	12	4.7	4.7	8.0	4.8	5.5	0.4	—
4×5.3	12	4.7	4.7	8.0	5.8	5.5	0.4	—
4×5.7, 5.8	12	4.7	4.7	8.0	6.2	5.5	0.4	—
5×4.0	12	5.7	5.7	12	4.3	5.5	0.4	—
5×4.5	12	5.7	5.7	12	4.8	5.5	0.4	—
5×5.3	12	5.7	5.7	12	5.8	5.5	0.4	—
5×5.7, 5.8	12	5.7	5.7	12	6.2	5.5	0.4	—
6.3×4.5	16	7.0	7.0	12	4.8	7.5	0.4	—
6.3×5.3	16	7.0	7.0	12	5.8	7.5	0.4	—
6.3×5.7, 5.8	16	7.0	7.0	12	6.2	7.5	0.4	—
6.3×7.7	16	7.0	7.0	12	8.3	7.5	0.4	—
8×6.5	16	8.7	8.7	12	6.8	7.5	0.4	—
8×6.7	24	8.7	8.7	12	7.2	11.5	0.4	—
8×8.7	24	8.7	8.7	16	9.5	11.5	0.4	—
8×10	24	8.7	8.7	16	11	11.5	0.4	—
8×10.5	24	8.7	8.7	16	11.5	11.5	0.4	—
10×7.7	24	10.7	10.7	16	8.2	11.5	0.4	—
10×8.7	24	10.7	10.7	16	9.5	11.5	0.4	—
10×10	24	10.7	10.7	16	11	11.5	0.4	—
10×10.5	24	10.7	10.7	16	11.5	11.5	0.4	—
* 12.5×13.5	32	13.4	13.4	24	14.5	14.2	0.5	28.4
* 16×16.5	44	17	17	28	17.5	20.2	0.5	40.4
* 16×21.5	44	17	17	28	22.5	20.2	0.5	40.4
* 18×16.5	44	19	19	32	17.5	20.2	0.5	40.4
* 18×21.5	44	19	19	32	22.5	20.2	0.5	40.4
* 9.5×19.0	44	9.9	22.9	16	9.5	20.2	0.4	40.4
* 9.5×24.0	44	9.9	27.9	16	9.5	20.2	0.4	40.4

■ Reel dimension



■ Reel material

Card board : symbol R
Polystyrene : symbol R2

(Unit : mm)

Outside size φD×L	Reel dimension	
	W	t
3, 4	14	3
5	14	3
6.3	18	3
8×6.5	18	3
8×6.7	26	3
8, 10	26	3
* 12.5	34	3
* 16	46	3
* 18	46	3
* 9.5×19.0	45	3
* 9.5×24.0	45	3

■ Packing quantity (Reel)

Outside size φD×L	Quantity (PCS.)
3, 4	2000
5, 6.3	1000
8×6.5	1000
8×6.7	1000
* 8, 10	500
* 12.5×13.5	200
* 16×16.5	125
* 16×21.5	75
* 18×16.5	125
* 18×21.5	75
* 9.5×19.0	400
* 9.5×24.0	400

Lead Forming

• In order to facilitate insertion into printed circuit board, lead wires are cut or formed.

Product Size Table

Unit: mm

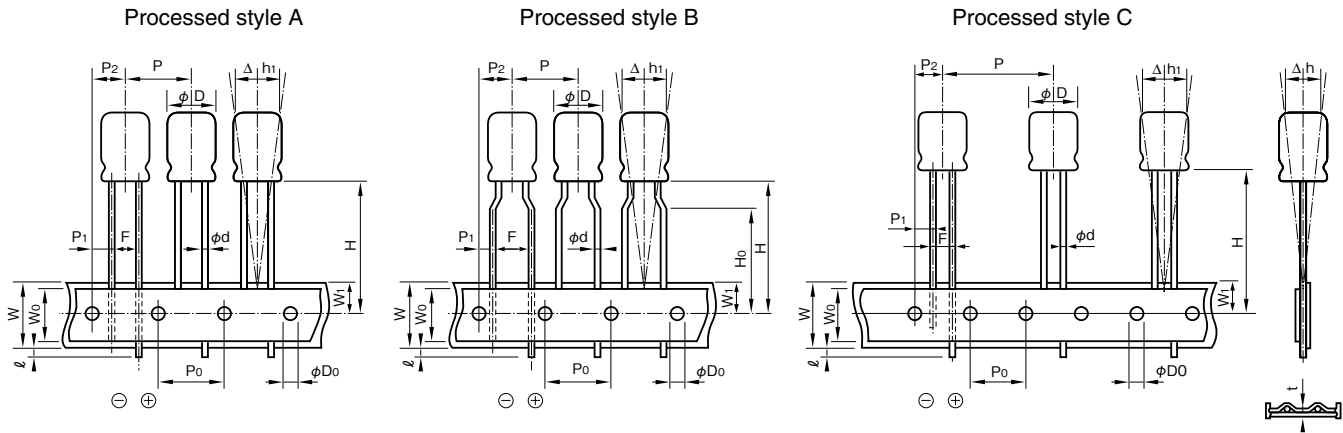
Forming name	Lead forming symbol	Dimension		Style	Outline drawing
		F (Lead pitch)	φD (Case diameter)		
Forming cut	F10	2.0	4	B	
	F1		5	A	
	F12	2.5	4 to 5	B	
	F1		6.3	A	
	F1	3.5	8	A	
	F4		4 to 8	B	
	F	5.0	4 to 8	B	
	F		10 to 12.5	A	
F	7.5	16 to 18	A		
Snap-in	S1	5.0	4 to 8	B	
	S1		10 to 12.5	A	
	S1	7.5	16 to 18	A	
Forming cut (restrict series)	F49	5.0	10 to 12.5		
	F51		10 to 12.5		
	F58		10		
	F49	7.5	16 to 18		
	F51		16 to 18		

Forming name	Lead forming symbol	Dimension				Outline drawing	
		F (Lead pitch)	φD (Case diameter)	ℓ ₀	ℓ ₁		
For 90° side mount of case	G9, G10	3.5	8	5.5	1.0		
	G59, G60		8	3.6	1.0		
	G9, G10	5.0	10 to 12.5	5.5	1.0		
	G55, G56		12.5	7.5	2.5		
	G59, G60		10 to 12.5	3.6	1.0		
	G95, G96		12.5	0.95	4.9		
	G99, GA0		10	1.0	1.9		
	GAS, GAT		10 to 12.5	4.5	1.0		
	G9, G10	7.5	16 to 18	5.5	1.0		
	GAS, GAT		16 to 18	4.5	1.0		

NOTE : Design, Specifications are subject to change without notice. It is recommended that you shall obtain technical specifications from ELNA to ensure that the component is suitable for your use.

Taping

- For automatic insertion (radial lead type)



*The shape of a lead wire sandwiched by the mounting strips may differ from the ones shown in the figures.

Product Size Table

Unit: mm

Item	Symbol	Tolerance	5L to 8L		
			φ3 to φ8(except φ8×7L)		φ4 to φ8
Lead forming symbol	—	—	T36	T58	T2
Style	—	—	A or B		B
Lead-wire diameter	φd	±0.05	0.4 or 0.45		
Lead to lead distance	F	+0.8 -0.2	2.5		5.0
Height of component from tape center	H	+0.75 -0.5	18.5	17.5	
Lead-wire clinch height	H ₀	±0.5	—	16.0	
Pitch of component	P	±1.0	12.7		
Feed hole pitch	P ₀	±0.3	12.7		
Hole center to lead	P ₁	±0.5	5.1		3.85
Hole center to component	P ₂	±1.0	6.35		
Tape width	W	±0.5	18.0		
Hold down tape width	W ₀	Min.	6.0		
Feed hole position	W ₁	±0.5	9.0		
Max. lead protrusion	ℓ	Max.	1.0		
Feed hole diameter	φD ₀	±0.2	4.0		
Alignment of component to center	Δh	±1.0	0		
Alignment of component to center	Δh ₁	±1.0	0		
Total tape thickness	t	±0.2	0.7		

■ Taping

• For automatic insertion (radial lead type)

Product Size Table

Unit: mm

Item	Symbol	Tolerance	11L to 25L					
			φ5, φ6.3			φ8	φ10	φ12.5
Lead forming symbol	—	—	T36	T58	T2	T2	T2	T4
Style	—	—	A or B		B		A	
Lead-wire diameter	φd	±0.05	0.5 or 0.6			0.6		
Lead to lead distance	F	+0.8 -0.2	2.5		5.0			
Height of component from tape center	H	+0.75 -0.5	18.5	17.5	18.5	20.0	18.5	
Lead-wire clinch height	H ₀	±0.5	—		16.0		—	
Pitch of component	P	±1.0	12.7					15.0
Feed hole pitch	P ₀	±0.3	12.7					15.0
Hole center to lead	P ₁	+0.5 (10 to φ18 ±0.7)	5.1		3.85			5.0
Hole center to component	P ₂	±1.0	6.35					7.5
Tape width	W	±0.5	18.0					
Hold down tape width	W ₀	Min.	6.0					
Feed hole position	W ₁	±0.5	9.0					
Max. lead protrusion	ℓ	Max.	1.0					
Feed hole diameter	φD ₀	±0.2	4.0					
Alignment of component to center	Δh	±1.0	0					
Alignment of component to center	Δh ₁	±1.0	0					
Total tape thickness	t	±0.2	0.7					

Part numbering system (example: Series RJB, 10V470μF, 5mm pitch taping)

RJB	—	10	V	471	M	G3	#	—	T2
Series code		Rated voltage symbol		Rated capacitance symbol	Capacitance tolerance symbol	Casing symbol			Taping symbol

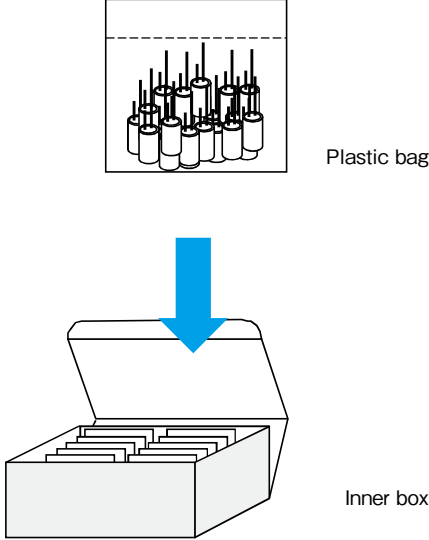
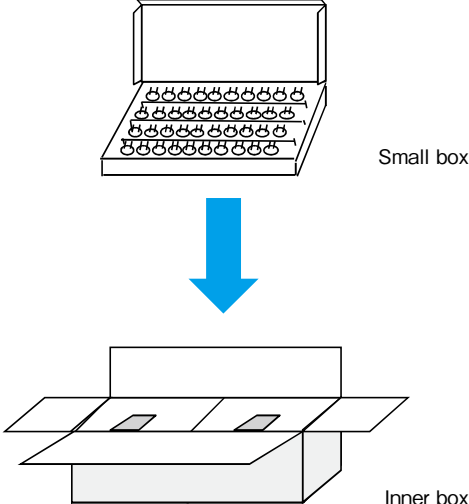
Standard packing specification of aluminum electrolytic capacitors (taping article)

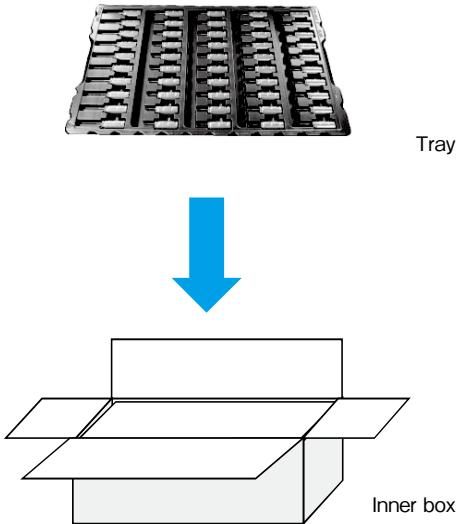
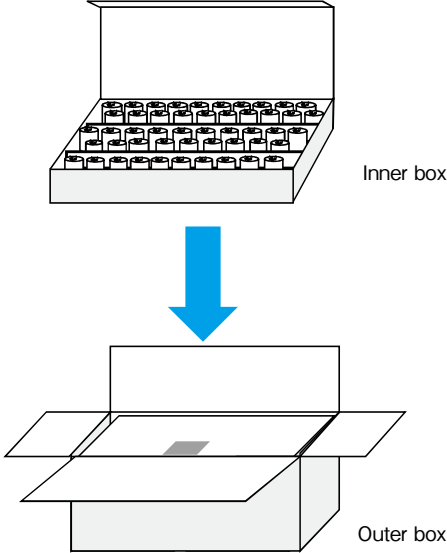
Classification	Chip type	
	Aluminum electrolytic capacitors	Polymer hybrid type aluminum electrolytic capacitors, Aluminium electrolytic capacitors with conductive polymer solid electrolyte
Packing style	<p>Reel</p> <p>Inner box</p>	<p>Reel</p> <p>Dampproof bag</p> <p>Inner box</p>

Classification	Lead terminal type
Packing style	<p>Flat box</p> <p>Inner box</p>

Please inquire for details.

■ Standard packing specification of aluminum electrolytic capacitors
(long lead, lead forming)

Size	Long lead, Lead forming of ϕ 10 or less (Standard packing)	Lead forming of ϕ 12.5 or more (Standard packing)
Packing style	 <p>Plastic bag</p> <p>Inner box</p>	 <p>Small box</p> <p>Inner box</p>

Size	ϕ 10 to ϕ 22 (Optional packing)	ϕ 22 or more (Standard packing)
Packing style	 <p>Tray</p> <p>Inner box</p>	 <p>Inner box</p> <p>Outer box</p>

Please inquire for details.

MEMO

**Conductive Polymer hybrid aluminum
Electrolytic Capacitors,
Aluminum Electrolytic Capacitors With
Conductive Polymer Solid Electrolyte**

■ Cautions for Using Aluminum Electrolytic Capacitors With Conductive Polymer Solid Electrolyte

Please be sure to read this specification before using this product.

Before placing an order, please inquire about the Product Specification to check details.

■ Cautions for Usage

1. Solid conductive polymer aluminum electrolytic capacitors are polarized.

- Using a capacitor with reversed polarity causes abnormal current flow, resulting in a short circuit.
- Cannot use for the circuit to which the polarity reverses by ripple voltage.

2. Prohibited Circuits

- Since leakage current problem may arise, capacitors cannot be used in the following circuits.
 - ① Coupling circuits
 - ② Circuits greatly affected by leakage current

3. Use capacitors within the rated voltage.

- The application of voltages exceeding the rated voltage can significantly increase leakage current, resulting in a short failure. Please do not apply a voltage exceeding the rated voltage.

4. Be careful of excessive rush current.

- Using capacitors in the circuit where excessive rush current passes may cause characteristic deterioration or a short. When the rush current exceeds 10 A, we recommend use of protection circuits to ensure high reliability.

5. Use the allowable ripple voltage and the rated ripple current below the specified values.

- When superimposing a ripple voltage on a DC bias voltage, exercise care that the peak voltage value does not exceed the rated voltage and does not reverse the polarity.
- The rated ripple current shall be below the specified value.

6. Changes in characteristics due to operating temperature

- The characteristics of solid conductive polymer aluminum electrolytic capacitors vary by temperature as follows. These variations are temporary and recover when the temperature goes back (except for the case of characteristic deterioration because of high temperatures over a long time). Note that using capacitors over the upper category temperature increases leakage current, resulting in a short and destruction.

Be careful of the capacitor temperature considering not only the ambient temperature where the equipment is placed and the temperature inside the equipment but also radiation heat from the heating element inside the equipment, and self-heat

generation by ripple current.

- ① Capacitance expressed in the value at 20°C, 120 Hz increases with increased temperature and decreases with decreasing temperature.
- ② Tangent of loss angle ($\tan\delta$) expressed in the value at 20°C, 120 Hz is temperature-independent.
- ③ Equivalent series resistance (ESR) expressed in the value at 20°C, 100 kHz is temperature independent.
- ④ Leakage current increases with increased temperature and decreases with decreasing temperature.

7. Changes in characteristics due to frequency

- The characteristics of solid conductive polymer aluminum electrolytic capacitors vary by operating frequency as follows.
 - ① Capacitance expressed in the value at 20°C, 120 Hz decreases with increased frequency.
 - ② Tangent of loss angle ($\tan\delta$) expressed in the value at 20°C, 120 Hz increases with increased frequency.
 - ③ Equivalent series resistance (ESR) expressed in the value at 20°C, 100 kHz increases with decreasing frequency.

8. Failure modes of solid conductive polymer aluminum electrolytic capacitors

- The failure modes of solid conductive polymer aluminum electrolytic capacitors are a wear-out failure by deterioration of electrical performance and a random failure by a short. The failure rate level is 0.5%/1,000h at the reliability level of 60% with the specified voltage applied at 105°C.
- If a short occurs and continues with the application of a voltage exceeding the rated voltage, increasing the internal temperature, the internal pressure increases by vaporization of the cathode material, which may cause the aluminum case to come off.

9. Operating environments

- Do not use capacitors in an environment directly exposed to water, saltwater spray, oil spill or condensation.
- Do not use capacitors in an environment filled with toxic gas such as hydrogen sulfide, sulfurous acid, nitrous acid, chlorine, ammonia, etc.
- Do not use capacitors in a place exposed to ozone, ultraviolet rays, or radiation.

10. Fumigation Process

NOTE : Design, Specifications are subject to change without notice.
It is recommended that you shall obtain technical specifications from ELNA to ensure that the component is suitable for your use.

- Before transportation of electronic equipment to overseas, fumigation process may be subjected to wooden packing material with a halogen (compound) gas such as methyl bromide. Exercise care that this halogen gas may corrode capacitors. Also, be careful of epidemic preventive agent as corrosive component such as halogen may be contained.

11. The case of solid conductive polymer aluminum electrolytic capacitors and the cathode terminal are not insulated.

- The case and the cathode terminal are not insulated as being connected through inconstant resistance.

12. Double-sided PCB's

- When using capacitors on a double-sided PCB, exercise care that the wiring pattern does not touch the area where the capacitors are mounted. Failure to do so may cause a short to occur to the PCB depending on the mounting conditions.

13. Regarding Connection of Solid Conductive Polymer Aluminum Electrolytic Capacitors

- When connecting more than one capacitor in parallel, consider the current balance.

14. Use at a high altitude

- The use of capacitors at high altitudes such as on an airplane causes a large difference between the internal pressure of the capacitors and the atmospheric pressure. However, there is no problem in use under atmospheric pressure up to about an altitude of 10,000 meters.

If the condition is severe like space, please contact us.

15. Other Notes

- Do not use capacitors on a circuit where rapid charge and discharge are repeated.
- Electrical characteristics of capacitors vary by variations in temperature and frequency. Please consider these variations when designing a circuit.

■Cautions for Mounting

1. Cautions for Mounting

- Do not reuse capacitors that have been assembled in a set and energized. Capacitors cannot be reused except for those which have been measured on electrical performance during periodic inspection.
- Before mounting, confirm the capacitor ratings (rated capacitance and rated voltage).
- Capacitors may generate transient recovery voltage. In this case, discharge through a resistor of about 1 kΩ.
- Before mounting, confirm the polarity of capacitor.

- Do not drop capacitors onto a floor nor use them.
- Do not mount deformed capacitors.
- Do not mount heating parts around capacitors and on the back of the PCB under or back of capacitors).

2. Do not apply excessive pressure to the capacitor or its terminals

- Be careful of the shock force that can be produced by absorbers, product checkers, and centering on automatic inserters and installers.

3. Soldering

- Do not solder capacitor body by dipping into melted solder.
- Soldering conditions (preheating, soldering temperature, terminal dipping time) should be within the ranges specified in the catalog or the delivery specification. Please refer to 13 page.
- Flux should not adhere to the parts other than the terminals.
- When using a soldering iron, avoid excessive stress to capacitor body.
- Although leakage current may increase (from a few μA to hundreds of μA) after soldering, it can be reduced through self-repair by applying voltage. It is advised to operate the set properly after treating with the recommended voltage.
- In case of a long-term use of equipment, control the soldering characteristics so that capacitors and PCB do not fail to connect to avoid abnormal current passage by a failure of soldering to mount.

4. Handling after Soldering

- Do not tilt, fall, raise or twist capacitor body.
- Do not pick up or move PCB by holding a capacitor.
- Do not bump capacitors against objects. When stacking PCB's, make sure that capacitors do not touch the PCB's or other components.
- Do not subject capacitors to excessive stress.

5. Cleaning after Soldering

- Recommended cleaning method
 - ①Cleaning solutions:
 - (a) CLEANTHROUGH 710M, 750H, 750L
 - (b) PINEALPHA ST-100S
 - (c) Techno Care FRW-4~17
 - (d) Isopropyl alcohol (2-propanol)
 - ②Cleaning conditions:
 - (a) The temperature of cleaning solution shall be less than 60°C.
 - (b) Use immersion or ultrasonic waves within two minutes.

(c) After cleaning, capacitors and PCB's shall thoroughly be rinsed and dried with hot blast for more than 10 minutes. The temperature of such breeze should be less than the upper category temperature.

(d) After cleaning, do not keep capacitors in cleaning solution atmosphere or airtight containers.

- During cleaning, control the cleaning solution against contamination.

6. Fixing adhesives and coating materials.

- Do not use halogenated fixatives and coatings.
- Before using a fixative or coating, remove flux residues and contaminants from between the PCB and the sealing section of capacitors.
- Dry the cleaning solution before using the adhesive or coating.
- Do not cover up all the sealing sections (terminal side) of capacitors with the adhesive or coating.
- Heat curing conditions of fixative and coating.

■ Other Cautions

1. Do not directly touch the terminals of solid conductive polymer aluminum electrolytic capacitors.

Failure to do so can cause electric shock or burns. Before use, allow capacitors to discharge through a 1kΩ resistor (with a sufficient margin to the heat generation capacity) as needed.

2. Do not short-circuit between the terminals of the solid conductive polymer aluminum electrolytic capacitors with electric conductor. Do not subject capacitors to conductive solutions such as acid and alkaline water solutions.

3. Periodic inspection should be performed on the capacitors for the industrial equipment application.

Check the following checkpoints.

- Visual inspection to check for significant defects.
- Electrical performance: leakage current, rated capacitance, tangent of loss angle, ESR, and items specified in the catalog or delivery specification.

4. Be careful of the following cases of emergency.

- In case of a short during use of capacitors in sets, producing gas, turn off the main power of the set or unplug the power cord from the outlet.
- In case of a short, producing gas, it may take a few seconds to a few minutes depending on the conditions. Therefore, ensure that the protective circuit of the power supply works during this time.
- If the gas gets in your eyes, rinse them immediately. Gargle if the gas is inhaled.
- Do not lick the electrolyte of capacitors. When the

electrolyte gets on your skin, wash it off with soap immediately.

5. Storage Conditions.

- Do not store at high temperature and high humidity. Store at a temperature of 5 to 35°C and a relative humidity of less than 75%, keeping free from direct sunlight.
- During delivery, capacitors are stored in airtight moistureproof bags to ensure satisfactory soldering. Once the bag is opened right before mounting, it is better to use up the capacitors. If some are unavoidably left over, return them to the moistureproof bag, and seal the opening hermetically.
- Solid conductive polymer aluminum electrolytic capacitors may have increased leakage current when unused or stored for a long time after mounted on equipment. This phenomenon often occurs at high ambient temperatures; however, leakage current will decrease through voltage treatment. If leakage current still increases after a lapse of more than one year at ambient temperature (shorter time at high temperatures), treat with voltage as needed. In design of equipment, consider the effect of increase in initial current, and install protective circuits as needed.

Please check that recommended voltage treatment conditions are provided for each series.

- Do not store capacitors in an environment directly exposed to water, saltwater spray, oil spill or condensation.
- Do not store capacitors in an environment filled with toxic gas such as hydrogen sulfide, sulfurous acid, nitrous acid, chlorine, ammonia, etc.
- Do not store capacitors in a place exposed to ozone, ultraviolet rays, or radiation.

6. Please take the following actions when disposing of solid conductive polymer aluminum electrolytic capacitors.

- Entrust to specialists of industrial waste treatment for incineration.

7. Others

- Before using capacitors, check the details of this delivery specification and catalog as well as the following.

Technical Report of Japan Electronics and Information Technology Industries Association
EIAJ RCR-2367B

Guideline of notabilia for fixed aluminum electrolytic capacitors for use in electronic equipment

MEMO

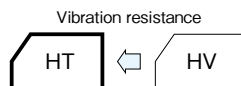
Conductive Polymer Hybrid Capacitors

GREEN
CAP

SMD

Low
ESR105°C
5000hours

- Low E.S.R. and high ripple current are realized.
- Equivalent to conductive polymer type Aluminum Electrolytic Capacitor.
(There are little characteristics change by temperature and frequency)
- Guaranteed 105°C, 5000 hours.



Marking color : Blue print

Specifications

Item	Performance												
Category temperature range (°C)	-55~+105												
Tolerance at rated capacitance (%)	±20 (20°C, 120Hz)												
Leakage current (µA)	Less than 0.01CV or 3(µA) whichever is larger (after 2 minutes) C : Rated capacitance (µF) ; V : Rated voltage (V) (20°C)												
Tangent of loss angle (tanδ)	<table border="1"> <thead> <tr> <th>Rated voltage (V)</th> <th>25</th> <th>35</th> <th>50</th> <th>63</th> <th>80</th> </tr> </thead> <tbody> <tr> <td>tanδ (max.)</td> <td>0.14</td> <td>0.12</td> <td>0.10</td> <td>0.08</td> <td>0.08</td> </tr> </tbody> </table> (20°C, 120Hz)	Rated voltage (V)	25	35	50	63	80	tanδ (max.)	0.14	0.12	0.10	0.08	0.08
Rated voltage (V)	25	35	50	63	80								
tanδ (max.)	0.14	0.12	0.10	0.08	0.08								
Characteristics at high and low temperature	<table border="1"> <thead> <tr> <th rowspan="2">Impedance ratio (max.)</th> <th>Z-25°C/Z+20°C</th> <td>1.5</td> </tr> <tr> <th>Z-55°C/Z+20°C</th> <td>2.0</td> </tr> </thead> </table> (100kHz)	Impedance ratio (max.)	Z-25°C/Z+20°C	1.5	Z-55°C/Z+20°C	2.0							
Impedance ratio (max.)	Z-25°C/Z+20°C		1.5										
	Z-55°C/Z+20°C	2.0											
Endurance (105°C) (Applied ripple current)	<table border="1"> <thead> <tr> <th>Test time</th> <td>5000 hours</td> </tr> </thead> <tbody> <tr> <td>Leakage current</td> <td>The initial specified value or less</td> </tr> <tr> <td>Percentage of capacitance change</td> <td>Within ±30% of initial value</td> </tr> <tr> <td>Tangent of the loss angle</td> <td>200% or less of the initial specified value</td> </tr> <tr> <td>E.S.R. change</td> <td>200% or less of the initial specified value</td> </tr> </tbody> </table>	Test time	5000 hours	Leakage current	The initial specified value or less	Percentage of capacitance change	Within ±30% of initial value	Tangent of the loss angle	200% or less of the initial specified value	E.S.R. change	200% or less of the initial specified value		
Test time	5000 hours												
Leakage current	The initial specified value or less												
Percentage of capacitance change	Within ±30% of initial value												
Tangent of the loss angle	200% or less of the initial specified value												
E.S.R. change	200% or less of the initial specified value												
Shelf life (105°C)	Test time : 1000hours ; other items are the same as those for the endurance. Voltage application treatment												

Outline Drawing

Unit : mm

Series HV									Series HT								
() : Reference size									() : Reference size								
φD	L	A	B	C	W	P	Casing symbol		φD	L	A	B	C	W	P	Casing symbol	
6.3	7.7±0.3	6.6	6.6	2.7	0.5 to 0.8	2.0	F80		8	10±0.5	8.4	8.4	3.0	0.7 to 1.1	3.1	G90	
8	8.7±0.3	8.4	8.4	3.0	0.5 to 0.8	3.1	G90		8	10±0.5	8.4	8.4	3.0	0.7 to 1.1	3.1	G10	
10	8.7±0.3	10.4	10.4	3.3	0.7 to 1.1	4.7	H90		10	10±0.5	10.4	10.4	4.7	0.7 to 1.1	4.7	H10	
10	10±0.5	10.4	10.4	3.3	0.7 to 1.1	4.7	H10										

- Soldering conditions are described on page 13.
- Land pattern size are described on page 11.
- The taping specifications are described on page 14.

Coefficient of Frequency for Rated Ripple Current

Frequency (Hz)	120	1k	10k	100k or more
Rated voltage (V)				
25 to 80	0.10	0.30	0.60	1

Part numbering system

HV (example : 35V270µF)

HV	—	35	V	271	M	H10	—	□
Series code		Rated voltage symbol		Rated capacitance symbol	Capacitance tolerance symbol	Casing symbol		Taping symbol

HT (example : 35V270µF)

HT	—	35	V	271	M	H10	—	□
Series code		Rated voltage symbol		Rated capacitance symbol	Capacitance tolerance symbol	Casing symbol		Taping symbol

Standard Ratings

Rated voltage (V) Rated capacitance (µF)	Item	25			35			50			63			80		
		Case	ESR	Rated ripple current	Case	ESR	Rated ripple current	Case	ESR	Rated ripple current	Case	ESR	Rated ripple current	Case	ESR	Rated ripple current
		φD×L (mm)	(mΩ max.)	(mArms)	φD×L (mm)	(mΩ max.)	(mArms)	φD×L (mm)	(mΩ max.)	(mArms)	φD×L (mm)	(mΩ max.)	(mArms)	φD×L (mm)	(mΩ max.)	(mArms)
22	—	—	—	—	—	—	—	—	—	6.3×7.7	80	1500	8×10	45	1550	
27	—	—	—	—	—	—	—	—	—	8×8.7	50	1600	—	—	—	
33	—	—	—	—	—	—	6.3×7.7	40	1600	8×10	40	1600	10×10	36	1700	
47	—	—	—	—	—	—	8×8.7	35	1700	10×8.7	35	1700	—	—	—	
56	—	—	—	—	—	—	—	—	—	10×10	30	1800	—	—	—	
68	—	—	—	6.3×7.7	35	2000	8×10	30	1800	—	—	—	—	—	—	
82	—	—	—	—	—	—	10×8.7	28	1900	—	—	—	—	—	—	
100	6.3×7.7	30	2000	8×8.7	30	2100	10×10	28	2000	—	—	—	—	—	—	
150	8×8.7	27	2100	8×10	27	2300	—	—	—	—	—	—	—	—	—	
220	8×10	27	2300	10×8.7	25	2400	—	—	—	—	—	—	—	—	—	
270	10×8.7	25	2400	10×10	20	2500	—	—	—	—	—	—	—	—	—	
330	10×10	20	2500	—	—	—	—	—	—	—	—	—	—	—	—	

(Note) Rated ripple current : 105°C , 100Hz ; ESR : 20°C , 100Hz

Conductive Polymer Hybrid Capacitors

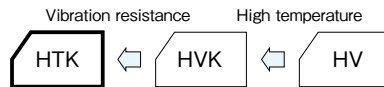
GREEN CAP

SMD

Low ESR

125°C
4000hours

- Low E.S.R. and high ripple current are realized.
- Equivalent to conductive polymer type Aluminum Electrolytic Capacitor. (There are little characteristics change by temperature and frequency)
- Guaranteed 125°C, 4000 hours.



Marking color : Blue print

Specifications

Item	Performance										
Category temperature range (°C)	-55~+125										
Tolerance at rated capacitance (%)	±20 (20°C, 120Hz)										
Leakage current (μA)	Less than 0.01CV or 3(μA) whichever is larger (after 2 minutes) C : Rated capacitance (μF) ; V : Rated voltage (V) (20°C)										
Tangent of loss angle (tanδ)	<table border="1"> <thead> <tr> <th>Rated voltage (V)</th> <th>25</th> <th>35</th> <th>50</th> <th>63</th> </tr> </thead> <tbody> <tr> <td>tanδ (max.)</td> <td>0.14</td> <td>0.12</td> <td>0.10</td> <td>0.08</td> </tr> </tbody> </table> (20°C, 120Hz)	Rated voltage (V)	25	35	50	63	tanδ (max.)	0.14	0.12	0.10	0.08
Rated voltage (V)	25	35	50	63							
tanδ (max.)	0.14	0.12	0.10	0.08							
Characteristics at high and low temperature	<table border="1"> <thead> <tr> <th rowspan="2">Impedance ratio (max.)</th> <th>Z-25°C/Z+20°C</th> <td>1.5</td> </tr> <tr> <th>Z-55°C/Z+20°C</th> <td>2.0</td> </tr> </thead> </table> (100kHz)	Impedance ratio (max.)	Z-25°C/Z+20°C	1.5	Z-55°C/Z+20°C	2.0					
Impedance ratio (max.)	Z-25°C/Z+20°C		1.5								
	Z-55°C/Z+20°C	2.0									
Endurance (125°C) (Applied ripple current)	<table border="1"> <thead> <tr> <th>Test time</th> <td>4000 hours</td> </tr> </thead> <tbody> <tr> <td>Leakage current</td> <td>The initial specified value or less</td> </tr> <tr> <td>Percentage of capacitance change</td> <td>Within ±30% of initial value</td> </tr> <tr> <td>Tangent of the loss angle</td> <td>200% or less of the initial specified value</td> </tr> <tr> <td>E.S.R. change</td> <td>200% or less of the initial specified value</td> </tr> </tbody> </table>	Test time	4000 hours	Leakage current	The initial specified value or less	Percentage of capacitance change	Within ±30% of initial value	Tangent of the loss angle	200% or less of the initial specified value	E.S.R. change	200% or less of the initial specified value
Test time	4000 hours										
Leakage current	The initial specified value or less										
Percentage of capacitance change	Within ±30% of initial value										
Tangent of the loss angle	200% or less of the initial specified value										
E.S.R. change	200% or less of the initial specified value										
Shelf life (125°C)	Test time : 1000hours ; other items are the same as those for the endurance. Voltage application treatment										

Outline Drawing

Unit : mm

Series HVK

φD	L	A	B	C	W	P	Casing symbol
6.3	7.7±0.3	6.6	6.6	2.7	0.5 to 0.8	2.0	F80
8	8.7±0.3	8.4	8.4	3.0	0.5 to 0.8	3.1	G90
8	10±0.5	8.4	8.4	3.0	0.7 to 1.1	3.1	G10
10	8.7±0.3	10.4	10.4	3.3	0.7 to 1.1	4.7	H90
10	10±0.5	10.4	10.4	3.3	0.7 to 1.1	4.7	H10

() : Reference size

Series HTK

φD	L	A	B	C	W	P	Casing symbol
8	10±0.5	8.4	8.4	3.0	0.7 to 1.1	3.1	G10
10	10±0.5	10.4	10.4	4.7	0.7 to 1.1	4.7	H10

□ : Dummy terminal
() : Reference size

- Soldering conditions are described on page 13.
- Land pattern size are described on page 11.
- The taping specifications are described on page 14.

Coefficient of Frequency for Rated Ripple Current

Frequency (Hz)	120	1k	10k	100k or more
Rated voltage (V) 25 to 63	0.10	0.30	0.60	1

Part numbering system

HVK (example : 35V270μF)

HVK	—	35	V	271	M	H10	E	—	□
Series code		Rated voltage symbol		Rated capacitance symbol	Capacitance tolerance symbol	Casing symbol			Taping symbol

HTK (example : 35V270μF)

HTK	—	35	V	271	M	H10	E	—	□
Series code		Rated voltage symbol		Rated capacitance symbol	Capacitance tolerance symbol	Casing symbol			Taping symbol

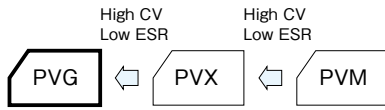
Standard Ratings

Rated voltage (V) Rated capacitance (µF)	Item	25			35			50			63		
		Case	ESR	Rated ripple current	Case	ESR	Rated ripple current	Case	ESR	Rated ripple current	Case	ESR	Rated ripple current
		φ D×L (mm)	(mΩ max.)	(mA rms)	φ D×L (mm)	(mΩ max.)	(mA rms)	φ D×L (mm)	(mΩ max.)	(mA rms)	φ D×L (mm)	(mΩ max.)	(mA rms)
22	—	—	—	—	—	—	—	—	—	6.3×7.7	80	900	
27	—	—	—	—	—	—	—	—	—	8×8.7	50	1000	
33	—	—	—	—	—	—	6.3×7.7	40	1100	8×10	40	1100	
47	—	—	—	—	—	—	8×8.7	35	1200	10×8.7	35	1200	
56	—	—	—	—	—	—	—	—	—	10×10	30	1400	
68	—	—	—	6.3×7.7	35	1400	8×10	30	1250	—	—	—	
82	—	—	—	—	—	—	10×8.7	28	1400	—	—	—	
100	6.3×7.7	30	1400	8×8.7	30	1500	10×10	28	1600	—	—	—	
150	8×8.7	27	1500	8×10	27	1600	—	—	—	—	—	—	
220	8×10	27	1600	10×8.7	25	1700	—	—	—	—	—	—	
270	10×8.7	25	1700	10×10	20	2000	—	—	—	—	—	—	
330	10×10	20	2000	—	—	—	—	—	—	—	—	—	

(Note) Rated ripple current : 125°C , 100Hz ; ESR. : 20°C , 100Hz

Chip Type GREEN CAP SMD Low ESR 105°C 2000hours Anti-cleaning solvent

- Super low E.S.R. and high ripple current are realized.
- Guaranteed 105°C, 2000 hours.



Marking color : Blue print

Specifications

Item	Performance	
Category temperature range (°C)	-55 to +105	
Tolerance at rated capacitance (%)	±20 (20°C,120Hz)	
Leakage current (µA) *Note	Less than 0.2CV (after 2 minutes) C : Rated capacitance (µF) ; V : Rated voltage (V) (20°C)	
Tangent of the loss angle (tanδ)	Less than 0.12 (20°C,120Hz)	
Characteristics at high and low temperature	Impedance ratio (max.) Z-25°C / Z+20°C : 1.15 Z-55°C / Z+20°C : 1.25 (100kHz)	
Endurance (105°C) (Applied ripple current)	Test time	2000 hours
	Leakage current	The initial specified value or less
	Percentage of capacitance change	Within ±20% of initial value
	Tangent of the loss angle	150% or less of the initial specified value
	E.S.R. change	150% or less of the initial specified value
Bias Humidity 60°C, 90 to 95%RH	Test time	500 hours
	Leakage current	The initial specified value or less
	Percentage of capacitance change	Within ±20% of initial value
	Tangent of the loss angle	150% or less of the initial specified value
	E.S.R. change	150% or less of the initial specified value
Characteristics of applied surge voltage	The capacitors shall be subject to 1000 cycles each consisting of charge with the surge voltage specified at 105°C for 30 seconds through a protective resistor (Rc=1kΩ) in 6 minutes per cycle. Surge voltage : 1.15 times of rated voltage	
	Leakage current	The initial specified value or less
	Percentage of capacitance change	Within ±20% of initial value
	Tangent of the loss angle	150% or less of the initial specified value
	E.S.R. change	150% or less of the initial specified value
Failure rate	0.5% per 1000 hours maximum (Confidence level 60% at 105°C)	

*Note : If any doubt arises, measure the leakage current after following voltage application treatment.
Voltage application treatment : DC rated voltage are applied to the capacitors for 120 minutes at 105°C.

Outline Drawing

Unit : mm

φD	L	A	B	C	W	P	Casing symbol
5	5.7	5.3	5.3	2.3	0.5 to 0.8	1.5	E60
6.3	5.7	6.6	6.6	2.7	0.5 to 0.8	2.0	F60
6.3	7.7	6.6	6.6	2.7	0.5 to 0.8	2.0	F80
8	7.7	8.4	8.4	3.0	0.5 to 0.8	3.1	G80
10	7.7	10.4	10.4	3.2	0.7 to 1.1	4.7	H80

() : Reference size

- Soldering conditions are described on page 13.
- Land pattern size are described on page 11.
- The taping specifications are described on page 14.

Part numbering system (example : 4V151 M E60)

PVG	—	4	V	151	M	E60	—	□
Series code		Rated voltage symbol		Rated capacitance symbol	Capacitance tolerance symbol	Casing symbol		Taping symbol

Standard Ratings

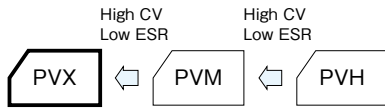
Rated voltage (V) Rated capacitance (µF)	Item	2.5			4			6.3		
		Case	ESR	Rated ripple current	Case	ESR	Rated ripple current	Case	ESR	Rated ripple current
		φD×L (mm)	(mΩ max.)	(mA rms)	φD×L (mm)	(mΩ max.)	(mA rms)	φD×L (mm)	(mΩ max.)	(mA rms)
120	—	—	—	—	—	—	5×5.7	8	4000	
150	—	—	—	5×5.7	8	4000	—	—	—	
220	5×5.7	8	4000	6.3×5.7	6	4500	6.3×5.7	7	4300	
270	—	—	—	6.3×5.7	6	4500	6.3×7.7	7	4600	
330	6.3×5.7	6	4500	6.3×7.7	6	4800	8×7.7	7	4700	
390	6.3×5.7	6	4500	6.3×7.7	6	4800	—	—	—	
470	6.3×7.7	6	4800	8×7.7	6	5000	8×7.7	7	4700	
560	6.3×7.7	6	4800	—	—	—	8×7.7	7	4700	
680	—	—	—	8×7.7	6	5000	—	—	—	
820	—	—	—	—	—	—	10×7.7	7	4900	
1000	8×7.7	6	5000	10×7.7	6	5200	—	—	—	
1200	10×7.7	6	5200	—	—	—	—	—	—	

(Note) Rated ripple current : 105°C, 100kHz ; E.S.R. : 20°C, 100kHz

POLYMER
HYBRID

Chip Type GREEN CAP SMD Low ESR 105°C 2000hours Anti-cleaning solvent

- Super low E.S.R. and high ripple current are realized.
- Guaranteed 105°C, 2000 hours.



Marking color : Blue print

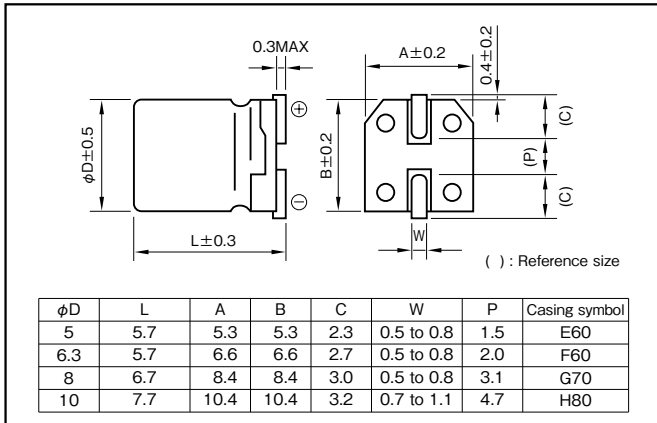
Specifications

Item	Performance	
Category temperature range (°C)	-55 to +105	
Tolerance at rated capacitance (%)	±20 (20°C,120Hz)	
Leakage current (µA) *Note	Less than 0.2CV (after 2 minutes) C : Rated capacitance (µF) ; V : Rated voltage (V) (20°C)	
Tangent of the loss angle (tanδ)	Less than 0.12 (20°C,120Hz)	
Characteristics at high and low temperature	Impedance ratio (max.) Z-25°C / Z+20°C : 1.15 Z-55°C / Z+20°C : 1.25 (100kHz)	
Endurance (105°C) (Applied ripple current)	Test time	2000 hours
	Leakage current	The initial specified value or less
	Percentage of capacitance change	Within ±20% of initial value
	Tangent of the loss angle	150% or less of the initial specified value
	E.S.R. change	150% or less of the initial specified value
Bias Humidity 60°C, 90 to 95%RH	Test time	500 hours
	Leakage current	The initial specified value or less
	Percentage of capacitance change	Within ±20% of initial value
	Tangent of the loss angle	150% or less of the initial specified value
	E.S.R. change	150% or less of the initial specified value
Characteristics of applied surge voltage	The capacitors shall be subject to 1000 cycles each consisting of charge with the surge voltage specified at 105°C for 30 seconds through a protective resistor (Rc=1kΩ) in 6 minutes per cycle. Surge voltage : 1.15 times of rated voltage	
	Leakage current	The initial specified value or less
	Percentage of capacitance change	Within ±20% of initial value
	Tangent of the loss angle	150% or less of the initial specified value
	E.S.R. change	150% or less of the initial specified value
Failure rate	0.5% per 1000 hours maximum (Confidence level 60% at 105°C)	

*Note : If any doubt arises, measure the leakage current after following voltage application treatment.
Voltage application treatment : DC rated voltage are applied to the capacitors for 120 minutes at 105°C.

Outline Drawing

Unit : mm



- Soldering conditions are described on page 13.
- Land pattern size are described on page 11.
- The taping specifications are described on page 14.

Part numbering system (example : 4V151 M E60 E)

PVX	—	4	V	151	M	E60	E	—	□
Series code		Rated voltage symbol		Rated capacitance symbol	Capacitance tolerance symbol	Casing symbol			Taping symbol

Standard Ratings

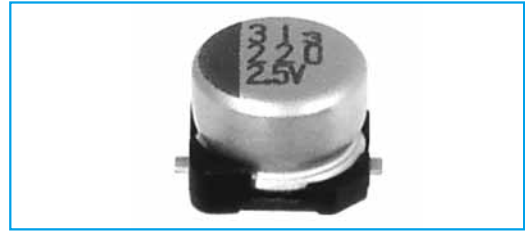
Rated voltage (V) Rated capacitance (µF)	Item	2.5			4			6.3			10		
		Case	ESR	Rated ripple current	Case	ESR	Rated ripple current	Case	ESR	Rated ripple current	Case	ESR	Rated ripple current
		φD×L (mm)	(mΩ max.)	(mA _{rms})	φD×L (mm)	(mΩ max.)	(mA _{rms})	φD×L (mm)	(mΩ max.)	(mA _{rms})	φD×L (mm)	(mΩ max.)	(mA _{rms})
100	—	—	—	—	—	—	5×5.7	15	3100	5×5.7	15	3100	
120	—	—	—	—	—	—	—	—	—	6.3×5.7	13	3300	
150	5×5.7	10	3800	5×5.7	10	3800	5×5.7	15	3100	—	—	—	
220	5×5.7	10	3800	5×5.7	10	3800	6.3×5.7	9	4000	8×6.7	10	3800	
270	5×5.7	10	3800	—	—	—	—	—	—	—	—	—	
330	6.3×5.7	9	4000	6.3×5.7	9	4000	8×6.7	8	4300	8×6.7	10	3800	
390	6.3×5.7	9	4000	—	—	—	8×6.7	8	4300	—	—	—	
470	8×6.7	8	4300	8×6.7	8	4300	8×6.7	8	4300	10×7.7	10	4000	
560	8×6.7	8	4300	8×6.7	8	4300	—	—	—	—	—	—	
680	8×6.7	8	4300	10×7.7	8	4600	—	—	—	—	—	—	
820	—	—	—	—	—	—	10×7.7	8	4600	—	—	—	
1000	10×7.7	8	4600	10×7.7	8	4600	—	—	—	—	—	—	
1200	10×7.7	8	4600	—	—	—	—	—	—	—	—	—	

(Note) Rated ripple current : 105°C, 100kHz ; E.S.R. : 20°C, 100kHz

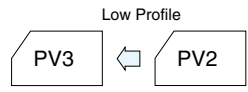
POLYMER
HYBRID

Chip Type GREEN CAP SMD Low ESR 105°C 1000hours Anti-cleaning solvent

- 4.0mm height
- Super low E.S.R. and high ripple current are realized.
- Guaranteed 105°C, 1000 hours.



Marking color : Blue print



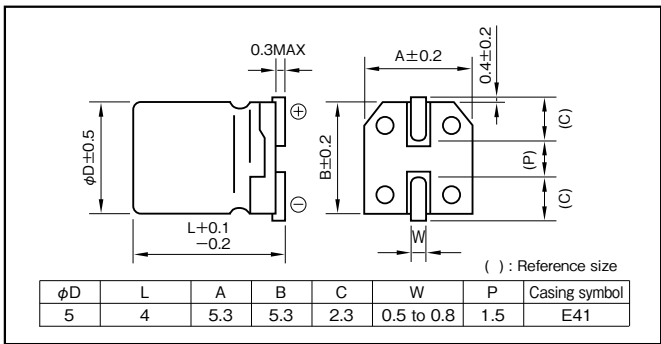
Specifications

Item	Performance			
Category temperature range (°C)	-55 to +105			
Tolerance at rated capacitance (%)	±20 (20°C,120Hz)			
Leakage current (μA) *Note	Less than 700μA (20°C)			
Tangent of the loss angle (tanδ)	Less than 0.12 (20°C,120Hz)			
Characteristics at high and low temperature	Impedance ratio (max.)	Z -25°C / Z +20°C	1.15	(100kHz)
		Z -55°C / Z +20°C	1.25	
Endurance (105°C) (Applied ripple current)	Test time	1000 hours		
	Leakage current	The initial specified value or less		
	Percentage of capacitance change	Within ±20% of initial value		
	Tangent of the loss angle	150% or less of the initial specified value		
	E.S.R. change	150% or less of the initial specified value		
Bias Humidity 60°C, 90 to 95%RH	Test time	500 hours		
	Leakage current	The initial specified value or less		
	Percentage of capacitance change	Within ±20% of initial value		
	Tangent of the loss angle	150% or less of the initial specified value		
	E.S.R. change	150% or less of the initial specified value		
Characteristics of applied surge voltage	The capacitors shall be subject to 1000 cycles each consisting of charge with the surge voltage specified at 105°C for 30 seconds through a protective resistor (Rc=1kΩ) in 6 minutes per cycle. Surge voltage : 1.15 times of rated voltage			
	Leakage current	The initial specified value or less		
	Percentage of capacitance change	Within ±20% of initial value		
	Tangent of the loss angle	150% or less of the initial specified value		
	E.S.R. change	150% or less of the initial specified value		
Failure tare	0.5% per 1000 hours maximum (Confidence level 60% at 105°C)			

*Note : If any doubt arises, measure the leakage current after following voltage application treatment.
Voltage application treatment : DC rated voltage are applied to the capacitors for 120 minutes at 105°C.

Outline Drawing

Unit : mm



- Soldering conditions are described on page 13.
- Land pattern size are described on page 11.
- The taping specifications are described on page 14.

Part numbering system (example : 2.5V220μF)

PV3	—	2R5	V	221	M	E41	—	
Series code		Rated voltage symbol		Rated capacitance symbol	Capacitance tolerance symbol	Casing symbol		Taping symbol

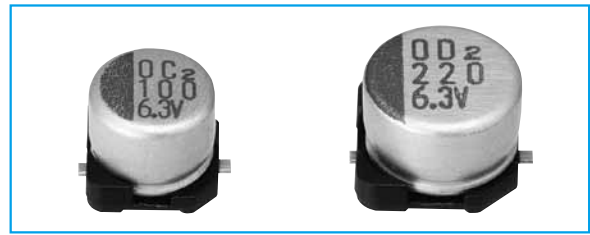
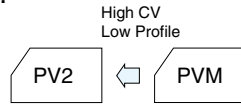
Standard Ratings

Rated voltage (V) Rated capacitance (µF)	Item	2.5			6.3		
		Case	ESR	Rated ripple current	Case	ESR	Rated ripple current
	φ D × L (mm)	(mΩ max.)	(mA rms)	φ D × L (mm)	(mΩ max.)	(mA rms)	
150	—	—	—	5 × 4.0	25	2700	
220	5 × 4.0	25	3300	—	—	—	

(Note) Rated ripple current : 105°C , 100Hz ; ESR. : 20°C , 100Hz

Chip Type GREEN CAP SMD Low ESR 105°C 2000hours Anti-cleaning solvent

- 4.5mm height
- Super low E.S.R. and high ripple current are realized.
- Guaranteed 105°C, 2000 hours.



Marking color : Blue print

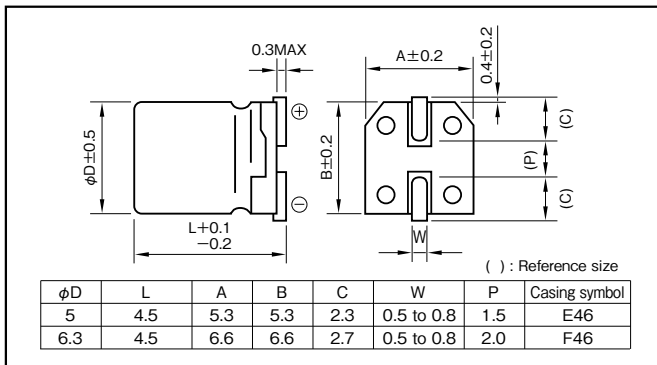
Specifications

Item	Performance	
Category temperature range (°C)	-55 to +105	
Tolerance at rated capacitance (%)	±20 (20°C,120Hz)	
Leakage current (μA) *Note	Rated voltage (V) 2.5 to 20 25	
	Leakage current (μA) Less than 0.2 CV (after 2 minutes) Less than 0.5 CV (after 2 minutes)	
C : Rated capacitance (μF) ; V : Rated voltage (V) (20°C)		
Tangent of the loss angle (tanδ)	Less than 0.12 (20°C,120Hz)	
Characteristics at high and low temperature	Impedance ratio (max.)	
	Z-25°C/Z+20°C : 1.15 Z-55°C/Z+20°C : 1.25 (100kHz)	
Endurance (105°C) (Applied ripple current)	Test time 2000 hours	
	Leakage current The initial specified value or less	
	Percentage of capacitance change Within ±20% of initial value	
	Tangent of the loss angle 150% or less of the initial specified value	
	E.S.R. change 150% or less of the initial specified value	
Bias Humidity 60°C, 90 to 95%RH	Test time 500 hours	
	Leakage current The initial specified value or less	
	Percentage of capacitance change Within ±20% of initial value	
	Tangent of the loss angle 150% or less of the initial specified value	
	E.S.R. change 150% or less of the initial specified value	
Characteristics of applied surge voltage	The capacitors shall be subject to 1000 cycles each consisting of charge with the surge voltage specified at 105°C for 30 seconds through a protective resistor (Rc=1kΩ) in 6 minutes per cycle. Surge voltage : 1.15 times of rated voltage	
	Leakage current The initial specified value or less	
	Percentage of capacitance change Within ±20% of initial value	
	Tangent of the loss angle 150% or less of the initial specified value	
	E.S.R. change 150% or less of the initial specified value	
Failure rate	0.5% per 1000 hours maximum (Confidence level 60% at 105°C)	

*Note : If any doubt arises, measure the leakage current after following voltage application treatment.
Voltage application treatment : DC rated voltage are applied to the capacitors for 120 minutes at 105°C.

Outline Drawing

Unit : mm



- Soldering conditions are described on page 13.
- Land pattern size are described on page 11.
- The taping specifications are described on page 14.

Part numbering system (example : 4V120μF)					
PV2	—	4	V	121	M E46
Series code		Rated voltage symbol		Rated capacitance symbol	Capacitance tolerance symbol Casing symbol
					Taping symbol

Standard Ratings

Rated capacitance (μF)	2.5			4			6.3			10			16		
	Item			Item			Item			Item			Item		
	Case	ESR	Rated ripple current	Case	ESR	Rated ripple current	Case	ESR	Rated ripple current	Case	ESR	Rated ripple current	Case	ESR	Rated ripple current
	φD×L (mm)	(mΩ max.)	(mA rms)	φD×L (mm)	(mΩ max.)	(mA rms)	φD×L (mm)	(mΩ max.)	(mA rms)	φD×L (mm)	(mΩ max.)	(mA rms)	φD×L (mm)	(mΩ max.)	(mA rms)
39	—	—	—	—	—	—	—	—	—	—	—	—	6.3×4.5	40	1450
100	—	—	—	—	—	—	5×4.5	20	1300	—	—	—	—	—	—
120	—	—	—	5×4.5	20	1400	—	—	—	6.3×4.5	30	1750	—	—	—
150	—	—	—	—	—	—	6.3×4.5	16	1950	—	—	—	—	—	—
180	5×4.5	20	1400	—	—	—	—	—	—	—	—	—	—	—	—
220	—	—	—	6.3×4.5	16	2400	6.3×4.5	16	1950	—	—	—	—	—	—
270	6.3×4.5	16	2400	—	—	—	—	—	—	—	—	—	—	—	—
330	6.3×4.5	13	2400	—	—	—	—	—	—	—	—	—	—	—	—
390	6.3×4.5	16	2400	—	—	—	—	—	—	—	—	—	—	—	—

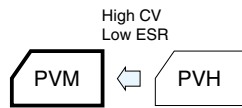
Rated capacitance (μF)	20			25		
	Item			Item		
	Case	ESR	Rated ripple current	Case	ESR	Rated ripple current
	φD×L (mm)	(mΩ max.)	(mA rms)	φD×L (mm)	(mΩ max.)	(mA rms)
15	—	—	—	6.3×4.5	45	1150
22	6.3×4.5	45	1250	—	—	—

(Note) Rated ripple current : 105°C, 100kHz ; E.S.R. : 20°C, 100kHz

POLYMER
HYBRID

Chip Type GREEN CAP SMD Low ESR 105°C 2000hours Anti-cleaning solvent

- Super low E.S.R. and high ripple current are realized.
- Guaranteed 105°C, 2000 hours.



Marking color : Blue print

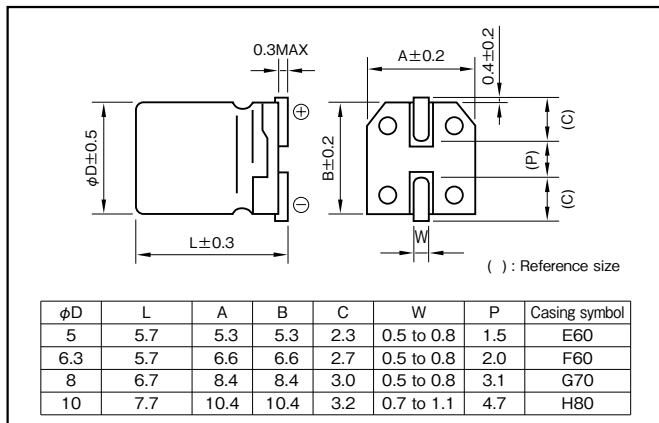
Specifications

Item	Performance	
Category temperature range (°C)	-55 to +105	
Tolerance at rated capacitance (%)	±20 (20°C, 120Hz)	
Leakage current (μA) *Note	Rated voltage (V)	2.5 to 20 25.35
	Leakage current (μA)	Less than 0.2 CV (after 2 minutes) Less than 0.5 CV (after 2 minutes)
C : Rated capacitance (μF) ; V : Rated voltage (V) (20°C)		
Tangent of the loss angle (tanδ)	Less than 0.12 (20°C, 120Hz)	
Characteristics at high and low temperature	Impedance ratio (max.)	
	Z-25°C/Z+20°C : 1.15 Z-55°C/Z+20°C : 1.25 (100kHz)	
Endurance (105°C) (Applied ripple current)	Test time	2000 hours
	Leakage current	The initial specified value or less
	Percentage of capacitance change	Within ±20% of initial value
	Tangent of the loss angle	150% or less of the initial specified value
	E.S.R. change	150% or less of the initial specified value
Bias Humidity 60°C, 90 to 95%RH	Test time	500 hours
	Leakage current	The initial specified value or less
	Percentage of capacitance change	Within ±20% of initial value
	Tangent of the loss angle	150% or less of the initial specified value
	E.S.R. change	150% or less of the initial specified value
Characteristics of applied surge voltage	The capacitors shall be subject to 1000 cycles each consisting of charge with the surge voltage specified at 105°C for 30 seconds through a protective resistor (Rc=1kΩ) in 6 minutes per cycle. Surge voltage : 1.15 times of rated voltage	
	Leakage current	The initial specified value or less
	Percentage of capacitance change	Within ±20% of initial value
	Tangent of the loss angle	150% or less of the initial specified value
	E.S.R. change	150% or less of the initial specified value
Failure rate	0.5% per 1000 hours maximum (Confidence level 60% at 105°C)	

*Note : If any doubt arises, measure the leakage current after following voltage application treatment.
Voltage application treatment : DC rated voltage are applied to the capacitors for 120 minutes at 105°C.

Outline Drawing

Unit : mm



- Soldering conditions are described on page 13.
- Land pattern size are described on page 11.
- The taping specifications are described on page 14.

Part numbering system (example : 4V151M E60 E)

PVM	4	V	151	M	E60	E	□
Series code	Rated voltage symbol	Rated capacitance symbol	Capacitance tolerance symbol	Casing symbol	Taping symbol		

Standard Ratings

Rated capacitance (μF)	2.5			4			6.3			10			16		
	Case	ESR	Rated ripple current	Case	ESR	Rated ripple current	Case	ESR	Rated ripple current	Case	ESR	Rated ripple current	Case	ESR	Rated ripple current
	φD×L (mm)	(mΩ max.)	(mArms)	φD×L (mm)	(mΩ max.)	(mArms)	φD×L (mm)	(mΩ max.)	(mArms)	φD×L (mm)	(mΩ max.)	(mArms)	φD×L (mm)	(mΩ max.)	(mArms)
33	—	—	—	—	—	—	—	—	—	—	—	—	5×5.7	35	2070
39	—	—	—	—	—	—	—	—	—	—	—	—	5×5.7	35	2070
47	—	—	—	—	—	—	—	—	—	—	—	—	6.3×5.7	28	2340
56	—	—	—	—	—	—	—	—	—	5×5.7	28	2310	—	—	—
68	—	—	—	—	—	—	—	—	—	5×5.7	28	2310	6.3×5.7	28	2340
100	—	—	—	5×5.7	22	2610	5×5.7	24	2500	6.3×5.7	25	2530	8×6.7	24	3010
120	—	—	—	—	—	—	5×5.7	24	2500	6.3×5.7	25	2530	8×6.7	24	3010
150	—	—	—	5×5.7	22	2610	—	—	—	—	—	—	—	—	—
180	5×5.7	21	2670	—	—	—	—	—	—	—	—	—	—	—	—
220	5×5.7	21	2670	5×5.7	22	2610	6.3×5.7	15	3160	8×6.7	21	3220	10×7.7	22	3450
270	—	—	—	6.3×5.7	15	3160	—	—	—	8×6.7	21	3220	—	—	—
330	6.3×5.7	15	3160	6.3×5.7	15	3160	8×6.7	14	3950	10×7.7	19	3800	—	—	—
390	6.3×5.7	15	3160	—	—	—	8×6.7	14	3950	—	—	—	—	—	—
470	8×6.7	13	3600	8×6.7	14	3950	8×6.7	14	3950	10×7.7	19	3800	—	—	—
560	8×6.7	13	3600	8×6.7	14	3950	—	—	—	—	—	—	—	—	—
680	8×6.7	13	3600	—	—	—	—	—	—	—	—	—	—	—	—
820	—	—	—	—	—	—	10×7.7	14	4300	—	—	—	—	—	—
1000	10×7.7	13	4450	10×7.7	14	4300	—	—	—	—	—	—	—	—	—
1200	10×7.7	13	4450	—	—	—	—	—	—	—	—	—	—	—	—

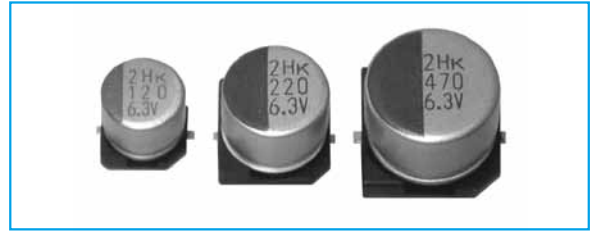
POLYMER HYBRID

Rated capacitance (μF)	20			25			35		
	Case	ESR	Rated ripple current	Case	ESR	Rated ripple current	Case	ESR	Rated ripple current
	φD×L (mm)	(mΩ max.)	(mArms)	φD×L (mm)	(mΩ max.)	(mArms)	φD×L (mm)	(mΩ max.)	(mArms)
10	—	—	—	6.3×5.7	60	1500	—	—	—
15	—	—	—	—	—	—	8×6.7	150	1000
22	6.3×5.7	50	1650	8×6.7	50	1800	—	—	—
33	—	—	—	—	—	—	10×7.7	100	1800
39	—	—	—	10×7.7	45	2100	—	—	—
47	8×6.7	45	2000	—	—	—	—	—	—
82	10×7.7	40	2500	—	—	—	—	—	—

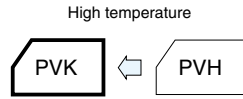
(Note) Rated ripple current : 105°C, 100kHz ; E.S.R. : 20°C, 100kHz

Chip Type GREEN CAP SMD Low ESR 125°C 1000hours Anti-cleaning solvent

- Super low E.S.R. and high ripple current are realized.
- Guaranteed 125°C, 1000 hours.



Marking color : Blue print



Specifications

Item	Performance	
Category temperature range (°C)	-55 to +125	
Tolerance at rated capacitance (%)	±20 (20°C,120Hz)	
Leakage current (μA) *Note C : Rated capacitance (μF) ; V : Rated voltage (V)	Rated voltage (V)	2.5 to 20 25,35
	Leakage current (μA)	Less than 0.2 CV (after 2 minutes) Less than 0.5 CV (after 2 minutes)
Tangent of the loss angle (tanδ)	Less than 0.12 (20°C,120Hz)	
Characteristics at high and low temperature	Impedance ratio (max.) Z-25°C/Z+20°C : 1.15 Z-55°C/Z+20°C : 1.25 (100kHz)	
Endurance (125°C) (Applied ripple current)	Test time	1000 hours
	Leakage current	The initial specified value or less
	Percentage of capacitance change	Within ±20% of initial value
	Tangent of the loss angle	150% or less of the initial specified value
	E.S.R. change	150% or less of the initial specified value
Bias Humidity 60°C, 90 to 95%RH	Test time	500 hours
	Leakage current	The initial specified value or less
	Percentage of capacitance change	Within ±20% of initial value
	Tangent of the loss angle	150% or less of the initial specified value
	E.S.R. change	150% or less of the initial specified value
Characteristics of applied surge voltage	The capacitors shall be subject to 1000 cycles each consisting of charge with the surge voltage specified at 125°C for 30 seconds through a protective resistor (Rc=1kΩ) in 6 minutes per cycle. Surge voltage : 1.15 times of rated voltage	
	Leakage current	The initial specified value or less
	Percentage of capacitance change	Within ±20% of initial value
	Tangent of the loss angle	150% or less of the initial specified value
	E.S.R. change	150% or less of the initial specified value
Failure rate	0.5% per 1000 hours maximum (Confidence level 60% at 125°C)	

*Note : If any doubt arises, measure the leakage current after following voltage application treatment.
Voltage application treatment : DC rated voltage are applied to the capacitors for 120 minutes at 125°C.

Outline Drawing

Unit : mm

φD	L	A	B	C	W	P	Casing symbol
6.3	5.7	6.6	6.6	2.7	0.5 to 0.8	2.0	F60
8	6.7	8.4	8.4	3.0	0.5 to 0.8	3.1	G70
10	7.7	10.4	10.4	3.2	0.7 to 1.1	4.7	H80

- Soldering conditions are described on page 13.
- Land pattern size are described on page 11.
- The taping specifications are described on page 14.

Part numbering system (example : 4V151 M F60 E □)

PVK	4	V	151	M	F60	E	□
Series code	Rated voltage symbol	Rated capacitance symbol	Capacitance tolerance symbol	Casing symbol	Taping symbol		

Standard Ratings

Rated voltage (V)	Item	2.5			4			6.3			10			16		
		Case	ESR	Rated ripple current	Case	ESR	Rated ripple current	Case	ESR	Rated ripple current	Case	ESR	Rated ripple current	Case	ESR	Rated ripple current
		φD×L (mm)	(mΩ max.)	(mA _{rms})	φD×L (mm)	(mΩ max.)	(mA _{rms})	φD×L (mm)	(mΩ max.)	(mA _{rms})	φD×L (mm)	(mΩ max.)	(mA _{rms})	φD×L (mm)	(mΩ max.)	(mA _{rms})
33	—	—	—	—	—	—	—	—	—	—	—	—	6.3×5.7	37	590	
39	—	—	—	—	—	—	—	—	—	—	—	—	6.3×5.7	37	590	
47	—	—	—	—	—	—	—	—	—	—	6.3×5.7	31	680	6.3×5.7	37	590
56	—	—	—	—	—	—	—	—	—	—	6.3×5.7	31	680	—	—	—
68	—	—	—	—	—	—	—	6.3×5.7	27	720	—	—	—	—	—	—
82	—	—	—	—	—	—	—	6.3×5.7	27	720	—	—	—	8×6.7	30	830
100	—	—	—	6.3×5.7	26	770	6.3×5.7	27	720	8×6.7	27	880	8×6.7	30	830	
120	—	—	—	—	—	—	6.3×5.7	27	720	8×6.7	27	880	—	—	—	
150	—	—	—	6.3×5.7	26	770	8×6.7	25	960	8×6.7	27	880	10×7.7	26	930	
180	—	—	—	—	—	—	—	—	—	—	—	—	10×7.7	26	930	
220	6.3×5.7	25	770	8×6.7	25	960	8×6.7	25	960	10×7.7	24	1010	—	—	—	
270	—	—	—	—	—	—	—	—	—	10×7.7	24	1010	—	—	—	
330	8×6.7	23	960	8×6.7	25	960	10×7.7	20	1100	10×7.7	24	1010	—	—	—	
470	8×6.7	23	960	10×7.7	20	1100	10×7.7	20	1100	—	—	—	—	—	—	
560	8×6.7	23	960	—	—	—	—	—	—	—	—	—	—	—	—	
680	—	—	—	10×7.7	20	1100	—	—	—	—	—	—	—	—	—	
1000	10×7.7	19	1100	—	—	—	—	—	—	—	—	—	—	—	—	

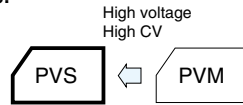
POLYMER
HYBRID

Rated voltage (V)	Item	20			25		
		Case	ESR	Rated ripple current	Case	ESR	Rated ripple current
		φD×L (mm)	(mΩ max.)	(mA _{rms})	φD×L (mm)	(mΩ max.)	(mA _{rms})
10	—	—	—	6.3×5.7	65	500	
22	6.3×5.7	50	590	8×6.7	50	600	
39	8×6.7	45	780	10×7.7	45	700	
47	8×6.7	45	780	—	—	—	
82	10×7.7	40	820	—	—	—	

(Note) Rated ripple current : 125°C, 100kHz ; ESR : 20°C, 100kHz

Chip Type GREEN CAP SMD Low ESR 105°C 2000hours Anti-cleaning solvent

- High voltage (to 63V)
- High CV and low E.S.R and High ripple Current are realized
- Guaranteed 105°C, 2000 hours.



Marking color : Blue print

Specifications

Item	Performance	
Category temperature range (°C)	-55 to +105	
Tolerance at rated capacitance (%)	±20 (20°C,120Hz)	
Leakage current (μA) *Note	Rated voltage (V)	35 to 63
	Leakage current (μA)	Less than 0.5 CV (after 2 minutes)
C : Rated capacitance (μF) ; V : Rated voltage (V) (20°C)		
Tangent of the loss angle (tanδ)	Less than 0.12 (20°C,120Hz)	
Characteristics at high and low temperature	Impedance ratio (max.)	
	Z-25°C/Z+20°C : 1.15 Z-55°C/Z+20°C : 1.25 (100kHz)	
Endurance (105°C) (Applied ripple current)	Test time	2000 hours
	Leakage current	The initial specified value or less
	Percentage of capacitance change	Within ±20% of initial value
	Tangent of the loss angle	150% or less of the initial specified value
	E.S.R. change	150% or less of the initial specified value
Bias Humidity 60°C, 90 to 95%RH	Test time	500 hours
	Leakage current	The initial specified value or less
	Percentage of capacitance change	Within ±20% of initial value
	Tangent of the loss angle	150% or less of the initial specified value
	E.S.R. change	150% or less of the initial specified value
Characteristics of applied surge voltage	The capacitors shall be subject to 1000 cycles each consisting of charge with the surge voltage specified at 105°C for 30 seconds through a protective resistor (Rc=1kΩ) in 6 minutes per cycle. Surge voltage : 1.15 times of rated voltage	
	Leakage current	The initial specified value or less
	Percentage of capacitance change	Within ±20% of initial value
	Tangent of the loss angle	150% or less of the initial specified value
	E.S.R. change	150% or less of the initial specified value
Failure rate	0.5% per 1000 hours maximum (Confidence level 60% at 105°C)	

*Note : If any doubt arises, measure the leakage current after following voltage application treatment.
Voltage application treatment : DC rated voltage are applied to the capacitors for 120 minutes at 105°C.

Outline Drawing

Unit : mm

φD	L	A	B	C	W	P	Casing symbol
6.3	5.7	6.6	6.6	2.7	0.5 to 0.8	2.0	F60
8	6.7	8.4	8.4	3.0	0.5 to 0.8	3.1	G70
10	7.7	10.4	10.4	3.2	0.7 to 1.1	4.7	H80

- Soldering conditions are described on page 13.
- Land pattern size are described on page 11.
- The taping specifications are described on page 14.

Part numbering system (example : 35V100μF)					
PVS	35	V	101	M	H80
Series code	Rated voltage symbol		Rated capacitance symbol	Capacitance tolerance symbol	Casing symbol
					Taping symbol

Standard Ratings

Rated voltage (V) Rated capacitance (μF)	Item	35			50			63		
		Case	ESR	Rated ripple current	Case	ESR	Rated ripple current	Case	ESR	Rated ripple current
		φD×L (mm)	(mΩ max.)	(mA _{rms})	φD×L (mm)	(mΩ max.)	(mA _{rms})	φD×L (mm)	(mΩ max.)	(mA _{rms})
18	—	—	—	—	—	—	8×6.7	55	2300	
22	—	—	—	—	—	—	—	—	—	
27	6.3×5.7	40	2600	8×6.7	45	2600	—	—	—	
33	—	—	—	—	—	—	—	—	—	
39	—	—	—	—	—	—	10×7.7	50	3000	
47	8×6.7	35	2800	—	—	—	—	—	—	
56	—	—	—	10×7.7	40	3200	—	—	—	
68	—	—	—	—	—	—	—	—	—	
82	—	—	—	—	—	—	—	—	—	
100	10×7.7	30	3500	—	—	—	—	—	—	

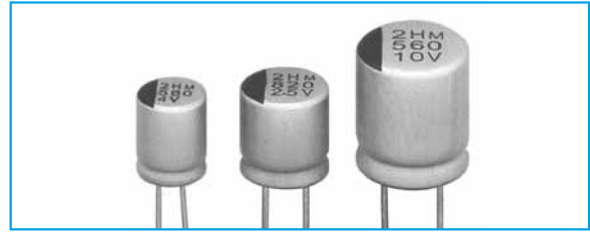
(Note) Rated ripple current : 105°C, 100kHz ; ESR. : 20°C, 100kHz

Radial lead Type

GREEN CAP Low ESR 105°C 2000hours Anti-cleaning solvent

- Low E.S.R. and high ripple current are realized.
- Guaranteed 105°C, 2000 hours.

PRM



Marking color : Red print

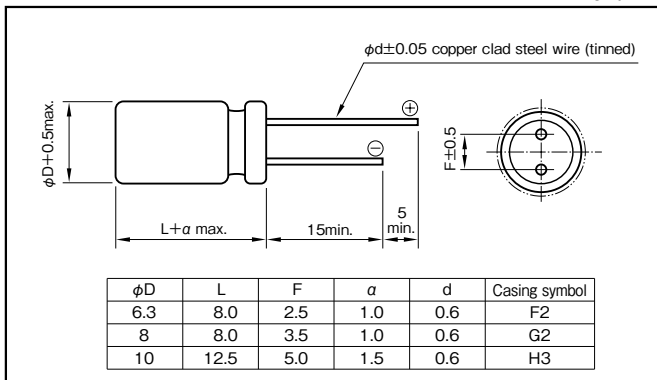
Specifications

Item	Performance	
Category temperature range (°C)	-55 to +105	
Tolerance at rated capacitance (%)	±20 (20°C,120Hz)	
Leakage current (μA) *Note	Less than 0.2CV or 500 whichever is larger (after 2 minutes) C : Rated capacitance (μF) ; V : Rated voltage (V) (20°C)	
Tangent of the loss angle (tanδ)	Less than 0.12 (20°C,120Hz)	
Characteristics at high and low temperature	Impedance ratio (max.) Z-55°C / Z+20°C : 1.50 (100kHz)	
Endurance (105°C) (Applied ripple current)	Test time	2000 hours
	Leakage current	The initial specified value or less
	Percentage of capacitance change	Within ±20% of initial value
	Tangent of the loss angle	150% or less of the initial specified value
	E.S.R. change	200% or less of the initial specified value
Damp heat, steady state (humidity) 60°C, 90 to 95%RH	Test time	500 hours
	Leakage current	The initial specified value or less
	Percentage of capacitance change	Within ±20% of initial value
	Tangent of the loss angle	150% or less of the initial specified value
	E.S.R. change	200% or less of the initial specified value
Characteristics of applied surge voltage	The capacitors shall be subject to 1000 cycles each consisting of charge with the surge voltage specified at 105°C for 30 seconds through a protective resistor (Rc=1kΩ) in 6 minutes per cycle. Surge voltage : 1.15 times of rated voltage	
	Leakage current	The initial specified value or less
	Percentage of capacitance change	Within ±20% of initial value
	Tangent of the loss angle	150% or less of the initial specified value
	E.S.R. change	200% or less of the initial specified value
Failure rate	0.5% per 1000 hours maximum (Confidence level 60% at 105°C)	

*Note : If any doubt arises, measure the leakage current after following voltage application treatment.
Voltage application treatment : DC rated voltage are applied to the capacitors for 120 minutes at 105°C.

Outline Drawing

Unit : mm



- Soldering conditions are described on page 12.
- The taping specifications are described on page 17,18.

Part numbering system (example : 4V561 M F2 B)						
PRM	4	V	561	M	F2	B
Series code	Rated voltage symbol	Rated capacitance symbol	Capacitance tolerance symbol	Casing symbol	Optional symbol	Taping symbol

Standard Ratings

Rated voltage (V) Rated capacitance (µF)	2.5				4				6.3				10			
	Item		ESR (mΩ max.)	Rated ripple current (mA rms)	Case		ESR (mΩ max.)	Rated ripple current (mA rms)	Case		ESR (mΩ max.)	Rated ripple current (mA rms)	Case		ESR (mΩ max.)	Rated ripple current (mA rms)
	φD×L (mm)	tan δ			φD×L (mm)	tan δ			φD×L (mm)	tan δ			φD×L (mm)	tan δ		
220	—	—	—	—	—	—	—	—	—	—	—	—	6.3×8.0	0.10	10	4680
270	—	—	—	—	—	—	—	—	—	—	—	—	6.3×8.0	0.10	10	4680
330	6.3×8.0	0.10	7	5600	—	—	—	—	6.3×8.0	0.10	10	4680	8×8.0	0.08	10	5000
390	—	—	—	—	—	—	—	—	—	—	—	—	8×8.0	0.08	10	5000
470	6.3×8.0	0.10	7	5600	—	—	—	—	6.3×8.0	0.10	7	5600	8×8.0	0.08	8	5700
560	6.3×8.0	0.10	7	5600	6.3×8.0	0.10	7	5600	8×8.0	0.08	7	6100	10×12.5	0.12	12	5300
680	—	—	—	—	8×8.0	0.08	6	6100	8×8.0	0.08	8	5700	—	—	—	—
820	8×8.0	0.08	6	6100	8×8.0	0.08	6	6100	10×12.5	0.12	10	5500	—	—	—	—
1000	8×8.0	0.08	6	6100	10×12.5	0.12	8	5500	10×12.5	0.12	10	5500	—	—	—	—
1200	10×12.5	0.12	8	5500	10×12.5	0.12	8	5500	—	—	—	—	—	—	—	—
1500	10×12.5	0.12	8	5500	—	—	—	—	—	—	—	—	—	—	—	—

(Note) Rated ripple current : 105°C , 100kHz ; ESR : 20°C , 100kHz

MEMO

Aluminum Electrolytic Capacitors

■ Cautions for Using Aluminum Electrolytic Capacitors

Please read product specifications before using ELNA products.

The following cautions should be observed when using our aluminum electrolytic capacitors to assure their maximum stability and performance. When your application design conditions or operating conditions exceed the limit of the product specification, please contact us. If used under conditions beyond the limit of our specifications, it may cause defects such as short circuit, open circuit, leakage, explosion or combustion.

■ Cautions for usage

1. DC electrolytic capacitors are polarized.

- If used with a wrong polarity, it creates an abnormal current resulting in a short circuit or damage to itself. Use DC bipolar electrolytic capacitors for use with uncertain or unknown polarity. DC capacitors cannot be used in AC circuits.

2. Use within the rated voltage.

- If a voltage exceeding the rated voltage is applied, it may cause characteristic deterioration or damage due to the increased leakage current.
- When ripple current is loaded, make sure that the peak value of the ripple voltage does not exceed the rated voltage.

3. Using for power supply circuit.

- While aluminum electrolytic capacitors are operated electrolyte liquid inside dries up and E.S.R. (Equivalent Series Resistance) of the capacitor increases. In case operated longer than rated life time, the capacitance much decreases, tangent of loss angle and E.S.R. much increases. Therefore for some case the sum of bias direct voltage and the peak of ripple voltage is over the rated voltage of the capacitor.
- For any type of circuit, in case the sum of bias direct voltage and the peak of ripple voltage is over the rated voltage of the capacitors or in case the minimum voltage is lower than 0 (zero) volt, the voltage control for the capacitors shall be provided.

4. Do not use in a circuit which requires rapid charging or discharging.

- If used in a circuit requiring rapid charging or discharging, it may cause characteristic deterioration or damage to itself due to the heat generated inside the capacitor. In such cases, contact us for our rapid charging/discharging capacitors.

5. Use within the rated ripple current.

- If applied ripple current exceeds rated ripple current, the life of the capacitor may be shortened, or in an extreme case it gets destroyed due to its internal heat. Use high-ripple type capacitors for such circuits.

6. Changes in characteristics due to operating temperature.

- The characteristics of an electrolytic capacitor will change with a change in the temperature. Such changes are temporary and the original characteristics will be restored at the original temperature (if the characteristics are not deteriorated by remaining at a high temperature for a long time). If used at a

temperature exceeding the guaranteed temperature range, the capacitor may be damaged due to the increased leakage current. Pay attention to the capacitor temperature being affected by the ambient temperature of the unit, the temperature inside the appliance, the heat radiated by another hot component in the unit and the heat inside the capacitor itself due to the ripple current.

- (1)The electrostatic capacitance is normally shown as the value at 20°C-120Hz. It increases as the temperature raises and decreases as it lowers.
- (2)The tangent of loss angle ($\tan\delta$) is normally shown as the value at 20°C-120Hz. It decreases as the ambient temperature gets high and increases as it gets low.
- (3)The leakage current increases as the temperature gets high and decreases as it gets low.

7. Changes in the characteristics due to frequency.

- The characteristics of an electrolytic capacitor will change according to the change in the operating frequency.
- (1)The electrostatic capacity is normally shown as the value at 20°C-120Hz. It decreases as the frequency increases.
 - (2)The tangent of loss angle ($\tan\delta$) is normally shown as the value at 20°C-120Hz. It increases as the frequency gets high.
 - (3)The impedance is normally shown as the value at 100kHz 20°C. It increases as the frequency lowers.

8. Aluminum electrolytic capacitor life.

- The life of an aluminum electrolytic capacitor terminates when it fails due to the deterioration in its electronic characteristics. Temperature and the ripple current since they especially affect the life. See chart on page.

9. Changes in aluminum electrolytic capacitors during storage.

- After storage for a long period, whether unused of mounted on the appliance, the leakage current of an aluminum electrolytic capacitor will increase. This tendency is more prominent when the ambient temperature is high. If a capacitor has been stored for more than 2 years under normal temperature (shorter if high temperature) and it shows increased leakage current, a treatment by voltage application is recommended. Addition of a protective circuit in the design of the appliance is also recommended, considering the effect of the initial increased current.

NOTE : Design, Specifications are subject to change without notice.
It is recommended that you shall obtain technical specifications from ELNA to ensure that the component is suitable for your use.

10. Insulation between the capacitor case and the cathode terminal.

- The capacitor case and the cathode terminal are connected through the electrolyte which has uncertain resistance. If a complete insulation of the case is necessary, add an insulator at assembly.

11. NC terminal (the supplemental terminal) (series RPK, LJ6, LJ2)

- Since NC terminal is not insulated. It should be mounted at a position electronically independent from all other parts of the circuit.

12. External sleeve

- During a preheating or a hardening of mounting adhesive may cause a sleeve cracked. The capacitors are usually sleeved with poly vinyl chloride or poly ethylene terephthalate for the indication purpose only. Please do not consider it as an insulation.

13. Fumigation Process

- When exporting electronic equipment abroad, fumigation process may be performed on wooden packaging material with a halogen (compound) gas such as methyl bromide. Exercise care as this halogen gas may corrode capacitors. Also, use caution to epidemic preventive agent as corrosive component such as halogen may be contained.

14. Specific Operating Environments

- Capacitors may corrode when stored or used in a place filled with acidic toxic gases (such as hydrogen sulfide, sulfurous acid, nitrous acid, chlorine, bromine, methyl bromide, etc.) If capacitors are used or stored in such environments, please let us know.

15. Use at a high altitude

- The use of capacitors at high altitudes such as on an airplane causes a large difference between the internal pressure of the capacitors and the atmospheric pressure. However, there is no problem in use under atmospheric pressure up to about an altitude of 10,000 meters. Please check the operation of electronic equipment at the operating environmental temperature because the temperature lowers with increased altitude. If the condition is severe like space, please contact us.

16. Hole pitch adjustment of the PCB to the capacitors.

- Set the hole pitch of the PCB to the lead pitch (the "F" distance in the catalog) of the capacitor. Be careful since a short circuit, a cut or an increase in the leakage current etc. may be caused by the stress given to the lead wire terminals due to the difference between the hole pitch and the lead pitch.

17. Capacitors with pressure valves.

- A part of the capacitor case is made thin to have the function as the pressure valve in order to prevent explosion due to the rise of inside pressure when a reverse or excessive voltage is applied to the capacitor. Once it has worked as a valve, the whole capacitor needs to be replaced since the valve will not restore.
- When you use a capacitor with pressure valve, provide certain space above the pressure valve as below to prevent an interference when it works as a valve.

Diameter of the capacitor (mm)	18 or less	20 to 40
Required space above the valve (mm)	2.0	3.0

18. Double-sided PCB's

- When you use electrolytic capacitors on a double sided PCB, be careful not to have the circuit pattern run under where the capacitor is mounted. Otherwise it may cause a short circuit on the PCB depending on the condition of mounting.

19. Regarding to connection of capacitors

- Aluminum electrolytic capacitor has electrolyte liquid so that the most portion of electric loss characteristics came from E.S.R(Equivalent Series Resistance) of electrolyte liquid. Therefore the capacitor is an electronic devise which can flow high ripple current in case the temperature increases and it decreases E.S.R.
In case connecting two capacitors or more, E.S.R. of the capacitors is close to the resistance of the circuit. Therefore in case current is unbalanced and some capacitors has high ripple current, temperature increase, it makes more high current and finally it is over the rated ripple current.
For parallel connection of capacitors the proper design of electric circuit such as balancing of each capacitors resistance or control of total ripple current shall be provided to avoid excess ripple current and voltage.
- When two or more capacitors are arranged in series, the voltage given to each capacitors shall be kept below the rated voltage level, by also giving consideration to the balance of the voltage impressed on the capacitors. Further, partial pressure resistor which considers leakage current shall be provided parallel to each condenser not to have over-voltage impressed on.
Balance resistance are explained on p.106 of our Catalog.

■Cautions for Mounting

1. Cautions for mounting.

- Check the ratings (electrostatic capacitance and rated voltage) of the capacitor before mounting.
- Check the polarity of the capacitor to the chassis.
- Do not drop the capacitor to the floor. Do not use

NOTE : Design, Specifications are subject to change without notice. It is recommended that you shall obtain technical specifications from ELNA to ensure that the component is suitable for your use.

the dropped capacitor.

- Do not deform the capacitor for mounting.

2. Do not apply excessive pressure to the capacitor, its terminals or lead wires.

- Make sure that the contact path of the capacitor meets the hole pitch of the PCB before mounting.
- Transient recovery voltage may be generated in the capacitor due to dielectric absorption. If required, this voltage can be discharged with a resistor with a value of about 1 kΩ.
- A PCB self-standing (snap-in) type capacitor should be pushed to the end (till there is no space) to the PCB for mounting.
- Do not set the automatic insertion machine to clinch the capacitor lead wires too strong.
- Pay attention to the impact given by the component receptacles of the automatic insertion/mounting machines and the product checker, and from the centering operation.

3. Soldering.

- Do not dip the capacitor into melted solder.
- The soldering conditions
 - Chip type : Please refer to 13 page.
 - small and large type : 260°C, 10 s (max.)
 The preliminary heating and other conditions described in the catalog or product specifications.
- Do not flux other part than the terminals.
- If there is a direct contact between the sleeve of the capacitor and the printed circuit pattern or a metal part of another component such as a lead wire, it may cause shrinkage or crack.
- When you use the capacitor with its sleeve touching directly to the PCB, excessive solder temperature or excessive soldering time may cause the sleeve to shrink or crack during the heat.
- If the application is for extended use, understand and manage the soldering characteristics to avoid abnormal current caused by a contact failure between the capacitor and the PCB.

4. Handling after soldering.

- After soldering, do not tilt, push down or twist the capacitor.
- After soldering, do not hold the capacitor as a handle to carry the PCB.
- After soldering, do not hit the capacitor with any obstacle. If PCB's are piled up for storage, the capacitor should not touch another PCB or component.

5. Cleaning after Soldering

- Recommended cleaning method
 - (1)cleaning solutions:
 - (a) CLEANTHROUGH 710M, 750H, 750L
 - (b) PINEALPHA ST-100S
 - (c) Techno Care FRW-4~17
 - (d) Isopropyl alcohol (2-propanol)

(2)Cleaning conditions:

- (a) The temperature of cleaning solution shall be less than 60°C.
 - (b) Use immersion or ultrasonic waves within two minutes.
 - (c) After cleaning, capacitors and PCB's shall thoroughly be rinsed and dried with hot blast for more than 10 minutes. The temperature of such breeze should be less than the upper category temperature.
 - (d) After cleaning, do not keep capacitors in cleaning solution atmosphere or airtight containers.
- During cleaning, control the cleaning solution against contamination.

6. Fixing adhesives and coating materials.

- Do not use fixing adhesive or coating material containing halogen-based solvent.
- Before applying the fixing adhesive or the coating material, make sure that there is no remaining flux or stains between the PCB and the sealed part of the capacitor.
- Before applying the fixing adhesive or the coating material, make sure that the detergent etc. has dried up.
- Do not cover the whole surface of the sealed part (terminal side) of the capacitor with the fixing adhesive or the coating material.
- Observe the description in the catalog or the product specifications concerning the thermal stiffening conditions of the fixing adhesive or the coating material. (If there is no such description, contact us.) When both discrete and SMT components are on the same PCB, the fixing material for the SMT components may cause crack, tear or shrinkage on the external sleeve depending on the thermal stiffening condition.
- Recommended fixing adhesives and coating materials
 - Fixing adhesives : Cemedine 1500, Diabond DN83K, Bond G103
 - Coating materials : Taffy TF1159, HumiSeal 1B66NS, 1A27NS

■ Other Cautions

1. Do not touch capacitor terminals with bare hands.

You may get electric shock or your hand may be burnt. Discharge it with a 1 KΩ resistance before use if necessary.

2. Do not short the capacitor terminals with a conductor.

Do not spill conductive solution including acid or alkaline solution on the capacitor.

3. Periodical inspections should be established for the capacitors used in industrial appliances.

- The following items should be checked:

NOTE : Design, Specifications are subject to change without notice.
It is recommended that you shall obtain technical specifications from ELNA to ensure that the component is suitable for your use.

- (1) Appearance : Check if there is any open valve or leakage.
- (2) Electronic performance : Check the leakage current, the electrostatic capacitance, the tangent of loss angle and other items described in the catalog or the product specifications.

4. Take the following measures in case of emergency.

- If you see gas coming out of the capacitor valve when the set is in operation, turn off the power switch of the unit or unplug the power cord from the outlet.
- Keep your face away from the capacitor pressure valve, since the high temperature gas at over 100°C bursts out when the valve works. If the gas gets into your eyes or your mouth, wash your eyes or your mouth. Do not ingest the capacitor electrolyte. If the electrolyte gets on your skin, wash it out with soap.

5. Storing conditions.

- Avoid high temperature or high humidity when storing capacitors. Keep the storing temperature at 5°C to 35°C and the relative humidity not more than 75%.
- The leakage current of an aluminum electrolytic capacitor tends to increase when stored for a long time. This tendency becomes more prominent if the ambient temperature is high. The leakage current will be decreased by voltage application. If necessary, treatment by voltage application should

be made on the capacitors which have been stored for a long period (more than 2 years after production).

- Do not store capacitors at a place where there is a possibility that they may get water, salt or oil spill.
- Do not store capacitors at a place where the air contains dense hazardous gas (hydrogen sulfide, sulfurous acid, nitrous acid, chlorine, ammonia, etc.).
- Fumigation treatment with toxic gas covering the whole wooden container frames as moth proofing during shipment may leave residual toxic gas.
- Do not store capacitors at a place where it gets ultraviolet or radioactive rays.

6. Disposing of capacitors.

- Punch a hole or crush the capacitors (to prevent explosion) before incineration at approved facility.
- If they are not to be incinerated, bring them to a professional industrial waste disposal company.

7. Other notes.

- Please refer to the following literature for anything not described in the product specifications or the catalog.

(Technical report of Japan Electronics and Information Technology Industries Association, EIAJ RCR-2367C “Guideline of notabilia for fixed aluminum electrolytic capacitors for use in electronic equipment”)

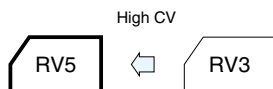
MEMO

Chip Type Aluminum Electrolytic Capacitors

Chip Type 85°C High CV Capacitors

GREEN CAP SMD Anti-cleaning solvent

- Compatible with surface mounting.
- Supplied with carrier taping.
- Guarantees 2000 hours at 85°C.



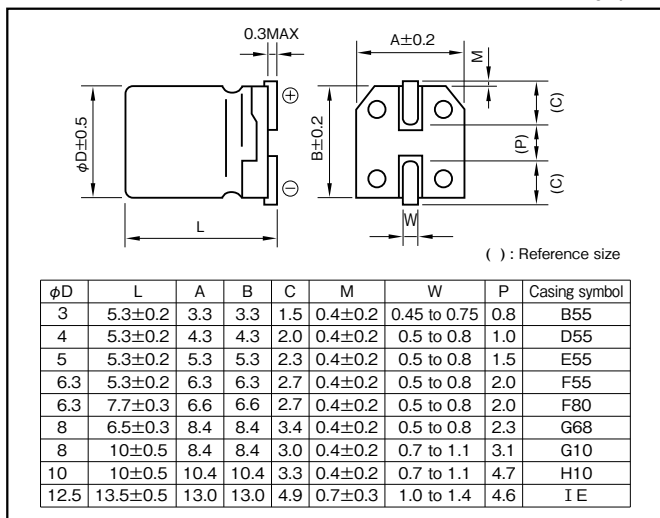
Marking color : Black print

Specifications

Item	Performance											
Category temperature range (°C)	-40 to +85											
Tolerance at rated capacitance (%)	±20 (20°C, 120Hz)											
Leakage current (µA)	Less than 0.01CV or 3 whichever is larger (after 2 minutes) C : Rated capacitance (µF) ; V : Rated voltage (V) (20°C)											
Tangent of loss angle (tanδ)	Rated voltage (V)	4	6.3	10	16	25	35	50	63	100		
	tanδ (max.)	Refer to following page. (20°C, 120Hz)										
Characteristics at high and low temperature	Impedance ratio (max.)	Rated voltage (V)		4	6.3	10	16	25	35	50	63	100
		Z-25°C/Z+20°C	7	4	3	2	2	2	2	2	2	2
		Z-40°C/Z+20°C	17	10	8	6	4	3	3	3	3	3
Endurance (85°C) (Applied ripple current)	Test time	2000 hours (φ3 : 1000 hours)										
	Leakage current	The initial specified value or less										
	Percentage of capacitance change	Within ±30% of initial value										
	Tangent of the loss angle	200% or less of the initial specified value										
Shelf life (85°C)	Test time : 1000 hours; other items are the same as those for the endurance. Voltage application treatment : According to JIS C5101-1											
Applicable standards	JIS C5101-1 1998, -18 1999 (IEC 60384-1 1992, -18 1993)											

Outline Drawing

Unit : mm



- Soldering conditions are described on page 13.
- Land pattern size are described on page 11.
- The taping specifications are described on page 14.

Coefficient of Frequency for Rated Ripple Current

Rated voltage (V)	Frequency (Hz)			
	50 · 60	120	1k	10k · 100k
4 to 16	0.80	1	1.15	1.25
25 to 35	0.80	1	1.25	1.40
50 to 63	0.80	1	1.35	1.50
100	0.70	1	1.35	1.50

Part numbering system (example : 16V470µF)

RV5	—	16	V	471	M	G10	U	—	□
Series code		Rated voltage symbol		Rated capacitance symbol	Capacitance tolerance symbol	Casing symbol			Taping symbol

Standard Ratings

Rated voltage(V) Rated capacitance(μF)	4				6.3				10				16				25			
	Case φD×L (mm)	Casing symbol	tan δ	Rated ripple current (mAmps)	Case φD×L (mm)	Casing symbol	tan δ	Rated ripple current (mAmps)	Case φD×L (mm)	Casing symbol	tan δ	Rated ripple current (mAmps)	Case φD×L (mm)	Casing symbol	tan δ	Rated ripple current (mAmps)	Case φD×L (mm)	Casing symbol	tan δ	Rated ripple current (mAmps)
4.7	-	-	-	-	-	-	-	-	-	-	-	-	-	-	-	-	3×5.3	B55	0.16	11
10	-	-	-	-	-	-	-	-	4×5.3	D55	0.24	23	3×5.3	B55	0.22	18	3×5.3	B55	0.18	16
22	3×5.3	B55	0.42	14	3×5.3	B55	0.35	21	3×5.3	B55	0.32	20	4×5.3	D55	0.20	26	4×5.3	D55	0.18	23
33	4×5.3	D55	0.42	31	4×5.3	D55	0.28	31	4×5.3	D55	0.24	26	4×5.3	D55	0.28	30	4×5.3	D55	0.18	24
47	4×5.3	D55	0.42	37	4×5.3	D55	0.35	28	4×5.3	D55	0.32	32	5×5.3	E55	0.20	44	5×5.3	E55	0.18	43
100	5×5.3	E55	0.42	63	5×5.3	E55	0.28	44	5×5.3	E55	0.24	48	5×5.3	E55	0.28	44	5×5.3	E55	0.18	54
150	-	-	-	-	5×5.3	E55	0.35	34	4×5.3	D55	0.32	33	5×5.3	E55	0.28	52	6.3×5.3	F55	0.18	75
220	6.3×5.3	F55	0.42	110	5×5.3	E55	0.28	52	5×5.3	E55	0.32	54	6.3×5.3	F55	0.20	75	6.3×5.3	F55	0.18	75
330	-	-	-	-	5×5.3	E55	0.35	58	5×5.3	E55	0.32	54	6.3×5.3	F55	0.20	70	6.3×7.7	F80	0.18	124
470	-	-	-	-	6.3×5.3	F55	0.28	89	6.3×5.3	F55	0.24	98	6.3×5.3	F55	0.20	70	8×6.5	G68	0.18	118
680	-	-	-	-	6.3×5.3	F55	0.35	83	6.3×5.3	F55	0.32	79	6.3×7.7	F80	0.28	109	-	-	-	-
820	-	-	-	-	6.3×5.3	F55	0.35	88	6.3×7.7	F80	0.32	173	6.3×7.7	F80	0.28	162	-	-	-	-
1000	-	-	-	-	6.3×7.7	F80	0.35	113	8×6.5	G68	0.32	175	8×10	G10	0.20	220	8×10	G10	0.14	252
1500	-	-	-	-	6.3×7.7	F80	0.35	188	8×10	G10	0.24	230	8×10	G10	0.20	260	8×10	G10	0.18	300
2200	-	-	-	-	8×6.5	G68	0.35	190	8×10	G10	0.24	230	8×10	G10	0.20	260	10×10	H10	0.14	458
					8×10	G10	0.28	262	8×10	G10	0.32	310	8×10	G10	0.28	307	10×10	H10	0.14	458
					8×10	G10	0.35	320	8×10	G10	0.32	310	10×10	H10	0.20	458	10×10	H10	0.14	458
					10×10	H10	0.28	458	10×10	H10	0.24	454	12.5×13.5	IE	0.20	521	12.5×13.5	IE	0.14	552
					10×10	H10	0.35	489	12.5×13.5	IE	0.24	560	-	-	-	-	-	-	-	-
					12.5×13.5	IE	0.28	651	-	-	-	-	-	-	-	-	-	-	-	-

Rated voltage(V) Rated capacitance(μF)	35				50				63				100			
	Case φD×L (mm)	Casing symbol	tan δ	Rated ripple current (mAmps)	Case φD×L (mm)	Casing symbol	tan δ	Rated ripple current (mAmps)	Case φD×L (mm)	Casing symbol	tan δ	Rated ripple current (mAmps)	Case φD×L (mm)	Casing symbol	tan δ	Rated ripple current (mAmps)
0.22	-	-	-	-	3×5.3	B55	0.12	2	-	-	-	-	-	-	-	-
0.33	-	-	-	-	4×5.3	D55	0.10	5	-	-	-	-	-	-	-	-
0.47	-	-	-	-	3×5.3	B55	0.12	3	-	-	-	-	-	-	-	-
1	-	-	-	-	4×5.3	D55	0.10	6	-	-	-	-	-	-	-	-
2.2	3×5.3	B55	0.14	8	3×5.3	B55	0.12	6	-	-	-	-	-	-	-	-
3.3	3×5.3	B55	0.14	9	4×5.3	D55	0.10	10	-	-	-	-	-	-	-	-
4.7	3×5.3	B55	0.14	13	3×5.3	B55	0.12	9	4×5.3	D55	0.12	12	-	-	-	-
10	4×5.3	D55	0.14	27	4×5.3	D55	0.10	19	5×5.3	E55	0.12	20	-	-	-	-
22	5×5.3	E55	0.12	34	5×5.3	E55	0.10	26	6.3×5.3	F55	0.12	32	8×10	G10	0.10	94
33	6.3×5.3	F55	0.14	67	6.3×5.3	F55	0.10	44	6.3×7.7	F80	0.12	60	8×10	G10	0.12	94
47	6.3×5.3	F55	0.14	54	6.3×5.3	F55	0.12	47	8×6.5	G68	0.12	62	8×10	G10	0.12	94
100	6.3×7.7	F80	0.14	120	6.3×7.7	F80	0.12	82	8×10	G10	0.10	139	10×10	H10	0.10	189
220	8×10	G10	0.14	260	8×10	G10	0.10	83	8×10	G10	0.10	139	10×10	H10	0.12	189
330	10×10	H10	0.14	360	8×10	G10	0.12	252	10×10	H10	0.12	226	12.5×13.5	IE	0.10	242
470	12.5×13.5	IE	0.12	451	10×10	H10	0.10	458	10×10	H10	0.10	226	-	-	-	-
					12.5×13.5	IE	0.10	451	12.5×13.5	IE	0.10	343	-	-	-	-

(Note) Rated ripple current : 85° C, 120Hz

Chip Type 85°C Capacitors (height:4.5mm)

GREEN CAP

SMD

Anti-cleaning solvent

- Compatible with surface mounting for 4.5mm height capacitors.
- Supplied with carrier taping.
- Guarantees 2000 hours at 85°C.



↑ Low Profile



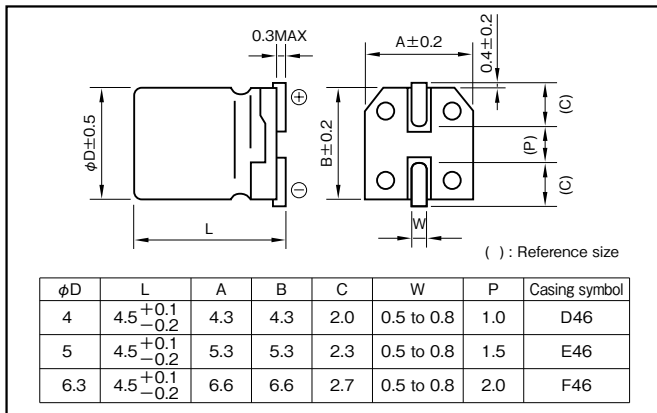
Marking color : Black print

Specifications

Item	Performance							
Category temperature range (°C)	-40 to +85							
Tolerance at rated capacitance (%)	±20 (20°C,120Hz)							
Leakage current (μA)	Less than 0.01CV or 3 whichever is larger (after 2 minutes) C : Rated capacitance (μF) ; V : Rated voltage (V) (20°C)							
Tangent of loss angle (tanδ)	Rated voltage (V)	6.3	10	16	25	35	50	
	tanδ (max.)	0.30	0.24	0.19	0.16	0.14	0.12	
Characteristics at high and low temperature	Rated voltage (V)	6.3	10	16	25	35	50	
	Impedance ratio (max.)	Z-25°C/Z+20°C	4	3	2	2	2	2
		Z-40°C/Z+20°C	8	8	4	4	3	3
Endurance (85°C) (Applied ripple current)	Test time	2000 hours						
	Leakage current	The initial specified value or less						
	Percentage of capacitance change	Within ±20% of initial value						
	Tangent of the loss angle	300% or less of the initial specified value						
Shelf life (85°C)	Test time : 1000 hours ; other items are the same as those for the endurance. Voltage application treatment : According to JIS C5101-1							
Applicable standards	JIS C5101-1 1998, -18 1999 (IEC 60384-1 1992, -18 1993)							

Outline Drawing

Unit : mm



- Soldering conditions are described on page 13.
- Land pattern size are described on page 11.
- The taping specifications are described on page 14.

Coefficient of Frequency for Rated Ripple Current

Rated voltage (V)	Frequency (Hz)			
	50 · 60	120	1k	10k · 100k
6.3 to 16	0.80	1	1.15	1.25
25 to 35	0.70	1	1.25	1.40
50	0.1 to 3.3μF	0.50	1	1.35
	4.7 to 10μF	0.70	1	1.35

Part numbering system (example : 6.3V47μF)

RV4	—	6	V	470	M	E46	U	□
Series code		Rated voltage symbol		Rated capacitance symbol	Capacitance tolerance symbol	Casing symbol		Taping symbol

Standard Ratings

Rated voltage (V)	6.3			10			16			25			35			50		
	Case	ESR (Ω)	Rated ripple current (mA)	Case	ESR (Ω)	Rated ripple current (mA)	Case	ESR (Ω)	Rated ripple current (mA)	Case	ESR (Ω)	Rated ripple current (mA)	Case	ESR (Ω)	Rated ripple current (mA)	Case	ESR (Ω)	Rated ripple current (mA)
0.22	—	—	—	—	—	—	—	—	—	—	—	—	—	—	—	4	905	4
0.33	—	—	—	—	—	—	—	—	—	—	—	—	—	—	—	4	603	5
0.47	—	—	—	—	—	—	—	—	—	—	—	—	—	—	—	4	423	6
1	—	—	—	—	—	—	—	—	—	—	—	—	—	—	—	4	199	8
2.2	—	—	—	—	—	—	—	—	—	—	—	—	—	—	—	4	90	12
3.3	—	—	—	—	—	—	—	—	—	—	—	—	—	—	—	4	60	15
4.7	—	—	—	—	—	—	—	—	—	4	56	17	4	49	18	5	42	21
10	—	—	—	—	—	—	4	32	22	5	27	28	5	23	30	6.3	20	35
22	4	23	26	5	18	34	5	14	38	6.3	12	49	6.3	11	52	—	—	—
33	5	15	37	5	12	42	6.3	10	55	6.3	8	60	—	—	—	—	—	—
47	5	11	45	6.3	8	59	6.3	7	76	—	—	—	—	—	—	—	—	—
100	6.3	5	76	—	—	—	—	—	—	—	—	—	—	—	—	—	—	—

(Note) Rated ripple current : 85°C, 120Hz ; ESR : 20°C, 120Hz

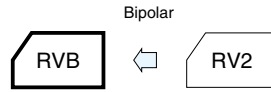
Chip Type Bipolar Capacitors (height:5.5mm)

GREEN CAP

SMD

Anti-cleaning solvent

- Compatible with surface mounting for 5.5mm height capacitors.
- Supplied with carrier taping.
- Guarantees 2000 hours at 85°C.



Marking color : Black print

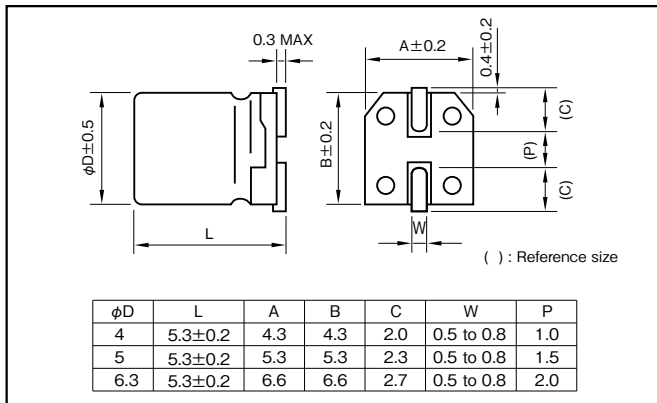
Specifications

Item	Performance
Category temperature range (°C)	-40 to +85
Tolerance at rated capacitance (%)	±20 (20°C, 120Hz)
Leakage current (µA)	Less than 0.01CV or 3 whichever is larger (after 2 minutes) C : Rated capacitance (µF) ; V : Rated voltage (V) (20°C)
Tangent of loss angle (tanδ)	Rated voltage (V)
	tanδ (max.)
Characteristics at high and low temperature	Rated voltage (V)
	Impedance ratio (max.)
Endurance (85°C) (Applied ripple current)	Test time
	Leakage current
	Percentage of capacitance change
	Tangent of the loss angle
Shelf life (85°C)	Test time : 1000hours; other items are the same as those for the endurance. Voltage application treatment : According to JIS C5101-1
Applicable standards	JIS C5101-1 1998, -18 1999 (IEC 60384-1 1992, -18 1993)

CHIP ALUMINUM

Outline Drawing

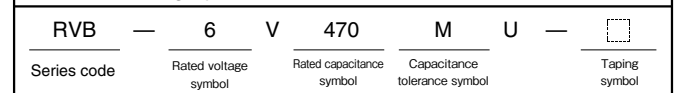
Unit : mm



Coefficient of Frequency for Rated Ripple Current

Frequency (Hz)	50 · 60	120	1k	10k · 100k
Rated voltage (V)				
6.3 to 16	0.80	1	1.15	1.25
25 to 35	0.80	1	1.25	1.40
50	0.80	1	1.35	1.50

Part numbering system (example : 6.3V47µF)



- Soldering conditions are described on page 13.
- Land pattern size are described on page 11.
- The taping specifications are described on page 14.

Standard Ratings

Rated capacitance (µF)	6.3			10			16			25			35			50		
	Case	ESR (Ω)	Rated ripple current (mArms)	Case	ESR (Ω)	Rated ripple current (mArms)	Case	ESR (Ω)	Rated ripple current (mArms)	Case	ESR (Ω)	Rated ripple current (mArms)	Case	ESR (Ω)	Rated ripple current (mArms)	Case	ESR (Ω)	Rated ripple current (mArms)
0.22	—	—	—	—	—	—	—	—	—	—	—	—	—	—	—	4	1510	3.3
0.33	—	—	—	—	—	—	—	—	—	—	—	—	—	—	—	4	1010	4.1
0.47	—	—	—	—	—	—	—	—	—	—	—	—	—	—	—	4	706	4.9
1	—	—	—	—	—	—	—	—	—	—	—	—	—	—	—	4	332	7.2
2.2	—	—	—	—	—	—	—	—	—	—	—	—	4	151	10	5	113	14
3.3	—	—	—	—	—	—	—	—	—	—	—	—	4	101	13	5	75	17
4.7	—	—	—	—	—	—	4	88	14	5	53	20	5	53	21	6.3	53	24
10	—	—	—	4	50	18	5	33	26	6.3	25	35	6.3	25	35	—	—	—
22	5	23	27	6.3	19	40	6.3	15	45	—	—	—	—	—	—	—	—	—
33	6.3	15	45	6.3	13	50	6.3	10	55	—	—	—	—	—	—	—	—	—
47	6.3	11	54	—	—	—	—	—	—	—	—	—	—	—	—	—	—	—

(Note) Rated ripple current : 85°C, 120Hz ; ESR : 20°C, 120Hz

Chip Type 105°C Standard Capacitors

GREEN CAP

SMD

105°C
1000hours

Anti-cleaning solvent

- Compatible with surface mounting.
- Supplied with carrier taping.
- Guarantees 1000 hours at 105°C.



High temperature



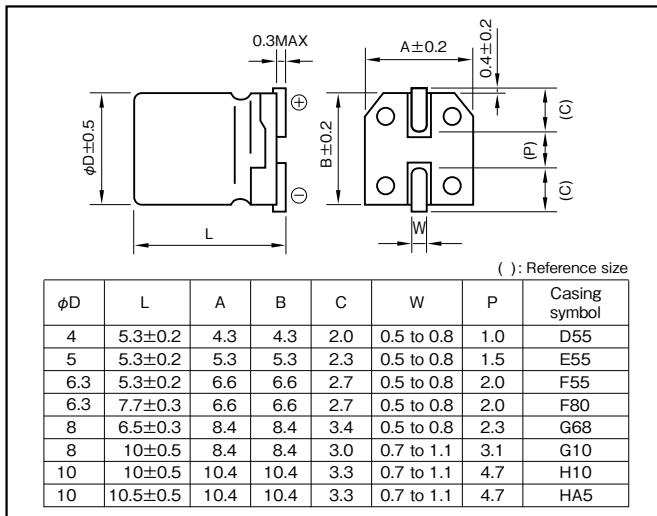
Marking color : Black print

Specifications

Item	Performance						
Category temperature range (°C)	-55 to +105						
Tolerance at rated capacitance (%)	±20 (20°C, 120Hz)						
Leakage current (µA)	Less than 0.01CV or 3 whichever is larger (after 2 minutes) C : Rated capacitance (µF) ; V : Rated voltage (V) (20°C)						
Tangent of loss angle (tanδ)	Rated voltage (V)	6.3	10	16	25	35	50
	tanδ (max.)	0.30	0.26	0.22	0.16	0.13	0.12
Characteristics at high and low temperature	Impedance ratio (max.)	Z-25°C/Z+20°C	4	3	2	2	2
		Z-40°C/Z+20°C	8	5	4	3	3
Endurance (105°C) (Applied ripple current)	Test time	1000 hours					
	Leakage current	The initial specified value or less					
	Percentage of capacitance change	Within ±20% of initial value					
	Tangent of the loss angle	200% or less of the initial specified value					
Shelf life (105°C)	Test time : 1000 hours; other items are the same as those for the endurance. Voltage application treatment : According to JIS C5101-1						
Applicable standards	JIS C5101-1 1998, -18 1999 (IEC 60384-1 1992, -18 1993)						

Outline Drawing

Unit : mm



Coefficient of Frequency for Rated Ripple Current

Frequency (Hz)	50·60	120	1k	10k·100k
Rated voltage (V)				
6.3 to 16	0.80	1	1.15	1.25
25 to 35	0.80	1	1.25	1.40
50	0.80	1	1.35	1.50

Part numbering system (example : 16V47µF)

RVS	—	16	V	470	M	F55	U	□
Series code		Rated voltage symbol		Rated capacitance symbol	Capacitance tolerance symbol	Casing symbol		Taping symbol

- Soldering conditions are described on page 13.
- Land pattern size are described on page 11.
- The taping specifications are described on page 14.

Standard Ratings

Rated capacitance (μF)	Rated voltage (V)	6.3			10			16			25			35			50		
		Case	ESR	Rated ripple current	Case	ESR	Rated ripple current	Case	ESR	Rated ripple current	Case	ESR	Rated ripple current	Case	ESR	Rated ripple current	Case	ESR	Rated ripple current
		φD×L(mm)	(Ω)	(mAmps)	φD×L(mm)	(Ω)	(mAmps)	φD×L(mm)	(Ω)	(mAmps)	φD×L(mm)	(Ω)	(mAmps)	φD×L(mm)	(Ω)	(mAmps)	φD×L(mm)	(Ω)	(mAmps)
0.22	—	—	—	—	—	—	—	—	—	—	—	—	—	—	—	4×5.3	905	3	
0.33	—	—	—	—	—	—	—	—	—	—	—	—	—	—	—	4×5.3	603	4	
0.47	—	—	—	—	—	—	—	—	—	—	—	—	—	—	—	4×5.3	424	5	
1	—	—	—	—	—	—	—	—	—	—	—	—	—	—	—	4×5.3	199	7	
2.2	—	—	—	—	—	—	—	—	—	—	—	—	—	—	—	4×5.3	91	10	
3.3	—	—	—	—	—	—	—	—	—	—	—	—	—	—	—	4×5.3	60	12	
4.7	—	—	—	—	—	—	—	—	—	4×5.3	57	12	4×5.3	46	14	5×5.3	42	17	
10	—	—	—	4×5.3	43	15	4×5.3	36	16	5×5.3	27	21	5×5.3	22	23	6.3×5.3	20	26	
22	4×5.3	23	21	5×5.3	20	25	5×5.3	17	28	6.3×5.3	12	36	6.3×5.3	10	50	8×6.5	9.0	51	
33	5×5.3	15	30	5×5.3	13	31	6.3×5.3	11	40	6.3×5.3	8.0	44	8×6.5	6.5	59	6.3×7.7	6.0	60	
47	5×5.3	11	36	6.3×5.3	9.2	43	6.3×5.3	7.8	47	8×6.5	5.6	66	—	—	—	6.3×7.7	4.2	63	
100	6.3×5.3	5.0	61	6.3×5.3	4.3	60	6.3×5.3	3.6	60	6.3×7.7	2.7	91	6.3×7.7	2.2	84	8×10	2.0	140	
150	—	—	—	—	—	—	6.3×7.7	2.4	105	8×10	1.8	140	8×10	1.4	155	10×10	1.3	180	
220	8×6.5	2.3	102	6.3×7.7	2.0	105	6.3×7.7	1.7	105	8×10	1.2	155	8×10	0.98	190	10×10.5	0.91	220	
330	6.3×7.7	1.5	105	8×10	1.3	195	8×10	1.1	195	8×10	0.80	190	10×10.5	0.65	300	—	—	—	
470	8×10	1.1	210	8×10	0.92	210	8×10	0.78	230	10×10	0.57	300	—	—	—	—	—	—	
680	8×10	0.73	210	10×10	0.63	310	10×10	0.54	310	—	—	—	—	—	—	—	—	—	
1000	8×10	0.50	210	10×10	0.43	310	—	—	—	—	—	—	—	—	—	—	—	—	
1500	10×10	0.33	310	—	—	—	—	—	—	—	—	—	—	—	—	—	—	—	

(Note) Rated ripple current : 105°C , 120Hz ; ESR : 20°C , 120Hz

Chip Type 105°C Capacitors (height:6.0mm)

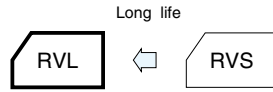
GREEN CAP

SMD

105°C
2000hours

Anti-cleaning solvent

- Compatible with surface mounting for 6.0mm height capacitors.
- Supplied with carrier taping.
- Guarantees 2000 hours at 105°C.



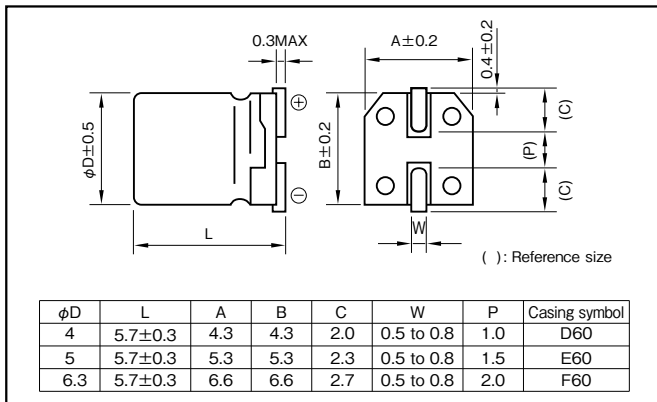
Marking color : Black print

Specifications

Item	Performance							
Category temperature range (°C)	-55 to +105							
Tolerance at rated capacitance (%)	±20 (20°C,120Hz)							
Leakage current (μA)	Less than 0.01CV or 3 whichever is larger (after 2 minutes) C : Rated capacitance (μF) ; V : Rated voltage (V) (20°C)							
Tangent of loss angle (tanδ)	Rated voltage (V)	6.3	10	16	25	35	50	
	tanδ (max.)	0.32	0.28	0.24	0.18	0.15	0.14	
Characteristics at high and low temperature	Impedance ratio (max.)	Z-25°C/Z+20°C	4	3	2	2	2	
		Z-40°C/Z+20°C	8	5	4	3	3	
Endurance (105°C) (Applied ripple current)	Test time	2000 hours						
	Leakage current	The initial specified value or less						
	Percentage of capacitance change	Within ±30% of initial value						
	Tangent of the loss angle	300% or less of the initial specified value						
Shelf life (105°C)	Test time : 1000hours ; other items are the same as those for the endurance. Voltage application treatment : According to JIS C5101-1							
Applicable standards	JIS C5101-1 1998, -18 1999 (IEC 60384-1 1992, -18 1993)							

Outline Drawing

Unit : mm

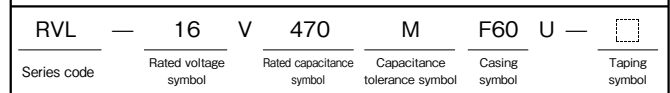


- Soldering conditions are described on page 13.
- Land pattern size are described on page 11.
- The taping specifications are described on page 14.

Coefficient of Frequency for Rated Ripple Current

Rated voltage (V)	Frequency (Hz)			
	50 · 60	120	1k	10k · 100k
6.3 to 16	0.80	1	1.15	1.25
25 · 35	0.80	1	1.25	1.40
50	0.1 to 3.3μF	0.50	1	1.35
	4.7 to 10μF	0.70	1	1.35

Part numbering system (example : 16V47μF)



Standard Ratings

Rated capacitance (μF)	6.3			10			16			25			35			50		
	Case	ESR (Ω)	Rated ripple current (mAmps)	Case	ESR (Ω)	Rated ripple current (mAmps)	Case	ESR (Ω)	Rated ripple current (mAmps)	Case	ESR (Ω)	Rated ripple current (mAmps)	Case	ESR (Ω)	Rated ripple current (mAmps)	Case	ESR (Ω)	Rated ripple current (mAmps)
0.22	—	—	—	—	—	—	—	—	—	—	—	—	—	—	—	4×5.7	1055	5
0.33	—	—	—	—	—	—	—	—	—	—	—	—	—	—	—	4×5.7	703	6
0.47	—	—	—	—	—	—	—	—	—	—	—	—	—	—	—	4×5.7	494	7
1	—	—	—	—	—	—	—	—	—	—	—	—	—	—	—	4×5.7	232	12
2.2	—	—	—	—	—	—	—	—	—	—	—	—	—	—	—	4×5.7	105	19
3.3	—	—	—	—	—	—	—	—	—	—	—	—	—	—	—	4×5.7	70	22
4.7	—	—	—	—	—	—	—	—	—	4×5.7	63	21	4×5.7	53	23	5×5.7	49	29
10	—	—	—	—	—	—	4×5.7	40	27	5×5.7	30	36	5×5.7	25	39	6.3×5.7	23	47
22	—	—	—	—	—	—	5×5.7	18	46	6.3×5.7	14	62	6.3×5.7	11	65	—	—	—
33	—	—	—	—	—	—	6.3×5.7	12	66	6.3×5.7	9.0	76	—	—	—	—	—	—
47	—	—	—	6.3×5.7	9.9	74	6.3×5.7	8.5	78	—	—	—	—	—	—	—	—	—
100	6.3×5.7	5.3	99	—	—	—	—	—	—	—	—	—	—	—	—	—	—	—

(Note) Rated ripple current : 105°C, 120Hz ; ESR : 20°C, 120Hz

Chip Type, 105°C Use, Large Capacitance Capacitors

GREEN CAP

SMD

105°C
2000hours

Anti-cleaning solvent

- Compatible with surface mounting.
- Supplied with carrier taping.
- Guarantees 2000 hours at 105°C.
($\phi 12.5 \times 13.5L$: 5000 hours at 105°C)



High temperature



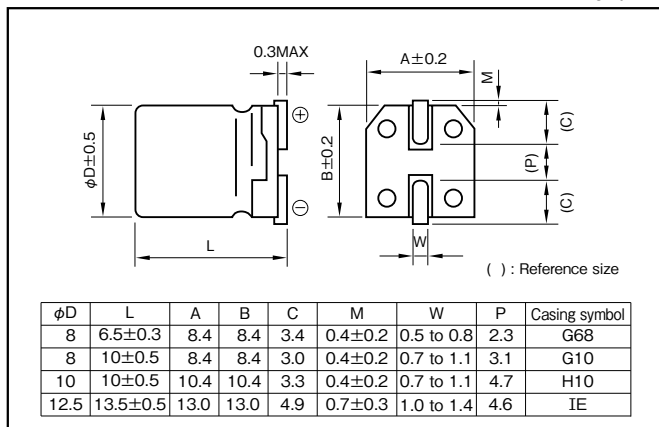
Marking color : Black print ($\phi 8 \times 6.5L$)
White print on a brown sleeve ($\phi 8 \times 10L - \phi 12.5 \times 13.5L$)

Specifications

Item	Performance									
Category temperature range (°C)	-55 to +105									
Tolerance at rated capacitance (%)	±20 (20°C, 120Hz)									
Leakage current (μA)	Less than 0.01CV or 3 whichever is larger (after 2 minutes) C : Rated capacitance (μF) ; V : Rated voltage (V) (20°C)									
Tangent of loss angle (tanδ)	Rated voltage (V)	6.3	10	16	25	35	50	63	100	
	tanδ (max.)	0.30	0.24	0.22	0.16	0.13	0.12	0.11	0.10	(20°C, 120Hz)
Characteristics at high and low temperature	Rated voltage (V)	6.3	10	16	25	35	50	63	100	
	Impedance ratio (max.)	Z-25°C/Z+20°C	4	3	2	2	2	2	2	2
Endurance (105°C) (Applied ripple current)	Test time	2000 hours ($\phi 12.5 \times 13.5L$: 5000 hours)								
	Leakage current	The initial specified value or less								
	Percentage of capacitance change	Within ±20% of initial value								
	Tangent of the loss angle	200% or less of the initial specified value								
Shelf life (105°C)	Test time : 1000 hours ; other items are the same as those for the endurance. Voltage application treatment : According to JIS C5101-1									
Applicable standards	JIS C 5101-1 1998, -18 1999 (IEC 60384-1 1992, -18 1993)									

Outline Drawing

Unit : mm



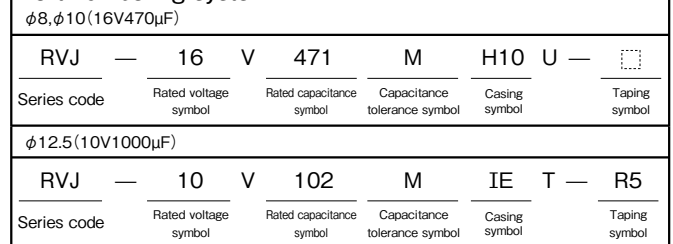
- Soldering conditions are described on page 13.
- Land pattern size are described on page 11.
- The taping specifications are described on page 14.

Coefficient of Frequency for Rated Ripple Current

Rated voltage (V)	Frequency (Hz)			
	50 · 60	120	1k	10k · 100k
6.3 to 16	0.80	1	1.15	1.25
25 to 35	0.80	1	1.25	1.40
50 to 63	0.80	1	1.35	1.50
100	0.70	1	1.35	1.50

Rated capacitance(μF)	Frequency (Hz)			
	120	1k	10k	100k
47	0.50	0.76	0.87	1
100 to 220	0.70	0.85	0.90	1
330 to 1000	0.80	0.93	0.98	1

Part numbering system



Standard Ratings

Rated capacitance (μF)	6.3		10		16		25		35		50		63		100			
	Case	Rated ripple current (mA)	Case	Rated ripple current (mA)	Case	Rated ripple current (mA)	Case	Rated ripple current (mA)	Case	Rated ripple current (mA)	Case	Rated ripple current (mA)	Case	Rated ripple current (mA)	Case	Rated ripple current (mA)		
10	—	—	—	—	—	—	—	—	—	—	—	—	—	—	—	—		
22	—	—	—	—	—	—	—	—	—	—	—	—	—	—	—	—		
33	—	—	—	—	—	—	—	—	—	—	—	—	—	—	—	—		
47	—	—	—	—	—	—	—	—	—	—	—	—	—	—	—	—		
100	—	—	—	—	—	—	—	—	—	—	—	—	—	—	—	—		
220	8×10	G10	178	8×10	G10	178	10×10	H10	324	10×10	H10	324	10×10	H10	324	10×10	H10	324
330	8×10	G10	178	10×10	H10	324	10×10	H10	324	10×10	H10	324	12.5×13.5	IE	747*	—	—	—
470	10×10	H10	324	10×10	H10	324	10×10	H10	324	12.5×13.5	IE	747*	12.5×13.5	IE	747*	—	—	—
1000	10×10	H10	324	10×10	H10	324	12.5×13.5	IE	747*	—	—	—	—	—	—	—	—	—
	12.5×13.5	IE	747*	12.5×13.5	IE	747*	—	—	—	—	—	—	—	—	—	—	—	—

NOTE : Design, Specifications are subject to change without notice.
It is recommended that you shall obtain technical specifications from ELNA to ensure that the component is suitable for your use.

Chip type, 105°C Use, Long Life, High CV Capacitors

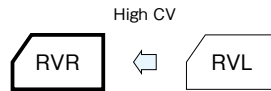
GREEN CAP

SMD

105°C
2000hours

Anti-cleaning solvent

- Compatible with surface mounting.
- Supplied with carrier taping.
- Guarantees 2000 hours 105°C.



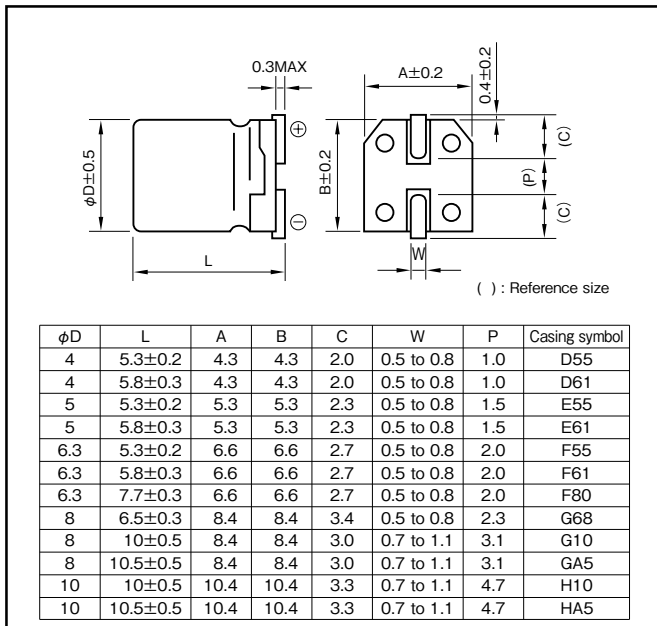
Marking color : Black print

Specifications

Item	Performance									
Category temperature range (°C)	-40 to +105									
Tolerance at rated capacitance (%)	±20 (20°C, 120Hz)									
Leakage current (µA)	Less than 0.01CV or 3 whichever is larger (after 2 minutes) C : Rated capacitance (µF), V : Rated voltage (V) (20°C)									
Tangent of loss angle (tanδ)	Rated voltage (V)	4	6.3	10	16	25	35	50		
	tanδ (max.)	0.50	0.30	0.22	0.16	0.14	0.12	0.12		
Characteristics at high and low temperature	Impedance ratio (max.)	Rated voltage (V)		4	6.3	10	16	25	35	50
		Z-25°C/Z+20°C	7	4	3	2	2	2	2	
		Z-40°C/Z+20°C	15	8	6	4	4	3	3	
Endurance (105°C)	Test time	2000 hours								
	Leakage current	The initial specified value or less								
	Percentage of capacitance change	Within ±20% of initial value (φ5 or Smaller & 16V or less: ±30%)								
	Tangent of loss angle	200% or less of the initial specified value								
Shelf life (105°C)	Test time : 1000 hours ; other items are the same as those for the endurance. Voltage application treatment									
Applicable standards	JIS C5101-1 1998, -18 1999 (IEC 60384-1 1992, -18 1993)									

Outline Drawing

Unit : mm



Coefficient of Frequency for Rated Ripple Current

Frequency (Hz)	50 - 60	120	1k	10k · 100k
Rated voltage (V)				
6.3 to 16	0.80	1	1.15	1.25
25 to 35	0.80	1	1.25	1.40
50	0.50	1	1.35	1.50

Part numbering system (example : 16V100µF)

RVR	—	16	V	101	M	F61	U	□
Series code		Rated voltage symbol		Rated capacitance symbol	Capacitance tolerance symbol	Casing symbol		Taping symbol

- Soldering conditions are described on page 13.
- Land pattern size are described on page 11.
- The taping specifications are described on page 14.

Standard Ratings

Rated voltage(V) Rated capacitance(μF)	Item	4			6.3			10			16			25					
		Case φD×L (mm)	Casing symbol	Rated ripple current (mArms)	Case φD×L (mm)	Casing symbol	Rated ripple current (mArms)	Case φD×L (mm)	Casing symbol	Rated ripple current (mArms)	Case φD×L (mm)	Casing symbol	Rated ripple current (mArms)	Case φD×L (mm)	Casing symbol	Rated ripple current (mArms)			
4.7	-	-	-	-	-	-	-	-	-	-	-	-	4×5.3	D55	22				
6.8	-	-	-	-	-	-	-	-	-	-	-	-	4×5.3	D55	25				
10	-	-	-	-	-	-	-	-	-	-	4×5.3	D55	25	4×5.8	D61	36			
22	-	-	-	4×5.3	D55	26	4×5.8	D61	33	4×5.8	D61	27	5×5.8	E61	48				
				4×5.8	D61	28				4×5.8	D61	39							
33	-	-	-	5×5.8	E61	40	6.3×5.8	F61	74	4×5.8	D61	41	5×5.8	E61	46				
										5×5.3	E55	43	6.3×5.8	F61	66	5×5.8	E61	55	
										5×5.8	E61	47	6.3×5.8	F61	78	6.3×5.8	F61	112	
47	4×5.8	D61	42	4×5.8	D61	42	6.3×5.8	F61	95	5×5.3	E55	46	5×5.8	E61	59				
				5×5.8	E61	48				6.3×5.3	F55	70	6.3×5.3	F55	70				
				5×5.8	E61	70				6.3×5.8	F61	99	6.3×5.8	F61	112				
100	5×5.8	E61	70	6.3×5.3	F55	71	6.3×5.8	F61	95	6.3×5.8	F61	112	6.3×7.7	F80	132				
				6.3×5.8	F61	99							8×6.5	G68	146				
150	-	-	-	-	-	-	6.3×5.8	F61	117	8×6.5	G68	151	-	-	-				
220	6.3×5.8	F61	121	6.3×5.8	F61	121	6.3×7.7	F80	156	6.3×7.7	F80	183	8×10	G10	320				
							8×6.5	G68	173	8×6.5	G68	157	8×10.5	GA5	291	8×10.5	GA5	340	
330	6.3×7.7	F80	163	6.3×7.7	F80	163	8×10	G10	296	8×10.5	GA5	291	8×10.5	GA5	340				
							8×6.5	G68	181							8×10.5	GA5	296	
470	-	-	-	8×10	G10	320	8×10	G10	326	8×10	G10	348	10×10.5	HA5	490				
				8×10.5	GA5	320	8×10.5	GA5	326	8×10.5	GA5	348							
680	-	-	-	8×10.5	GA5	340	10×10	H10	440	10×10	H10	484	-	-	-				
820	-	-	-	-	-	-	-	-	-	-	10×10.5	HA5	484	-	-	-			
																	8×10.5	GA5	370
																	10×10	H10	495
1000	-	-	-	10×10.5	HA5	495	10×10.5	HA5	500	-	-	-	-	-	-	-			
				10×10.5	HA5	495													
1200	-	-	-	-	-	-	10×10.5	HA5	500	-	-	-	-	-	-	-			
1500	-	-	-	10×10.5	HA5	550	-	-	-	-	-	-	-	-	-	-			

CHIP
ALUMINUM

Rated voltage(V) Rated capacitance(μF)	Item	35			50				
		Case φD×L (mm)	Casing symbol	Rated ripple current (mArms)	Case φD×L (mm)	Casing symbol	Rated ripple current (mArms)		
0.22	-	-	-	4×5.3	D55	2			
0.33	-	-	-	4×5.3	D55	3			
0.47	-	-	-	4×5.3	D55	5			
1	-	-	-	4×5.3	D55	10			
				4×5.8	D61	12			
2.2	-	-	-	4×5.3	D55	16			
				4×5.8	D61	19			
3.3	-	-	-	4×5.3	D55	16			
				4×5.8	D61	22			
4.7	4×5.8	D61	23	4×5.8	D61	26			
				5×5.3	E55	23			
				5×5.8	E61	29			
6.8	-	-	-	5×5.3	E55	23			
10	4×5.8	D61	30	5×5.8	E61	35			
				5×5.3	E55	28	6.3×5.3	F55	35
				5×5.8	E61	39	6.3×5.8	F61	47
22	5×5.8	E61	52	6.3×5.8	F61	61			
							6.3×5.3	F55	55
33	6.3×5.8	F61	74	6.3×7.7	F80	82			
				8×6.5	G68	91			
47	6.3×5.8	F61	89	6.3×7.7	F80	97			
				8×6.5	G68	108			
68	6.3×7.7	F80	117	-	-	-			
				8×6.5	G68	130			
100	6.3×7.7	F80	142	8×10.5	GA5	230			
							8×6.5	G68	158
							8×10	G10	283
							8×10.5	GA5	283
150	8×10	G10	293	10×10.5	HA5	300			
							8×10.5	GA5	293
220	8×10.5	GA5	302	10×10.5	HA5	375			
							10×10	H10	450
330	10×10.5	HA5	450	-	-	-			

(Note) Rated ripple current : 105° C, 120Hz

NOTE : Design, Specifications are subject to change without notice.
It is recommended that you shall obtain technical specifications from ELNA to ensure that the component is suitable for your use.

Chip Type, 105°C Use, Long Life Capacitors

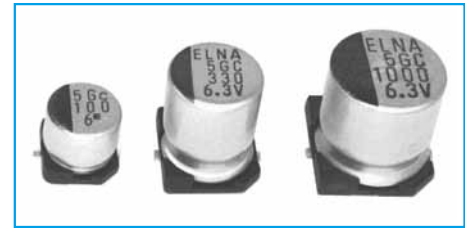
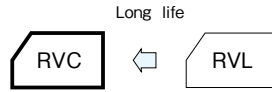
GREEN CAP

SMD

105°C
3000hours

Anti-cleaning solvent

- Compatible with surface mounting.
- Supplied with carrier taping.
- Guarantees 3000 hours at 105°C.
(10L:5000 hours).



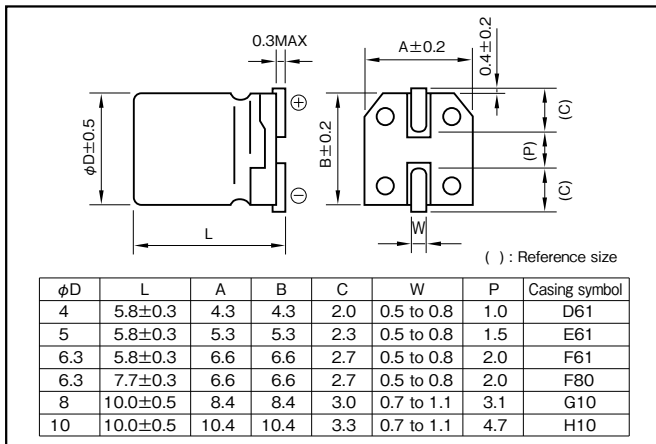
Marking color : Black print

Specifications

Item	Performance						
Category temperature range (°C)	-40 to +105						
Tolerance at rated capacitance (%)	±20 (20°C,120Hz)						
Leakage current (µA)	Less than 0.01CV or 3 whichever is larger (after 2 minutes) C : Rated capacitance (µF), V : Rated voltage (V) (20°C)						
Tangent of loss angle (tanδ)	Rated voltage (V)	6.3	10	16	25	35	50
	tanδ (max.)	0.28	0.24	0.20	0.16	0.13	0.12
Characteristics at high and low temperature	Impedance ratio (max.)	Z-25°C/Z+20°C	4	3	2	2	2
		Z-40°C/Z+20°C	10	7	5	3	3
Endurance (105°C)	Test time	3000 hours (10L : 5000 hours)					
	Leakage current	The initial specified value or less					
	Percentage of capacitance change	Within ±30% of initial value					
	Tangent of the loss angle	300% or less of initial specified value					
Shelf life (105°C)	Test time : 1000 hours ; other items are the same as those for the endurance. Voltage application treatment : According to JIS C5101-1						
Applicable standards	JIS C5101-1 1998, -18 1999 (IEC 60384-1 1992, -18 1993)						

Outline Drawing

Unit : mm



- Soldering conditions are described on page 13.
- Land pattern size are described on page 11.
- The taping specifications are described on page 14.

Coefficient of Frequency for Rated Ripple Current

Rated voltage (V)	Frequency (Hz)			
	50	120	1k	10k·100k
6.3 to 16	0.8	1	1.15	1.25
25 to 35	0.8	1	1.25	1.40
50	0.1 to 3.3µF	0.5	1	1.35
	4.7 or more	0.7	1	1.35

Part numbering system (example : 16V47µF)

RVC	—	16	V	470	M	F61	U	—	□
Series code		Rated voltage symbol		Rated capacitance symbol	Capacitance tolerance symbol	Casing symbol			Taping symbol

NOTE : Design, Specifications are subject to change without notice.
It is recommended that you shall obtain technical specifications from ELNA to ensure that the component is suitable for your use.

Standard Ratings

Rated voltage (V)	Item	6.3			10			16			25			35			50		
		Case φD×L(mm)	Casing symbol	Rated ripple current mArms	Case φD×L(mm)	Casing symbol	Rated ripple current mArms	Case φD×L(mm)	Casing symbol	Rated ripple current mArms	Case φD×L(mm)	Casing symbol	Rated ripple current mArms	Case φD×L(mm)	Casing symbol	Rated ripple current mArms	Case φD×L(mm)	Casing symbol	Rated ripple current mArms
0.33	—	—	—	—	—	—	—	—	—	—	—	—	—	—	—	4×5.8	D61	3.2	
0.47	—	—	—	—	—	—	—	—	—	—	—	—	—	—	—	4×5.8	D61	5.0	
1	—	—	—	—	—	—	—	—	—	—	—	—	—	—	—	4×5.8	D61	10	
2.2	—	—	—	—	—	—	—	—	—	—	—	—	—	—	—	4×5.8	D61	16	
3.3	—	—	—	—	—	—	—	—	—	—	—	—	—	—	—	4×5.8	D61	17	
4.7	—	—	—	—	—	—	—	—	—	—	—	—	4×5.8	D61	16	5×5.8	E61	23	
10	—	—	—	—	—	—	4×5.8	D61	28	—	—	—	5×5.8	E61	28	6.3×5.8	F61	35	
22	4×5.8	D61	26	—	—	—	5×5.8	E61	39	—	—	—	6.3×5.8	F61	55	6.3×7.7	F80	58	
33	—	—	—	5×5.8	E61	43	—	—	—	6.3×5.8	F61	60	6.3×7.7	F80	57	8×10	G10	91	
47	5×5.8	E61	46	—	—	—	6.3×5.8	F61	70	6.3×7.7	F80	65	—	—	—	8×10	G10	100	
100	6.3×5.8	F61	71	—	—	—	6.3×7.7	F80	81	8×10	G10	130	—	—	—	10×10	H10	160	
220	6.3×7.7	F80	101	8×10	G10	160	—	—	—	—	—	—	10×10	H10	220	—	—	—	
330	8×10	G10	230	—	—	—	—	—	—	10×10	H10	238	—	—	—	—	—	—	
470	—	—	—	—	—	—	10×10	H10	340	—	—	—	—	—	—	—	—	—	
1000	10×10	H10	313	—	—	—	—	—	—	—	—	—	—	—	—	—	—	—	

(Note) Rated ripple current : 105°C, 120Hz

Chip Type, 105°C Use, Low Impedance, Long Life Capacitors

GREEN CAP

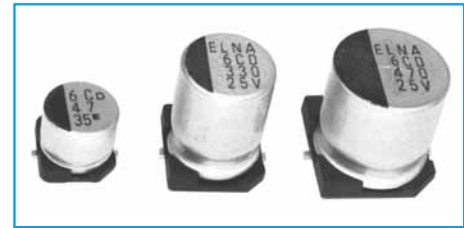
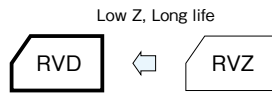
SMD

Low Z

105°C
2000hours

Anti-cleaning solvent

- Compatible with surface mounting.
- Supplied with carrier taping.
- Guarantees 2000 hours at 105°C.
(6.3 to 50V 10.0L,10.5L:5000 hours)
(φ12.5x13.5L: 5000 hours)



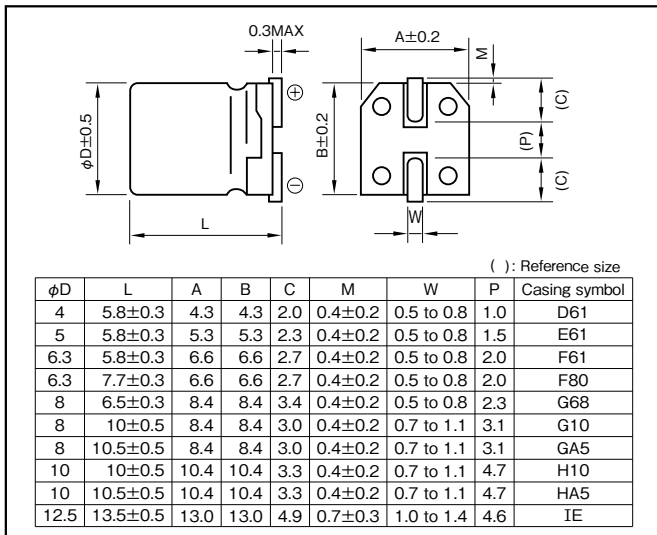
Marking color : Black print

Specifications

Item	Performance													
Category temperature range (°C)	-55 to +105													
Tolerance at rated capacitance (%)	±20 (20°C,120Hz)													
Leakage current (μA)	Less than 0.01CV or 3 whichever is larger (after 2 minutes) C : Rated capacitance (μF) , V : Rated voltage (V) (20°C)													
Tangent of loss angle (tanδ)	Rated voltage (V)	6.3	10	16	25	35	50	63	80	100				
	tanδ (max.)	0.26	0.19	0.16	0.14	0.12	0.10	0.08	0.08	0.07				
Characteristics at high and low temperature	Impedance ratio (max.)	Rated voltage (V)												
		Z-25°C/Z+20°C	2	2	2	2	2	2	2	2	2	2		
		Z-40°C/Z+20°C	3	3	3	3	3	3	3	3	3	3		
		Z-55°C/Z+20°C	8	4	4	3	3	3	3	3	3	3		
Endurance (105°C)	Test time	2000 hours (6.3 to 50V 10.0L,10.5L,φ12.5x13.5L : 5000 hours)												
	Leakage current	The initial specified value or less												
	Percentage of capacitance change	Within ±30% of initial value												
	Tangent of the loss angle	200% or less of the initial specified value (6.3 to 50V 10.0L,10.5L,φ12.5x13.5L : 300% or less)												
Shelf life (105°C)	Test time : 1000 hours ; other items are the same as those for the endurance. Voltage application treatment : According to JIS C5101-1													
Applicable standards	JIS C 5101-1 1998, -18 1999(IEC 60384-1 1992, -18 1993)													

Outline Drawing

Unit : mm



- Soldering conditions are described on page 13.
- Land pattern size are described on page 11.
- The taping specifications are described on page 14.

Coefficient of Frequency for Rated Ripple Current

Frequency (Hz)	50	120	1k	10k·100k
Rated voltage (V)	0.50	0.50	0.75	1
6.3 to 100	0.50	0.50	0.75	1

Part numbering system

φ 10X10.5L or less (16V100μF)

RVD	—	16	V	101	M	F61	U	—	□
Series code		Rated voltage symbol		Rated capacitance symbol	Capacitance tolerance symbol	Casing symbol			Taping symbol

In the case of "for High Temperature Reflow" type, a series name is "RZB".

φ 12.5X13.5 (16V1000μF)

RVD	—	16	V	102	M	IE	T	—	R5
Series code		Rated voltage symbol		Rated capacitance symbol	Capacitance tolerance symbol	Casing symbol			Taping symbol

NOTE : Design, Specifications are subject to change without notice. It is recommended that you shall obtain technical specifications from ELNA to ensure that the component is suitable for your use.

Standard Ratings

Rated voltage (V)	Item	6.3				10				16			
		Case	Casing symbol	Impedance	Rated ripple current	Case	Casing symbol	Impedance	Rated ripple current	Case	Casing symbol	Impedance	Rated ripple current
		φD×L (mm)		(Ω max.)	(mArms)	φD×L (mm)		(Ω max.)	(mArms)	φD×L (mm)		(Ω max.)	(mArms)
10	—	—	—	—	—	—	—	—	—	4×5.8	D61	1.35	90
22	4×5.8	D61	1.35	90	4×5.8	D61	1.35	90	4×5.8	D61	1.35	90	
33	—	—	—	—	4×5.8	D61	1.35	90	5×5.8	E61	0.70	170	
	—	—	—	—	5×5.8	E61	0.70	170	—	—	—	—	
47	4×5.8	D61	1.35	90	—	—	—	—	5×5.8	E61	0.70	170	
	5×5.8	E61	0.70	170	—	—	—	—	6.3×5.8	F61	0.36	250	
100	5×5.8	E61	0.70	170	—	—	—	—	6.3×5.8	F61	0.36	250	
	6.3×5.8	F61	0.36	250	—	—	—	—	6.3×5.8	F61	0.36	250	
220	6.3×5.8	F61	0.36	250	6.3×7.7	F80	0.30	300	6.3×7.7	F80	0.30	300	
	—	—	—	—	8×6.5	G68	0.30	300	8×6.5	G68	0.30	300	
330	6.3×7.7	F80	0.30	300	8×10	G10	0.16	600	8×10	G10	0.16	600	
	8×6.5	G68	0.30	300	—	—	—	—	—	—	—	—	
470	8×10	G10	0.16	600	8×10	G10	0.16	600	8×10	G10	0.16	600	
680	—	—	—	—	8×10	G10	0.16	600	10×10	H10	0.09	850	
	—	—	—	—	—	—	—	—	10×10.5	HA5	0.08	850	
1000	8×10	G10	0.16	600	10×10	H10	0.09	850	12.5×13.5	IE	0.054	1160	
	—	—	—	—	10×10.5	HA5	0.08	850	—	—	—	—	
1500	10×10	H10	0.09	850	12.5×13.5	IE	0.054	1160	12.5×13.5	IE	0.054	1160	
	10×10.5	HA5	0.08	850	—	—	—	—	—	—	—	—	
2200	12.5×13.5	IE	0.054	1160	12.5×13.5	IE	0.054	1160	—	—	—	—	

Rated voltage (V)	Item	25				35				50			
		Case	Casing symbol	Impedance	Rated ripple current	Case	Casing symbol	Impedance	Rated ripple current	Case	Casing symbol	Impedance	Rated ripple current
		φD×L (mm)		(Ω max.)	(mArms)	φD×L (mm)		(Ω max.)	(mArms)	φD×L (mm)		(Ω max.)	(mArms)
4.7	—	—	—	—	4×5.8	D61	1.35	90	4×5.8	D61	2.7	60	
10	4×5.8	D61	1.35	90	4×5.8	D61	1.35	90	5×5.8	E61	1.5	90	
	—	—	—	—	5×5.8	E61	0.70	170	6.3×5.8	F61	0.86	170	
22	5×5.8	E61	0.70	170	5×5.8	E61	0.70	170	6.3×5.8	F61	0.86	170	
33	5×5.8	E61	0.70	170	6.3×5.8	F61	0.36	250	6.3×7.7	F80	0.66	195	
	6.3×5.8	F61	0.36	250					8×6.5	G68	0.63	200	
47	6.3×5.8	F61	0.36	250	6.3×5.8	F61	0.36	250	6.3×7.7	F80	0.66	195	
	—	—	—	—					8×6.5	G68	0.63	200	
100	6.3×7.7	F80	0.30	300	6.3×7.7	F80	0.30	300	8×10	G10	0.34	350	
	8×6.5	G68	0.30	300	8×10	G10	0.16	600	8×10.5	GA5	0.32	350	
220	8×10	G10	0.16	600	8×10	G10	0.16	600	10×10	H10	0.20	700	
									10×10.5	HA5	0.18	700	
330	8×10	G10	0.16	600	10×10	H10	0.09	850	12.5×13.5	IE	0.12	900	
					10×10.5	HA5	0.08	850					
470	10×10	H10	0.09	850	12.5×13.5	IE	0.054	1160	—	—	—	—	
680	10×10.5	HA5	0.08	850	—	—	—	—	—	—	—	—	
680	12.5×13.5	IE	0.054	1160	12.5×13.5	IE	0.054	1160	—	—	—	—	
1000	12.5×13.5	IE	0.054	1160	—	—	—	—	—	—	—	—	

Rated voltage (V)	Item	63				80				100			
		Case	Casing symbol	Impedance	Rated ripple current	Case	Casing symbol	Impedance	Rated ripple current	Case	Casing symbol	Impedance	Rated ripple current
		φD×L (mm)		(Ω max.)	(mArms)	φD×L (mm)		(Ω max.)	(mArms)	φD×L (mm)		(Ω max.)	(mArms)
4.7	5×5.8	E61	3.0	50	—	—	—	—	—	—	—	—	
10	6.3×5.8	F61	1.5	80	6.3×7.7	F80	2.4	60	—	—	—	—	
22	6.3×7.7	F80	1.2	120	8×10	G10	0.90	130	8×10	G10	1.30	130	
33	8×10	G10	0.65	250	8×10	G10	0.90	130	10×10	H10	0.70	200	
47	8×10	G10	0.65	250	10×10	H10	0.50	200	—	—	—	—	
68	8×10	G10	0.65	250	—	—	—	—	—	—	—	—	
100	10×10	H10	0.35	400	12.5×13.5	IE	0.18	550	—	—	—	—	
	12.5×13.5	IE	0.16	600					—	—	—	—	
220	12.5×13.5	IE	0.16	600	—	—	—	—	—	—	—	—	

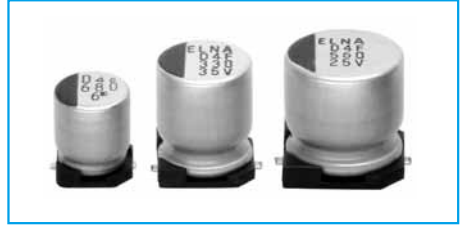
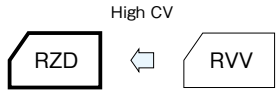
(Note) Rated ripple current : 105°C, 100kHz
Impedance : 20°C, 100kHz

NOTE : Design, Specifications are subject to change without notice.
It is recommended that you shall obtain technical specifications from ELNA to ensure that the component is suitable for your use.

Chip Type, 105°C Use, Low ESR, High CV Capacitors

- GREEN CAP
- SMD
- Low ESR
- 105°C 2000hours
- Anti-cleaning solvent

- Compatible with surface mounting.
- Supplied with carrier taping.
- Guaranteed 2000 hours at 105°C.



Marking color : Black print

Specifications

Item	Performance						
Category temperature range (°C)	-55 to +105						
Tolerance at rated capacitance (%)	±20 (20°C, 120Hz)						
Leakage current (µA)	Less than 0.01CV or 3 whichever is larger (after 2 minutes) C : Rated capacitance (µF) , V : Rated voltage (V) (20°C)						
Tangent of loss angle (tanδ)	Rated voltage (V)	6.3	10	16	25	35	
	tanδ (max.)	0.26	0.19	0.16	0.14	0.12	
Characteristics at high and low temperature	Impedance ratio (max.)	Rated voltage (V)	6.3	10	16	25	35
		Z-25°C/Z+20°C	2	2	2	2	2
		Z-40°C/Z+20°C	3	3	3	3	3
		Z-55°C/Z+20°C	8	4	4	3	3
Endurance (105°C)	Test time	2000 hours					
	Leakage current	The initial specified value or less					
	Percentage of capacitance change	Within ±30% of initial value					
	Tangent of the loss angle	200% or less of the initial specified value					
Shelf life (105°C)	Test time : 1000 hours ; other items are the same as those for the endurance. Voltage application treatment : According to JIS C5101-1						
Applicable standards	JIS C 5101-1 1998, -18 1999(IEC 60384-1 1992, -18 1993)						

Outline Drawing

Unit : mm

φD	L	A	B	C	W	P	Casing symbol
6.3	5.8±0.3	6.6	6.6	2.7	0.5 to 0.8	2.0	F61
6.3	7.7±0.3	6.6	6.6	2.7	0.5 to 0.8	2.0	F80
8	10±0.5	8.4	8.4	3.0	0.7 to 1.1	3.1	G10
10	10±0.5	10.4	10.4	3.3	0.7 to 1.1	4.7	H10

() : Reference size

- Soldering conditions are described on page 13.
- Land pattern size are described on page 11.
- The taping specifications are described on page 14.

Coefficient of Frequency for Rated Ripple Current

Frequency (Hz)	50	120	1k	10k·100k
Rated voltage (V)	50	120	1k	10k·100k
6.3 to 35	0.50	0.50	0.75	1

Part numbering system (example : 35V150µF)

RZD	—	35	V	151	M	F80	U	—	□
Series code		Rated voltage symbol		Rated capacitance symbol	Capacitance tolerance symbol	Casing symbol			Taping symbol

Standard Ratings

Rated voltage (V) Item Rated capacitance (µF)	6.3				10				16			
	Case	Casing symbol	ESR	Rated ripple current	Case	Casing symbol	ESR	Rated ripple current	Case	Casing symbol	ESR	Rated ripple current
	φD×L (mm)		(Ω max.)	(mA rms)	φD×L (mm)		(Ω max.)	(mA rms)	φD×L (mm)		(Ω max.)	(mA rms)
150	—	—	—	—	—	—	—	—	6.3×5.8	F61	0.26	300
220	—	—	—	—	6.3×5.8	F61	0.26	300	6.3×5.8	F61	0.26	300
330	6.3×5.8	F61	0.26	300	6.3×7.7	F80	0.16	600	6.3×7.7	F80	0.16	600
470	6.3×7.7	F80	0.16	600	6.3×7.7	F80	0.16	600	—	—	—	—
680	6.3×7.7	F80	0.16	600	—	—	—	—	8×10	G10	0.08	850
1000	—	—	—	—	8×10	G10	0.08	850	10×10	H10	0.06	1190
1500	8×10	G10	0.08	850	10×10	H10	0.06	1190	—	—	—	—
2200	10×10	H10	0.06	1190	—	—	—	—	—	—	—	—

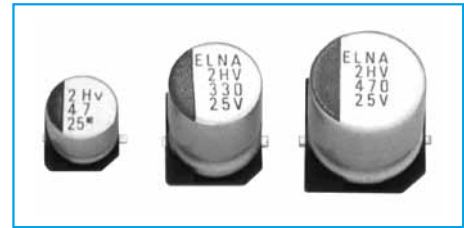
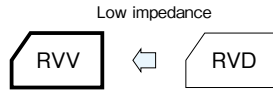
Rated voltage (V) Item Rated capacitance (µF)	25				35			
	Case	Casing symbol	ESR	Rated ripple current	Case	Casing symbol	ESR	Rated ripple current
	φD×L (mm)		(Ω max.)	(mA rms)	φD×L (mm)		(Ω max.)	(mA rms)
100	—	—	—	—	6.3×5.8	F61	0.26	300
150	6.3×5.8	F61	0.26	300	6.3×7.7	F80	0.16	600
220	6.3×7.7	F80	0.16	600	—	—	—	—
330	—	—	—	—	8×10	G10	0.08	850
470	8×10	G10	0.08	850	—	—	—	—
560	—	—	—	—	10×10	H10	0.06	1190
820	10×10	H10	0.06	1190	—	—	—	—

(Note) Rated ripple current : 105°C , 100kHz
 ESR : 20°C , 100kHz

Chip Type, 105°C Use, Low Impedance Capacitors

- GREEN CAP
- SMD
- Low Z
- 105°C 2000hours
- Anti-cleaning solvent

- Compatible with surface mounting.
- Supplied with carrier taping.
- Guarantees 2000 hours at 105°C.



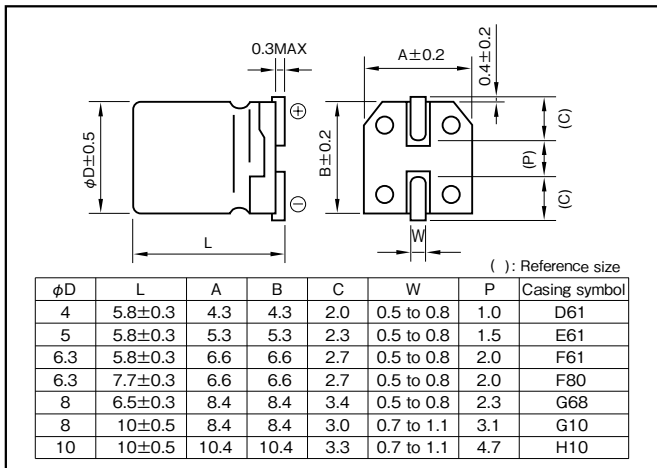
Marking color : Black print

Specifications

Item	Performance						
Category temperature range (°C)	-55 to +105						
Tolerance at rated capacitance (%)	±20 (20°C, 120Hz)						
Leakage current (µA)	Less than 0.01CV or 3 whichever is larger (after 2 minutes) C : Rated capacitance (µF) , V : Rated voltage (V) (20°C)						
Tangent of loss angle (tanδ)	Rated voltage (V)	6.3	10	16	25	35	
	tanδ (max.)	0.26	0.19	0.16	0.14	0.12	
Characteristics at high and low temperature	Rated voltage (V)	6.3	10	16	25	35	
	Impedance ratio (max.)	Z-25°C/Z+20°C	2	2	2	2	2
		Z-40°C/Z+20°C	3	3	3	3	3
		Z-55°C/Z+20°C	8	4	4	3	3
Endurance (105°C)	Test time	2000 hours					
	Leakage current	The initial specified value or less					
	Percentage of capacitance change	Within ±30% of initial value					
	Tangent of the loss angle	200% or less of initial specified value					
Shelf life (105°C)	Test time : 1000 hours ; other items are the same as those for the endurance. Voltage application treatment : According to JIS C5101-1						
Applicable standards	JIS C 5101-1 1998, -18 1999(IEC 60384-1 1992, -18 1993)						

Outline Drawing

Unit : mm



- Soldering conditions are described on page 13.
- Land pattern size are described on page 11.
- The taping specifications are described on page 14.

Coefficient of Frequency for Rated Ripple Current

Frequency (Hz)	50	120	1k	10k·100k
Rated voltage (V)				
6.3 to 35	0.5	0.5	0.75	1

Part numbering system (example : 16V100µF)

RVV	—	16	V	101	M	F61	U	—	□
Series code		Rated voltage symbol		Rated capacitance symbol	Capacitance tolerance symbol	Casing symbol			Taping symbol

NOTE : Design, Specifications are subject to change without notice. It is recommended that you shall obtain technical specifications from ELNA to ensure that the component is suitable for your use.

Standard Ratings

Rated voltage (V)	Item	6.3				10				16			
		Case	Casing symbol	Impedance	Rated ripple current	Case	Casing symbol	Impedance	Rated ripple current	Case	Casing symbol	Impedance	Rated ripple current
		φD×L (mm)		(Ω max.)	(mArms)	φD×L (mm)		(Ω max.)	(mArms)	φD×L (mm)		(Ω max.)	(mArms)
10	—	—	—	—	—	—	—	—	—	4×5.8	D61	0.85	160
22	4×5.8	D61	0.85	160	4×5.8	D61	0.85	160	4×5.8	D61	0.85	160	
													5×5.8
33	—	—	—	—	4×5.8	D61	0.85	160	—	—	—	—	
					5×5.8	E61	0.36	240					
47	4×5.8	D61	0.85	160	—	—	—	—	5×5.8	E61	0.36	240	
	5×5.8	E61	0.36	240					6.3×5.8	F61	0.26	300	
100	5×5.8	E61	0.36	240	—	—	—	—	6.3×5.8	F61	0.26	300	
	6.3×5.8	F61	0.26	300					6.3×7.7	F80	0.16	600	
220	6.3×5.8	F61	0.26	300	6.3×7.7	F80	0.16	600	6.3×7.7	F80	0.16	600	
					8×6.5	G68	0.18	500	8×6.5	G68	0.18	500	
330	6.3×7.7	F80	0.16	600	8×10	G10	0.09	850	8×10	G10	0.09	850	
	8×6.5	G68	0.18	500									
470	8×10	G10	0.09	850	8×10	G10	0.09	850	8×10	G10	0.09	850	
680	—	—	—	—	8×10	G10	0.09	850	10×10	H10	0.07	1190	
1000	8×10	G10	0.09	850	10×10	H10	0.07	1190	—	—	—	—	
1500	10×10	H10	0.07	1190	—	—	—	—	—	—	—	—	

Rated voltage (V)	Item	25				35			
		Case	Casing symbol	Impedance	Rated ripple current	Case	Casing symbol	Impedance	Rated ripple current
		φD×L (mm)		(Ω max.)	(mArms)	φD×L (mm)		(Ω max.)	(mArms)
4.7	—	—	—	—	4×5.8	D61	0.85	160	
10	4×5.8	D61	0.85	160	4×5.8	D61	0.85	160	
					5×5.8	E61	0.36	240	
22	5×5.8	E61	0.36	240	5×5.8	E61	0.36	240	
33	5×5.8	E61	0.36	240	6.3×5.8	F61	0.26	300	
	6.3×5.8	F61	0.26	300					
47	6.3×5.8	F61	0.26	300	6.3×5.8	F61	0.26	300	
100	6.3×7.7	F80	0.16	600	6.3×7.7	F80	0.16	600	
	8×6.5	G68	0.18	500	8×10	G10	0.09	850	
220	8×10	G10	0.09	850	8×10	G10	0.09	850	
330	8×10	G10	0.09	850	10×10	H10	0.07	1190	
470	10×10	H10	0.07	1190	—	—	—	—	

(Note) Rated ripple current : 105°C , 100kHz
Impedance : 20°C , 100kHz

Chip Type, 105°C Use, Low Impedance Capacitors

GREEN CAP

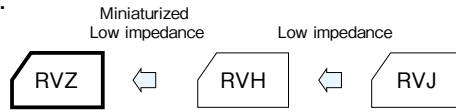
SMD

Low z

105°C
2000hours

Anti-
cleaning
solvent

- Compatible with surface mounting.
- Supplied with carrier taping.
- Guarantees 2000 hours at 105°C.
($\phi 8 \times 6.5L$ or less : 1000hours)
($\phi 12.5 \times 13.5L$: 5000hours)



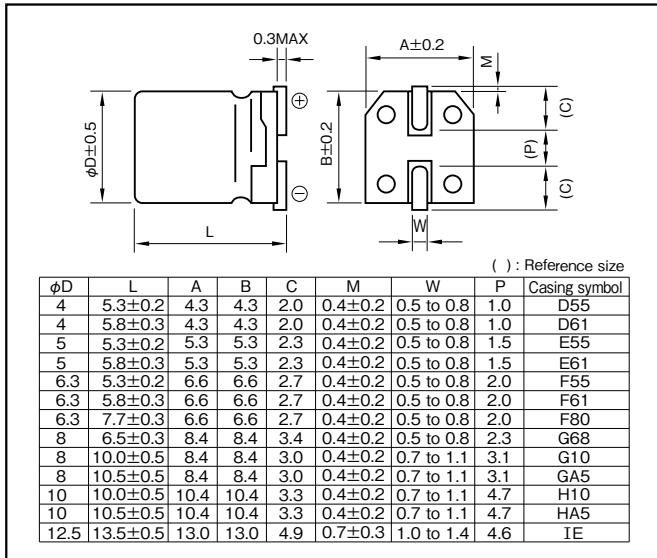
Marking color : Black print ($\phi 4 \times 5.3L - \phi 8 \times 6.5L, \phi 12.5 \times 13.5L$)
: White print on a brown sleeve ($\phi 8 \times 10L - \phi 10 \times 10.5L$)

Specifications

Item	Performance						
Category temperature range (°C)	-55 to +105						
Tolerance at rated capacitance (%)	±20 (20°C, 120Hz)						
Leakage current (µA)	Less than 0.01CV or 3 whichever is larger (after 2 minutes) C : Rated capacitance (µF) ; V : Rated voltage (V) (20°C)						
Tangent of loss angle (tanδ)	Rated voltage (V)	6.3	10	16	25	35	
	tanδ (max.)	0.28	0.24	0.20	0.16	0.14	
Characteristics at high and low temperature	Rated voltage (V)	6.3	10	16	25	35	
	Impedance ratio (max.)	Z-25°C/Z+20°C	4	3	2	2	2
		Z-55°C/Z+20°C	8	5	4	3	3
0.02 is added to every 1000µF increase over 1000µF. (120Hz)							
Endurance (105°C) (Applied ripple current)	Test time	1000 hours ($\phi 8 \times 6.5L$ or less) 2000 hours ($\phi 8 \times 10L$ to $\phi 10 \times 10.5L$) 5000 hours ($\phi 12.5 \times 13.5L$)					
	Leakage current	The initial specified value or less					
	Percentage of capacitance change	Within ±25% of initial value					
	Tangent of the loss angle	200% or less of initial specified value					
Shelf life (105°C)	Test time : 1000 hours ; other items are the same as those for the endurance. Voltage application treatment : According to JIS C5101-1						
Applicable standards	JIS C5101-1 1998, -18 1999 (IEC 60384-1 1992, -18 1993)						

Outline Drawing

Unit : mm



- Soldering conditions are described on page 13.
- Land pattern size are described on page 11.
- The taping specifications are described on page 14.

Coefficient of Frequency for Rated Ripple Current

Frequency (Hz)	120	1k	10k	100k	
Rated voltage (V)	6.3 to 35	0.50	0.75	0.90	1

Part numbering system

$\phi 10 \times 10.5L$ or less 6.3V1500µF

RVZ	—	6	V	152	M	HA5	U	—	□
Series code		Rated voltage symbol		Rated capacitance symbol	Capacitance tolerance symbol	Casing symbol			Taping symbol

In the case of "for High Temperature Reflow" type, a series name is "RZA".

$\phi 12.5 \times 13.5L$ 6.3V2700µF

RVZ	—	6	V	272	M	IE	T	—	R5
Series code		Rated voltage symbol		Rated capacitance symbol	Capacitance tolerance symbol	Casing symbol			Taping symbol

Standard Ratings

Rated voltage (V) Rated capacitance (μF) Item	6.3				10				16				25				35			
	Case	Casing symbol	Impedance	Rated ripple current	Case	Casing symbol	Impedance	Rated ripple current	Case	Casing symbol	Impedance	Rated ripple current	Case	Casing symbol	Impedance	Rated ripple current	Case	Casing symbol	Impedance	Rated ripple current
	φDXL (mm)		(Ω)	(mAmps)	φDXL (mm)		(Ω)	(mAmps)	φDXL (mm)		(Ω)	(mAmps)	φDXL (mm)		(Ω)	(mAmps)	φDXL (mm)		(Ω)	(mAmps)
4.7	—	—	—	—	—	—	—	—	—	—	—	—	4×5.3	D55	3.20	65	4×5.3	D55	3.20	65
10	—	—	—	—	4×5.3	D55	3.20	65	4×5.3	D55	3.20	65	4×5.8	D61	1.80	80	5×5.3	E55	1.50	110
	—	—	—	—	—	—	—	—	—	—	—	—	5×5.3	E55	1.50	110	5×5.8	E61	0.76	150
15	—	—	—	—	—	—	—	—	4×5.8	D61	1.80	80	5×5.8	E61	0.76	150	5×5.8	E61	0.76	150
22	4×5.3	D55	3.20	65	4×5.8	D61	1.80	80	5×5.3	E55	1.50	110	5×5.8	E61	0.76	150	6.3×5.3	F55	0.85	170
	4×5.8	D61	1.80	80	5×5.3	E55	1.50	110	5×5.8	E61	0.76	150	6.3×5.3	F55	0.85	170	6.3×5.3	F55	0.85	170
33	5×5.3	E55	1.50	110	5×5.3	E55	1.50	110	6.3×5.3	F55	0.85	170	6.3×5.3	F55	0.85	170	6.3×5.3	F55	0.85	170
	5×5.8	E61	0.76	150	5×5.8	E61	0.76	150	6.3×5.8	F61	0.44	230	6.3×5.8	F61	0.44	230	6.3×5.8	F61	0.44	230
47	5×5.3	E55	1.50	110	6.3×5.3	F55	0.85	170	6.3×5.3	F55	0.85	170	6.3×5.3	F55	0.85	170	6.3×5.8	F61	0.44	230
	5×5.8	E61	0.76	150	6.3×5.8	F61	0.44	230	6.3×5.8	F61	0.44	230	6.3×5.8	F61	0.44	230	6.3×7.7	F80	0.34	280
68	6.3×5.8	F61	0.44	230	6.3×5.8	F61	0.44	230	6.3×5.8	F61	0.44	230	6.3×5.8	F61	0.44	230	8×6.5	G68	0.34	280
	6.3×5.3	F55	0.85	170	6.3×5.3	F55	0.85	170	6.3×5.3	F55	0.85	170	6.3×7.7	F80	0.34	280	8×6.5	G68	0.34	280
100	6.3×5.8	F61	0.44	230	6.3×5.8	F61	0.44	230	6.3×5.8	F61	0.44	230	8×6.5	G68	0.34	280	8×10.5	GA5	0.17	450
	6.3×5.3	F55	0.85	170	6.3×5.3	F55	0.85	170	6.3×7.7	F80	0.34	280	8×10.5	GA5	0.17	450	10×10.5	HA5	0.09	670
150	6.3×5.8	F61	0.44	230	6.3×5.8	F61	0.44	230	6.3×7.7	F80	0.34	280	8×10.5	GA5	0.17	450	10×10.5	HA5	0.09	670
	6.3×5.8	F61	0.44	230	6.3×5.8	F61	0.44	230	8×6.5	G68	0.34	280	8×10.5	GA5	0.17	450	10×10.5	HA5	0.09	670
220	6.3×5.8	F61	0.44	230	6.3×7.7	F80	0.34	280	6.3×7.7	F80	0.34	280	8×10.5	GA5	0.17	450	10×10.5	HA5	0.09	670
	6.3×7.7	F80	0.34	280	8×6.5	G68	0.34	280	8×10	G10	0.20	450	8×10.5	GA5	0.17	450	10×10.5	HA5	0.09	670
330	6.3×7.7	F80	0.34	280	8×10.5	GA5	0.17	450	8×10.5	GA5	0.17	450	8×10.5	GA5	0.17	450	10×10.5	HA5	0.09	670
	8×6.5	G68	0.34	280	10×10	H10	0.10	670	10×10	H10	0.10	670	10×10	H10	0.10	670	10×10.5	HA5	0.09	670
470	8×10.5	GA5	0.17	450	8×10.5	GA5	0.17	450	8×10.5	GA5	0.17	450	10×10.5	HA5	0.09	670	12.5×13.5	IE	0.06	1100
	10×10	H10	0.10	670	10×10	H10	0.10	670	10×10	H10	0.10	670	10×10.5	HA5	0.09	670	12.5×13.5	IE	0.06	1100
680	8×10.5	GA5	0.17	450	10×10.5	HA5	0.09	670	10×10.5	HA5	0.09	670	12.5×13.5	IE	0.06	1100	12.5×13.5	IE	0.06	1100
1000	8×10.5	GA5	0.17	450	10×10.5	HA5	0.09	670	12.5×13.5	IE	0.06	1100	12.5×13.5	IE	0.06	1100	—	—	—	—
	10×10	H10	0.10	670	10×10.5	HA5	0.09	670	12.5×13.5	IE	0.06	1100	12.5×13.5	IE	0.06	1100	—	—	—	—
1500	10×10.5	HA5	0.09	670	12.5×13.5	IE	0.06	1100	12.5×13.5	IE	0.06	1100	—	—	—	—	—	—	—	—
2200	12.5×13.5	IE	0.06	1100	12.5×13.5	IE	0.06	1100	—	—	—	—	—	—	—	—	—	—	—	—
2700	12.5×13.5	IE	0.06	1100	—	—	—	—	—	—	—	—	—	—	—	—	—	—	—	—

CHIP ALUMINUM

(Note) Rated ripple current : 105°C, 100kHz ; Impedance : 20°C, 100kHz

Chip Type, 125°C Use, High CV, Long Life Capacitors

GREEN CAP

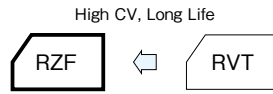
SMD

Low ESR

125°C
4000hours

Anti-
cleaning
solvent

- Compatible with surface mounting.
- Supplied with carrier taping.
- Guaranteed 4000 hours at 125°C.
($\phi 6.3$: 2000 hours)



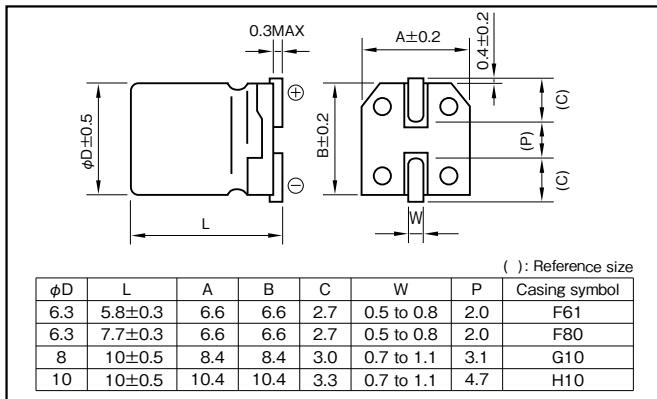
Marking color : Black print

Specifications

Item	Performance					
Category temperature range (°C)	-40 to +125					
Tolerance at rated capacitance (%)	± 20 (20°C, 120Hz)					
Leakage current (μA)	Less than 0.01CV or 3 whichever is larger (after 2 minutes) C : Rated capacitance (μF) ; V : Rated voltage (V) (20°C)					
Tangent of loss angle (tan δ)	Rated voltage (V)	10	16	25	35	
	tan δ (max.)	0.24	0.20	0.16	0.14	
Characteristics at high and low temperature	Impedance ratio (max.)	Rated voltage (V)				
		Z-25°C/Z+20°C	3	2	2	2
		Z-40°C/Z+20°C	6	4	4	3
Endurance (125°C)	Test time	4000 hours ($\phi 6.3$: 2000 hours)				
	Leakage current	The initial specified value or less				
	Percentage of capacitance change	Within $\pm 30\%$ of initial value				
	Tangent of the loss angle	300% or less of the initial specified value				
Shelf life (125°C)	Test time : 1000 hours ; other items are the same as those for the endurance. Voltage application treatment : According to JIS C5101-1					
Applicable standards	JIS C5101-1 1998, -18 1999 (IEC 60384-1 1992, -18 1993)					

Outline Drawing

Unit : mm



- Soldering conditions are described on page 13.
- Land pattern size are described on page 11.
- The taping specifications are described on page 14.

Coefficient of Frequency for Rated Ripple Current

Frequency (Hz)	120	1k	10k	100k
Rated voltage(V)				
10 to 35	0.77	0.88	0.96	1

Part numbering system (example : 35V100 μF)

RZF	—	35	V	101	M	F80	U	—	
Series code		Rated voltage symbol		Rated capacitance symbol	Capacitance tolerance symbol	Casing symbol			Taping symbol

Standard Ratings

Rated voltage (V) Item Rated capacitance (μF)	10				16				25			
	Case	ESR (Ωmax.)		Rated ripple current	Case	ESR (Ωmax.)		Rated ripple current	Case	ESR (Ωmax.)		Rated ripple current
	φD×L (mm)	20°C	-40°C	(mArms)	φD×L (mm)	20°C	-40°C	(mArms)	φD×L (mm)	20°C	-40°C	(mArms)
47	—	—	—	—	6.3×5.8	1.2	22	110	6.3×5.8	1.2	22	110
100	6.3×5.8	1.2	22	110	6.3×5.8	1.2	22	110	6.3×7.7	0.60	12	220
220	6.3×7.7	0.60	12	220	6.3×7.7	0.60	12	220	8×10	0.30	5.5	296
330	8×10	0.30	5.5	296	8×10	0.30	5.5	296	10×10	0.20	3.6	440
470	8×10	0.30	5.5	296	10×10	0.20	3.6	440	—	—	—	—
680	10×10	0.20	3.6	440	10×10	0.20	3.6	440	—	—	—	—

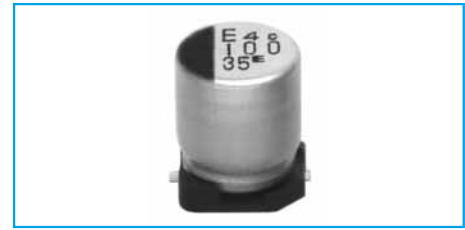
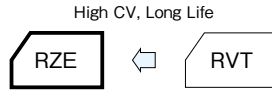
Rated voltage (V) Item Rated capacitance (μF)	35			
	Case	ESR (Ωmax.)		Rated ripple current
	φD×L (mm)	20°C	-40°C	(mArms)
47	6.3×5.8	1.2	22	110
100	6.3×7.7	0.60	12	220
220	8×10	0.30	5.5	296
330	10×10	0.20	3.6	440

(Note) Rated ripple current : 125°C , 100kHz
ESR : 100kHz

Chip Type, 125°C Use, High CV, Long Life Capacitors

GREEN CAP SMD Low ESR 125°C 2000hours Anti-cleaning solvent

- Compatible with surface mounting.
- Supplied with carrier taping.
- Guaranteed 2000 hours at 125°C.



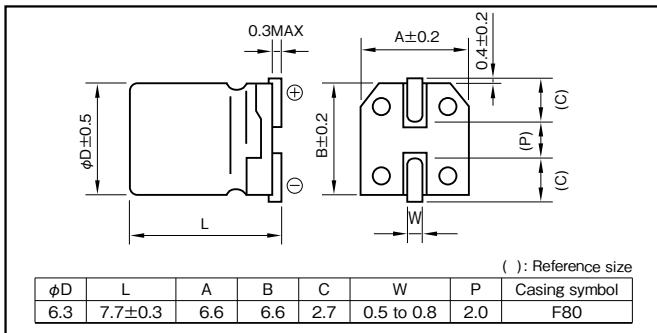
Marking color : Black print

Specifications

Item	Performance		
Category temperature range (°C)	-40 to +125		
Tolerance at rated capacitance (%)	±20 (20°C, 120Hz)		
Leakage current (µA)	Less than 0.01CV or 3 whichever is larger (after 2 minutes) C : Rated capacitance (µF) ; V : Rated voltage (V) (20°C)		
Tangent of loss angle (tanδ)	Rated voltage (V)	35	
	tanδ (max.)	0.16 (20°C, 120Hz)	
Characteristics at high and low temperature	Rated voltage (V)	35	
	Impedance Ratio (max.)	Z-25°C/Z+20°C	2
		Z-40°C/Z+20°C	3 (120Hz)
Endurance (125°C)	Test time	2000 hours	
	Leakage current	The initial specified value or less	
	Percentage of capacitance change	Within ±30% of initial value	
	Tangent of the loss angle	300% or less of the initial specified value	
Shelf life (125°C)	Test time : 1000 hours ; other items are the same as those for the endurance. Voltage application treatment : According to JIS C5101-1		
Applicable standards	JIS C5101-1 1998, -18 1999 (IEC 60384-1 1992, -18 1993)		

Outline Drawing

Unit : mm



- Soldering conditions are described on page 13.
- Land pattern size are described on page 11.
- The taping specifications are described on page 14.

Coefficient of Frequency for Rated Ripple Current

Frequency (Hz)	120	1k	10k	100k
Rated voltage(V)	120	1k	10k	100k
35	0.77	0.88	0.96	1

Part numbering system (example : 35V47µF)

RZE	—	35	V	470	M	F80	U	—	□
Series code		Rated voltage symbol		Rated capacitance symbol	Capacitance tolerance symbol	Casing symbol			Taping symbol

Standard Ratings

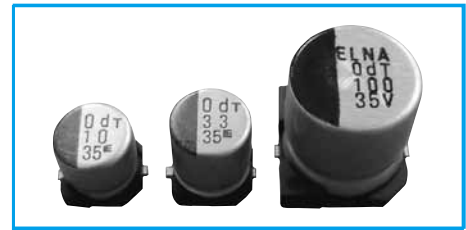
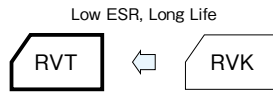
Rated voltage (V)	Item	35				Rated ripple current (mA rms)
		Case	ESR (Ω max.)			
			20°C	-40°C	After Endurance -40°C	
47	6.3×7.7	0.30	3	6	197	
100	6.3×7.7	0.30	3	6	197	

(Note) Rated ripple current : 125°C , 100kHz
 ESR : 100kHz

Chip Type, 125°C Use, Low ESR, Long Life Capacitors

GREEN CAP SMD Low ESR 125°C 2000hours Anti-cleaning solvent

- Compatible with surface mounting.
- Supplied with carrier taping.
- Guarantees 2000 hours at 125°C.
($\phi 4$ to $\phi 8 \times 6.5L$: 1000 hours)
($\phi 12.5 \times 13.5L$: 5000 hours)



Marking color : Black print

Specifications

Item	Performance										
Category temperature range (°C)	-40 to +125										
Tolerance at rated capacitance (%)	±20 (20°C, 120Hz)										
Leakage current (µA)	Less than 0.01CV or 3 whichever is larger (after 2 minutes) C : Rated capacitance (µF) ; V : Rated voltage (V) (20°C)										
Tangent of loss angle	Rated voltage (V)	10	16	25	35	50	63	80	100		
	Tangent of loss angle	0.24	0.20	0.16	0.14	0.14	0.12	0.12	0.10	(20°C, 120Hz)	
Characteristics at high and low temperature	Impedance Ratio (max.)	Rated voltage (V)	10	16	25	35	50	63	80	100	
		Z-25°C/Z+20°C	3	2	2	2	2	2	2	2	(120Hz)
Endurance (125°C)	Test time	2000 hours ($\phi 4$ to $\phi 8 \times 6.5L$: 1000 hours, $\phi 12.5 \times 13.5L$: 5000 hours)									
	Leakage current	The initial specified value or less									
	Capacitance change	Within ±30% of initial value									
	Tangent of loss angle	300% or less of the initial specified value									
Shelf life (125°C)	Test time : 1000 hours ; other items are the same as those for the endurance. Voltage application treatment : According to JIS C5101-1										
Applicable standards	JIS C5101-1 1998, -18 1999 (IEC 60384-1 1992, -18 1993)										

Outline Drawing

Unit : mm

() : Reference size

ϕD	L	A	B	C	M	W	P	Casing symbol
4	5.8±0.3	4.3	4.3	2.0	0.4±0.2	0.5 to 0.8	1.0	D61
5	5.8±0.3	5.3	5.3	2.3	0.4±0.2	0.5 to 0.8	1.5	E61
6.3	5.8±0.3	6.6	6.6	2.7	0.4±0.2	0.5 to 0.8	2.0	F61
6.3	7.7±0.3	6.6	6.6	2.7	0.4±0.2	0.5 to 0.8	2.0	F80
8	6.5±0.3	8.4	8.4	3.4	0.4±0.2	0.5 to 0.8	2.3	G68
8	10±0.5	8.4	8.4	3.0	0.4±0.2	0.7 to 1.1	3.1	G10
8	10.5±0.5	8.4	8.4	3.0	0.4±0.2	0.7 to 1.1	3.1	GA5
10	10±0.5	10.4	10.4	3.3	0.4±0.2	0.7 to 1.1	4.7	H10
10	10.5±0.5	10.4	10.4	3.3	0.4±0.2	0.7 to 1.1	4.7	HA5
12.5	13.5±0.5	13.0	13.0	4.9	0.7±0.3	1.0 to 1.4	4.6	IE

- Soldering conditions are described on page 13.
- Land pattern size are described on page 11.
- The taping specifications are described on page 14.

Coefficient of Frequency for Rated Ripple Current

Frequency (Hz)	120	1k	10k	100k
Rated voltage(V)				
10 to 100	0.77	0.88	0.96	1.00

Part numbering system

$\phi 10 \times 10.5L$ or less (16V100µF)

RVT	—	35	V	221	M	H10	U	□
Series code		Rated voltage symbol		Rated capacitance symbol	Capacitance tolerance symbol	Casing symbol		Taping symbol

In the case of "for High Temperature Reflow" type, a series name is "RZC".

$\phi 12.5 \times 13.5$ (35V330µF)

RVT	—	35	V	331	M	IE	T	—	R5
Series code		Rated voltage symbol		Rated capacitance symbol	Capacitance tolerance symbol	Casing symbol			Taping symbol

Standard Ratings

Rated voltage(V) Rated capacitance(μF)	Item	10				16				25			
		Case φD×L (mm)	ESR(Ω max.)		Rated ripple current (mA _{rms})	Case φD×L (mm)	ESR(Ω max.)		Rated ripple current (mA _{rms})	Case φD×L (mm)	ESR(Ω max.)		Rated ripple current (mA _{rms})
			20°C	-40°C			20°C	-40°C			20°C	-40°C	
10	—	—	—	—	4×5.8	3.0	45	50	5×5.8	1.5	23	81	
22	4×5.8	3.0	45	50	5×5.8	1.5	23	81	6.3×5.8	1.0	15	114	
33	5×5.8	1.5	23	81	6.3×5.8	1.0	15	114	6.3×5.8	1.0	15	114	
47	—	—	—	—	6.3×5.8	1.0	15	114	6.3×7.7	0.60	9.0	165	
	—	—	—	—					8×6.5	0.60	9.0	180	
100	—	—	—	—	—	—	—	—	6.3×7.7	0.60	9.0	165	
	—	—	—	—	—	—	—	—	8×6.5	0.60	9.0	180	
	—	—	—	—	—	—	—	—	8×10	0.20	2.0	340	
220	6.3×7.7	0.60	9.0	165	8×10	0.20	2.0	340	8×10	0.20	2.0	340	
	8×6.5	0.60	9.0	180	10×10	0.15	1.5	500	10×10	0.15	1.5	500	
330	8×10	0.20	2.0	340	10×10	0.15	1.5	500	10×10	0.15	1.5	500	
	10×10	0.15	1.5	500					12.5×13.5	0.086	1.29	750	
470	10×10	0.15	1.5	500	12.5×13.5	0.086	1.29	750	12.5×13.5	0.086	1.29	750	
680	12.5×13.5	0.086	1.29	750	12.5×13.5	0.086	1.29	750	—	—	—	—	
1000	12.5×13.5	0.086	1.29	750	—	—	—	—	—	—	—	—	

Rated voltage(V) Rated capacitance(μF)	Item	35				50				63			
		Case φD×L (mm)	ESR(Ω max.)		Rated ripple current (mA _{rms})	Case φD×L (mm)	ESR(Ω max.)		Rated ripple current (mA _{rms})	Case φD×L (mm)	ESR(Ω max.)		Rated ripple current (mA _{rms})
			20°C	-40°C			20°C	-40°C			20°C	-40°C	
4.7	4×5.8	3.0	45	50	—	—	—	—	—	—	—	—	
10	5×5.8	1.5	23	81	6.3×5.8	3.2	48	58	6.3×7.7	1.8	36	95	
	6.3×5.8	1.0	15	114									
22	6.3×5.8	1.0	15	114	6.3×7.7	1.2	18	95	8×10	0.70	14	140	
33	6.3×7.7	0.60	9.0	165	6.3×7.7	1.2	18	95	8×10	0.70	14	140	
	8×6.5	0.60	9.0	180	8×10	0.50	7.5	180	10×10	0.50	10	200	
47	6.3×7.7	0.60	9.0	165	8×10	0.50	7.5	180	8×10	0.70	14	140	
	8×6.5	0.60	9.0	180									
	8×10	0.20	2.0	340	10×10	0.30	4.5	280	10×10	0.50	10	200	
100	8×10	0.20	2.0	340	10×10	0.30	4.5	280	12.5×13.5	0.25	3.75	400	
	10×10	0.15	1.5	500	12.5×13.5	0.18	2.7	550					
220	10×10	0.15	1.5	500	12.5×13.5	0.18	2.7	550	—	—	—	—	
330	12.5×13.5	0.086	1.29	750	—	—	—	—	—	—	—	—	

Rated voltage(V) Rated capacitance(μF)	Item	80				100			
		Case φD×L (mm)	ESR(Ω max.)		Rated ripple current (mA _{rms})	Case φD×L (mm)	ESR(Ω max.)		Rated ripple current (mA _{rms})
			20°C	-40°C			20°C	-40°C	
10	8×10	0.75	15	110	8×10	0.75	15	110	
22	8×10	0.75	15	110	8×10	0.75	15	110	
	10×10	0.55	11	150	10×10	0.55	11	150	
33	8×10	0.75	15	110	10×10	0.55	11	150	
	10×10	0.55	11	150					
47	—	—	—	—	12.5×13.5	0.32	4.8	300	

(Note) Rated ripple current : 125°C, 100kHz
ESR : 100kHz

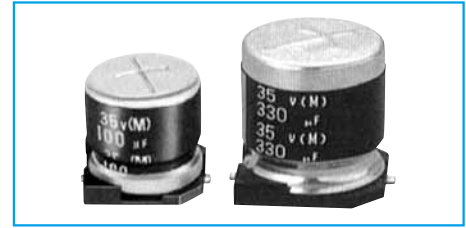
Chip Type 125°C Capacitors

GREEN CAP SMD 125°C 1250hours 105°C 5000hours Anti-cleaning solvent

- Compatible with surface mounting.
- Supplied with carrier taping.
- Guarantees 1250 hours at 125°C.
(φ8 : 1000 hours)
(φ12.5 : 5000 hours)
- Guarantees 5000 hours at 105°C.
(φ8 : 4000 hours)



High temperature

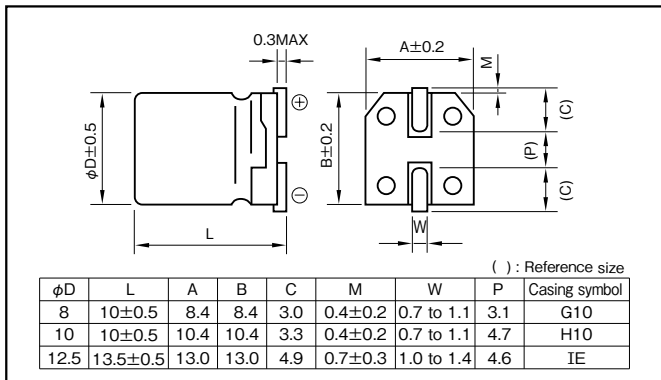


Marking color : Gold print on a brown sleeve (φ8, φ10)
White print on a brown sleeve (φ12.5)

Specifications

Item	Performance								
Category temperature range (°C)	-40 to +125								
Tolerance at rated capacitance (%)	±20 (20°C, 120Hz)								
Leakage current (μA)	Less than 0.02CV or 3 whichever is larger (after 2 minutes) C : Rated capacitance (μF) ; V : Rated voltage (V) (20°C)								
Tangent of loss angle (tanδ)	Rated voltage (V)	10	16	25	35	50	63		
	tanδ (max.)	0.28	0.26	0.24	0.20	0.19	0.18	(20°C, 120Hz)	
Characteristics at high and low temperature	Rated voltage (V)	10	16	25	35	50	63		
	Impedance ratio (max.)	Z-25°C/Z+20°C	3	3	3	3	3	3	(120Hz)
Endurance (Applied ripple current)	Test temp.	125°C				105°C			
	Test time	φ8 : 1000h, φ10 : 1250h, φ12.5 : 5000h				φ8 : 4000h, φ10 : 5000h			
	Leakage current	The initial specified value or less							
	Percentage of capacitance change	Within ±30% of initial value							
Shelf life	Test temp.	125°C				105°C			
	Test time	500 h				1000h			
	Leakage current	The initial specified value or less							
	Percentage of capacitance change	Within ±20% of initial value							
Applicable standards	JIS C5101-1 1998, -18 1999 (IEC 60384-1 1992, -18 1993)								

Outline Drawing



- Soldering conditions are described on page 13.
- Land pattern size are described on page 11.
- The taping specifications are described on page 14.

Standard Ratings

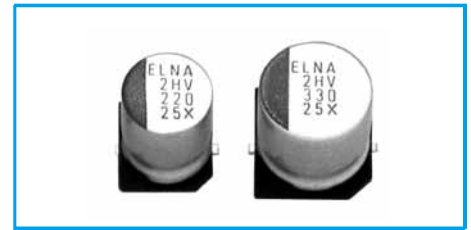
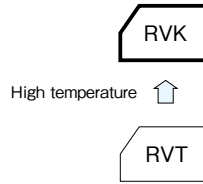
Rated voltage (V)	10				16				25				35				50				63			
	Case	Casing symbol	Impedance (Ω max.)	Rated ripple current (mA Arms)	Case	Casing symbol	Impedance (Ω max.)	Rated ripple current (mA Arms)	Case	Casing symbol	Impedance (Ω max.)	Rated ripple current (mA Arms)	Case	Casing symbol	Impedance (Ω max.)	Rated ripple current (mA Arms)	Case	Casing symbol	Impedance (Ω max.)	Rated ripple current (mA Arms)	Case	Casing symbol	Impedance (Ω max.)	Rated ripple current (mA Arms)
10	8×10	G10	0.680	60	8×10	G10	0.680	60	8×10	G10	0.680	60	8×10	G10	0.680	60	8×10	G10	0.680	60	8×10	G10	0.680	60
22	10×10	H10	0.550	111	10×10	H10	0.550	107	10×10	H10	0.550	107	10×10	H10	0.550	102	10×10	H10	0.550	102	10×10	H10	0.670	48
33	10×10	H10	0.550	111	10×10	H10	0.550	111	12.5×13.5	IE	0.105	579	12.5×13.5	IE	0.105	579	10×10	H10	0.600	58	10×10	H10	0.600	58
47	12.5×13.5	IE	0.105	579	12.5×13.5	IE	0.105	579	12.5×13.5	IE	0.105	579	12.5×13.5	IE	0.105	579	10×10	H10	0.600	58	10×10	H10	0.600	58
100	12.5×13.5	IE	0.105	579	12.5×13.5	IE	0.105	579	12.5×13.5	IE	0.105	579	12.5×13.5	IE	0.105	579	12.5×13.5	IE	0.136	509	12.5×13.5	IE	0.176	447
220	12.5×13.5	IE	0.105	579	12.5×13.5	IE	0.105	579	12.5×13.5	IE	0.105	579	12.5×13.5	IE	0.105	579	12.5×13.5	IE	0.136	509	12.5×13.5	IE	0.176	447
330	12.5×13.5	IE	0.105	579	12.5×13.5	IE	0.105	579	12.5×13.5	IE	0.105	579	12.5×13.5	IE	0.105	579	12.5×13.5	IE	0.136	509	12.5×13.5	IE	0.176	447
470	12.5×13.5	IE	0.105	579	12.5×13.5	IE	0.105	579	12.5×13.5	IE	0.105	579	12.5×13.5	IE	0.105	579	12.5×13.5	IE	0.136	509	12.5×13.5	IE	0.176	447
680	12.5×13.5	IE	0.105	579	12.5×13.5	IE	0.105	579	12.5×13.5	IE	0.105	579	12.5×13.5	IE	0.105	579	12.5×13.5	IE	0.136	509	12.5×13.5	IE	0.176	447
1000	12.5×13.5	IE	0.105	579	12.5×13.5	IE	0.105	579	12.5×13.5	IE	0.105	579	12.5×13.5	IE	0.105	579	12.5×13.5	IE	0.136	509	12.5×13.5	IE	0.176	447

(Note) Rated ripple current : 125°C, 100kHz ; Impedance : 20°C, 100kHz

Chip Type, 135°C Capacitors

- GREEN CAP
- SMD
- 135°C 1000hours
- Anti-cleaning solvent

- Compatible with surface mounting.
- Supplied with carrier taping.
- Guarantees 1000 hours 135°C.



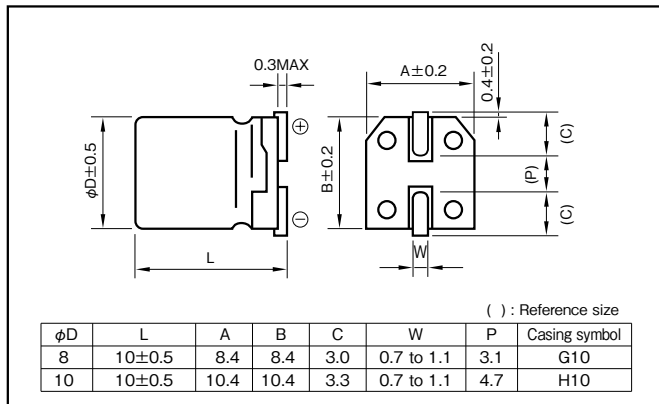
Marking color : Black print

Specifications

Item	Performance			
Category temperature range (°C)	-40 to +135			
Tolerance at rated capacitance (%)	±20 (20°C, 120Hz)			
Leakage current (µA)	Less than 0.01CV or 3 whichever is larger (after 2 minutes) C : Rated capacitance (µF) ; V : Rated voltage (V) (20°C)			
Tangent of loss angle (tanδ)	Rated voltage (V)	25	35	
	tanδ (max.)	0.24	0.20	
Characteristics at high and low temperature	Rated voltage (V)	25	35	
	Impedance Ratio (max.)	Z-25°C/Z+20°C	2	2
		Z-40°C/Z+20°C	3	3
Endurance (135°C)	Test time	1000 hours		
	Leakage current	The initial specified value or less		
	Percentage of Capacitance change	Within ±20% of initial value		
	Tangent of loss angle	300% or less of the initial specified value		
Shelf life (135°C)	Test time : 500 hours ; other items are the same as those for the endurance. Voltage application treatment			
Applicable standards	JIS C5101-1 1998, -18 1999 (IEC 60384-1 1992, -18 1993)			

Outline Drawing

Unit : mm



Coefficient of Frequency for Rated Ripple Current

Frequency (Hz)	120	1k	10k	100k
Rated voltage(V)				
25 to 35	0.77	0.88	0.96	1

Part numbering system (example : 25V331 M H10 U)

RVX	—	25	V	331	M	H10	U	□
Series code		Rated voltage symbol		Rated capacitance symbol	Capacitance tolerance symbol	Casing symbol		Taping symbol

- Soldering conditions are described on page 13.
- Land pattern size are described on page 11.
- The taping specifications are described on page 14.

Standard Ratings

Rated voltage (V)	Item	25				35			
		Case	Casing symbol	ESR (Ω max.)	Rated ripple current (mA rms)	Case	Casing symbol	ESR (Ω max.)	Rated ripple current (mA rms)
22	33	—	—	—	—	8×10	G10	0.70	115
		8×10	G10	0.70	115	8×10	G10	0.70	115
47	100	10×10	H10	0.50	155	10×10	H10	0.50	155
		8×10	G10	0.70	115	8×10	G10	0.70	115
220	330	8×10	G10	0.70	115	8×10	G10	0.70	115
		10×10	H10	0.50	155	10×10	H10	0.50	155

(Note) Rated ripple current : 135°C, 100kHz
ESR : 20°C, 100kHz

Chip type 105°C Capacitors(height:4.5mm)

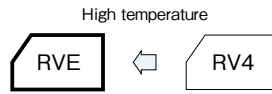
GREEN CAP

SMD

105°C
1000hours

Anti-cleaning solvent

- Compatible with surface mounting for 4.5mm height capacitors.
- Supplied with carrier taping.
- Guarantees 1000 hours 105°C.



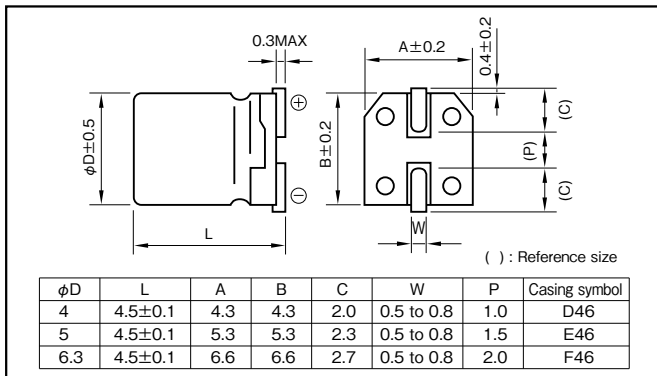
Marking color : Black print

Specifications

Item	Performance						
Category temperature range (°C)	-40 to +105						
Tolerance at rated capacitance (%)	±20 (20°C,120Hz)						
Leakage current (µA)	Less than 0.01CV or 3 whichever is larger (after 2 minutes) C : Rated capacitance (µF), V : Rated voltage (V) (20°C)						
Tangent of loss angle (tanδ)	Rated voltage (V)	6.3	10	16	25	35	50
	tanδ (max.)	0.38	0.32	0.20	0.16	0.14	0.14
Characteristics at high and low temperature	Rated voltage (V)	Z-25°C/Z+20°C	4	3	2	2	2
		Z-40°C/Z+20°C	10	8	6	4	3
	Impedance ratio (max.)	(120Hz)					
Endurance (105°C)	Test time	1000 hours					
	Leakage current	The initial specified value or less					
	Percentage of capacitance change	Within ±20% of initial value (16VV or less:±25%)					
	Tangent of loss angle	300% or less of the initial specified value					
Shelf life (105°C)	Test time : 500 hours ; other items are the same as those for the endurance. Voltage application treatment						
Applicable standards	JIS C5101-1 1998, -18 1999 (IEC 60384-1 1992, -18 1993)						

Outline Drawing

Unit : mm



Coefficient of Frequency for Rated Ripple Current

Rated voltage (V)	Frequency (Hz)			
	50 · 60	120	1k	10k · 100k
6.3 to 16	0.80	1.00	1.15	1.25
25 to 35	0.80	1.00	1.25	1.40
50	0.1 to 3.3µF	0.50	1.00	1.35
	4.7µF to 10µF	0.70	1.00	1.35

Part numbering system (example : 16V10µF)

RVE	—	16	V	100	M	D46	U	□
Series code		Rated voltage symbol		Rated capacitance symbol	Capacitance tolerance symbol	Casing symbol		Taping symbol

- Soldering conditions are described on page 13.
- Land pattern size are described on page 11.
- The taping specifications are described on page 14.

Standard Ratings

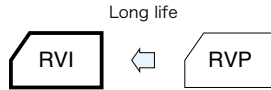
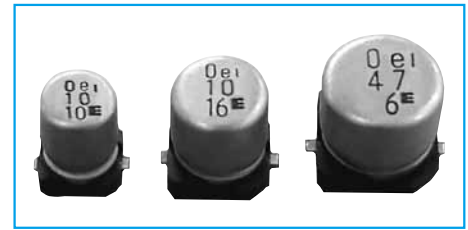
Rated voltage (V)	6.3			10			16			25			35			50		
	Case φD(mm)	Casing symbol	Rated ripple current (mA _{RMS})	Case φD(mm)	Casing symbol	Rated ripple current (mA _{RMS})	Case φD(mm)	Casing symbol	Rated ripple current (mA _{RMS})	Case φD(mm)	Casing symbol	Rated ripple current (mA _{RMS})	Case φD(mm)	Casing symbol	Rated ripple current (mA _{RMS})	Case φD(mm)	Casing symbol	Rated ripple current (mA _{RMS})
0.22	—	—	—	—	—	—	—	—	—	—	—	—	—	—	—	4	D46	2.2
0.33	—	—	—	—	—	—	—	—	—	—	—	—	—	—	—	4	D46	2.8
0.47	—	—	—	—	—	—	—	—	—	—	—	—	—	—	—	4	D46	3.3
1	—	—	—	—	—	—	—	—	—	—	—	—	—	—	—	4	D46	5.4
2.2	—	—	—	—	—	—	—	—	—	—	—	—	—	—	—	4	D46	9.6
3.3	—	—	—	—	—	—	—	—	—	—	—	—	—	—	—	4	D46	12
4.7	—	—	—	—	—	—	—	—	—	4	D46	11	4	D46	13	5	E46	16
10	—	—	—	—	—	—	4	D46	16	5	E46	20	5	E46	22	6.3	F46	26
22	4	D46	19	5	E46	24	5	E46	26	6.3	F46	33	6.3	F46	36	—	—	—
33	5	E46	26	5	E46	30	6.3	F46	35	6.3	F46	42	—	—	—	—	—	—
47	5	E46	32	6.3	F46	40	6.3	F46	44	—	—	—	—	—	—	—	—	—
100	6.3	F46	52	—	—	—	—	—	—	—	—	—	—	—	—	—	—	—

(Note) Rated ripple current : 105°C, 120Hz

Chip Type 105°C Use, Long Life Bipolar Capacitors

GREEN CAP SMD 105°C 2000hours Anti-cleaning solvent

- Compatible with surface mounting.
- Supplied with carrier taping.
- Guarantees 2000 hours 105°C.



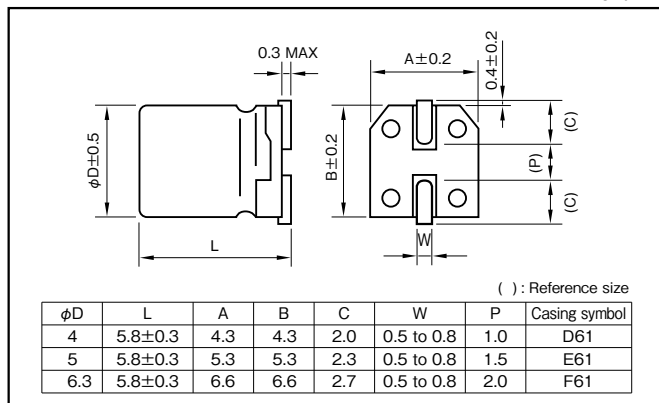
Marking color : Black print

Specifications

Item	Performance						
Category temperature range (°C)	-40 to +105						
Tolerance at rated capacitance (%)	±20 (20°C,120Hz)						
Leakage current (μA)	Less than 0.01CV or 3 whichever is larger (after 2 minutes) C : Rated capacitance (μF) , V : Rated voltage (V) (20°C)						
Tangent of loss angle (tanδ)	Rated voltage (V)	6.3	10	16	25	35	50
	tanδ (max.)	0.30	0.22	0.16	0.14	0.12	0.12
Characteristics at high and low temperature	Rated voltage (V)	6.3	10	16	25	35	50
	Impedance ratio (max.)	Z-25°C/Z+20°C	4	3	2	2	2
		Z-40°C/Z+20°C	8	6	4	4	3
Endurance (105°C)	Test time	2000 hours (with the polarity inverted every 250 hours)					
	Leakage current	The initial specified value or less					
	Percentage of capacitance change	Within ±20% of initial value					
	Tangent of loss angle	200% or less of the initial specified value					
Shelf life (105°C)	Test time : 1000 hours ; other items are the same as those for the endurance. Voltage application treatment						
Applicable standards	JIS C5101-1 1998, -18 1999 (IEC 60384-1 1992, -18 1993)						

CHIP ALUMINUM

Outline Drawing

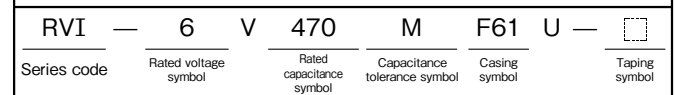


- Soldering conditions are described on page 13.
- Land pattern size are described on page 11.
- The taping specifications are described on page 14.

Coefficient of Frequency for Rated Ripple Current

Rated voltage (V)	Frequency (Hz)			
	50 - 60	120	1k	10k - 100k
6.3 to 16	0.80	1	1.15	1.25
25 to 35	0.80	1	1.25	1.40
50	0.1 to 3.3μF	0.50	1	1.35
	4.7μF	0.70	1	1.35

Part numbering system (example : 6.3V47μF)



Standard Ratings

Rated capacitance (μF)	6.3		10		16		25		35		50	
	Case φD (mm)	Rated ripple current (mArms)	Case φD (mm)	Rated ripple current (mArms)	Case φD (mm)	Rated ripple current (mArms)	Case φD (mm)	Rated ripple current (mArms)	Case φD (mm)	Rated ripple current (mArms)	Case φD (mm)	Rated ripple current (mArms)
0.33	-	-	-	-	-	-	-	-	-	-	4	3
0.47	-	-	-	-	-	-	-	-	-	-	4	5
1	-	-	-	-	-	-	-	-	-	-	4	10
2.2	-	-	-	-	-	-	-	-	4	10	-	-
3.3	-	-	-	-	-	-	4	12	-	-	5	17
4.7	-	-	-	-	-	-	4	12	-	-	6.3	20
	-	-	-	-	-	-	-	-	-	-	6.3	23
10	-	-	4	20	5	25	6.3	28	-	-	-	-
22	-	-	-	-	-	-	6.3	55	-	-	-	-
33	-	-	6.3	41	-	-	-	-	-	-	-	-
47	6.3	45	-	-	-	-	-	-	-	-	-	-

(Note) Rated ripple current : 105°C, 120Hz

Chip Type 125°C Capacitors

- SMD
- Vibration Resistance
- 125°C 1250hours
- 105°C 5000hours
- Anti-cleaning solvent

- Compatible with surface mounting.
- For Vibration resistance.
- Supplied with carrier taping.
- Guarantees 1250 hours at 125°C. (φ8 : 1000 hours)
- Guarantees 5000 hours at 105°C. (φ8 : 4000 hours)



↑ Vibration resistance



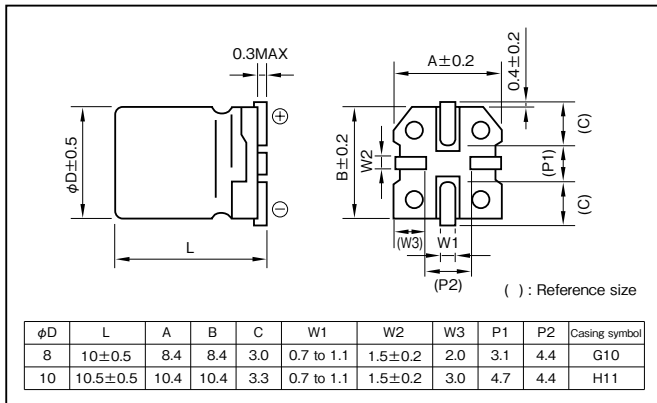
Marking color : Gold print on a brown sleeve

Specifications

Item	Performance								
Category temperature range (°C)	-40 to +125								
Tolerance at rated capacitance (%)	±20 (20°C,120Hz)								
Leakage current (μA)	Less than 0.02CV or 3 whichever is larger (after 2 minutes) C : Rated capacitance (μF) ; V : Rated voltage (V) (20°C)								
Tangent of loss angle (tanδ)	Rated voltage (V)	10	16	25	35	50	63		
	tanδ (max.)	0.28	0.26	0.24	0.20	0.19	0.18	(20°C,120Hz)	
Characteristics at high and low temperature	Rated voltage (V)	10	16	25	35	50	63		
	Impedance ratio (max.)	Z-25°C/Z+20°C	3	3	3	3	3	3	
		Z-40°C/Z+20°C	5	5	5	5	5	5	(120Hz)
Endurance (Applied ripple current)	Test temp.	125°C				105°C			
	Test time	φ8 : 1000h, φ10 : 1250h				φ8 : 4000h, φ10 : 5000h			
	Leakage current	The initial specified value or less							
	Percentage of capacitance change	Within ±30% of initial value							
	Tangent of the loss angle	300% or less of the initial specified value							
Shelf life	Test temp.	125°C				105°C			
	Test time	500 h				1000h			
	Leakage current	The initial specified value or less							
	Percentage of capacitance change	Within ±20% of initial value							
	Tangent of the loss angle	200% or less of the initial specified value							
Applicable standards	JIS C5101-1 1998, -18 1999 (IEC 60384-1 1992, -18 1993)								

Outline Drawing

Unit : mm



Coefficient of Frequency for Rated Ripple Current

Frequency (Hz)	120	1k	10k	100k
Rated voltage (V)				
10 to 63	0.77	0.88	0.96	1

Part numbering system (example : 16V220μF)

RTK	—	16	V	221	M	H11	U	□
Series code		Rated voltage symbol		Rated capacitance symbol	Capacitance tolerance symbol	Casing symbol		Taping symbol

- Soldering conditions are described on page 13.
- Land pattern size are described on page 11.
- The taping specifications are described on page 14.

Standard Ratings

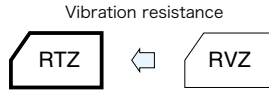
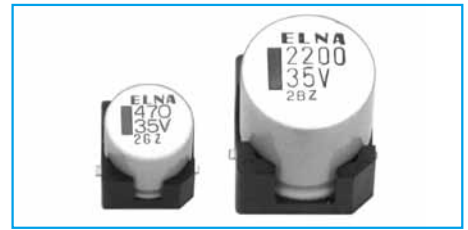
Rated voltage (V)	10				16				25				35				50				63			
	Case	ESR	Impedance	Rated ripple current	Case	ESR	Impedance	Rated ripple current	Case	ESR	Impedance	Rated ripple current	Case	ESR	Impedance	Rated ripple current	Case	ESR	Impedance	Rated ripple current	Case	ESR	Impedance	Rated ripple current
Rated capacitance (μF)	φD×L (mm)	(Ω)	(Ω max.)	(mA _{rms})	φD×L (mm)	(Ω)	(Ω max.)	(mA _{rms})	φD×L (mm)	(Ω)	(Ω max.)	(mA _{rms})	φD×L (mm)	(Ω)	(Ω max.)	(mA _{rms})	φD×L (mm)	(Ω)	(Ω max.)	(mA _{rms})	φD×L (mm)	(Ω)	(Ω max.)	(mA _{rms})
10	—	—	—	—	—	—	—	—	—	—	—	—	—	—	—	—	8×10	32	0.80	38	—	—	—	—
																	10×10.5	32	0.65	45	—	—	—	—
22	—	—	—	—	—	—	—	—	—	—	—	—	—	—	—	—	8×10	14	0.80	38	8×10	14	1.00	33
																	10×10.5	14	0.65	48	10×10.5	14	0.67	48
33	—	—	—	—	—	—	—	—	—	—	—	—	—	—	—	—	8×10	10	0.80	40	—	—	—	—
																	10×10.5	10	0.60	58	—	—	—	—
47	—	—	—	—	—	—	—	—	—	—	—	—	—	—	—	—	8×10	7.1	0.68	65	8×10	6.7	0.80	40
																	10×10.5	7.1	0.58	70	10×10.5	6.7	0.60	58
100	—	—	—	—	8×10	4.3	0.68	60	8×10	4.0	0.68	60	10×10.5	3.3	0.55	102	—	—	—	—	—	—	—	—
																	8×10	2.1	0.68	60	10×10.5	2.0	0.55	107
220	—	—	—	—	10×10.5	2.0	0.55	107	10×10.5	1.8	0.55	107	—	—	—	—	—	—	—	—	—	—	—	—
																	10×10.5	2.1	0.55	111	—	—	—	—
330	—	—	—	—	10×10.5	1.3	0.55	111	—	—	—	—	—	—	—	—	10×10.5	1.4	0.55	111	—	—	—	—

(Note) Rated ripple current : 125°C, 100kHz ; Impedance : 20°C, 100kHz ; ESR : 20°C, 120Hz

Chip Type 105°C Use, Low Z, For Vibration Capacitors

GREEN CAP SMD Vibration Resistance Low Z 105°C 2000hours

- Compatible with surface mounting.
- For Vibration resistance. (30G guaranteed)
- Supplied with carrier taping.
- Guarantees 2000 hours at 105°C. (φ12.5 to φ18 : 5000hours)



Marking color : Black print

Specifications

Item	Performance						
Category temperature range (°C)	-55 to +105						
Tolerance at rated capacitance (%)	±20 (20°C,120Hz)						
Leakage current (μA)	Less than 0.01CV or 3 whichever is larger (after 2 minutes) C : Rated capacitance (μF) , V : Rated voltage (V) (20°C)						
Tangent of loss angle (tanδ)	Rated voltage (V)	6.3	10	16	25	35	
	tanδ (max.)	0.28	0.24	0.20	0.16	0.14	
0.02 is added to every 1000μF increase over 1000μF (20°C,120Hz)							
Characteristics at high and low temperature	Impedance ratio (max.)	Rated voltage (V)	6.3	10	16	25	35
		Z-25°C/Z+20°C	4	3	2	2	2
		Z-55°C/Z+20°C	8	5	4	3	3
(120Hz)							
Endurance (105°C) (Applied ripple current)	Test time	2000 hours (φ8, 10) 5000 hours (φ12.5 to 18)					
	Leakage current	The initial specified value or less					
	Percentage of capacitance change	Within ±25% of initial value					
	Tangent of loss angle	200% or less of the initial specified value					
Shelf life (105°C)	Test time : 1000 hours ; other items are the same as those for the endurance. Voltage application treatment : According to JIS C5101-1						
Applicable standards	JIS C5101-1 1998, -18 1999 (IEC 60384-1 1992, -18 1993)						

Outline Drawing

Unit : mm

φD	L	A	B	C	W	P	M	Casing symbol
8	10±0.5	8.4	8.4	3.0	0.7 to 1.1	3.1	0.4±0.2	G10
8	10.5±0.5	8.4	8.4	3.0	0.7 to 1.1	3.1	0.4±0.2	GA5
10	10±0.5	10.4	10.4	3.3	0.7 to 1.1	4.7	0.4±0.2	H10
10	10.5±0.5	10.4	10.4	3.3	0.7 to 1.1	4.7	0.4±0.2	HA5
12.5	13.5±0.5	13.0	13.0	4.9	1.0 to 1.4	4.6	0.7±0.3	IE
16	16.5±0.5	17.0	17.0	5.6	1.0 to 1.4	7.2	0.7±0.3	JH
16	21.5±0.5	17.0	17.0	5.6	1.0 to 1.4	7.2	0.7±0.3	JM
18	16.5±0.5	19.0	19.0	6.6	1.0 to 1.4	7.2	0.7±0.3	KH
18	21.5±0.5	19.0	19.0	6.6	1.0 to 1.4	7.2	0.7±0.3	KM

Coefficient of Frequency for Rated Ripple Current

Frequency (Hz)	120	1k	10k	100k
Rated voltage (V)				
6.3 to 35	0.50	0.75	0.90	1

Part numbering system

φ8, φ10 (6.3V1500μF)

RTZ — 6 V 152 M HA5 SU — □

Series code Rated voltage symbol Rated capacitance symbol Capacitance tolerance symbol Casing symbol Taping symbol

φ12.5 or more (6.3V2200μF)

RTZ — 6 V 222 M IE T — □

Series code Rated voltage symbol Rated capacitance symbol Capacitance tolerance symbol Casing symbol Taping symbol

- Soldering conditions are described on page 13.
- Land pattern size are described on page 11.
- The taping specifications are described on page 14.

Standard Ratings

Rated voltage (V)	Item	6.3				10				16				25				35						
		Case	Casing	Impedance	Rated ripple current	Case	Casing	Impedance	Rated ripple current	Case	Casing	Impedance	Rated ripple current	Case	Casing	Impedance	Rated ripple current	Case	Casing	Impedance	Rated ripple current			
Rated capacitance (μF)	φD×L (mm)	Symbol	(Ω max.)	(mA rms)	φD×L (mm)	Symbol	(Ω max.)	(mA rms)	φD×L (mm)	Symbol	(Ω max.)	(mA rms)	φD×L (mm)	Symbol	(Ω max.)	(mA rms)	φD×L (mm)	Symbol	(Ω max.)	(mA rms)				
150	—	—	—	—	—	—	—	—	—	—	—	—	—	—	—	—	—	—	—	—	—			
220	—	—	—	—	—	—	—	—	8×10	G10	0.20	450	8×10.5	GA5	0.17	450	10×10	H10	0.10	670	10×10.5	HA5	0.17	450
330	—	—	—	—	—	—	—	—	8×10.5	GA5	0.17	450	8×10.5	GA5	0.17	450	10×10	H10	0.10	670	10×10.5	HA5	0.090	670
470	8×10.5	GA5	0.17	450	8×10.5	GA5	0.17	450	8×10.5	GA5	0.17	450	10×10.5	HA5	0.090	670	10×10.5	HA5	0.090	670	12.5×13.5	IE	0.060	1100
680	8×10.5	GA5	0.17	450	10×10	H10	0.10	670	10×10	H10	0.10	670	10×10	H10	0.10	670	12.5×13.5	IE	0.060	1100	16×16.5	JH	0.046	1540
1000	8×10.5	GA5	0.17	450	10×10	H10	0.10	670	10×10	H10	0.10	670	12.5×13.5	IE	0.060	1100	12.5×13.5	IE	0.060	1100	16×16.5	JH	0.046	1540
1500	10×10.5	HA5	0.090	670	12.5×13.5	IE	0.060	1100	16×16.5	JH	0.046	1540	16×16.5	JH	0.046	1540	16×16.5	JH	0.046	1540	18×16.5	KH	0.042	1760
2200	12.5×13.5	IE	0.060	1100	12.5×13.5	IE	0.060	1100	16×16.6	JH	0.046	1540	16×16.6	JH	0.046	1540	16×21.5	JM	0.040	1840	18×16.5	KH	0.042	1760
3300	16×16.5	JH	0.046	1540	16×16.5	JH	0.046	1540	18×16.5	KH	0.042	1760	18×16.5	KH	0.042	1760	18×21.5	KM	0.038	1960	—	—	—	—
4700	16×21.5	JM	0.040	1840	16×21.5	JM	0.040	1840	18×21.5	KM	0.038	1960	—	—	—	—	—	—	—	—	—	—	—	—
6800	18×21.5	KM	0.038	1960	—	—	—	—	—	—	—	—	—	—	—	—	—	—	—	—	—	—	—	—
8200	18×21.5	KM	0.038	1960	—	—	—	—	—	—	—	—	—	—	—	—	—	—	—	—	—	—	—	—

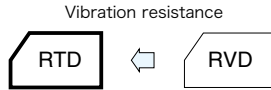
(Note) Rated ripple current : 105°C, 100kHz, Impedance : 20°C, 100kHz

NOTE : Design, Specifications are subject to change without notice. It is recommended that you shall obtain technical specifications from ELNA to ensure that the component is suitable for your use.

Chip Type 105°C Use, Low Z, Long Life, For Vibration Capacitors

GREEN CAP SMD Vibration Resistance Low Z 105°C 5000hours Anti-cleaning solvent

- Compatible with surface mounting.
- For Vibration resistance. (30G guaranteed)
- Supplied with carrier taping.
- Guarantees 5000 hours at 105°C.

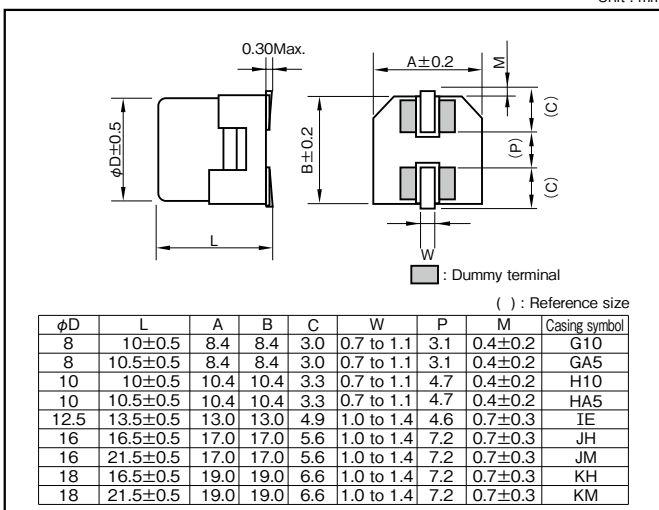


Marking color : Black print

Specifications

Item	Performance										
Category temperature range (°C)	-55 to +105										
Tolerance at rated capacitance (%)	±20 (20°C, 120Hz)										
Leakage current (µA)	Less than 0.01CV or 3 whichever is larger (after 2 minutes) C : Rated capacitance (µF) , V : Rated voltage (V) (20°C)										
Tangent of loss angle (tanδ)	Rated voltage (V)	6.3	10	16	25	35	50	63	80	100	
	tanδ (max.)	0.26	0.19	0.16	0.14	0.12	0.1	0.08	0.08	0.07	
0.02 is added to every 1000µF increase over 1000µF (20°C, 120Hz)											
Characteristics at high and low temperature	Rated voltage (V)	6.3	10	16	25	35	50	63	80	100	
	Impedance ratio (max.)	Z-25°C/Z+20°C	2	2	2	2	2	2	2	2	2
		Z-40°C/Z+20°C	3	3	3	3	3	3	3	3	3
Z-55°C/Z+20°C 8 4 4 3 3 3 3 3 3 3 (120Hz)											
Endurance (105°C)	Test time	5000 hours									
	Leakage current	The initial specified value or less									
	Percentage of capacitance change	Within ±30% of initial value									
	Tangent of loss angle	300% or less of the initial specified value									
Shelf life (105°C)	Test time : 1000 hours ; other items are the same as those for the endurance. Voltage application treatment : According to JIS C5101-1										
Applicable standards	JIS C5101-1 1998, -18 1999 (IEC 60384-1 1992, -18 1993)										

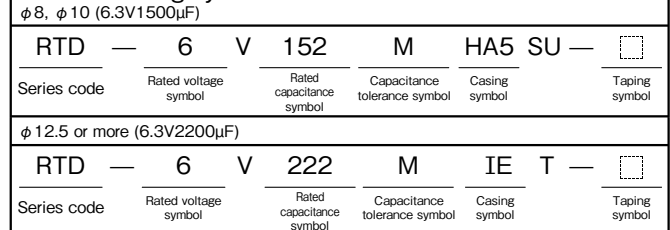
Outline Drawing



Coefficient of Frequency for Rated Ripple Current

Frequency (Hz)	120	1k	10k	100k
Rated voltage (V)	120	1k	10k	100k
6.3 to 100	0.50	0.75	0.90	1

Part numbering system



- Soldering conditions are described on page 13.
- Land pattern size are described on page 11.
- The taping specifications are described on page 14.

Standard Ratings

Rated voltage (V)	Item	6.3				10				16				25				35						
		Case φD×L (mm)	Casing symbol	Impedance (Ω max.)	Rated ripple current (mA Arms)	Case φD×L (mm)	Casing symbol	Impedance (Ω max.)	Rated ripple current (mA Arms)	Case φD×L (mm)	Casing symbol	Impedance (Ω max.)	Rated ripple current (mA Arms)	Case φD×L (mm)	Casing symbol	Impedance (Ω max.)	Rated ripple current (mA Arms)	Case φD×L (mm)	Casing symbol	Impedance (Ω max.)	Rated ripple current (mA Arms)			
100	—	—	—	—	—	—	—	—	—	—	—	—	—	—	—	—	—	—	—	—	—	—		
220	—	—	—	—	—	—	—	—	—	—	—	—	—	—	—	—	—	—	—	—	—	—		
330	—	—	—	—	—	—	—	—	—	—	—	—	—	—	—	—	—	—	—	—	—	—		
470	8×10.5	GA5	0.16	600	8×10.5	GA5	0.16	600	8×10.5	GA5	0.16	600	8×10.5	GA5	0.16	600	8×10.5	GA5	0.16	600	8×10.5	GA5	0.16	600
680	8×10.5	GA5	0.16	600	10×10.5	HA5	0.090	850	10×10.5	HA5	0.090	850	10×10.5	HA5	0.090	850	10×10.5	HA5	0.090	850	10×10.5	HA5	0.090	850
1000	8×10.5	GA5	0.16	600	10×10.5	HA5	0.090	850	12.5×13.5	IE	0.054	1160	12.5×13.5	IE	0.054	1160	12.5×13.5	IE	0.054	1160	12.5×13.5	IE	0.054	1160
1500	10×10.5	HA5	0.090	850	12.5×13.5	IE	0.054	1160	12.5×13.5	IE	0.054	1160	16×16.5	JH	0.044	1620	16×16.5	JH	0.044	1620	16×16.5	JH	0.044	1620
2200	12.5×13.5	IE	0.054	1160	12.5×13.5	IE	0.060	1160	16×16.5	JH	0.044	1620	16×16.5	JH	0.044	1620	16×16.5	JH	0.044	1620	16×16.5	JH	0.044	1620
3300	16×16.5	JH	0.044	1620	16×16.5	JH	0.044	1620	18×16.5	KH	0.040	1840	18×16.5	KH	0.040	1840	18×16.5	KH	0.040	1840	18×16.5	KH	0.040	1840
4700	18×16.5	KH	0.040	1840	18×21.5	KM	0.036	2080	18×21.5	KM	0.036	2080	18×21.5	KM	0.036	2080	18×21.5	KM	0.036	2080	18×21.5	KM	0.036	2080
6800	18×16.5	KH	0.040	1840	—	—	—	—	—	—	—	—	—	—	—	—	—	—	—	—	—	—	—	
8200	18×21.5	KM	0.036	2080	—	—	—	—	—	—	—	—	—	—	—	—	—	—	—	—	—	—	—	

Rated voltage (V)	Item	50				63				80				100			
		Case φD×L (mm)	Casing symbol	Impedance (Ω max.)	Rated ripple current (mA Arms)	Case φD×L (mm)	Casing symbol	Impedance (Ω max.)	Rated ripple current (mA Arms)	Case φD×L (mm)	Casing symbol	Impedance (Ω max.)	Rated ripple current (mA Arms)	Case φD×L (mm)	Casing symbol	Impedance (Ω max.)	Rated ripple current (mA Arms)
100	8×10.5	GA5	0.32	350	12.5×13.5	IE	0.16	600	12.5×13.5	IE	0.18	550	16×16.5	JH	0.17	700	
220	10×10.5	HA5	0.18	700	12.5×13.5	IE	0.16	600	16×16.5	JH	0.16	720	18×16.5	KH	0.15	800	
330	12.5×13.5	IE	0.12	900	16×16.5	JH	0.14	800	18×16.5	KH	0.13	830	18×21.5	KM	0.13	940	
470	16×16.5	JH	0.080	1000	18×16.5	KH	0.12	900	18×21.5	KM	0.11	1000	—	—	—	—	
680	16×16.5	JH	0.080	1000	18×21.5	KM	0.10	1050	—	—	—	—	—	—	—	—	
1000	18×16.5	KH	0.076	1100	—	—	—	—	—	—	—	—	—	—	—	—	

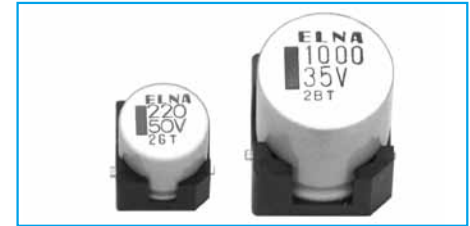
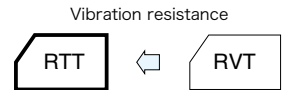
(Note) Rated ripple current : 105°C , 100kHz, Impedance : 20°C , 100kHz

NOTE : Design, Specifications are subject to change without notice. It is recommended that you shall obtain technical specifications from ELNA to ensure that the component is suitable for your use.

Chip Type 125°C Use, Low ESR, For Vibration Capacitors

GREEN CAP SMD Vibration Resistance Low ESR 125°C 2000hours Anti-cleaning solvent

- Compatible with surface mounting.
- For Vibration resistance. (30G guaranteed)
- Supplied with carrier taping.
- Guarantees 2000 hours at 125°C. (φ12.5 or more : 5000h)



Marking color : Black print

Specifications

Item	Performance								
Category temperature range (°C)	-40 to +125								
Tolerance at rated capacitance (%)	±20 (20°C,120Hz)								
Leakage current (μA)	Less than 0.01CV or 3 whichever is larger (after 2 minutes) C : Rated capacitance (μF) , V : Rated voltage (V) (20°C)								
Tangent of loss angle (tanδ)	Rated voltage (V)	10	16	25	35	50	63	80	100
	Tangent of loss angle	0.24	0.20	0.16	0.14	0.14	0.12	0.12	0.10
0.02 is added to every 1000μF increase over 1000μF (20°C,120Hz)									
Characteristics at high and low temperature	Rated voltage (V)	10	16	25	35	50	63	80	100
	Impedance ratio (max.)	Z-25°C/Z+20°C	3	2	2	2	2	2	2
Z-40°C/Z+20°C		4	3	3	3	3	3	3	3
(120Hz)									
Endurance (125°C)	Test time	2000 hours (φ12.5 or more : 5000h)							
	Leakage current	The initial specified value or less							
	Percentage of capacitance change	Within ±30% of initial value							
	Tangent of loss angle	300% or less of the initial specified value							
Shelf life (125°C)	Test time : 1000 hours ; other items are the same as those for the endurance. Voltage application treatment : According to JIS C5101-1								
Applicable standards	JIS C5101-1 1998, -18 1999 (IEC 60384-1 1992, -18 1993)								

Outline Drawing

φD	L	A	B	C	W	P	M	Casing symbol
8	10±0.5	8.4	8.4	3.0	0.7 to 1.1	3.1	0.4±0.2	G10
10	10±0.5	10.4	10.4	3.3	0.7 to 1.1	4.7	0.4±0.2	H10
12.5	13.5±0.5	13.0	13.0	4.9	1.0 to 1.4	4.6	0.7±0.3	IE
16	16.5±0.5	17.0	17.0	5.6	1.0 to 1.4	7.2	0.7±0.3	JH
16	21.5±0.5	17.0	17.0	5.6	1.0 to 1.4	7.2	0.7±0.3	JM
18	16.5±0.5	19.0	19.0	6.6	1.0 to 1.4	7.2	0.7±0.3	KH
18	21.5±0.5	19.0	19.0	6.6	1.0 to 1.4	7.2	0.7±0.3	KM

Coefficient of Frequency for Rated Ripple Current

Frequency (Hz)	120	1k	10k	100k
Rated voltage (V)				
10 to 100	0.77	0.88	0.96	1

Part numbering system

φ8, φ10 (35V100μF)

RTT — 35 V 101 M H10 SU — □

Series code Rated voltage symbol Rated capacitance symbol Capacitance tolerance symbol Casing symbol Taping symbol

φ12.5 or more (35V1000μF)

RTT — 35 V 102 M KM T — □

Series code Rated voltage symbol Rated capacitance symbol Capacitance tolerance symbol Casing symbol Taping symbol

- Soldering conditions are described on page 13.
- Land pattern size are described on page 11.
- The taping specifications are described on page 14.

Standard Ratings

Rated voltage (V)	10				16				25				35				50			
	Case	ESR (Ω max.)		Rated ripple current	Case	ESR (Ω max.)		Rated ripple current	Case	ESR (Ω max.)		Rated ripple current	Case	ESR (Ω max.)		Rated ripple current	Case	ESR (Ω max.)		Rated ripple current
Rated capacitance (μF)	φD×L (mm)	20°C	-40°C	(mArms)	φD×L (mm)	20°C	-40°C	(mArms)	φD×L (mm)	20°C	-40°C	(mArms)	φD×L (mm)	20°C	-40°C	(mArms)	φD×L (mm)	20°C	-40°C	(mArms)
100	—	—	—	—	—	—	—	—	—	—	—	—	8×10	0.25	2.5	340	10×10	0.50	7.5	250
220	—	—	—	—	8×10	0.25	2.5	340	8×10	0.25	2.5	340	8×10	0.25	2.5	340	12.5×13.5	0.18	2.7	550
330	—	—	—	—	10×10	0.15	1.5	500	10×10	0.15	1.5	500	10×10	0.15	1.5	500	12.5×13.5	0.18	2.7	550
470	—	—	—	—	10×10	0.15	1.5	500	10×10	0.15	1.5	500	12.5×13.5	0.086	1.29	750	16×16.5	0.12	1.8	850
680	—	—	—	—	10×10	0.15	1.5	500	12.5×13.5	0.086	1.29	750	16×16.5	0.060	0.90	1000	18×16.5	0.10	1.5	920
1000	—	—	—	—	12.5×13.5	0.086	1.29	750	12.5×13.5	0.086	1.29	750	16×16.5	0.060	0.90	1000	—	—	—	—
2200	—	—	—	—	16×16.5	0.050	0.75	1200	16×16.5	0.050	0.75	1200	18×16.5	0.050	0.75	1200	—	—	—	—
3300	—	—	—	—	18×16.5	0.050	0.75	1200	18×16.5	0.050	0.75	1200	18×21.5	0.042	0.63	1550	—	—	—	—
4700	—	—	—	—	18×21.5	0.042	0.63	1550	—	—	—	—	—	—	—	—	—	—	—	—

Rated voltage (V)	63			80			100					
	Case	ESR (Ω max.)		Rated ripple current	Case	ESR (Ω max.)		Rated ripple current	Case	ESR (Ω max.)		Rated ripple current
Rated capacitance (μF)	φD×L (mm)	20°C	-40°C	(mArms)	φD×L (mm)	20°C	-40°C	(mArms)	φD×L (mm)	20°C	-40°C	(mArms)
47	—	—	—	—	—	—	—	—	12.5×13.5	0.32	4.8	300
100	12.5×13.5	0.25	3.75	400	16 × 16.5	0.24	3.6	480	16×16.5	0.24	3.6	480
220	16×16.5	0.22	3.3	500	16 × 21.5	0.18	2.7	600	18×21.5	0.16	2.4	700
330	16×16.5	0.22	3.3	500	18 × 21.5	0.12	1.8	1000	—	—	—	—
470	16×21.5	0.16	2.4	650	—	—	—	—	—	—	—	—

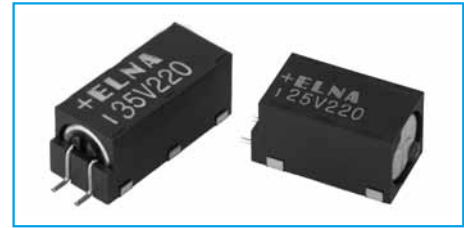
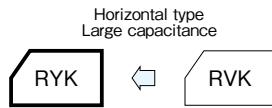
(Note) Rated ripple current : 105°C , 100kHz, ESR : 100kHz

NOTE : Design, Specifications are subject to change without notice. It is recommended that you shall obtain technical specifications from ELNA to ensure that the component is suitable for your use.

Horizontal Type, 125°C Use, For Vibration Capacitors

SMD	Vibration Resistance	125°C 1000hours	Anti-cleaning solvent
-----	----------------------	-----------------	-----------------------

- 125°C high temperature surface mount.
- Highly resistant to vibration.
- Available in horizontal configurations only.
- Supplied with carrier taping.
- Guarantees 1000 hours at 125°C.



Marking color : White print on a black case

Specifications

Item	Performance								
Category temperature range (°C)	-40 to +125								
Tolerance at rated capacitance (%)	±20 (20°C,120Hz)								
Leakage current (µA)	Less than 0.02CV (after 2 minutes) C : Rated capacitance (µF) ; V : Rated voltage (V) (20°C)								
Tangent of loss angle (tanδ)	Rated voltage (V)	6.3	10	16	25	35	50	63	
	tanδ (max.)	0.30	0.28	0.26	0.24	0.20	0.19	0.18	
Characteristics at high and low temperature	Rated voltage (V)	6.3	10	16	25	35	50	63	
	Impedance ratio (max.)	Z-25°C/Z+20°C	3	3	3	3	3	3	3
		Z-40°C/Z+20°C	5	5	5	5	5	5	5
Endurance (125°C) (Applied ripple current)	Test time	1000 hours							
	Leakage current	The initial specified value or less							
	Percentage of capacitance change	Within ±30% of initial value							
	Tangent of the loss angle	300% or less of the initial specified value							
Shelf life (125°C)	Test time	500 hours							
	Leakage current	The initial specified value or less							
	Percentage of capacitance change	Within ±20% of initial value							
	Tangent of the loss angle	200% or less of the initial specified value							
Applicable standards	Pretreatment performed JIS C5101-1 1998, -18 1999 (IEC 60384-1 1992, -18 1993)								

Outline Drawing

Unit : mm

Case Size : 9.5×24.0
■ 8 terminals type : Casing symbol G5T

Case size	W	L0	L	L1	H	H0	H1	F
9.5×24	9.5±0.5	24±1	21±0.5	22±0.5	9.3±0.5	9.3±0.5	9.1±0.3	3.5±0.5

Case Size : 9.5×19.0
■ 6 terminals type : Casing symbol G4

Case size	W	L0	L	L1	H	H0	H1	F
9.5×19	9.5±0.5	19±1	16±0.5	17±0.5	9.3±0.5	9.3±0.5	9.1±0.3	3.5±0.5

• Soldering conditions are described on page 11. • Land pattern size are described on page 12. • The taping specifications are described on page 13.

Part numbering system (example: 10V560µF)

RYK	—	10	V	561	M	G5T	T	—	FL
Series code		Rated voltage symbol		Rated capacitance symbol	Capacitance tolerance symbol	Casing symbol			Tray polarity symbol

Coefficient of Frequency for Rated Ripple Current

Frequency (Hz)	120	1k	10k	100k
Rated voltage (V)				
10 to 63	0.77	0.88	0.96	1

Standard Ratings

Rated capacitance (µF)	Item	6.3			10			16			25			35			50			63		
		Case W×L (mm)	Impedance (Ω max.)	Rated ripple current (mA _{rms})	Case W×L (mm)	Impedance (Ω max.)	Rated ripple current (mA _{rms})	Case W×L (mm)	Impedance (Ω max.)	Rated ripple current (mA _{rms})	Case W×L (mm)	Impedance (Ω max.)	Rated ripple current (mA _{rms})	Case W×L (mm)	Impedance (Ω max.)	Rated ripple current (mA _{rms})	Case W×L (mm)	Impedance (Ω max.)	Rated ripple current (mA _{rms})	Case W×L (mm)	Impedance (Ω max.)	Rated ripple current (mA _{rms})
56	—	—	—	—	—	—	—	—	—	—	—	—	—	—	—	—	—	—	—	—	—	—
82	—	—	—	—	—	—	—	—	—	—	—	—	—	—	—	—	—	—	—	—	—	—
100	—	—	—	—	—	—	—	—	—	—	—	—	—	—	—	—	—	—	—	—	—	—
220	—	—	—	—	—	—	—	—	—	—	—	—	—	—	—	—	—	—	—	—	—	—
270	—	—	—	—	—	—	—	—	—	—	—	—	—	—	—	—	—	—	—	—	—	—
470	—	—	—	—	—	—	—	—	—	—	—	—	—	—	—	—	—	—	—	—	—	—
560	9.5×19.0	0.40	232	9.5×24.0	0.30	302	—	—	—	—	—	—	—	—	—	—	—	—	—	—	—	—
820	9.5×24.0	0.30	302	—	—	—	—	—	—	—	—	—	—	—	—	—	—	—	—	—	—	—

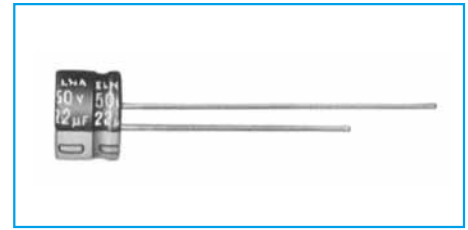
(Note) Rated ripple current : 125°C, 100kHz ; Impedance : 20°C, 100kHz

Miniature Aluminum Electrolytic Capacitors

5mm L, Standard Capacitors

GREEN CAP

- Diameters from $\phi 3$ to $\phi 8$ mm and a height of 5mm.



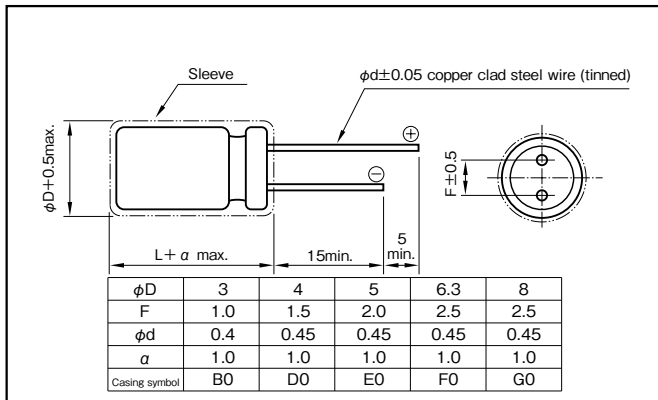
Marking color : White print on a blue sleeve ($\phi 3$: black sleeve)

Specifications

Item	Performance							
Category temperature range (°C)	-40 to +85							
Tolerance at rated capacitance (%)	±20 (20°C, 120Hz)							
Leakage current (µA)	Less than 0.01CV or 3 whichever is larger (after 2 minutes) C : Rated capacitance (µF); V : Rated voltage (V) (20°C)							
Tangent of loss angle (tanδ)	Rated voltage (V)							
		4	6.3	10	16	25	35	50
tanδ (max.)	$\phi 3$ to $\phi 6.3$	0.35	0.24	0.20	0.16	0.14	0.12	0.10
	$\phi 8$	0.39	0.28	0.24	0.16	0.14	0.12	0.10
Characteristics at high and low temperature	Rated voltage (V)							
		4	6.3	10	16	25	35	50
Impedance ratio (max.)	Z-25°C/Z+20°C	6	4	3	2	2	2	2
	Z-40°C/Z+20°C	16	10	8	6	4	4	4
Endurance (85°C) (Applied ripple current)	Test time	1000 hours						
	Leakage current	The initial specified value or less						
	Percentage of capacitance change	Within ±20% of initial value						
	Tangent of the loss angle	200% or less of the initial specified value						
Shelf life (85°C)	Test time : 1000 hours ; other items are the same as those for the endurance. Voltage application treatment : According to JIS C5101-1							
Applicable standards	JIS C5101-1, -4 1998 (IEC 60384-1 1992, -4 1985)							

Outline Drawing

Unit : mm



Coefficient of Frequency for Rated Ripple Current

Rated voltage (V)	Frequency (Hz)			
	50 · 60	120	1k	10k · 100k
4 to 16	0.8	1	1.1	1.2
25 to 35	0.8	1	1.5	1.7
50	0.8	1	1.6	1.9

Part numbering system (example : 6.3V100µF)

RC3	—	6	V	101	M	F0	#	*	—	□
Series code		Rated voltage symbol		Rated capacitance symbol	Capacitance tolerance symbol	Casing symbol	Additional symbol			Taping (Forming) symbol

*Should add "2", when size is $\phi 3 \times 5L$.

Standard Ratings

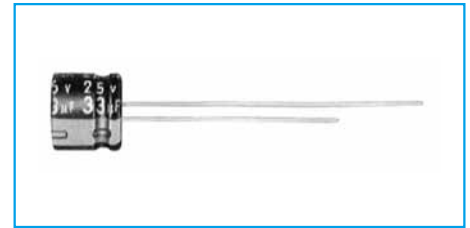
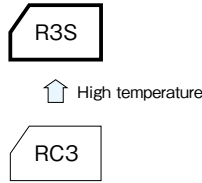
Rated capacitance (µF)	4		6.3		10		16		25		35		50	
	Case	Rated ripple current (mA _{rms})	Case	Rated ripple current (mA _{rms})	Case	Rated ripple current (mA _{rms})	Case	Rated ripple current (mA _{rms})	Case	Rated ripple current (mA _{rms})	Case	Rated ripple current (mA _{rms})	Case	Rated ripple current (mA _{rms})
Item	φD×L (mm)	(mA _{rms})	φD×L (mm)	(mA _{rms})	φD×L (mm)	(mA _{rms})	φD×L (mm)	(mA _{rms})	φD×L (mm)	(mA _{rms})	φD×L (mm)	(mA _{rms})	φD×L (mm)	(mA _{rms})
0.22	—	—	—	—	—	—	—	—	—	—	—	—	3×5	4
0.33	—	—	—	—	—	—	—	—	—	—	—	—	3×5	5
	—	—	—	—	—	—	—	—	—	—	—	—	4×5	6
0.47	—	—	—	—	—	—	—	—	—	—	—	—	3×5	6
	—	—	—	—	—	—	—	—	—	—	—	—	4×5	7
1	—	—	—	—	—	—	—	—	—	—	—	—	3×5	8
	—	—	—	—	—	—	—	—	—	—	—	—	4×5	10
2.2	—	—	—	—	—	—	—	—	—	—	—	—	3×5	11
	—	—	—	—	—	—	—	—	—	—	—	—	4×5	14
3.3	—	—	—	—	—	—	—	—	—	—	—	—	3×5	13
	—	—	—	—	—	—	—	—	—	—	—	—	4×5	15
4.7	—	—	—	—	—	—	—	—	—	—	—	—	4×5	18
	—	—	—	—	—	—	—	—	—	—	—	—	4×5	17
10	—	—	—	—	—	—	—	—	—	—	—	—	3×5	14
	—	—	—	—	—	—	—	—	—	—	—	—	4×5	17
22	—	—	—	—	—	—	—	—	—	—	—	—	4×5	17
	—	—	—	—	—	—	—	—	—	—	—	—	4×5	18
33	—	—	—	—	—	—	—	—	—	—	—	—	3×5	14
	—	—	—	—	—	—	—	—	—	—	—	—	4×5	17
47	—	—	—	—	—	—	—	—	—	—	—	—	4×5	18
	—	—	—	—	—	—	—	—	—	—	—	—	4×5	17
100	—	—	—	—	—	—	—	—	—	—	—	—	3×5	14
	—	—	—	—	—	—	—	—	—	—	—	—	4×5	17
220	—	—	—	—	—	—	—	—	—	—	—	—	4×5	17
	—	—	—	—	—	—	—	—	—	—	—	—	4×5	18
330	—	—	—	—	—	—	—	—	—	—	—	—	3×5	14
	—	—	—	—	—	—	—	—	—	—	—	—	4×5	17
470	—	—	—	—	—	—	—	—	—	—	—	—	4×5	17
	—	—	—	—	—	—	—	—	—	—	—	—	4×5	18

(Note) Rated ripple current : 85°C, 120Hz.

5mm L, 105°C Use Capacitors

GREEN CAP 105°C 1000hours Anti-cleaning solvent

- Diameters from $\phi 4$ to $\phi 6.3$ mm and a height of 5mm.
- Guarantees 1000 hours at 105°C.

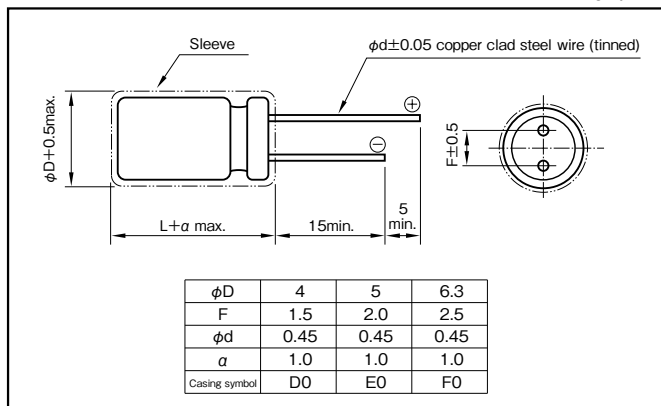


Marking color : White print on a black sleeve

Specifications

Item	Performance	
Category temperature range (°C)	-55 to +105	
Tolerance at rated capacitance (%)	±20 (20°C,120Hz)	
Leakage current (μA)	Less than 0.01CV or 3 whichever is larger (after 2 minutes) C : Rated capacitance (μF); V : Rated voltage (V) (20°C)	
Tangent of loss angle (tanδ)	Rated voltage (V)	6.3 10 16 25 35 50
	tanδ (max.)	0.28 0.24 0.20 0.14 0.12 0.10 (20°C,120Hz)
Characteristics at high and low temperature	Rated voltage (V)	6.3 10 16 25 35 50
	Impedance ratio (max.)	Z-25°C/Z+20°C 3 3 2 2 2 2 Z-40°C/Z+20°C 8 5 4 3 3 3 (120Hz)
Endurance (105°C) (Applied ripple current)	Test time	1000 hours
	Leakage current	The initial specified value or less
	Percentage of capacitance change	Within ±20% of initial value
	Tangent of the loss angle	200% or less of the initial specified value
Shelf life (105°C)	Test time : 1000 hours ; other items are the same as those for the endurance. Voltage application treatment : According to JIS C5101-1	
Applicable standards	JIS C5101-1, -4 1998 (IEC 60384-1 1992, -4 1985)	

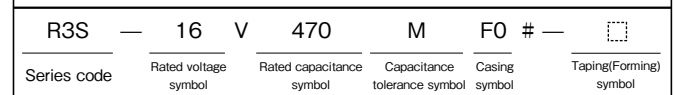
Outline Drawing



Coefficient of Frequency for Rated Ripple Current

Rated voltage (V)	Frequency (Hz)			
	50 · 60	120	1k	10k · 100k
6.3 to 16	0.64	0.80	0.92	1
25 to 35	0.57	0.71	0.89	1
50	0.53	0.67	0.90	1

Part numbering system (example : 16V47μF)



Standard Ratings

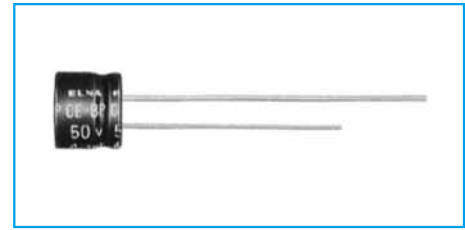
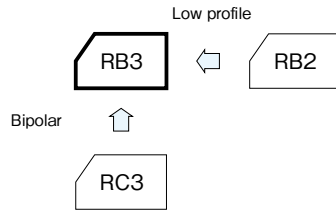
Rated voltage (V)	6.3		10		16		25		35		50		
	Item	Case	Rated ripple current	Case	Rated ripple current	Case	Rated ripple current	Case	Rated ripple current	Case	Rated ripple current	Case	Rated ripple current
Rated capacitance (μF)	φD×L (mm)	(mArms)	φD×L (mm)	(mArms)	φD×L (mm)	(mArms)	φD×L (mm)	(mArms)	φD×L (mm)	(mArms)	φD×L (mm)	(mArms)	
0.33	—	—	—	—	—	—	—	—	—	—	—	4×5	6
0.47	—	—	—	—	—	—	—	—	—	—	—	4×5	8
1	—	—	—	—	—	—	—	—	—	—	—	4×5	11
2.2	—	—	—	—	—	—	—	—	—	—	—	4×5	17
3.3	—	—	—	—	—	—	—	—	4×5	17	4×5	20	
4.7	—	—	—	—	4×5	15	4×5	18	4×5	20	5×5	27	
10	—	—	4×5	20	4×5	23	5×5	31	5×5	34	6.3×5	45	
22	4×5	26	5×5	34	5×5	38	6.3×5	53	6.3×5	57	—	—	
33	5×5	33	5×5	43	6.3×5	56	6.3×5	66	—	—	—	—	
47	5×5	45	6.3×5	58	6.3×5	65	—	—	—	—	—	—	
100	6.3×5	78	—	—	—	—	—	—	—	—	—	—	

(Note) Rated ripple current : 105°C, 100kHz.

5mm L, Bipolar Capacitors

GREEN CAP

- Diameters from $\phi 4$ to $\phi 6.3$ mm and a height of 5mm.



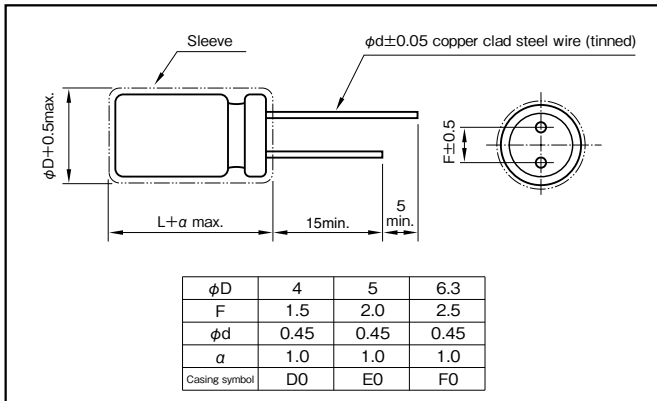
Marking color : White print on a blue sleeve

Specifications

Item	Performance
Category temperature range (°C)	-40 to +85
Tolerance at rated capacitance (%)	± 20 (20°C, 120Hz)
Leakage current (μA)	Less than $0.03CV + 3$ (after 5 minutes) C : Rated capacitance (μF); V : Rated voltage (V) (20°C)
Tangent of loss angle ($\tan \delta$)	Rated voltage (V)
	$\tan \delta$ (max.)
Endurance (85°C)	Test time
	Leakage current
	Percentage of capacitance change
	Tangent of the loss angle
Applicable standards	JIS C5101-1, -4 1998 (IEC 60384-1 1992, -4 1985)

Outline Drawing

Unit : mm



Coefficient of Frequency for Rated Ripple Current

Rated voltage (V)	Frequency (Hz)			
	50 - 60	120	1k	10k - 100k
6.3 to 16	0.8	1	1.1	1.2
25 to 35	0.8	1	1.5	1.7
50	0.8	1	1.6	1.9

Part numbering system (example : 10V47 μF)

RB3	—	10	V	470	M	F0	#	—	□
Series code		Rated voltage symbol		Rated capacitance symbol	Capacitance tolerance symbol	Casing symbol			Taping(Forming) symbol

Standard Ratings

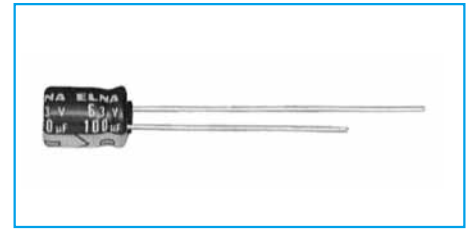
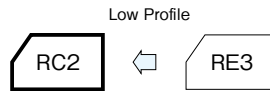
Rated voltage (V)	6.3		10		16		25		35		50	
	Case	Rated ripple current	Case	Rated ripple current	Case	Rated ripple current	Case	Rated ripple current	Case	Rated ripple current	Case	Rated ripple current
Rated capacitance (μF)	$\phi D \times L$ (mm)	(mArms)	$\phi D \times L$ (mm)	(mArms)	$\phi D \times L$ (mm)	(mArms)	$\phi D \times L$ (mm)	(mArms)	$\phi D \times L$ (mm)	(mArms)	$\phi D \times L$ (mm)	(mArms)
0.33	—	—	—	—	—	—	—	—	—	—	4×5	4
0.47	—	—	—	—	—	—	—	—	—	—	4×5	5
1	—	—	—	—	—	—	—	—	—	—	4×5	7
2.2	—	—	—	—	—	—	—	—	4×5	11	5×5	14
3.3	—	—	—	—	—	—	4×5	13	5×5	17	6.3×5	20
4.7	—	—	—	—	4×5	14	5×5	21	6.3×5	24	6.3×5	24
10	—	—	4×5	18	5×5	26	6.3×5	35	6.3×5	35	—	—
22	5×5	31	6.3×5	40	6.3×5	45	—	—	—	—	—	—
33	6.3×5	45	6.3×5	49	—	—	—	—	—	—	—	—
47	6.3×5	54	6.3×5	59	—	—	—	—	—	—	—	—

(Note) Rated ripple current : 85°C, 120Hz.

7mm L, Standard Capacitors

GREEN CAP Anti-cleaning solvent

- Diameters from $\phi 4$ to $\phi 8$ mm and a height of 7mm.
- Guarantees 1000 hours at 85°C.



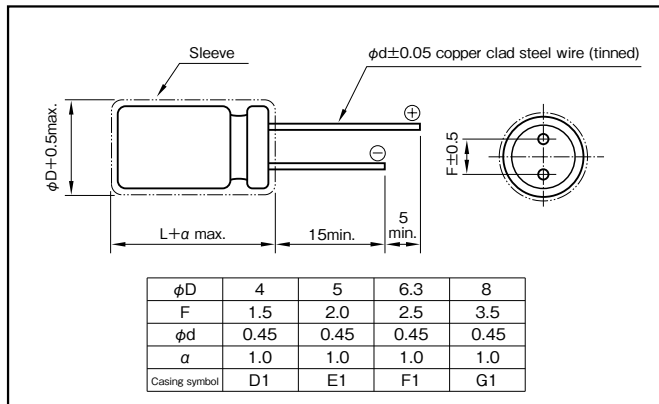
Marking color : White print on a blue sleeve

Specifications

Item	Performance									
Category temperature range (°C)	-40 to +85									
Tolerance at rated capacitance (%)	±20 (20°C, 120Hz)									
Leakage current (µA)	Less than 0.01CV or 3 whichever is larger (after 2 minutes) C : Rated capacitance (µF); V : Rated voltage (V) (20°C)									
Tangent of loss angle (tanδ)	Rated voltage (V)	4	6.3	10	16	25	35	50	63	100
	tanδ (max.)	0.35	0.24	0.20	0.16	0.14	0.12	0.10	0.08	0.08
Characteristics at high and low temperature	Rated voltage (V)	4	6.3	10	16	25	35	50	63	100
	Impedance ratio (max.)	Z-25°C/Z+20°C	6	4	3	2	2	2	2	2
Endurance (85°C) (Applied ripple current)	Test time	1000 hours								
	Leakage current	The initial specified value or less								
	Percentage of capacitance change	Within ±20% of initial value								
	Tangent of the loss angle	200% or less of the initial specified value								
Shelf life (85°C)	Test time : 1000 hours ; other items are the same as those for the endurance. Voltage application treatment : According to JIS C5101-1									
Applicable standards	JIS C5101-1, -4 1998 (IEC 60384-1 1992, -4 1985)									

Outline Drawing

Unit : mm



Coefficient of Frequency for Rated Ripple Current

Rated voltage (V)	Frequency (Hz)			
	50 · 60	120	1k	10k · 100k
4 to 16	0.8	1	1.1	1.2
25 to 35	0.8	1	1.5	1.7
50 to 100	0.8	1	1.6	1.9

Part numbering system (example : 10V220µF)

RC2	—	10	V	221	M	G1	#	□	—	□
Series code		Rated voltage symbol		Rated capacitance symbol	Capacitance tolerance symbol	Casing symbol	Optional symbol			Taping/Forming symbol

Standard Ratings

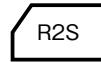
Rated voltage (V)	4		6.3		10		16		25		35		50		63		100	
	Case	Rated ripple current	Case	Rated ripple current	Case	Rated ripple current	Case	Rated ripple current	Case	Rated ripple current	Case	Rated ripple current	Case	Rated ripple current	Case	Rated ripple current	Case	Rated ripple current
Rated capacitance (µF)	$\phi D \times L$ (mm)	(mA rms)	$\phi D \times L$ (mm)	(mA rms)	$\phi D \times L$ (mm)	(mA rms)	$\phi D \times L$ (mm)	(mA rms)	$\phi D \times L$ (mm)	(mA rms)	$\phi D \times L$ (mm)	(mA rms)	$\phi D \times L$ (mm)	(mA rms)	$\phi D \times L$ (mm)	(mA rms)	$\phi D \times L$ (mm)	(mA rms)
0.33	—	—	—	—	—	—	—	—	—	—	—	—	—	4×7	7	4×7	7	—
0.47	—	—	—	—	—	—	—	—	—	—	—	—	—	4×7	8	4×7	8	—
1	—	—	—	—	—	—	—	—	—	—	—	—	—	4×7	10	4×7	10	4×7
2.2	—	—	—	—	—	—	—	—	—	—	—	—	—	4×7	15	4×7	15	5×7
3.3	—	—	—	—	—	—	—	—	—	—	—	—	—	4×7	20	4×7	23	6.3×7
4.7	—	—	—	—	—	—	—	—	—	—	—	—	—	4×7	24	5×7	30	6.3×7
10	—	—	—	—	—	—	—	4×7	25	4×7	30	4×7	30	5×7	40	6.3×7	50	—
22	—	—	4×7	35	4×7	35	4×7	40	5×7	50	5×7	55	6.3×7	70	—	—	—	—
33	4×7	35	4×7	40	4×7	45	5×7	55	6.3×7	70	6.3×7	75	8×7	100	—	—	—	—
47	4×7	40	4×7	50	5×7	60	5×7	70	6.3×7	85	8×7	110	—	—	—	—	—	—
100	5×7	70	5×7	80	6.3×7	105	6.3×7	120	8×7	145	—	—	—	—	—	—	—	—
220	6.3×7	120	6.3×7	140	8×7	185	8×7	205	—	—	—	—	—	—	—	—	—	—
330	8×7	170	8×7	205	—	—	—	—	—	—	—	—	—	—	—	—	—	—

(Note) Rated ripple current : 85°C, 120Hz.

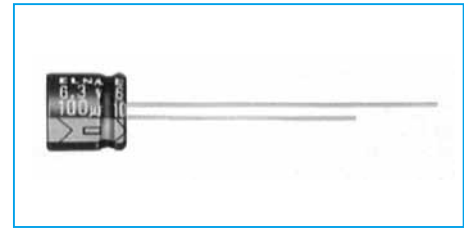
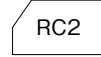
7mm L, 105°C Use Capacitors

GREEN CAP 105°C 1000hours Anti-cleaning solvent

- Diameters from $\phi 4$ to $\phi 6.3$ mm and a height of 7mm.
- Guarantees 1000 hours at 105°C.



High temperature



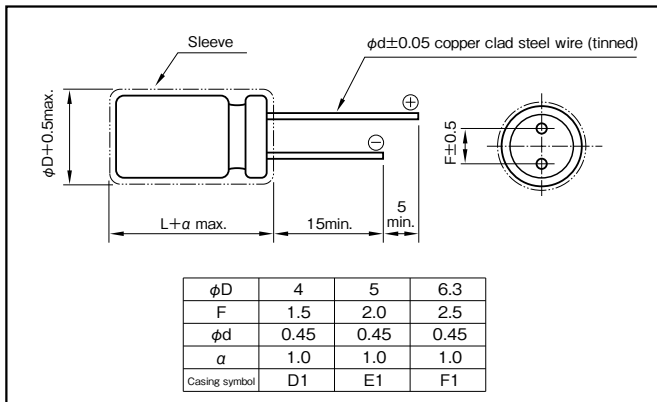
Marking color : White print on a black sleeve

Specifications

Item	Performance	
Category temperature range (°C)	-55 to +105	
Tolerance at rated capacitance (%)	±20 (20°C, 120Hz)	
Leakage current (μA)	Less than 0.01CV or 3 whichever is larger (after 2 minutes) C : Rated capacitance (μF); V : Rated voltage (V) (20°C)	
Tangent of loss angle (tanδ)	Rated voltage (V)	6.3 10 16 25 35 50
	tanδ (max.)	0.22 0.19 0.16 0.14 0.12 0.10
Characteristics at high and low temperature	Rated voltage (V)	6.3 10 16 25 35 50
	Impedance ratio (max.)	Z-25°C/Z+20°C 3 3 2 2 2 2 Z-40°C/Z+20°C 8 5 4 3 3 3
Endurance (105°C) (Applied ripple current)	Test time	1000 hours
	Leakage current	The initial specified value or less
	Percentage of capacitance change	Within ±20% of initial value
	Tangent of the loss angle	200% or less of the initial specified value
Shelf life (105°C)	Test time : 1000 hours ; other items are the same as those for the endurance. Voltage application treatment : According to JIS C5101-1	
Applicable standards	JIS C5101-1, -4 1998 (IEC 60384-1 1992, -4 1985)	

Outline Drawing

Unit : mm



Coefficient of Frequency for Rated Ripple Current

Rated voltage (V)	Frequency (Hz)			
	50 · 60	120	1k	10k · 100k
6.3 to 16	0.68	0.72	0.92	1
25 to 35	0.48	0.63	0.80	1
50	0.45	0.50	0.70	1

Part numbering system (example : 25V33μF)

R2S	—	25	V	330	M	F1	#	—	□
Series code		Rated voltage symbol		Rated capacitance symbol	Capacitance tolerance symbol	Casing symbol			Taping(Forming) symbol

Standard Ratings

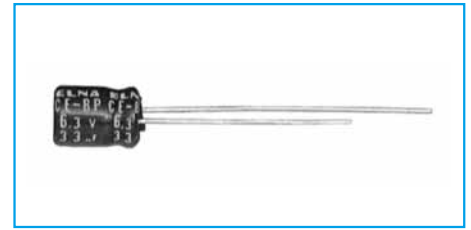
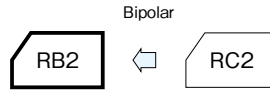
Rated voltage (V)	6.3		10		16		25		35		50	
	Case	Rated ripple current	Case	Rated ripple current	Case	Rated ripple current	Case	Rated ripple current	Case	Rated ripple current	Case	Rated ripple current
Rated capacitance (μF)	φD × L (mm)	(mArms)	φD × L (mm)	(mArms)	φD × L (mm)	(mArms)	φD × L (mm)	(mArms)	φD × L (mm)	(mArms)	φD × L (mm)	(mArms)
0.33	—	—	—	—	—	—	—	—	—	—	4 × 7	10
0.47	—	—	—	—	—	—	—	—	—	—	4 × 7	12
1	—	—	—	—	—	—	—	—	—	—	4 × 7	16
2.2	—	—	—	—	—	—	—	—	—	—	4 × 7	25
3.3	—	—	—	—	—	—	4 × 7	21	4 × 7	23	4 × 7	28
4.7	—	—	—	—	—	—	4 × 7	25	4 × 7	25	5 × 7	48
10	—	—	—	—	4 × 7	39	5 × 7	47	5 × 7	48	6.3 × 7	75
22	4 × 7	42	4 × 7	49	5 × 7	54	6.3 × 7	87	6.3 × 7	90	—	—
33	5 × 7	53	5 × 7	60	6.3 × 7	83	6.3 × 7	90	—	—	—	—
47	5 × 7	64	6.3 × 7	95	6.3 × 7	95	—	—	—	—	—	—
100	6.3 × 7	96	—	—	—	—	—	—	—	—	—	—

(Note) Rated ripple current : 105°C, 100kHz.

7mm L, Bipolar Capacitors

GREEN CAP Anti-cleaning solvent

• Diameters from $\phi 4$ to $\phi 6.3$ mm and a height of 7mm.

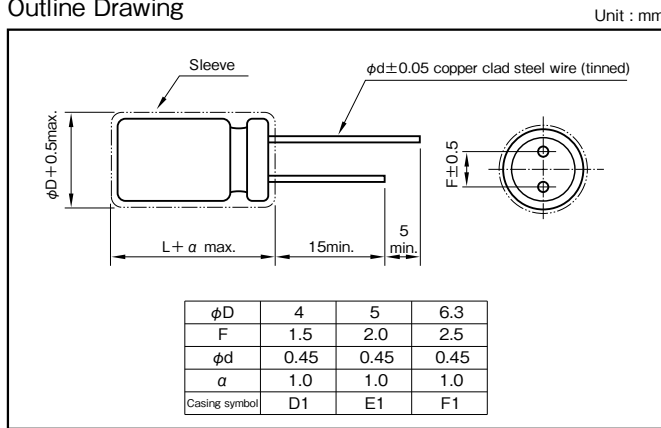


Marking color : White print on a blue sleeve

Specifications

Item	Performance						
Category temperature range (°C)	-40 to +85						
Tolerance at rated capacitance (%)	±20 (20°C, 120Hz)						
Leakage current (μA)	Less than 0.03CV + 3 (after 5 minutes) C : Rated capacitance (μF) ; V : Rated voltage (V) (20°C)						
Tangent of loss angle (tanδ)	Rated voltage (V)	6.3	10	16	25	35	50
	tanδ (max.)	0.30	0.25	0.20	0.15	0.15	0.15
Endurance (85°C)	Test time	1000 hours (with the polarity inverted every 250 hours)					
	Leakage current	The initial specified value or less					
	Percentage of capacitance change	Within ±20% of initial value					
	Tangent of the loss angle	200% or less of the initial specified value					
Applicable standards	JIS C5101-1, -4 1998 (IEC 60384-1 1992, -4 1985)						

Outline Drawing



Coefficient of Frequency for Rated Ripple Current

Rated voltage (V)	Frequency (Hz)			
	50 · 60	120	1k	10k · 100k
6.3 to 16	0.8	1	1.1	1.2
25 to 35	0.8	1	1.5	1.7
50	0.8	1	1.6	1.9

Part numbering system (example: 16V47μF)

RB2	—	16	V	470	M	F1	#	—	□
Series code		Rated voltage symbol		Rated capacitance symbol	Capacitance tolerance symbol	Casing symbol			Taping(Forming) symbol

Standard Ratings

Rated voltage (V)	6.3		10		16		25		35		50	
	Case	Rated ripple current (mArms)	Case	Rated ripple current (mArms)	Case	Rated ripple current (mArms)	Case	Rated ripple current (mArms)	Case	Rated ripple current (mArms)	Case	Rated ripple current (mArms)
Rated capacitance (μF)	φD×L (mm)		φD×L (mm)		φD×L (mm)		φD×L (mm)		φD×L (mm)		φD×L (mm)	
0.33	—	—	—	—	—	—	—	—	—	—	4×7	5
0.47	—	—	—	—	—	—	—	—	—	—	4×7	6
1	—	—	—	—	—	—	—	—	—	—	4×7	9
2.2	—	—	—	—	—	—	—	—	4×7	14	5×7	16
3.3	—	—	—	—	—	—	4×7	17	5×7	19	5×7	19
4.7	—	—	—	—	4×7	17	5×7	23	5×7	23	6.3×7	27
10	—	—	4×7	23	5×7	29	6.3×7	39	6.3×7	39	—	—
22	5×7	35	5×7	39	6.3×7	50	6.3×7	58	—	—	—	—
33	5×7	43	6.3×7	55	6.3×7	61	6.3×7	71	—	—	—	—
47	6.3×7	60	6.3×7	66	6.3×7	73	—	—	—	—	—	—

(Note) Rated ripple current : 85°C, 120Hz.

Standard Capacitors

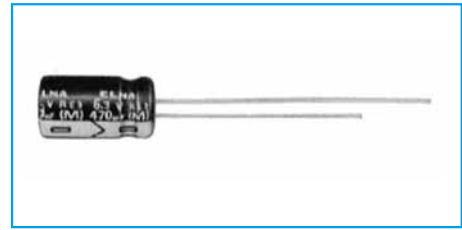
GREEN CAP Anti-cleaning solvent 250V Max.

• Guarantees 2000 hours at 85°C.

RJ4

High temperature

RE3



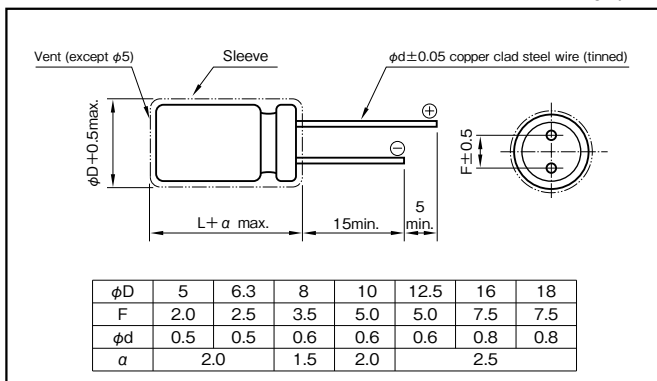
Marking color : White print on a blue sleeve

Specifications

Item	Performance																																															
Category temperature range (°C)	-40 to +85																																															
Tolerance at rated capacitance (%)	±20 (20°C, 120Hz)																																															
Leakage current (µA)	<table border="1"> <tr> <td>Rated voltage (V)</td> <td>6.3 to 100</td> <td>160 to 450</td> </tr> <tr> <td>Leakage current (µA)</td> <td>Less than 0.03CV or 4 whichever is larger (after 1 minute) Less than 0.01CV or 3 whichever is larger (after 2 minutes)</td> <td>CV ≤ 1000 : Less than 0.1CV + 40 (after 1 minute) CV > 1000 : Less than 0.04CV + 100 (after 1 minute)</td> </tr> </table>	Rated voltage (V)	6.3 to 100	160 to 450	Leakage current (µA)	Less than 0.03CV or 4 whichever is larger (after 1 minute) Less than 0.01CV or 3 whichever is larger (after 2 minutes)	CV ≤ 1000 : Less than 0.1CV + 40 (after 1 minute) CV > 1000 : Less than 0.04CV + 100 (after 1 minute)																																									
	Rated voltage (V)	6.3 to 100	160 to 450																																													
Leakage current (µA)	Less than 0.03CV or 4 whichever is larger (after 1 minute) Less than 0.01CV or 3 whichever is larger (after 2 minutes)	CV ≤ 1000 : Less than 0.1CV + 40 (after 1 minute) CV > 1000 : Less than 0.04CV + 100 (after 1 minute)																																														
C : Rated capacitance (µF) V : Rated voltage (V) (20°C)																																																
Tangent of loss angle (tanδ)	<table border="1"> <tr> <td>Rated voltage (V)</td> <td>6.3</td><td>10</td><td>16</td><td>25</td><td>35</td><td>50</td><td>63</td><td>100</td><td>160</td><td>200</td><td>250</td><td>315</td><td>350</td><td>400</td><td>450</td> </tr> <tr> <td>tanδ (max.)</td> <td>0.28</td><td>0.24</td><td>0.20</td><td>0.16</td><td>0.14</td><td>0.12</td><td>0.10</td><td>0.08</td><td>0.20</td><td>0.20</td><td>0.20</td><td>0.24</td><td>0.24</td><td>0.24</td><td>0.24</td> </tr> </table>	Rated voltage (V)	6.3	10	16	25	35	50	63	100	160	200	250	315	350	400	450	tanδ (max.)	0.28	0.24	0.20	0.16	0.14	0.12	0.10	0.08	0.20	0.20	0.20	0.24	0.24	0.24	0.24															
	Rated voltage (V)	6.3	10	16	25	35	50	63	100	160	200	250	315	350	400	450																																
tanδ (max.)	0.28	0.24	0.20	0.16	0.14	0.12	0.10	0.08	0.20	0.20	0.20	0.24	0.24	0.24	0.24																																	
0.02 is added to every 1000µF increase over 1000µF. (20°C, 120Hz)																																																
Characteristics at high and low temperature	<table border="1"> <tr> <td>Rated voltage (V)</td> <td>6.3</td><td>10</td><td>16</td><td>25</td><td>35</td><td>50</td><td>63</td><td>100</td><td>160</td><td>200</td><td>250</td><td>315</td><td>350</td><td>400</td><td>450</td> </tr> <tr> <td rowspan="2">Impedance ratio (max.)</td> <td>Z-25°C/Z+20°C</td> <td>5</td><td>4</td><td>3</td><td>2</td><td>2</td><td>2</td><td>2</td><td>4</td><td>4</td><td>4</td><td>4</td><td>4</td><td>4</td><td>4</td> </tr> <tr> <td>Z-40°C/Z+20°C</td> <td>12</td><td>10</td><td>8</td><td>5</td><td>4</td><td>3</td><td>3</td><td>3</td><td>15</td><td>15</td><td>15</td><td>10</td><td>10</td><td>10</td> </tr> </table>	Rated voltage (V)	6.3	10	16	25	35	50	63	100	160	200	250	315	350	400	450	Impedance ratio (max.)	Z-25°C/Z+20°C	5	4	3	2	2	2	2	4	4	4	4	4	4	4	Z-40°C/Z+20°C	12	10	8	5	4	3	3	3	15	15	15	10	10	10
	Rated voltage (V)	6.3	10	16	25	35	50	63	100	160	200	250	315	350	400	450																																
Impedance ratio (max.)	Z-25°C/Z+20°C	5	4	3	2	2	2	2	4	4	4	4	4	4	4																																	
	Z-40°C/Z+20°C	12	10	8	5	4	3	3	3	15	15	15	10	10	10																																	
(120Hz)																																																
Endurance (85°C) (Applied ripple current)	Test time	2000 hours																																														
	Leakage current	The initial specified value or less																																														
	Percentage of capacitance change	Within ±20% of initial value																																														
	Tangent of the loss angle	200% or less of the initial specified value																																														
Shelf life (85°C)	Test time : 1000 hours ; other items are the same as those for the endurance. Voltage application treatment : According to JIS C5101 -1																																															
Applicable standards	JIS C5101-1, -4 1998 (IEC 60384-1 1992, -4 1985)																																															

Outline Drawing

Unit : mm



Coefficient of Frequency for Rated Ripple Current

Rated voltage (V)	CV (µF×VV)	Frequency (Hz)				
		50 · 60	120	1k	10k	100k
6.3 to 16	All CV value	0.8	1	1.1	1.2	1.2
	≤1000	0.8	1	1.5	1.7	1.7
25 to 35	1000<	0.8	1	1.2	1.3	1.3
	≤1000	0.8	1	1.6	1.9	1.9
50 to 100	1000<	0.8	1	1.2	1.3	1.3
	All CV value	0.8	1	1.3	1.5	1.6

Part numbering system (example : 16V1000µF)

RE3	—	16	V	102	M	H4	#	□	—	□
Series code		Rated voltage symbol		Rated capacitance symbol	Capacitance tolerance symbol	Casing symbol	Optional symbol			Taping/Forming symbol

Casing symbol

Size φD×L (mm)	Casing Symbol	Size φD×L (mm)	Casing Symbol
5×11	E3	12.5×25	I6
6.3×11	F3	16×25	J6
8×11.5	G3	16×31.5	J7
10×12.5	H3	16×35.5	J8
10×16	H4	18×31.5	K7
10×20	H5	18×35.5	K8
12.5×20	I5	18×40	K9

Standard Ratings

Rated voltage (V) Rated capacitance (μF) Item	6.3			10			16			25			35			50			63			100		
	Case	ESR (Ω)	Rated ripple current (mA rms)	Case	ESR (Ω)	Rated ripple current (mA rms)	Case	ESR (Ω)	Rated ripple current (mA rms)	Case	ESR (Ω)	Rated ripple current (mA rms)	Case	ESR (Ω)	Rated ripple current (mA rms)	Case	ESR (Ω)	Rated ripple current (mA rms)	Case	ESR (Ω)	Rated ripple current (mA rms)	Case	ESR (Ω)	Rated ripple current (mA rms)
	φD×L (mm)			φD×L (mm)			φD×L (mm)			φD×L (mm)			φD×L (mm)			φD×L (mm)			φD×L (mm)			φD×L (mm)		
1	—	—	—	—	—	—	—	—	—	—	—	—	—	—	—	5×11	199	21	—	—	—	5×11	133	21
2.2	—	—	—	—	—	—	—	—	—	—	—	—	—	—	—	5×11	90.5	31	—	—	—	5×11	60.3	30
3.3	—	—	—	—	—	—	—	—	—	—	—	—	—	—	—	5×11	60.3	38	—	—	—	5×11	40.2	40
4.7	—	—	—	—	—	—	—	—	—	5×11	56.5	38	5×11	49.4	40	5×11	42.3	45	5×11	35.3	45	5×11	28.2	45
10	—	—	—	—	—	—	5×11	33.2	50	5×11	26.5	55	5×11	23.2	59	5×11	19.9	66	5×11	16.6	66	6.3×11	13.3	75
22	—	—	—	—	—	—	5×11	15.1	75	5×11	12.1	82	5×11	10.6	87	5×11	9.1	98	5×11	7.5	100	6.3×11	6.0	130
33	—	—	—	—	—	—	5×11	10.1	92	5×11	8.0	100	5×11	7.0	107	5×11	6.0	126	6.3×11	5.0	140	8×11.5	4.0	180
47	—	—	—	5×11	8.5	99	5×11	7.1	110	5×11	5.7	118	5×11	4.9	130	6.3×11	4.2	155	6.3×11	3.5	170	10×12.5	2.8	230
100	—	—	—	5×11	3.8	146	5×11	3.3	160	6.3×11	2.7	199	6.3×11	2.3	214	8×11.5	2.0	260	10×12.5	1.7	300	10×20	1.3	370
220	5×11	2.1	200	6.3×11	1.8	240	6.3×11	1.5	264	8×11.5	1.2	349	10×12.5	1.1	443	10×12.5	0.91	443	10×16	0.75	470	12.5×20	0.60	620
330	6.3×11	1.4	270	6.3×11	1.2	290	8×11.5	1.0	383	10×12.5	0.81	510	10×12.5	0.70	542	10×16	0.60	595	10×20	0.50	710	12.5×25	0.40	760
470	6.3×11	0.99	322	8×11.5	0.85	417	8×11.5	0.71	457	10×12.5	0.57	545	10×16	0.49	664	12.5×20	0.42	887	12.5×20	0.35	900	16×25	0.28	1000
1000	8×11.5	0.47	546	10×12.5	0.40	650	10×16	0.33	791	10×20	0.27	996	12.5×20	0.23	1210	12.5×25	0.20	1400	16×25	0.17	1300	18×40	0.13	1380
2200	10×20	0.23	1010	10×20	0.20	1080	12.5×20	0.17	1350	12.5×25	0.14	1660	16×25	0.12	1950	16×35.5	0.11	2340	—	—	—	—	—	—
3300	10×20	0.16	1230	12.5×20	0.14	1430	12.5×25	0.12	1690	16×25	0.10	2030	16×35.5	0.090	2510	18×35.5	0.080	2810	—	—	—	—	—	—
4700	12.5×20	0.12	1710	12.5×25	0.11	1780	16×25	0.092	2100	16×31.5	0.078	2650	18×35.5	0.071	2990	—	—	—	—	—	—	—	—	—
6800	12.5×25	0.093	1930	16×25	0.083	2200	16×35.5	0.073	2580	18×35.5	0.063	3290	—	—	—	—	—	—	—	—	—	—	—	—
10000	16×25	0.076	2450	16×35.5	0.070	2700	18×35.5	0.063	3130	—	—	—	—	—	—	—	—	—	—	—	—	—	—	—
15000	16×35.5	0.062	2860	18×35.5	0.058	3100	—	—	—	—	—	—	—	—	—	—	—	—	—	—	—	—	—	—
22000	18×40	0.053	3340	—	—	—	—	—	—	—	—	—	—	—	—	—	—	—	—	—	—	—	—	—

Rated voltage (V) Rated capacitance (μF) Item	160			200			250			315			350			400			450					
	Case	ESR (Ω)	Rated ripple current (mA rms)	Case	ESR (Ω)	Rated ripple current (mA rms)	Case	ESR (Ω)	Rated ripple current (mA rms)	Case	ESR (Ω)	Rated ripple current (mA rms)	Case	ESR (Ω)	Rated ripple current (mA rms)	Case	ESR (Ω)	Rated ripple current (mA rms)	Case	ESR (Ω)	Rated ripple current (mA rms)			
	φD×L (mm)			φD×L (mm)			φD×L (mm)			φD×L (mm)			φD×L (mm)			φD×L (mm)			φD×L (mm)					
0.47	6.3×11	706	15	6.3×11	706	15	6.3×11	706	15	6.3×11	847	15	6.3×11	847	15	6.3×11	847	15	8×11.5	847	18			
1	6.3×11	332	22	6.3×11	332	22	6.3×11	332	22	6.3×11	398	22	6.3×11	398	22	6.3×11	398	22	8×11.5	398	25			
2.2	6.3×11	151	32	6.3×11	151	32	6.3×11	151	32	8×11.5	181	38	8×11.5	181	38	8×11.5	181	38	10×12.5	181	43			
3.3	6.3×11	101	40	6.3×11	101	40	8×11.5	101	48	10×12.5	121	53	10×12.5	121	53	10×12.5	121	54	10×16	121	59			
4.7	6.3×11	70.6	48	8×11.5	70.6	56	8×11.5	70.6	56	10×12.5	84.7	65	10×12.5	84.7	65	10×16	84.7	71	10×20	84.7	76			
10	8×11.5	33.2	81	10×12.5	33.2	94	10×16	33.2	101	10×20	39.8	115	10×20	39.8	115	12.5×20	39.8	123	12.5×20	39.8	123			
22	10×16	15.1	151	10×20	15.1	170	12.5×20	15.1	182	12.5×20	18.1	182	12.5×25	18.1	197	12.5×25	18.1	197	16×25	18.1	226			
33	10×20	10.1	202	12.5×20	10.1	223	12.5×25	10.1	243	16×25	12.1	277	16×25	12.1	277	16×25	12.1	277	16×31.5	12.1	304			
47	12.5×20	7.06	266	12.5×25	7.06	265	12.5×25	7.06	295	16×25	8.47	330	16×25	8.47	330	16×31.5	8.47	361	16×35.5	8.47	380			
100	12.5×25	3.32	422	16×25	3.32	483	16×31.5	3.32	528	18×31.5	3.98	567	18×31.5	3.98	567	—	—	—	—	—	—	—	—	
220	16×31.5	1.51	783	18×35.5	1.51	882	—	—	—	—	—	—	—	—	—	—	—	—	—	—	—	—	—	
330	18×35.5	1.01	1080	—	—	—	—	—	—	—	—	—	—	—	—	—	—	—	—	—	—	—	—	—

(Note) Rated ripple current : 85°C, 120Hz ; ESR : 20°C, 120Hz

Standard Bipolar Capacitors

GREEN CAP Anti-cleaning solvent

• Guarantees 2000 hours at 85°C.



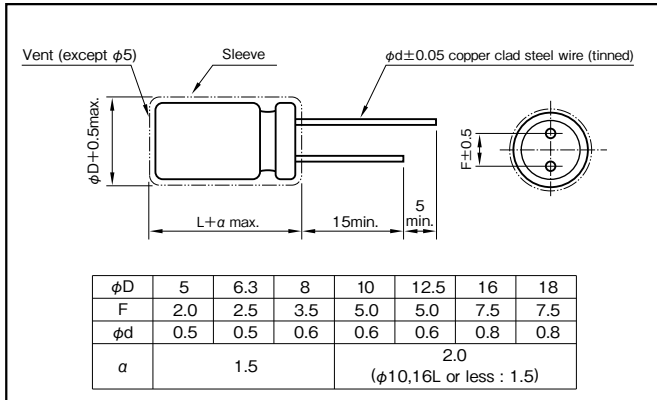
Marking color : White print on a blue sleeve

Specifications

Item	Performance									
Category temperature range (°C)	-40 to +85									
Tolerance at rated capacitance (%)	±20 (20°C, 120Hz)									
Leakage current (µA)	Less than 0.03CV + 3 (after 5 minutes) C : Rated capacitance (µF) ; V : Rated voltage (V) (20°C)									
Tangent of loss angle (tanδ)	Rated voltage (V)		6.3	10	16	25	35	50	63	100
	tan δ (max.)		0.24	0.24	0.20	0.20	0.16	0.14	0.12	0.10
0.02 is added to every 1000µF increase over 1000µF (20°C, 120Hz)										
Characteristics at high and low temperature	Rated voltage (V)		6.3	10	16	25	35	50	63	100
	Impedance ratio (max.)	Z-25°C/Z+20°C	4	3	2	2	2	2	2	2
		Z-40°C/Z+20°C	10	8	6	4	3	3	3	3
0.5 for -25°C, 1 for -40°C are added to every 1000µF increase over 1000µF (120Hz)										
Endurance (85°C) (Applied ripple current)	Test time		2000 hours (with the polarity inverted every 250 hours)							
	Leakage current		The initial specified value or less							
	Percentage of capacitance change		Within ±20% of initial value							
	Tangent of the loss angle		150% or less of the initial specified value							
Shelf life (85°C)	Test time : 1000 hours. Other have same as endurance. Voltage application treatment									
Applicable standards	JIS C5101-1, -4 1998 (IEC 60384-1 1992, -4 1985)									

Outline Drawing

Unit : mm



Coefficient of Frequency for Rated Ripple Current

Rated voltage (V) \ Frequency (Hz)	50 · 60	120	1k	10k · 100k
6.3 to 16	0.8	1	1.1	1.2
25 to 35	0.8	1	1.5	1.7
50 to 100	0.8	1	1.6	1.9

Part numbering system (example : 10V1000µF)

R2B	—	10	V	102	M	I5	#	—	□
Series code		Rated voltage symbol		Rated capacitance symbol	Capacitance tolerance symbol	Casing symbol			Taping/Forming symbol

Casing symbol

Case φD×L (mm)	Casing Symbol	Case φD×L (mm)	Casing Symbol	Case φD×L (mm)	Casing Symbol	Case φD×L (mm)	Casing Symbol
5×11	E3	10×12.5	H3	12.5×20	I5	16×31.5	J7
6.3×11	F3	10×16	H4	12.5×25	I6	16×35.5	J8
8×11.5	G3	10×20	H5	16×25	J6	18×35.5	K8

Standard Ratings

Rated capacitance (µF)	6.3		10		16		25		35		50		63		100	
	Case φD×L (mm)	Rated ripple current (mA rms)	Case φD×L (mm)	Rated ripple current (mA rms)	Case φD×L (mm)	Rated ripple current (mA rms)	Case φD×L (mm)	Rated ripple current (mA rms)	Case φD×L (mm)	Rated ripple current (mA rms)	Case φD×L (mm)	Rated ripple current (mA rms)	Case φD×L (mm)	Rated ripple current (mA rms)	Case φD×L (mm)	Rated ripple current (mA rms)
1	—	—	—	—	—	—	—	—	—	—	5×11	14	—	—	5×11	16
2.2	—	—	—	—	—	—	—	—	—	—	5×11	21	5×11	23	5×11	24
3.3	—	—	—	—	—	—	—	—	—	—	5×11	26	5×11	28	6.3×11	34
4.7	—	—	—	—	—	—	5×11	28	5×11	28	5×11	31	5×11	34	6.3×11	41
10	—	—	—	—	5×11	39	5×11	40	5×11	42	5×11	45	6.3×11	57	8×11.5	70
22	—	—	5×11	52	5×11	58	5×11	60	6.3×11	71	6.3×11	77	8×11.5	89	10×16	136
33	5×11	58	5×11	63	5×11	71	6.3×11	84	6.3×11	87	8×11.5	111	10×12.5	144	10×20	181
47	5×11	69	5×11	75	6.3×11	97	6.3×11	100	8×11.5	122	10×12.5	157	10×16	188	12.5×20	248
100	6.3×11	115	6.3×11	126	8×11.5	167	10×12.5	204	10×12.5	212	10×20	273	12.5×20	343	16×25	458
220	8×11.5	202	8×11.5	221	10×12.5	294	10×16	332	10×20	375	12.5×25	506	16×25	645	18×35.5	837
330	8×11.5	247	10×12.5	322	10×16	394	10×20	444	12.5×20	526	12.5×25	620	—	—	—	—
470	10×12.5	350	10×16	420	10×20	513	12.5×20	607	12.5×25	685	16×25	861	—	—	—	—
1000	10×20	611	12.5×20	767	12.5×25	935	16×25	1120	16×31.5	1270	—	—	—	—	—	—
2200	12.5×25	1090	16×25	1380	16×31.5	1660	—	—	—	—	—	—	—	—	—	—
3300	16×25	1490	16×31.5	1760	—	—	—	—	—	—	—	—	—	—	—	—
4700	16×31.5	1880	18×35.5	2280	—	—	—	—	—	—	—	—	—	—	—	—

(Note) Rated ripple current : 85°C, 120Hz

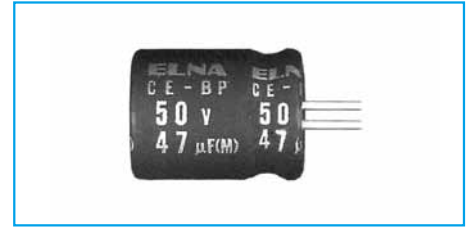
105°C Bipolar Capacitors

GREEN CAP Anti-cleaning solvent

• Guarantees 2000 hours at 105°C.



High temperature



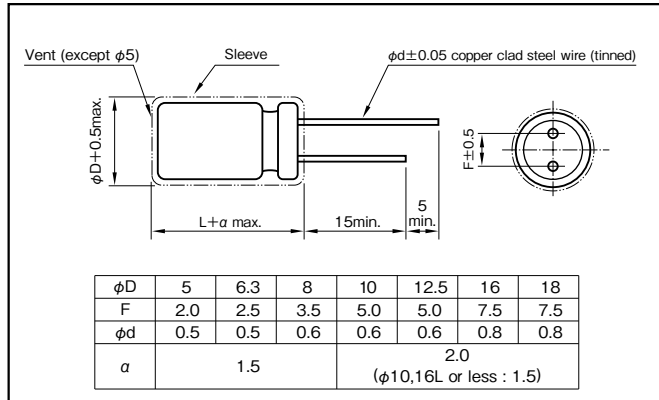
Marking color : White print on a black sleeve

Specifications

Item	Performance						
Category temperature range (°C)	-40 to +105						
Tolerance at rated capacitance (%)	±20 (20°C,120Hz)						
Leakage current (µA)	Less than 0.03CV + 3 (after 5 minutes) C : Rated capacitance (µF) ; V : Rated voltage (V) (20°C)						
Tangent of loss angle (tanδ)	Rated voltage (V)	6.3	10	16	25	35	50
	tan δ (max.)	0.4	0.3	0.2	0.2	0.16	0.14
0.02 is added to every 1000µF increase over 1000µF (20°C,120Hz)							
Characteristics at high and low temperature	Rated voltage (V)	6.3	10	16	25	35	50
	Impedance ratio (max.)	Z-25°C/Z+20°C	5	4	3	2	2
0.5 for -25°C, 1 for -40°C are added to every 1000µF increase over 1000µF (120Hz)							
Endurance (105°C) (Applied ripple current)	Test time	2000 hours (φ5 to φ8 : 1000 hours) with the polarity inverted every 250 hours					
	Leakage current	The initial specified value or less					
	Percentage of capacitance change	Within ±20% of initial value					
	Tangent of the loss angle	200% or less of the initial specified value					
Shelf life (105°C)	Test time : 1000 hours. Other have same as endurance. Voltage application treatment						
Applicable standards	JIS C5101-1, -4 1998 (IEC 60384-1 1992, -4 1985)						

Outline Drawing

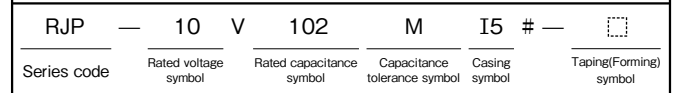
Unit : mm



Coefficient of Frequency for Rated Ripple Current

Rated voltage (V) \ Frequency (Hz)	50 · 60	120	1k	10k · 100k
6.3 to 16	0.8	1	1.1	1.2
25 to 35	0.8	1	1.5	1.7
50	0.8	1	1.6	1.9

Part numbering system (example : 10V1000µF)



Casing symbol

Case φD×L (mm)	Casing Symbol	Case φD×L (mm)	Casing Symbol	Case φD×L (mm)	Casing Symbol	Case φD×L (mm)	Casing Symbol
5×11	E3	10×12.5	H3	12.5×20	I5	16×31.5	J7
6.3×11	F3	10×16	H4	12.5×25	J6	18×35.5	K8
8×11.5	G3	10×20	H5	16×25			

Standard Ratings

Rated capacitance (µF) \ Rated voltage (V)	6.3		10		16		25		35		50	
	Case φD×L (mm)	Rated ripple current (mA rms)	Case φD×L (mm)	Rated ripple current (mA rms)	Case φD×L (mm)	Rated ripple current (mA rms)	Case φD×L (mm)	Rated ripple current (mA rms)	Case φD×L (mm)	Rated ripple current (mA rms)	Case φD×L (mm)	Rated ripple current (mA rms)
1	—	—	—	—	—	—	—	—	—	—	5×11	12
2.2	—	—	—	—	—	—	—	—	—	—	5×11	18
3.3	—	—	—	—	—	—	—	—	—	—	5×11	22
4.7	—	—	—	—	—	—	—	—	5×11	25	5×11	22
10	—	—	—	—	5×11	30	5×11	34	5×11	30	6.3×11	37
22	—	—	5×11	42	5×11	40	6.3×11	55	6.3×11	51	8×11.5	63
33	5×11	46	5×11	45	5×11	49	6.3×11	56	8×11.5	72	8×11.5	77
47	5×11	54	5×11	54	6.3×11	67	6.3×11	67	8×11.5	86	10×12.5	105
100	6.3×11	90	6.3×11	96	8×11.5	110	8×11.5	110	10×16	160	10×20	190
220	8×11.5	150	8×11.5	150	10×12.5	195	10×16	215	12.5×20	290	12.5×25	340
330	8×11.5	185	10×16	240	10×16	265	12.5×20	320	12.5×20	350	16×25	460
470	10×12.5	260	10×16	290	10×20	345	12.5×20	380	12.5×25	465	16×31.5	590
1000	10×20	460	12.5×20	510	12.5×25	605	16×25	670	16×31.5	805	—	—
2200	12.5×25	820	16×25	910	16×31.5	1070	18×35.5	1140	—	—	—	—
3300	16×25	1110	16×31.5	1200	18×35.5	1400	—	—	—	—	—	—
4700	16×31.5	1430	18×35.5	1520	—	—	—	—	—	—	—	—
6800	18×35.5	1830	—	—	—	—	—	—	—	—	—	—

(Note) Rated ripple current : 105°C , 120Hz

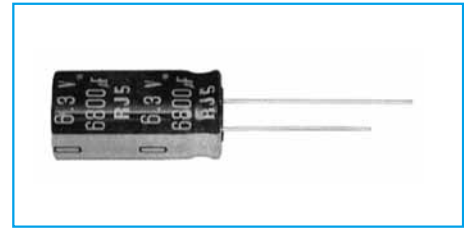
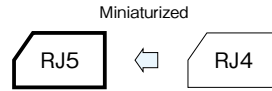
105°C Miniature Capacitors

GREEN CAP

105°C
1000hours

Anti-cleaning solvent
250V Max.

• Case size is one rank smaller than Series RJ4.



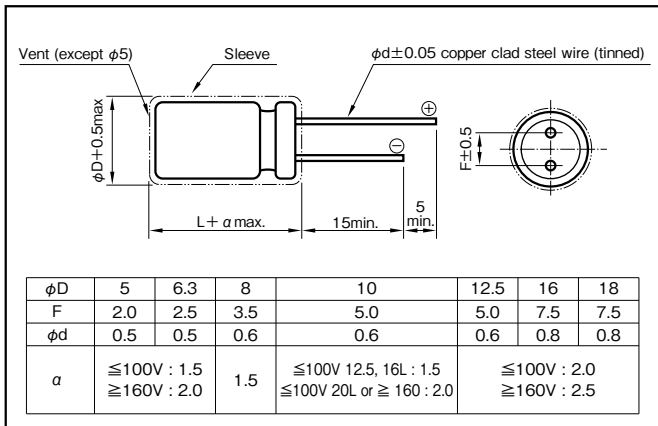
Marking color : White print on a black sleeve

Specifications

Item	Performance																																																							
Category temperature range (°C)	-55~+105	-40~+105																																																						
Rated voltage (V)	6.3~100	160~450																																																						
Tolerance at rated capacitance (%)	±20 (20°C, 120Hz)																																																							
Leakage current (µA)	Less than 0.03CV or 4 whichever is larger (after 1 minute) Less than 0.01CV or 3 whichever is larger (after 2 minutes)																																																							
	CV ≤ 1000 : Less than 0.1CV+40 (after 1 minute) CV > 1000 : Less than 0.04CV+100 (after 1 minute)																																																							
C : Rated capacitance (µF) ; V : Rated voltage (V) (20°C)																																																								
Tangent of loss angle (tanδ)	<table border="1"> <tr> <th>Rated voltage (V)</th> <td>6.3</td><td>10</td><td>16</td><td>25</td><td>35</td><td>50</td><td>63</td><td>100</td><td>160</td><td>200</td><td>250</td><td>315</td><td>350</td><td>400</td><td>450</td> </tr> <tr> <th>tan δ (max.)</th> <td>0.34</td><td>0.26</td><td>0.20</td><td>0.16</td><td>0.14</td><td>0.12</td><td>0.10</td><td>0.08</td><td>0.20</td><td>0.20</td><td>0.20</td><td>0.24</td><td>0.24</td><td>0.24</td><td>0.24</td> </tr> </table>																Rated voltage (V)	6.3	10	16	25	35	50	63	100	160	200	250	315	350	400	450	tan δ (max.)	0.34	0.26	0.20	0.16	0.14	0.12	0.10	0.08	0.20	0.20	0.20	0.24	0.24	0.24	0.24								
	Rated voltage (V)	6.3	10	16	25	35	50	63	100	160	200	250	315	350	400	450																																								
tan δ (max.)	0.34	0.26	0.20	0.16	0.14	0.12	0.10	0.08	0.20	0.20	0.20	0.24	0.24	0.24	0.24																																									
0.02 is added to every 1000µF increase over 1000µF. (20°C, 120Hz)																																																								
Characteristics at high and low temperature	<table border="1"> <tr> <th>Rated voltage (V)</th> <td>6.3</td><td>10</td><td>16</td><td>25</td><td>35</td><td>50</td><td>63</td><td>100</td><td colspan="2">160 to 250</td><td colspan="2">315 to 450</td> </tr> <tr> <th rowspan="2">Impedance ratio (max.)</th> <td colspan="2">Z-25°C/Z+20°C</td> <td>5</td><td>4</td><td>3</td><td>2</td><td>2</td><td>2</td><td>2</td><td colspan="2">4</td><td colspan="2">4</td> </tr> <tr> <td colspan="2">Z-40°C/Z+20°C</td> <td>10</td><td>8</td><td>6</td><td>4</td><td>3</td><td>3</td><td>3</td><td colspan="2">15</td><td colspan="2">10</td> </tr> </table>																Rated voltage (V)	6.3	10	16	25	35	50	63	100	160 to 250		315 to 450		Impedance ratio (max.)	Z-25°C/Z+20°C		5	4	3	2	2	2	2	4		4		Z-40°C/Z+20°C		10	8	6	4	3	3	3	15		10	
	Rated voltage (V)	6.3	10	16	25	35	50	63	100	160 to 250		315 to 450																																												
Impedance ratio (max.)	Z-25°C/Z+20°C		5	4	3	2	2	2	2	4		4																																												
	Z-40°C/Z+20°C		10	8	6	4	3	3	3	15		10																																												
(120Hz)																																																								
Endurance (105°C) (Applied ripple current)	Test time								2000 hours (φ5 to φ8, 100V or less : 1000 hours)																																															
	Leakage current								The initial specified value or less																																															
	Percentage of capacitance change								Within ±20% of initial value																																															
	Tangent of the loss angle								200% or less of the initial specified value																																															
Shelf life (105°C)	Test time : 1000 hours ; other items are the same as those for the endurance. Voltage application treatment : According to JIS C5101 -1																																																							
Applicable standards	JIS C5101-1, -4 1998 (IEC 60384-1 1992, -4 1985)																																																							

Outline Drawing

Unit : mm



Coefficient of Frequency for Rated Ripple Current

Rated voltage (V)	Rated capacitance (µF)	Frequency (Hz)				
		50 · 60	120	1k	10k	100k
6.3 to 100	1 to 47	0.8	1	1.5	1.7	2.0
	100 to 220	0.8	1	1.2	1.3	1.4
	330 to 1000	0.8	1	1.2	1.2	1.3
	2200 to 22000	0.8	1	1.1	1.1	1.1
160 to 450	1 to 470	0.8	1	1.3	1.4	1.6

Part numbering system (example : 10V1000µF)

RJ5	—	10	V	102	M	H3	#	□	—	□
Series code		Rated voltage symbol		Rated capacitance symbol	Capacitance tolerance symbol	Casing symbol	Optional symbol			Taping/Forming symbol

In the case of 160V or beyond, should put in optional symbol "B".

Casing symbol

Size φD×L (mm)	Casing Symbol	Size φD×L (mm)	Casing Symbol	Size φD×L (mm)	Casing Symbol	Size φD×L (mm)	Casing Symbol
5×11	E3	10×12.5	H3	16×20	J5	18×20	K5
6.3×11	F3	10×16	H4	16×25	J6	18×25	K6
8×11.5	G3	10×20	H5	16×31.5	J7	18×31.5	K7
—	—	12.5×20	I5	16×35.5	J8	18×35.5	K8
—	—	12.5×25	I6	—	—	18×40	K9

Standard Ratings

Rated voltage (V)	6.3		10		16		25		35		50		63		100		
	Item	Case	Rated ripple current	Case	Rated ripple current	Case	Rated ripple current	Case	Rated ripple current	Case	Rated ripple current	Case	Rated ripple current	Case	Rated ripple current	Case	Rated ripple current
		Rated capacitance (μF)	φD×L (mm)	mArms	φD×L (mm)	mArms	φD×L (mm)	mArms	φD×L (mm)	mArms	φD×L (mm)	mArms	φD×L (mm)	mArms	φD×L (mm)	mArms	φD×L (mm)
1	—	—	—	—	—	—	—	—	—	—	—	5×11	15	—	—	5×11	15
2.2	—	—	—	—	—	—	—	—	—	—	—	5×11	22	—	—	5×11	21
3.3	—	—	—	—	—	—	—	—	—	—	—	5×11	27	—	—	5×11	29
4.7	—	—	—	—	—	—	—	—	—	—	—	5×11	32	—	—	5×11	32
10	—	—	—	—	—	—	—	—	—	—	—	5×11	47	—	—	5×11	50
22	—	—	—	—	—	—	—	—	—	—	—	5×11	70	5×11	71	6.3×11	93
33	—	—	—	—	—	—	—	—	—	—	—	5×11	90	6.3×11	100	8×11.5	130
47	—	—	—	—	—	—	—	—	—	5×11	93	6.3×11	115	6.3×11	120	8×11.5	140
68	—	—	—	—	—	—	—	—	—	6.3×11	110	6.3×11	150	8×11.5	155	10×12.5	190
100	—	—	—	—	—	—	5×11	125	6.3×11	151	8×11.5	190	8×11.5	200	10×16	240	
220	—	—	5×11	155	6.3×11	190	6.3×11	200	8×11.5	270	10×12.5	314	10×16	335	12.5×20	390	
330	—	—	6.3×11	210	6.3×11	225	8×11.5	310	10×12.5	384	10×16	421	10×20	510	—	—	
470	—	—	6.3×11	250	8×11.5	323	10×12.5	429	10×16	470	10×20	540	12.5×20	640	16×25	715	
1000	8×11.5	398	10×12.5	460	10×12.5	500	10×16	610	12.5×20	857	12.5×25	1000	16×25	930	18×35.5	960	
2200	10×16	635	10×16	705	10×20	710	12.5×25	1180	16×25	1380	16×31.5	1410	18×35.5	1650	—	—	
3300	10×20	882	12.5×20	1010	12.5×25	1200	16×25	1440	16×31.5	1500	18×35.5	1990	—	—	—	—	
4700	12.5×20	1120	12.5×25	1260	16×25	1500	16×25	1570	16×35.5	1780	—	—	—	—	—	—	
6800	12.5×25	1380	16×25	1570	16×25	1600	16×35.5	1850	18×40	2000	—	—	—	—	—	—	
10000	16×25	1750	16×31.5	1820	16×35.5	1930	18×40	2000	—	—	—	—	—	—	—	—	
15000	16×31.5	1820	16×35.5	2050	18×40	2210	—	—	—	—	—	—	—	—	—	—	
22000	18×35.5	2280	18×40	2420	—	—	—	—	—	—	—	—	—	—	—	—	

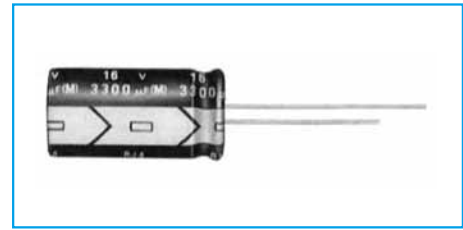
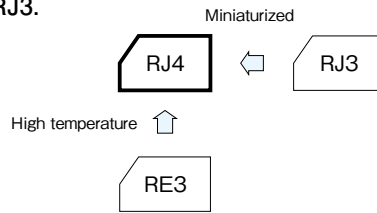
Rated voltage (V)	160		200		250		315		350		400		450		
	Item	Case	Rated ripple current	Case	Rated ripple current	Case	Rated ripple current	Case	Rated ripple current	Case	Rated ripple current	Case	Rated ripple current	Case	Rated ripple current
		Rated capacitance (μF)	φD×L (mm)	(mArms)	φD×L (mm)	(mArms)	φD×L (mm)	(mArms)	φD×L (mm)	(mArms)	φD×L (mm)	(mArms)	φD×L (mm)	(mArms)	φD×L (mm)
1	—	—	—	—	—	—	—	—	—	—	—	—	6.3×11	12	
2.2	—	—	—	—	—	—	6.3×11	21	6.3×11	21	—	—	8×11.5	20	
3.3	—	—	—	—	6.3×11	35	6.3×11	26	6.3×11	26	—	—	10×12.5	41	
4.7	—	—	6.3×11	42	6.3×11	42	8×11.5	35	8×11.5	35	8×11.5	35	10×12.5	49	
10	6.3×11	61	8×11.5	72	8×11.5	72	10×16	74	10×16	67	10×16	67	10×20	86	
22	10×12.5	125	10×16	135	10×16	135	12.5×20	135	12.5×20	140	12.5×20	140	12.5×25	170	
33	10×16	170	10×20	185	12.5×20	210	12.5×25	195	12.5×25	195	12.5×25	195	16×20	225	
47	10×20	220	—	—	12.5×20	250	—	—	—	—	16×25	350	16×25	296	
68	12.5×25	330	12.5×20	305	16×20	355	18×20	350	16×31.5	390	16×31.5	460	16×31.5	390	
100	16×20	430	12.5×25	400	16×25	465	16×35.5	500	16×35.5	500	18×25	380	18×25	380	
120	16×25	510	16×20	430	18×20	465	18×25	460	18×25	460	18×31.5	505	18×35.5	540	
150	16×25	570	16×25	510	16×31.5	560	18×31.5	560	18×31.5	560	18×35.5	588	18×40	615	
180	18×25	675	16×25	510	16×35.5	655	18×35.5	648	18×35.5	648	18×40	688	—	—	
220	18×25	745	18×20	510	18×25	615	18×25	615	18×40	750	—	—	—	—	
330	—	—	16×31.5	685	18×31.5	735	18×40	750	—	—	—	—	—	—	
470	18×25	745	18×25	675	16×35.5	790	18×35.5	855	—	—	—	—	—	—	
470	18×40	1300	18×31.5	810	—	—	—	—	—	—	—	—	—	—	

(Note) Rated ripple current : 105° C, 120Hz ; ESR. : 20° C, 120Hz

105°C Miniature Capacitors

GREEN CAP **105°C 2000hours** **Anti-cleaning solvent 250V Max.**

- Case size is one rank smaller than Series RJ3.
- Guarantees 2000 hours at 105°C. (φ5 to φ8 : 1000 hours)



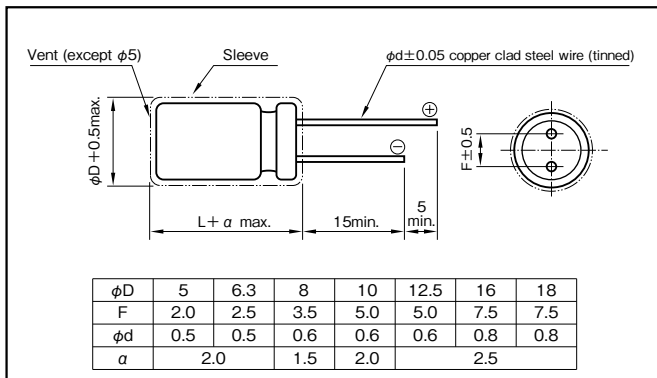
Marking color : White print on a black sleeve

Specifications

Item	Performance																																	
Category temperature range (°C)	-55 to +105	-40 to +105																																
Rated voltage (V)	6.3 to 100	160 to 450																																
Tolerance at rated capacitance (%)	±20 (20°C, 120Hz)																																	
Leakage current (µA)	Less than 0.03CV or 4 whichever is larger (after 1 minute) Less than 0.01CV or 3 whichever is larger (after 2 minutes)	CV ≤ 1000 : Less than 0.1CV+40 (after 1 minute) CV > 1000 : Less than 0.04CV+100 (after 1 minute)																																
	C : Rated capacitance (µF) ; V : Rated voltage (V) (20°C)																																	
Tangent of loss angle (tanδ)	<table border="1"> <thead> <tr> <th>Rated voltage (V)</th> <th>6.3</th> <th>10</th> <th>16</th> <th>25</th> <th>35</th> <th>50</th> <th>63</th> <th>100</th> <th>160</th> <th>200</th> <th>250</th> <th>315</th> <th>350</th> <th>400</th> <th>450</th> </tr> </thead> <tbody> <tr> <td>tan δ (max.)</td> <td>0.28</td> <td>0.24</td> <td>0.20</td> <td>0.16</td> <td>0.14</td> <td>0.12</td> <td>0.10</td> <td>0.08</td> <td>0.20</td> <td>0.20</td> <td>0.20</td> <td>0.24</td> <td>0.24</td> <td>0.24</td> <td>0.24</td> </tr> </tbody> </table> <p>0.02 is added to every 1000µF increase over 1000µF. (20°C, 120Hz)</p>		Rated voltage (V)	6.3	10	16	25	35	50	63	100	160	200	250	315	350	400	450	tan δ (max.)	0.28	0.24	0.20	0.16	0.14	0.12	0.10	0.08	0.20	0.20	0.20	0.24	0.24	0.24	0.24
Rated voltage (V)	6.3	10	16	25	35	50	63	100	160	200	250	315	350	400	450																			
tan δ (max.)	0.28	0.24	0.20	0.16	0.14	0.12	0.10	0.08	0.20	0.20	0.20	0.24	0.24	0.24	0.24																			
Characteristics at high and low temperature	<table border="1"> <thead> <tr> <th>Rated voltage (V)</th> <th>6.3</th> <th>10</th> <th>16</th> <th>25</th> <th>35</th> <th>50</th> <th>63</th> <th>100</th> <th>160 to 250</th> <th>315 to 450</th> </tr> </thead> <tbody> <tr> <td rowspan="2">Impedance ratio (max.)</td> <td>Z-25°C/Z+20°C</td> <td>5</td> <td>4</td> <td>3</td> <td>2</td> <td>2</td> <td>2</td> <td>2</td> <td>4</td> <td>4</td> </tr> <tr> <td>Z-40°C/Z+20°C</td> <td>10</td> <td>8</td> <td>6</td> <td>4</td> <td>3</td> <td>3</td> <td>3</td> <td>15</td> <td>10</td> </tr> </tbody> </table> <p>(120Hz)</p>		Rated voltage (V)	6.3	10	16	25	35	50	63	100	160 to 250	315 to 450	Impedance ratio (max.)	Z-25°C/Z+20°C	5	4	3	2	2	2	2	4	4	Z-40°C/Z+20°C	10	8	6	4	3	3	3	15	10
Rated voltage (V)	6.3	10	16	25	35	50	63	100	160 to 250	315 to 450																								
Impedance ratio (max.)	Z-25°C/Z+20°C	5	4	3	2	2	2	2	4	4																								
	Z-40°C/Z+20°C	10	8	6	4	3	3	3	15	10																								
Endurance (105°C) (Applied ripple current)	<table border="1"> <thead> <tr> <th>Test time</th> <td>2000 hours (φ5 to φ8 : 1000 hours)</td> </tr> <tr> <th>Leakage current</th> <td>The initial specified value or less</td> </tr> <tr> <th>Percentage of capacitance change</th> <td>Within ±20% of initial value</td> </tr> <tr> <th>Tangent of the loss angle</th> <td>200% or less of the initial specified value</td> </tr> </thead> </table>		Test time	2000 hours (φ5 to φ8 : 1000 hours)	Leakage current	The initial specified value or less	Percentage of capacitance change	Within ±20% of initial value	Tangent of the loss angle	200% or less of the initial specified value																								
Test time	2000 hours (φ5 to φ8 : 1000 hours)																																	
Leakage current	The initial specified value or less																																	
Percentage of capacitance change	Within ±20% of initial value																																	
Tangent of the loss angle	200% or less of the initial specified value																																	
Shelf life (105°C)	Test time : 1000 hours ; other items are the same as those for the endurance. Voltage application treatment																																	
Applicable standards	JIS C5101-1, -4 1998 (IEC 60384-1 1992, -4 1985)																																	

Outline Drawing

Unit : mm



Coefficient of Frequency for Rated Ripple Current

Rated voltage (V)	Rated capacitance (µF)	Frequency (Hz)				
		50 · 60	120	1k	10k	100k
6.3 to 100	1 to 47	0.8	1	1.5	1.7	2.0
	100 to 220	0.8	1	1.2	1.3	1.4
	330 to 1000	0.8	1	1.2	1.2	1.3
	2200 to 22000	0.8	1	1.1	1.1	1.1
160 to 450	1 to 330	0.8	1	1.3	1.4	1.6

Part numbering system (example : 16V2200µF)

RJ4	—	16	V	222	M	I5	#	□	—	□
Series code		Rated voltage symbol		Rated capacitance symbol	Capacitance tolerance symbol	Casing symbol	Optional symbol			Taping/Forming symbol

Casing symbol

Size φD×L (mm)	Casing Symbol	Size φD×L (mm)	Casing Symbol
5×11	E3	12.5×25	I6
6.3×11	F3	16×25	J6
8×11.5	G3	16×31.5	J7
10×12.5	H3	16×35.5	J8
10×16	H4	18×31.5	K7
10×20	H5	18×35.5	K8
12.5×20	I5	18×40	K9

Standard Ratings

Rated voltage (V)	Item	6.3			10			16			25			35			50			63			100		
		Case	ESR	Rated ripple current	Case	ESR	Rated ripple current	Case	ESR	Rated ripple current	Case	ESR	Rated ripple current	Case	ESR	Rated ripple current	Case	ESR	Rated ripple current	Case	ESR	Rated ripple current	Case	ESR	Rated ripple current
		φD×L (mm)	(Ω)	(mA _{rms})	φD×L (mm)	(Ω)	(mA _{rms})	φD×L (mm)	(Ω)	(mA _{rms})	φD×L (mm)	(Ω)	(mA _{rms})	φD×L (mm)	(Ω)	(mA _{rms})	φD×L (mm)	(Ω)	(mA _{rms})	φD×L (mm)	(Ω)	(mA _{rms})	φD×L (mm)	(Ω)	(mA _{rms})
1	—	—	—	—	—	—	—	—	—	—	—	—	—	—	—	5×11	199	15	—	—	—	5×11	133	15	
2.2	—	—	—	—	—	—	—	—	—	—	—	—	—	—	—	5×11	90.5	22	—	—	—	5×11	60.3	21	
3.3	—	—	—	—	—	—	—	—	—	—	—	—	—	—	—	5×11	60.3	27	—	—	—	5×11	40.2	29	
4.7	—	—	—	—	—	—	—	—	—	5×11	56.5	27	5×11	49.4	30	5×11	42.4	32	—	—	—	5×11	28.2	32	
10	—	—	—	—	—	—	5×11	33.2	37	5×11	26.5	39	5×11	23.2	43	5×11	19.9	47	5×11	16.6	46	6.3×11	13.3	54	
22	—	—	—	—	—	—	5×11	15.1	54	5×11	12.1	58	5×11	10.6	64	5×11	9.05	70	5×11	7.54	71	6.3×11	6.03	93	
33	—	—	—	—	—	—	5×11	10.1	67	5×11	8.04	71	5×11	7.04	78	5×11	6.03	90	6.3×11	5.03	100	8×11.5	4.02	130	
47	—	—	—	5×11	8.47	72	5×11	7.06	79	5×11	5.65	84	5×11	4.94	90	6.3×11	4.24	115	6.3×11	3.53	120	10×12.5	2.82	165	
100	—	—	—	5×11	3.98	105	5×11	3.32	115	6.3×11	2.65	141	6.3×11	2.32	151	8×11.5	1.99	190	10×12.5	1.66	215	10×20	1.33	265	
220	5×11	2.11	140	6.3×11	1.81	166	6.3×11	1.51	190	8×11.5	1.21	247	10×12.5	1.06	314	10×12.5	0.91	314	10×16	0.75	335	12.5×25	0.60	440	
330	6.3×11	1.41	195	6.3×11	1.21	210	8×11.5	1.01	271	10×12.5	0.81	360	10×12.5	0.70	384	10×16	0.60	421	10×20	0.50	510	12.5×25	0.40	540	
470	6.3×11	0.99	232	8×11.5	0.85	325	8×11.5	0.71	323	10×12.5	0.57	429	10×16	0.50	470	12.5×20	0.42	628	12.5×20	0.35	640	16×25	0.28	715	
1000	8×11.5	0.47	398	10×12.5	0.40	457	10×16	0.33	560	10×20	0.27	705	12.5×20	0.23	857	12.5×25	0.20	1000	16×25	0.17	930	18×40	0.13	985	
2200	10×20	0.23	720	10×20	0.20	761	12.5×20	0.17	961	12.5×25	0.14	1180	16×25	0.12	1380	16×35.5	0.11	1660	—	—	—	—	—	—	
3300	10×20	0.16	882	12.5×20	0.14	1010	12.5×25	0.12	1200	16×25	0.10	1440	16×35.5	0.09	1780	18×35.5	0.08	1990	—	—	—	—	—	—	
4700	12.5×20	0.12	1120	12.5×25	0.11	1250	16×25	0.09	1490	16×31.5	0.08	1880	18×35.5	0.07	2120	—	—	—	—	—	—	—	—	—	
6800	12.5×25	0.09	1380	16×25	0.08	1570	16×35.5	0.07	1830	18×35.5	0.06	2330	—	—	—	—	—	—	—	—	—	—	—	—	
10000	16×25	0.07	1750	16×35.5	0.07	1910	18×35.5	0.06	2220	—	—	—	—	—	—	—	—	—	—	—	—	—	—	—	
15000	16×35.5	0.06	2040	18×35.5	0.06	2190	—	—	—	—	—	—	—	—	—	—	—	—	—	—	—	—	—	—	
22000	18×40	0.05	2390	—	—	—	—	—	—	—	—	—	—	—	—	—	—	—	—	—	—	—	—	—	

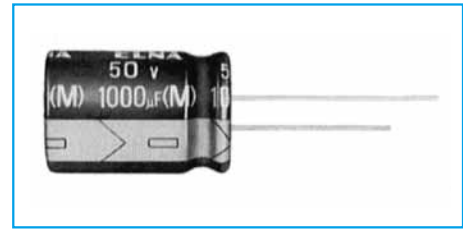
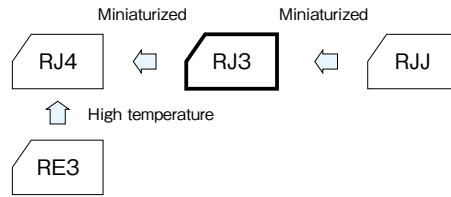
Rated voltage (V)	Item	160			200			250			315			350			400			450			
		Case	ESR	Rated ripple current	Case	ESR	Rated ripple current	Case	ESR	Rated ripple current	Case	ESR	Rated ripple current	Case	ESR	Rated ripple current	Case	ESR	Rated ripple current	Case	ESR	Rated ripple current	
		φD×L (mm)	(Ω)	(mA _{rms})	φD×L (mm)	(Ω)	(mA _{rms})	φD×L (mm)	(Ω)	(mA _{rms})	φD×L (mm)	(Ω)	(mA _{rms})	φD×L (mm)	(Ω)	(mA _{rms})	φD×L (mm)	(Ω)	(mA _{rms})	φD×L (mm)	(Ω)	(mA _{rms})	
0.47	6.3×11	706	11	6.3×11	706	11	6.3×11	706	11	6.3×11	847	11	6.3×11	847	11	6.3×11	847	11	8×11.5	847	13		
1	6.3×11	332	16	6.3×11	332	16	6.3×11	332	16	6.3×11	398	16	6.3×11	398	16	6.3×11	398	16	8×11.5	398	18		
2.2	6.3×11	151	23	6.3×11	151	23	6.3×11	151	23	8×11.5	181	27	8×11.5	181	27	8×11.5	181	27	10×12.5	181	31		
3.3	6.3×11	101	28	6.3×11	101	28	8×11.5	101	34	10×12.5	121	38	10×12.5	121	38	10×12.5	121	38	10×16	121	42		
4.7	6.3×11	70.6	34	8×11.5	70.6	40	8×11.5	70.6	40	10×12.5	84.7	45	10×12.5	84.7	45	10×16	84.7	50	10×20	84.7	54		
10	8×11.5	33.2	58	10×12.5	33.2	66	10×16	33.2	74	10×20	39.8	79	10×20	39.8	79	12.5×20	39.8	87	12.5×20	39.8	87		
22	10×16	15.1	107	10×20	15.1	120	12.5×20	15.1	130	12.5×20	18.1	129	12.5×25	18.1	140	12.5×25	18.1	140	16×25	18.1	160		
33	10×20	10.1	143	12.5×20	10.1	160	12.5×25	10.1	172	16×25	12.1	196	16×25	12.1	196	16×25	12.1	196	16×31.5	12.1	215		
47	12.5×20	7.06	188	12.5×20	7.06	188	12.5×25	7.06	205	16×25	8.47	234	16×25	8.47	234	16×31.5	8.47	256	16×35.5	8.47	269		
100	12.5×25	3.32	299	16×25	3.32	342	16×31.5	3.32	374	18×31.5	3.98	401	18×31.5	3.98	401	—	—	—	—	—	—	—	—
220	16×31.5	1.51	554	18×35.5	1.51	624	—	—	—	—	—	—	—	—	—	—	—	—	—	—	—	—	—
330	18×35.5	1.01	764	—	—	—	—	—	—	—	—	—	—	—	—	—	—	—	—	—	—	—	—

(Note) Rated ripple current : 105°C, 120Hz ; ESR. : 20°C, 120Hz

105°C Use, Standard Capacitors

GREEN CAP 105°C 2000hours Anti-cleaning solvent 250V Max.

• Guarantees 2000 hours at 105°C (φ5 to φ8 : 1000 hours).



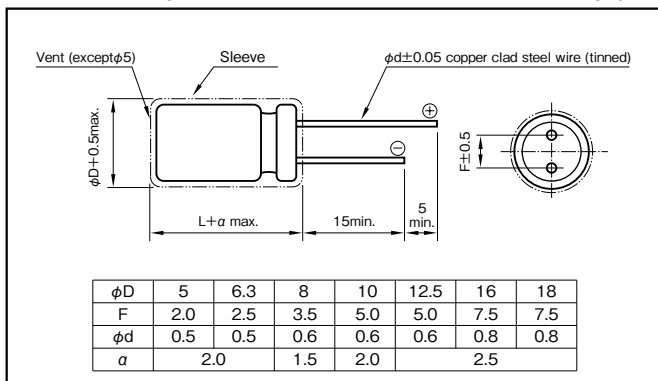
Marking color : White print on a black sleeve

Specifications

Item	Performance																																	
Category temperature range (°C)	-55 to +105	-40 to +105																																
Rated voltage (V)	6.3 to 100	160 to 400																																
Tolerance at rated capacitance (%)	±20 (20°C, 120Hz)																																	
Leakage current (μA)	Less than 0.01CV or 3 whichever is larger (after 2 minutes)	CV ≤ 1000 : Less than 0.1CV+40 (after 1 minute) CV > 1000 : Less than 0.04CV+100 (after 1 minute)																																
C : Rated capacitance (μF) ; V : Rated voltage (V) (20°C)																																		
Tangent of loss angle (tanδ)	<table border="1"> <thead> <tr> <th>Rated voltage (V)</th> <th>6.3</th> <th>10</th> <th>16</th> <th>25</th> <th>35</th> <th>50</th> <th>63</th> <th>100</th> <th>160</th> <th>200</th> <th>250</th> <th>315</th> <th>350</th> <th>400</th> </tr> </thead> <tbody> <tr> <td>tan δ (max.)</td> <td>0.22</td> <td>0.19</td> <td>0.16</td> <td>0.14</td> <td>0.12</td> <td>0.10</td> <td>0.09</td> <td>0.08</td> <td>0.15</td> <td>0.15</td> <td>0.15</td> <td>0.20</td> <td>0.20</td> <td>0.20</td> </tr> </tbody> </table> <p>0.02 is added to every 1000μF increase over 1000μF. (20°C, 120Hz)</p>		Rated voltage (V)	6.3	10	16	25	35	50	63	100	160	200	250	315	350	400	tan δ (max.)	0.22	0.19	0.16	0.14	0.12	0.10	0.09	0.08	0.15	0.15	0.15	0.20	0.20	0.20		
Rated voltage (V)	6.3	10	16	25	35	50	63	100	160	200	250	315	350	400																				
tan δ (max.)	0.22	0.19	0.16	0.14	0.12	0.10	0.09	0.08	0.15	0.15	0.15	0.20	0.20	0.20																				
Characteristics at high and low temperature	<table border="1"> <thead> <tr> <th>Rated voltage (V)</th> <th>6.3</th> <th>10</th> <th>16</th> <th>25</th> <th>35</th> <th>50</th> <th>63</th> <th>100</th> <th>160 to 250</th> <th>315 to 450</th> </tr> </thead> <tbody> <tr> <td rowspan="2">Impedance ratio (max.)</td> <td>Z=-25°C/Z+20°C</td> <td>4</td> <td>3</td> <td>2</td> <td>2</td> <td>2</td> <td>2</td> <td>2</td> <td>3</td> <td>3</td> </tr> <tr> <td>Z=-55°C/Z+20°C</td> <td>8</td> <td>6</td> <td>4</td> <td>3</td> <td>3</td> <td>3</td> <td>3</td> <td>8</td> <td>6</td> </tr> </tbody> </table> <p>(120Hz)</p>		Rated voltage (V)	6.3	10	16	25	35	50	63	100	160 to 250	315 to 450	Impedance ratio (max.)	Z=-25°C/Z+20°C	4	3	2	2	2	2	2	3	3	Z=-55°C/Z+20°C	8	6	4	3	3	3	3	8	6
Rated voltage (V)	6.3	10	16	25	35	50	63	100	160 to 250	315 to 450																								
Impedance ratio (max.)	Z=-25°C/Z+20°C	4	3	2	2	2	2	2	3	3																								
	Z=-55°C/Z+20°C	8	6	4	3	3	3	3	8	6																								
Endurance (105°C) (Applied ripple current)	<table border="1"> <thead> <tr> <th>Test time</th> <th>2000 hours (φ5 to φ8 : 1000 hours)</th> </tr> </thead> <tbody> <tr> <td>Leakage current</td> <td>The initial specified value or less</td> </tr> <tr> <td>Percentage of capacitance change</td> <td>Within ±20% of initial value</td> </tr> <tr> <td>Tangent of the loss angle</td> <td>200% or less of the initial specified value</td> </tr> </tbody> </table>		Test time	2000 hours (φ5 to φ8 : 1000 hours)	Leakage current	The initial specified value or less	Percentage of capacitance change	Within ±20% of initial value	Tangent of the loss angle	200% or less of the initial specified value																								
Test time	2000 hours (φ5 to φ8 : 1000 hours)																																	
Leakage current	The initial specified value or less																																	
Percentage of capacitance change	Within ±20% of initial value																																	
Tangent of the loss angle	200% or less of the initial specified value																																	
Shelf life (105°C)	Test time : 1000 hours; other items are the same as those for the endurance. Voltage application treatment : According to JIS C5101-1																																	
Applicable standards	JIS C5101-1, -4 1998 (IEC 60384-1 1992, -4 1985)																																	

Outline Drawing

Unit : mm



Coefficient of Frequency for Rated Ripple Current

Rated voltage (V)	Rated capacitance (μF)	Frequency (Hz)				
		50 · 60	120	1k	10k	100k
6.3 to 100	1 to 4.7	—	0.4	0.7	0.8	1
	10 to 47	—	0.5	0.8	0.9	1
	100 to 220	—	0.7	0.9	0.9	1
	330 to 1000	—	0.8	0.9	1.0	1
	2200 to 15000	—	0.9	1.0	1.0	1
160 to 400	0.47 to 220	0.8	1	1.3	1.4	1.6

Part numbering system (example : 63V1000μF)

RJ3	—	63	V	102	M	J7	#	□	—	□
Series code		Rated voltage symbol		Rated capacitance symbol	Capacitance tolerance symbol	Casing symbol	Optional symbol			Taping/Forming symbol

Casing symbol

Size φD×L (mm)	Casing Symbol	Size φD×L (mm)	Casing Symbol
5×11	E3	12.5×25	I6
6.3×11	F3	16×25	J6
8×11.5	G3	16×31.5	J7
10×12.5	H3	16×35.5	J8
10×16	H4	18×35.5	K8
10×20	H5	18×40	K9
12.5×20	I5		

Standard Ratings

Rated voltage (V)	Item	6.3				10				16				25			
		Case	ESR	Impedance	Rated ripple current	Case	ESR	Impedance	Rated ripple current	Case	ESR	Impedance	Rated ripple current	Case	ESR	Impedance	Rated ripple current
		φD×L (mm)	(Ω)	(Ω max.)	(mArms)	φD×L (mm)	(Ω)	(Ω max.)	(mArms)	φD×L (mm)	(Ω)	(Ω max.)	(mArms)	φD×L (mm)	(Ω)	(Ω max.)	(mArms)
4.7	—	—	—	—	—	—	—	—	—	—	—	—	—	—	—	—	—
10	—	—	—	—	—	—	—	—	—	5×11	26.5	2.5	92	5×11	23.2	2.5	92
22	—	—	—	—	5×11	14.3	2.5	92	5×11	12.1	1.9	105	5×11	10.6	1.9	105	
33	5×11	11.1	2.5	105	5×11	9.55	1.9	105	5×11	8.04	1.5	120	5×11	7.04	1.5	120	
47	5×11	7.77	1.5	120	5×11	6.71	1.5	120	5×11	5.65	1.2	130	5×11	4.94	1.2	130	
100	5×11	3.65	1.2	130	5×11	3.15	1.2	130	6.3×11	2.65	0.58	220	6.3×11	2.32	0.58	220	
220	6.3×11	1.66	0.87	180	6.3×11	1.43	0.58	220	8×11.5	1.21	0.47	290	8×11.5	1.06	0.39	315	
330	6.3×11	1.11	0.58	220	8×11.5	0.96	0.47	265	8×11.5	0.81	0.39	315	10×12.5	0.70	0.23	500	
470	8×11.5	0.78	0.39	315	8×11.5	0.67	0.39	315	10×12.5	0.57	0.23	500	10×16	0.50	0.18	615	
1000	10×12.5	0.37	0.23	500	10×16	0.32	0.18	615	10×20	0.27	0.12	825	12.5×20	0.23	0.090	1050	
2200	12.5×20	0.18	0.095	1000	12.5×20	0.16	0.090	1050	12.5×25	0.14	0.068	1300	16×25	0.12	0.056	1740	
3300	12.5×20	0.13	0.090	1050	12.5×25	0.12	0.068	1300	16×25	0.10	0.056	1740	16×31.5	0.09	0.045	2110	
4700	16×25	0.10	0.061	1670	16×25	0.09	0.056	1740	16×31.5	0.08	0.045	2110	18×35.5	0.07	0.036	2580	
6800	16×25	0.08	0.056	1740	16×31.5	0.07	0.045	2110	18×35.5	0.06	0.036	2580	—	—	—	—	
10000	16×31.5	0.06	0.045	2110	18×35.5	0.06	0.036	2580	—	—	—	—	—	—	—	—	
15000	18×35.5	0.05	0.036	2580	—	—	—	—	—	—	—	—	—	—	—	—	

Rated voltage (V)	Item	35				50				63				100			
		Case	ESR	Impedance	Rated ripple current	Case	ESR	Impedance	Rated ripple current	Case	ESR	Impedance	Rated ripple current	Case	ESR	Impedance	Rated ripple current
		φD×L (mm)	(Ω)	(Ω max.)	(mArms)	φD×L (mm)	(Ω)	(Ω max.)	(mArms)	φD×L (mm)	(Ω)	(Ω max.)	(mArms)	φD×L (mm)	(Ω)	(Ω max.)	(mArms)
1	—	—	—	—	5×11	166	4.9	35	—	—	—	—	5×11	133	11	45	
2.2	—	—	—	—	5×11	75.4	4.2	53	—	—	—	—	5×11	60.3	9.2	60	
3.3	—	—	—	—	5×11	50.3	3.9	65	—	—	—	—	5×11	40.2	7.2	67	
4.7	5×11	42.4	2.5	92	5×11	35.3	3.6	82	5×11	31.8	5.8	74	5×11	28.2	6.3	75	
10	5×11	19.9	1.9	105	5×11	16.6	2.7	100	5×11	14.9	3.6	95	6.3×11	13.3	3.3	110	
22	5×11	9.05	1.5	120	5×11	7.54	1.9	125	6.3×11	6.79	2.1	130	8×11.5	6.03	1.4	165	
33	5×11	6.03	1.2	130	6.3×11	5.03	1.1	195	6.3×11	4.52	1.7	160	10×12.5	4.02	0.94	305	
47	6.3×11	4.24	0.58	220	6.3×11	3.53	0.90	245	8×11.5	3.18	1.2	305	10×16	2.82	0.68	320	
100	8×11.5	1.99	0.39	315	8×11.5	1.66	0.50	385	10×12.5	1.49	0.65	395	12.5×20	1.33	0.28	585	
220	10×12.5	0.91	0.23	500	10×16	0.75	0.27	505	10×20	0.68	0.32	505	16×25	0.60	0.16	1120	
330	10×16	0.60	0.18	615	10×20	0.50	0.18	675	12.5×20	0.45	0.22	660	16×25	0.40	0.13	1290	
470	10×20	0.42	0.12	825	12.5×20	0.35	0.12	895	12.5×25	0.32	0.16	850	16×31.5	0.28	0.11	1350	
1000	12.5×25	0.20	0.068	1300	16×25	0.17	0.076	1495	16×31.5	0.15	0.098	1430	—	—	—	—	
2200	16×31.5	0.11	0.045	2110	18×35.5	0.09	0.050	2190	—	—	—	—	—	—	—	—	
3300	18×35.5	0.08	0.036	2580	—	—	—	—	—	—	—	—	—	—	—	—	

(Note) Rated ripple current : 105°C, 100kHz ; ESR. : 20°C, 120Hz ; Impedance : 20°C, 100kHz

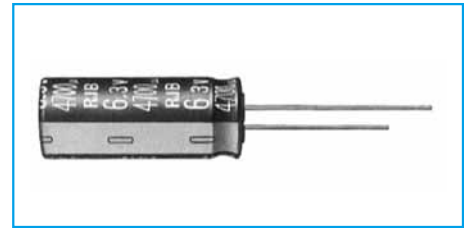
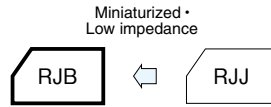
Rated voltage (V)	Item	160			200			250			315			350			400		
		Case	ESR	Rated ripple current	Case	ESR	Rated ripple current	Case	ESR	Rated ripple current	Case	ESR	Rated ripple current	Case	ESR	Rated ripple current	Case	ESR	Rated ripple current
		φD×L (mm)	(Ω)	(mArms)	φD×L (mm)	(Ω)	(mArms)	φD×L (mm)	(Ω)	(mArms)	φD×L (mm)	(Ω)	(mArms)	φD×L (mm)	(Ω)	(mArms)	φD×L (mm)	(Ω)	(mArms)
0.47	6.3×11	529	12	6.3×11	529	12	6.3×11	529	12	6.3×11	705	11	6.3×11	705	11	—	—	—	
1	6.3×11	248	18	6.3×11	248	18	6.3×11	248	18	6.3×11	331	16	6.3×11	331	18	8×11.5	331	18	
2.2	6.3×11	113	26	6.3×11	113	26	8×11.5	113	30	8×11.5	150	27	8×11.5	150	30	10×12.5	150	30	
3.3	8×11.5	75.4	37	8×11.5	75.4	37	10×12.5	75.4	43	10×12.5	100	36	10×12.5	100	36	10×16	100	40	
4.7	8×11.5	52.9	44	10×12.5	52.9	50	10×12.5	52.9	50	10×16	70.6	47	10×16	70.6	47	10×20	70.6	52	
10	10×12.5	24.9	75	10×16	24.9	80	10×20	24.9	90	10×20	33.2	75	12.5×20	33.2	79	12.5×20	33.2	79	
22	10×20	11.3	135	10×20	11.3	135	12.5×25	11.3	155	12.5×25	15.1	130	12.5×25	15.1	130	16×25	15.1	130	
33	12.5×20	7.54	175	12.5×25	7.54	190	12.5×25	7.54	190	16×25	10.1	160	16×25	10.1	160	16×31.5	10.1	175	
47	12.5×25	5.29	230	12.5×25	5.29	230	16×25	5.29	225	16×31.5	7.06	210	16×31.5	7.06	210	18×35.5	7.06	220	
100	16×25	2.49	330	16×31.5	2.49	360	18×35.5	2.49	340	18×40	3.32	335	18×40	3.32	335	—	—	—	
220	18×35.5	1.13	500	18×40	1.13	525	—	—	—	—	—	—	—	—	—	—	—	—	

(Note) Rated ripple current : 105°C, 120Hz ; ESR. : 20°C, 120Hz

105°C Use, Miniature, High-Reliability, Low Impedance Capacitors

GREEN CAP Low Impedance 105°C 5000hours Anti-cleaning solvent

- Smaller and higher ripple current than RJB Series.
- Guarantees 5000 hours at 105°C.
(ϕ 5 to 6.3 : 2000 hours ; ϕ 8 to 10 : 3000 hours)



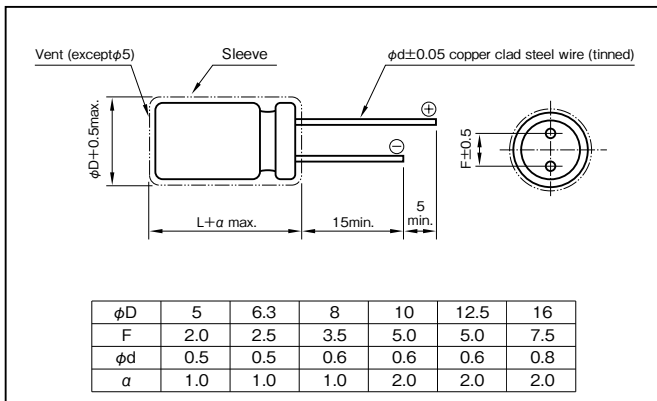
Marking color : White print on a black sleeve

Specifications

Item	Performance																		
Category temperature range (°C)	-55 to +105																		
Tolerance at rated capacitance (%)	±20 (20°C,120Hz)																		
Leakage current (μA)	Less than 0.01CV + 2 (after 2 minutes) C : Rated capacitance (μF) ; V : Rated voltage (V) (20°C)																		
Tangent of loss angle (tanδ)	<table border="1"> <tr> <th>Rated voltage (V)</th> <th>6.3</th> <th>10</th> <th>16</th> <th>25</th> <th>35</th> <th>50</th> <th>63</th> <th>100</th> </tr> <tr> <th>tanδ (max.)</th> <td>0.22</td> <td>0.19</td> <td>0.16</td> <td>0.14</td> <td>0.12</td> <td>0.10</td> <td>0.08</td> <td>0.07</td> </tr> </table>	Rated voltage (V)	6.3	10	16	25	35	50	63	100	tanδ (max.)	0.22	0.19	0.16	0.14	0.12	0.10	0.08	0.07
	Rated voltage (V)	6.3	10	16	25	35	50	63	100										
tanδ (max.)	0.22	0.19	0.16	0.14	0.12	0.10	0.08	0.07											
0.02 is added to every 1000μF increase over 1000μF. (20°C,120Hz)																			
Characteristics at high and low temperature	<table border="1"> <tr> <th>Rated voltage (V)</th> <th>6.3</th> <th>10</th> <th>16</th> <th>25</th> <th>35</th> <th>50</th> <th>63</th> <th>100</th> </tr> <tr> <th>Impedance ratio (max.)</th> <td>Z-55°C/Z+20°C</td> <td>3</td> <td>3</td> <td>3</td> <td>3</td> <td>3</td> <td>3</td> <td>3</td> </tr> </table>	Rated voltage (V)	6.3	10	16	25	35	50	63	100	Impedance ratio (max.)	Z-55°C/Z+20°C	3	3	3	3	3	3	3
	Rated voltage (V)	6.3	10	16	25	35	50	63	100										
Impedance ratio (max.)	Z-55°C/Z+20°C	3	3	3	3	3	3	3											
(120Hz)																			
Endurance (105°C) (Applied ripple current)	Test time	5000 hours (ϕ 5 to 6.3 : 2000 hours) (ϕ 8 to 10 : 3000 hours)																	
	Leakage current	The initial specified value or less																	
	Percentage of capacitance change	Within ±20% of initial value																	
	Tangent of the loss angle	200% or less of the initial specified value																	
Shelf life (105°C)	Test time	1000 hours																	
	Leakage current	The initial specified value or less																	
	Percentage of capacitance change	Within ±15% of initial value																	
	Tangent of the loss angle	150% or less of the initial specified value																	
Voltage application treatment																			
Applicable standards	JIS C5101-1, -4 1998 (IEC 60384-1 1992, -4 1985)																		

Outline Drawing

Unit : mm



Coefficient of Frequency for Rated Ripple Current

Rated capacitance (μF)	Frequency (Hz)			
	120	1k	10k	100k
3.3 to 180	0.40	0.75	0.90	1
220 to 390	0.50	0.85	0.95	1
470 to 1800	0.60	0.88	0.96	1
2200 to 3900	0.75	0.90	0.98	1
4700 to 10000	0.85	0.95	1.00	1

Part numbering system (example : 10V1000μF)

RJB	—	10	V	102	M	H4	#	—	□
Series code		Rated voltage symbol		Rated capacitance symbol	Capacitance tolerance symbol	Casing symbol			Taping(Forming) symbol

• The electric characteristics are described on page 183.

Standard Ratings

Rated voltage (V)	Item	6.3					10					16				
		Case	Casing symbol	Impedance (Ω max.)		Rated ripple current (mAmps)	Case	Casing symbol	Impedance (Ω max.)		Rated ripple current (mAmps)	Case	Casing symbol	Impedance (Ω max.)		Rated ripple current (mAmps)
				20°C	-10°C				20°C	-10°C				20°C	-10°C	
		φD×L (mm)				φD×L (mm)					φD×L (mm)					
100	—	—	—	—	—	5×11.5	E3	0.65	1.3	181	—	—	—	—	—	
220	—	—	—	—	—	6.3×11.5	F3	0.32	0.64	290	—	—	—	—	—	
330	6.3×11.5	F3	0.32	0.64	290	8×12	G3	0.17	0.34	555	8×12	G3	0.17	0.34	555	
470	8×12	G3	0.17	0.34	555	8×12	G3	0.17	0.34	555	10×12.5	H3	0.12	0.24	760	
680	8×12	G3	0.17	0.34	555	10×12.5	H3	0.12	0.24	760	10×16	H4	0.080	0.16	1050	
1000	10×12.5	H3	0.12	0.24	760	10×16	H4	0.080	0.16	1050	10×20	H5	0.062	0.124	1220	
2200	10×25	H6	0.052	0.104	1440	12.5×20	I5	0.042	0.084	1690	12.5×25	I6	0.034	0.068	1950	
3300	12.5×20	I5	0.042	0.084	1690	12.5×25	I6	0.034	0.068	1950	16×25	J6	0.028	0.056	2560	
4700	12.5×30	I7	0.030	0.060	2310	16×25	J6	0.028	0.056	2560	16×31.5	J7	0.025	0.050	3010	
6800	16×25	J6	0.028	0.056	2560	16×31.5	J7	0.025	0.050	3010	—	—	—	—	—	
10000	16×31.5	J7	0.025	0.050	3010	—	—	—	—	—	—	—	—	—	—	

Rated voltage (V)	Item	25					35					50				
		Case	Casing symbol	Impedance (Ω max.)		Rated ripple current (mAmps)	Case	Casing symbol	Impedance (Ω max.)		Rated ripple current (mAmps)	Case	Casing symbol	Impedance (Ω max.)		Rated ripple current (mAmps)
				20°C	-10°C				20°C	-10°C				20°C	-10°C	
		φD×L (mm)				φD×L (mm)					φD×L (mm)					
22	—	—	—	—	—	—	—	—	—	—	5×11.5	E3	0.95	1.9	170	
33	—	—	—	—	—	5×11.5	E3	0.65	1.3	181	6.3×11.5	F3	0.46	0.92	260	
47	5×11.5	E3	0.65	1.3	181	6.3×11.5	F3	0.32	0.64	290	6.3×11.5	F3	0.46	0.92	260	
100	6.3×11.5	F3	0.32	0.64	290	8×12	G3	0.17	0.34	555	8×12	G3	0.21	0.42	485	
150	—	—	—	—	—	—	—	—	—	—	10×12.5	H3	0.19	0.38	615	
220	8×12	G3	0.17	0.34	555	10×12.5	H3	0.12	0.24	760	10×16	H4	0.16	0.32	850	
330	10×12.5	H3	0.12	0.24	760	10×16	H4	0.080	0.16	1050	10×20	H5	0.085	0.17	1050	
470	10×16	H4	0.080	0.16	1050	10×20	H5	0.062	0.124	1220	12.5×20	I5	0.060	0.12	1500	
680	10×20	H5	0.062	0.124	1220	12.5×20	I5	0.042	0.084	1690	12.5×25	I6	0.045	0.090	1832	
1000	12.5×20	I5	0.042	0.084	1690	12.5×25	I6	0.034	0.068	1950	16×25	J6	0.038	0.076	2240	
2200	16×25	J6	0.028	0.056	2560	16×31.5	J7	0.025	0.050	3010	—	—	—	—	—	
3300	16×31.5	J7	0.025	0.050	3010	—	—	—	—	—	—	—	—	—	—	

Rated voltage (V)	Item	63					100				
		Case	Casing symbol	Impedance (Ω max.)		Rated ripple current (mAmps)	Case	Casing symbol	Impedance (Ω max.)		Rated ripple current (mAmps)
				20°C	-10°C				20°C	-10°C	
		φD×L (mm)				φD×L (mm)					
3.3	—	—	—	—	—	5×11.5	E3	1.9	7.6	57	
4.7	5×11.5	E3	1.2	3.6	120	5×11.5	E3	1.9	7.6	57	
10	5×11.5	E3	1.2	3.6	120	6.3×11.5	F3	1.1	4.4	78	
22	6.3×11.5	F3	0.55	1.7	148	8×12	G3	0.53	2.1	275	
33	6.3×11.5	F3	0.55	1.7	148	10×12.5	H3	0.47	1.9	319	
47	8×12	G3	0.32	0.96	360	10×16	H4	0.32	1.3	424	
100	10×12.5	H3	0.23	0.69	448	12.5×20	I5	0.13	0.52	805	
220	10×20	H5	0.12	0.36	676	16×25	J6	0.081	0.32	1290	
330	12.5×20	I5	0.075	0.23	979	16×25	J6	0.081	0.32	1290	
470	12.5×25	I6	0.065	0.20	1180	16×31.5	J7	0.059	0.23	1630	
1000	16×31.5	J7	0.042	0.13	1890	—	—	—	—	—	

(Note) Rated ripple current : 105°C, 100kHz ; Impedance : 100kHz

105°C Use, High-Reliability, Low Impedance Capacitors

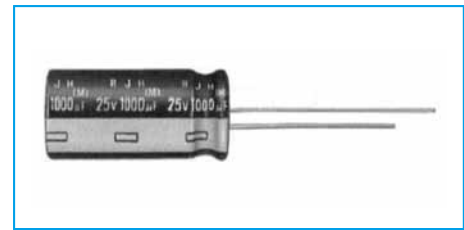
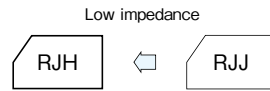
GREEN CAP

Low Impedance

105°C 5000hours

Anti-cleaning solvent

- The capacitor of this Series achieves high reliability under the environmental loading prevailing in a piece of equipment on which it is mounted.
- Guarantees 5000 hours at 105°C.
($\phi 5$ to 6.3 : 2000 hours ; $\phi 8$ to 10 : 3000 hours)



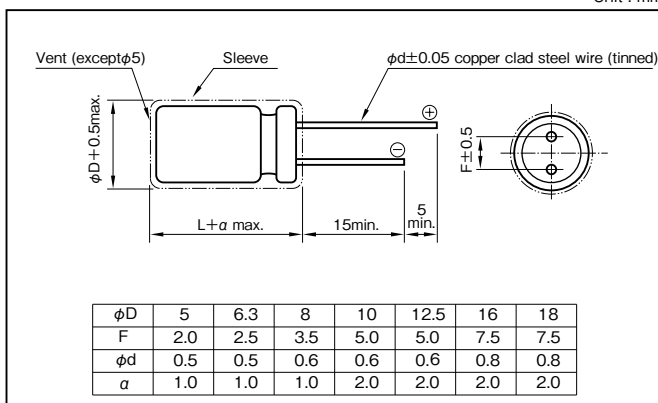
Marking color : White print on a black sleeve

Specifications

Item	Performance																										
Category temperature range (°C)	-55 to +105																										
Tolerance at rated capacitance (%)	±20 (20°C, 120Hz)																										
Leakage current (µA)	Less than 0.01CV + 2 (after 2 minutes) C : Rated capacitance (µF) ; V : Rated voltage (V) (20°C)																										
Tangent of loss angle (tanδ)	<table border="1"> <thead> <tr> <th>Rated voltage (V)</th> <th>6.3</th> <th>10</th> <th>16</th> <th>25</th> <th>35</th> <th>50</th> <th>63</th> <th>100</th> </tr> </thead> <tbody> <tr> <td>tanδ (max.)</td> <td>0.22</td> <td>0.19</td> <td>0.16</td> <td>0.14</td> <td>0.12</td> <td>0.10</td> <td>0.08</td> <td>0.07</td> </tr> </tbody> </table>	Rated voltage (V)	6.3	10	16	25	35	50	63	100	tanδ (max.)	0.22	0.19	0.16	0.14	0.12	0.10	0.08	0.07								
	Rated voltage (V)	6.3	10	16	25	35	50	63	100																		
tanδ (max.)	0.22	0.19	0.16	0.14	0.12	0.10	0.08	0.07																			
0.02 is added to every 1000µF increase over 1000µF. (20°C, 120Hz)																											
Characteristics at high and low temperature	<table border="1"> <thead> <tr> <th>Rated voltage (V)</th> <th>6.3</th> <th>10</th> <th>16</th> <th>25</th> <th>35</th> <th>50</th> <th>63</th> <th>100</th> </tr> </thead> <tbody> <tr> <td rowspan="2">Impedance ratio (max.)</td> <td>Z-25°C/Z+20°C</td> <td>2</td> <td>2</td> <td>2</td> <td>2</td> <td>2</td> <td>2</td> <td>2</td> </tr> <tr> <td>Z-55°C/Z+20°C</td> <td>3</td> <td>3</td> <td>3</td> <td>3</td> <td>3</td> <td>3</td> <td>3</td> </tr> </tbody> </table>	Rated voltage (V)	6.3	10	16	25	35	50	63	100	Impedance ratio (max.)	Z-25°C/Z+20°C	2	2	2	2	2	2	2	Z-55°C/Z+20°C	3	3	3	3	3	3	3
	Rated voltage (V)	6.3	10	16	25	35	50	63	100																		
Impedance ratio (max.)	Z-25°C/Z+20°C	2	2	2	2	2	2	2																			
	Z-55°C/Z+20°C	3	3	3	3	3	3	3																			
(120Hz)																											
Endurance (105°C) (Applied ripple current)	Test time	5000 hours ($\phi 5$ to 6.3 : 2000 hours) ($\phi 8$ to 10 : 3000 hours)																									
	Leakage current	The initial specified value or less																									
	Percentage of capacitance change	Within ±20% of initial value																									
	Tangent of the loss angle	200% or less of the initial specified value																									
Shelf life (105°C)	Test time	1000 hours																									
	Leakage current	The initial specified value or less																									
	Percentage of capacitance change	Within ±15% of initial value																									
	Tangent of the loss angle	150% or less of the initial specified value																									
Voltage application treatment																											
Applicable standards	JIS C5101-1, -4 1998 (IEC 60384-1 1992, -4 1985)																										

Outline Drawing

Unit : mm



Coefficient of Frequency for Rated Ripple Current

Rated capacitance (µF)	Frequency (Hz)			
	120	1k	10k	100k
1 to 4.7	0.40	0.68	0.78	1
5.6 to 47	0.50	0.76	0.87	1
56 to 270	0.70	0.85	0.90	1
330 to 1000	0.80	0.93	0.98	1
1200 to 15000	0.90	0.95	1.00	1

Part numbering system (example : 10V5600µF)

RJH	—	10	V	562	M	J7	#	—	□
Series code		Rated voltage symbol		Rated capacitance symbol	Capacitance tolerance symbol	Casing symbol			Taping/Forming symbol

Standard Ratings

Rated voltage (V)		6.3					10					
Case φD×L (mm)	Casing symbol	Item	Rated capacitance (μF)	ESR (Ω)	Impedance (Ω max.)		Rated ripple current (mArms)	Rated capacitance (μF)	ESR (Ω)	Impedance (Ω max.)		Rated ripple current (mArms)
					20°C	-10°C				20°C	-10°C	
5×11.5	E3		100	3.65	0.65	1.46	175	82	3.84	0.65	1.46	175
6.3×11.5	F3		220	1.66	0.31	0.70	290	180	1.75	0.31	0.70	290
8×12	G3		470	0.777	0.17	0.38	488	330	0.956	0.17	0.38	488
8×15	G4		680	0.537	0.13	0.29	617	470	0.671	0.13	0.29	617
8×20	G5		1000	0.365	0.095	0.21	800	680	0.464	0.095	0.21	800
10×12.5	H3		680	0.537	0.10	0.23	625	470	0.671	0.10	0.23	625
10×16	H4		820	0.446	0.080	0.18	825	560	0.563	0.080	0.18	825
10×20	H5		1200	0.305	0.062	0.14	1010	1000	0.316	0.062	0.14	1010
10×25	H6		1500	0.244	0.052	0.12	1190	1200	0.263	0.052	0.12	1190
10×30	H7		2200	0.181	0.044	0.099	1440	1500	0.211	0.044	0.099	1440
12.5×15	I4	•	1200	0.305	0.062	0.14	1010	• 1000	0.316	0.062	0.14	1010
12.5×20	I5		2200	0.181	0.042	0.095	1400	1800	0.176	0.042	0.095	1400
12.5×25	I6		2700	0.148	0.034	0.076	1690	2200	0.159	0.034	0.076	1690
12.5×30	I7		3900	0.111	0.030	0.068	1950	2700	0.130	0.030	0.068	1950
12.5×35	I8		4700	0.099	0.024	0.054	2220	3300	0.116	0.024	0.054	2220
12.5×40	I9		5600	0.089	0.021	0.047	2390	3900	0.098	0.021	0.047	2390
16×16	J4	•	2700	0.148	0.046	0.10	1310	• 1800	0.176	0.046	0.10	1310
16×20	J5	•	4700	0.099	0.034	0.077	1660	• 3300	0.116	0.034	0.077	1660
16×25	J6		5600	0.089	0.028	0.063	2070	3900	0.098	0.028	0.063	2070
16×31.5	J7		6800	0.079	0.025	0.056	2350	5600	0.080	0.025	0.056	2350
16×35.5	J8		8200	0.073	0.022	0.050	2550	6800	0.071	0.022	0.050	2550
16×40	J9		12000	0.059	0.018	0.041	2970	8200	0.067	0.018	0.041	2970
18×16	K4	•	3300	0.131	0.043	0.097	1460	• 2200	0.159	0.043	0.097	1460
18×20	K5	•	5600	0.089	0.030	0.068	1850	• 3900	0.098	0.030	0.068	1850
18×25	K6	•	6800	0.079	0.027	0.061	2120	• 4700	0.089	0.027	0.061	2120
18×31.5	K7		10000	0.064	0.023	0.052	2410	6800	0.071	0.023	0.052	2410
18×35.5	K8		12000	0.059	0.019	0.043	2680	8200	0.067	0.019	0.043	2680
18×40	K9		15000	0.054	0.017	0.038	3010	10000	0.059	0.017	0.038	3010

MINIATURE ALUMINUM

Rated voltage (V)		16					25					
Case φD×L (mm)	Casing symbol	Item	Rated capacitance (μF)	ESR (Ω)	Impedance (Ω max.)		Rated ripple current (mArms)	Rated capacitance (μF)	ESR (Ω)	Impedance (Ω max.)		Rated ripple current (mArms)
					20°C	-10°C				20°C	-10°C	
5×11.5	E3		56	4.74	0.65	1.46	175	39	5.96	0.65	1.46	175
6.3×11.5	F3		120	2.21	0.31	0.70	290	82	2.83	0.31	0.70	290
8×12	G3		270	0.983	0.17	0.38	488	180	1.29	0.17	0.38	488
8×15	G4		330	0.805	0.13	0.29	617	220	1.06	0.13	0.29	617
8×20	G5		470	0.565	0.095	0.21	800	330	0.704	0.095	0.21	800
10×12.5	H3		330	0.805	0.10	0.23	625	220	1.06	0.10	0.23	625
10×16	H4		390	0.681	0.080	0.18	825	270	0.861	0.080	0.18	825
10×20	H5		680	0.391	0.062	0.14	1010	470	0.495	0.062	0.14	1010
10×25	H6		820	0.324	0.052	0.12	1190	560	0.415	0.052	0.12	1190
10×30	H7		1200	0.222	0.044	0.099	1440	820	0.284	0.044	0.099	1440
12.5×15	I4	•	680	0.391	0.062	0.14	1010	• 470	0.495	0.062	0.14	1010
12.5×20	I5		1200	0.222	0.042	0.095	1400	820	0.284	0.042	0.095	1400
12.5×25	I6		1500	0.177	0.034	0.076	1690	1000	0.233	0.034	0.076	1690
12.5×30	I7		2200	0.136	0.030	0.068	1950	1500	0.155	0.030	0.068	1950
12.5×35	I8		2700	0.111	0.024	0.054	2220	1800	0.130	0.024	0.054	2220
12.5×40	I9		3300	0.101	0.021	0.047	2390	2200	0.121	0.021	0.047	2390
16×16	J4	•	1500	0.177	0.046	0.10	1310	• 820	0.284	0.046	0.10	1310
16×20	J5	•	2200	0.136	0.034	0.077	1660	• 1500	0.155	0.034	0.077	1660
16×25	J6		2700	0.111	0.028	0.063	2070	1800	0.130	0.028	0.063	2070
16×31.5	J7		3900	0.086	0.025	0.056	2350	2700	0.099	0.025	0.056	2350
16×35.5	J8		4700	0.078	0.022	0.050	2550	3300	0.091	0.022	0.050	2550
16×40	J9		5600	0.072	0.018	0.041	2970	3900	0.077	0.018	0.041	2970
18×16	K4	•	1500	0.177	0.043	0.097	1460	• 1200	0.194	0.043	0.097	1460
18×20	K5	•	2700	0.111	0.030	0.068	1850	• 1800	0.130	0.030	0.068	1850
18×25	K6	•	3900	0.086	0.027	0.061	2120	• 2700	0.099	0.027	0.061	2120
18×31.5	K7		4700	0.078	0.023	0.052	2410	3300	0.091	0.023	0.052	2410
18×35.5	K8		6800	0.064	0.019	0.043	2680	3900	0.077	0.019	0.043	2680
18×40	K9		8200	0.061	0.017	0.038	3010	4700	0.071	0.017	0.038	3010

(Note) Rated ripple current : 105°C, 100kHz; ESR : 20°C, 120Hz; Impedance : 100kHz
 • : The black circles in the capacitance column denote semi-standard products.

• The standard ratings follow the next page.

NOTE : Design, Specifications are subject to change without notice.
 It is recommended that you shall obtain technical specifications from ELNA to ensure that the component is suitable for your use.

Standard Ratings

Rated voltage (V)			35					50				
Case φD×L (mm)	Casing symbol	Item	Rated capacitance (μF)	ESR (Ω)	Impedance (Ω max.)		Rated ripple current (mA _{rms})	Rated capacitance (μF)	ESR (Ω)	Impedance (Ω max.)		Rated ripple current (mA _{rms})
					20°C	-10°C				20°C	-10°C	
5×11.5	E3		—	—	—	—	—	1	166	3.5	7.0	36
5×11.5	E3		—	—	—	—	—	2.2	75.4	3.0	6.0	54
5×11.5	E3		—	—	—	—	—	3.3	50.3	2.6	5.2	63
5×11.5	E3		—	—	—	—	—	4.7	35.3	2.2	4.4	75
5×11.5	E3		—	—	—	—	—	10	16.6	1.4	2.8	110
5×11.5	E3		27	7.37	0.65	1.46	175	18	9.22	0.95	1.9	120
6.3×11.5	F3		56	3.56	0.31	0.70	290	39	4.25	0.43	0.86	148
8×12	G3		120	1.66	0.17	0.38	488	68	2.44	0.20	0.40	360
8×15	G4		180	1.11	0.13	0.29	617	82	2.02	0.18	0.36	460
8×20	G5		220	0.905	0.095	0.21	800	120	1.38	0.13	0.26	670
10×12.5	H3		150	1.33	0.10	0.23	625	82	2.02	0.18	0.36	443
10×16	H4		180	1.11	0.080	0.18	825	100	1.66	0.15	0.30	553
10×20	H5		330	0.604	0.062	0.14	1010	180	0.922	0.085	0.17	676
10×25	H6		390	0.511	0.052	0.12	1190	220	0.754	0.075	0.15	876
10×30	H7		560	0.356	0.044	0.099	1440	330	0.503	0.055	0.11	1010
12.5×15	I4	•	330	0.604	0.062	0.140	1010	• 180	0.922	0.095	0.19	745
12.5×20	I5		560	0.356	0.042	0.095	1400	330	0.503	0.060	0.12	979
12.5×25	I6		680	0.293	0.034	0.076	1690	470	0.353	0.044	0.088	1180
12.5×30	I7		1000	0.200	0.030	0.068	1950	560	0.297	0.040	0.080	1310
12.5×35	I8		1200	0.166	0.024	0.054	2220	680	0.244	0.036	0.072	1470
12.5×40	I9		1500	0.133	0.021	0.047	2390	820	0.203	0.034	0.068	1590
16×16	J4	•	560	0.356	0.046	0.10	1310	• 330	0.503	0.065	0.13	982
16×20	J5	•	1000	0.200	0.034	0.077	1660	• 680	0.244	0.045	0.090	1210
16×25	J6		1200	0.166	0.028	0.063	2070	820	0.203	0.038	0.076	1490
16×31.5	J7		1800	0.111	0.025	0.056	2350	1000	0.166	0.032	0.064	1890
16×35.5	J8		2200	0.106	0.022	0.050	2550	1200	0.139	0.028	0.056	2140
16×40	J9		2700	0.087	0.018	0.041	2970	1500	0.111	0.026	0.052	2410
18×16	K4	•	680	0.293	0.043	0.097	1460	• 470	0.353	0.048	0.096	1180
18×20	K5	•	1200	0.166	0.030	0.068	1850	• 820	0.203	0.036	0.072	1450
18×25	K6	•	1800	0.111	0.027	0.061	2120	• 1000	0.166	0.032	0.064	1720
18×31.5	K7		2200	0.106	0.023	0.052	2410	1500	0.111	0.026	0.052	1970
18×35.5	K8		2700	0.087	0.019	0.043	2680	1800	0.074	0.025	0.050	2310
18×40	K9		3300	0.081	0.017	0.038	3010	2200	0.073	0.024	0.048	2530

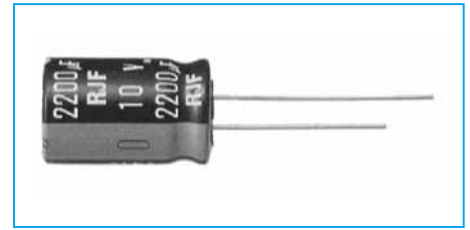
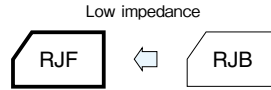
Rated voltage (V)			63					100				
Case φD×L (mm)	Casing symbol	Item	Rated capacitance (μF)	ESR (Ω)	Impedance (Ω max.)		Rated ripple current (mA _{rms})	Rated capacitance (μF)	ESR (Ω)	Impedance (Ω max.)		Rated ripple current (mA _{rms})
					20°C	-10°C				20°C	-10°C	
5×11.5	E3		12	11.1	1.2	3.6	120	5.6	20.7	1.9	7.6	57
6.3×11.5	F3		27	4.92	0.55	1.7	148	12	9.68	1.1	4.4	78
8×12	G3		47	2.82	0.32	0.96	360	22	5.28	0.53	2.1	275
8×15	G4		68	1.95	0.24	0.72	469	33	3.52	0.35	1.4	360
8×20	G5		82	1.62	0.17	0.51	682	39	2.98	0.27	1.1	490
10×12.5	H3		56	2.37	0.23	0.69	448	27	4.30	0.47	1.9	319
10×16	H4		68	1.95	0.17	0.51	553	33	3.52	0.32	1.3	424
10×20	H5		120	1.11	0.12	0.36	676	56	2.07	0.25	1.0	499
10×25	H6		150	0.885	0.10	0.30	876	68	1.71	0.18	0.72	634
10×30	H7		180	0.738	0.085	0.26	1020	100	1.16	0.15	0.60	739
12.5×15	I4	•	150	0.885	0.11	0.33	745	• 68	1.71	0.20	0.80	613
12.5×20	I5		220	0.604	0.075	0.23	979	100	1.16	0.13	0.52	805
12.5×25	I6		270	0.492	0.065	0.20	1180	120	0.968	0.11	0.44	857
12.5×30	I7		390	0.341	0.055	0.17	1310	180	0.646	0.090	0.36	1120
12.5×35	I8		470	0.283	0.048	0.14	1470	220	0.528	0.075	0.30	1240
12.5×40	I9		560	0.237	0.042	0.13	1590	270	0.431	0.060	0.24	1330
16×16	J4	•	220	0.604	0.080	0.24	982	• 120	0.968	0.13	0.52	706
16×20	J5	•	390	0.341	0.057	0.17	1210	• 180	0.646	0.11	0.44	916
16×25	J6		470	0.283	0.052	0.16	1490	220	0.528	0.081	0.32	1290
16×31.5	J7		680	0.196	0.042	0.13	1890	330	0.352	0.059	0.23	1630
16×35.5	J8		820	0.162	0.036	0.11	2140	390	0.298	0.052	0.21	1750
16×40	J9		1000	0.133	0.032	0.096	2410	470	0.248	0.045	0.18	1920
18×16	K4	•	330	0.403	0.065	0.20	1200	• 150	0.775	0.12	0.48	871
18×20	K5	•	560	0.237	0.058	0.17	1460	• 270	0.431	0.085	0.34	1170
18×25	K6	•	680	0.196	0.050	0.15	1740	• 330	0.352	0.071	0.28	1500
18×31.5	K7		820	0.162	0.042	0.13	1990	390	0.298	0.058	0.23	1630
18×35.5	K8		1000	0.133	0.035	0.11	2340	560	0.208	0.054	0.22	1920
18×40	K9		1200	0.111	0.032	0.096	2560	680	0.171	0.041	0.16	2100

(Note) Rated ripple current : 105°C, 100kHz ; ESR : 20°C, 120Hz ; Impedance : 100kHz
 • : The black circles in the capacitance column denote semi-standard products.

105°C Use, Miniature, High-Reliability, Extra Low Impedance Capacitors

GREEN CAP Low Impedance 105°C 5000hours Anti-cleaning solvent

- Higher ripple current and Lower impedance than RJB series.



Marking color : White print on a black sleeve

Specifications

Item	Performance									
Category temperature range (°C)	-40 to +105									
Tolerance at rated capacitance (%)	±20 (20°C,120Hz)									
Leakage current (µA)	Less than 0.01CV or 3 whichever is larger (after 2 minutes) C : Rated capacitance (µF) ; V : Rated voltage (V) (20°C)									
Tangent of loss angle (tanδ)	Rated voltage (V)	6.3	10	16	25	35	50	63	80	100
	tanδ (max.)	0.22	0.19	0.16	0.14	0.12	0.10	0.09	0.09	0.08
0.02 is added to every 1000µF increase over 1000µF. (20°C,120Hz)										
Characteristics at high and low temperature	Rated voltage (V)	6.3	10	16	25	35	50	63	80	100
	Impedance ratio (max.)	Z-25°C/Z+20°C	2	2	2	2	2	2	2	2
Z-40°C/Z+20°C 3 3 3 3 3 3 3 3 3 3 (120Hz)										
Endurance (105°C) (Applied ripple current)	Test time	5L & 7L : 1000 hours φ5 & φ6.3 : 2000 hours (63 to 100WV:5000 hours) φ8 & φ10 : 3000 hours (63 to 100WV:7000 hours) φ12.5 to φ18 : 5000 hours (63 to 100WV:10000 hours)								
	Leakage current	The initial specified value or less								
	Percentage of capacitance change	Within ±25% of initial value								
	Tangent of the loss angle	200% or less of the initial specified value								
Shelf life (105°C)	Test time	1000 hours								
	Leakage current	The initial specified value or less								
	Percentage of capacitance change	Within ±25% of initial value								
	Tangent of the loss angle	200% or less of the initial specified value								
Voltage application treatment										
Applicable standards	JIS C5101-1, -4 1998 (IEC 60384-1 1992, -4 1985)									

MINIATURE ALUMINUM

Outline Drawing

Unit : mm

11.5L or more

φD	5	6.3	8	10	12.5	16	18
F	2.0	2.5	3.5	5.0	5.0	7.5	7.5
φd	0.5	0.5	0.6	0.6	0.6	0.8	0.8
α	1.0	1.0	1.0	2.0	2.0	2.0	2.0

7L

φD	4	5	6.3	8
F	1.5	2.0	2.5	3.5
φd	0.45	0.45	0.45	0.45
α	1.0	1.0	1.0	1.0

Coefficient of Frequency for Rated Ripple Current

Rated capacitance (µF) \ Frequency (Hz)	120	1k	10k	100k
5.6 to 180	0.40	0.75	0.90	1
220 to 390	0.50	0.85	0.94	1
470 to 1800	0.60	0.87	0.95	1
2200 to 3900	0.75	0.90	0.95	1
4700 to 6800	0.85	0.95	0.98	1

Part numbering system (example : 10V1000µF)

RJF	—	10	V	102	M	H4	#	—	□
Series code		Rated voltage symbol		Rated capacitance symbol	Capacitance tolerance symbol	Casing symbol			Taping(Forming) symbol

- The electric characteristics are described on page 183.

- The standard ratings are described on the next page.

NOTE : Design, Specifications are subject to change without notice. It is recommended that you shall obtain technical specifications from ELNA to ensure that the component is suitable for your use.

Standard Ratings

Rated voltage (V)	Item	6.3					10					16				
		Case	Casing symbol	Impedance (Ω max.)		Rated ripple current (mA rms)	Case	Casing symbol	Impedance (Ω max.)		Rated ripple current (mA rms)	Case	Casing symbol	Impedance (Ω max.)		Rated ripple current (mA rms)
				20°C	-10°C				20°C	-10°C				20°C	-10°C	
	18	—	—	—	—	—	—	—	—	—	4×7	D1	0.92	2.8	130	
	27	—	—	—	—	4×7	D1	0.89	2.7	130	6.3×5	F0	0.30	0.95	210	
	33	—	—	—	—	—	—	—	—	—	5×7	E1	0.45	1.4	210	
											6.3×5	F0	0.30	0.95	210	
	39	4×7	D1	0.85	2.6	130	—	—	—	—	—	—	—	—	—	
	47	—	—	—	—	—	6.3×5	F0	0.29	0.93	210	—	—	—	—	—
	56	—	—	—	—	—	5×7	E1	0.44	1.4	210	5×11.5	E3	0.22	0.80	345
	68	5×7	E1	0.43	1.3	210	—	—	—	—	6.3×7	F1	0.24	0.72	300	
	100	6.3×5	F0	0.28	0.91	210	5×11.5	E3	0.22	0.8	345	—	—	—	—	—
	120	—	—	—	—	—	6.3×7	F1	0.23	0.69	300	8×7	G1	0.15	0.45	380
												6.3×11.5	F3	0.094	0.35	540
	150	5×11.5	E3	0.22	0.80	345	—	—	—	—	—	—	—	—	—	—
		6.3×7	F1	0.23	0.69	300	—	—	—	—	—	—	—	—	—	—
	180	—	—	—	—	—	8×7	G1	0.15	0.45	380	—	—	—	—	—
	220	8×7	G1	0.15	0.45	380	6.3×11.5	F3	0.094	0.35	540	—	—	—	—	—
	330	6.3×11.5	F3	0.094	0.35	540	—	—	—	—	8×12	G3	0.056	0.19	945	
	470	—	—	—	—	—	8×12	G3	0.056	0.19	945	8×15	G4	0.045	0.15	1250
	560	8×12	G3	0.056	0.19	945	—	—	—	—	10×16	H4	0.028	0.10	1760	
	680	—	—	—	—	—	10×12.5	H3	0.039	0.14	1330	—	—	—	—	—
	820	8×15	G4	0.046	0.15	1250	—	—	—	—	—	—	—	—	—	—
	1000	10×12.5	H3	0.039	0.14	1330	10×16	H4	0.028	0.10	1760	10×20	H5	0.020	0.060	1960
	1200	10×16	H4	0.028	0.10	1760	10×20	H5	0.020	0.060	1960	10×25	H6	0.018	0.054	2250
	1500	10×20	H5	0.020	0.060	1960	10×25	H6	0.018	0.054	2250	12.5×20	I5	0.017	0.043	2480
	2200	10×25	H6	0.018	0.054	2250	12.5×20	I5	0.017	0.043	2480	12.5×25	I6	0.015	0.038	2900
	2700	—	—	—	—	—	—	—	—	—	16×20	J5	0.015	0.038	3250	
	3300	12.5×20	I5	0.017	0.043	2480	12.5×25	I6	0.015	0.038	2900	16×25	J6	0.013	0.035	3630
	3900	12.5×25	I6	0.015	0.038	2900	16×20	J5	0.015	0.038	3250	16×25	J6	0.013	0.035	3630
	4700	12.5×30	I7	0.013	0.033	3450	16×25	J6	0.013	0.035	3630	—	—	—	—	—
	5600	16×20	J5	0.015	0.038	3570	16×25	J6	0.013	0.035	3630	—	—	—	—	—
	6800	16×25	J6	0.013	0.035	3630	—	—	—	—	—	—	—	—	—	—

Rated voltage (V)	Item	25					35					50				
		Case	Casing symbol	Impedance (Ω max.)		Rated ripple current (mA rms)	Case	Casing symbol	Impedance (Ω max.)		Rated ripple current (mA rms)	Case	Casing symbol	Impedance (Ω max.)		Rated ripple current (mA rms)
				20°C	-10°C				20°C	-10°C				20°C	-10°C	
	5.6	—	—	—	—	—	—	—	—	—	4×7	D1	1.0	3.0	130	
	10	5×5	E0	0.61	1.5	130	5×5	E0	0.63	1.5	130	5×7	E1	0.50	1.5	210
		4×7	D1	0.94	2.9	130	4×7	D1	0.96	2.9	130					
	15	4×7	D1	0.94	2.9	130	—	—	—	—	—	—	—	—	—	
	18	—	—	—	—	—	5×7	E1	0.47	1.5	210	—	—	—	—	—
	22	6.3×5	F0	0.31	0.97	210	6.3×5	F0	0.32	1.0	210	6.3×7	F1	0.26	0.78	300
												5×11.5	E3	0.34	1.18	238
	27	5×7	E1	0.46	1.4	210	—	—	—	—	—	—	—	—	—	
	33	—	—	—	—	—	5×11.5	E3	0.22	0.80	345	8×7	G1	0.17	0.51	380
	39	—	—	—	—	—	6.3×7	F1	0.25	0.75	300	—	—	—	—	—
	47	5×11.5	E3	0.22	0.80	345	—	—	—	—	—	—	—	—	—	
	56	6.3×7	F1	0.24	0.72	300	8×7	G1	0.16	0.48	380	6.3×11.5	F3	0.14	0.50	385
							6.3×11.5	F3	0.094	0.35	540					
	100	8×7	G1	0.15	0.45	380	—	—	—	—	8×12	G3	0.074	0.22	724	
		6.3×11.5	F3	0.13	0.41	405	—	—	—	—						
	120	—	—	—	—	—	—	—	—	—	8×15	G4	0.061	0.18	950	
	150	—	—	—	—	—	8×12	G3	0.056	0.19	945	10×12.5	H3	0.061	0.18	979
	180	—	—	—	—	—	—	—	—	—	8×20	G5	0.046	0.14	1190	
	220	8×12	G3	0.056	0.19	945	10×12.5	H3	0.039	0.14	1330	10×16	H4	0.042	0.12	1370
	270	—	—	—	—	—	8×20	G5	0.029	0.11	1500	10×20	H5	0.030	0.090	1580
	330	10×12.5	H3	0.039	0.14	1330	10×16	H4	0.028	0.10	1760	10×25	H6	0.028	0.085	1870
	470	10×16	H4	0.028	0.10	1760	10×20	H5	0.020	0.060	1960	12.5×20	I5	0.027	0.068	2050
	560	—	—	—	—	—	10×25	H6	0.018	0.054	2250	12.5×25	I6	0.023	0.059	2410
	680	10×20	H5	0.020	0.060	1960	12.5×20	I5	0.017	0.043	2480	16×20	J5	0.023	0.059	2730
	820	10×25	H6	0.018	0.054	2250	—	—	—	—	16×20	J5	0.023	0.059	2730	
	1000	12.5×20	I5	0.017	0.043	2480	12.5×25	I6	0.015	0.038	2900	16×25	J6	0.021	0.056	3010
	1200	—	—	—	—	—	16×20	J5	0.015	0.038	3250	—	—	—	—	—
	1500	12.5×25	I6	0.015	0.038	2900	16×25	J6	0.013	0.035	3630	—	—	—	—	—
	1800	16×20	J5	0.015	0.038	3250	16×25	J6	0.013	0.035	3630	—	—	—	—	—
	2200	16×25	J6	0.013	0.035	3630	—	—	—	—	—	—	—	—	—	—
	2700	16×25	J6	0.013	0.035	3630	—	—	—	—	—	—	—	—	—	—

(Note) Rated ripple current : 105°C, 100kHz ; Impedance : 100kHz

Standard Ratings

Rated voltage (V)	Item	63				80				100					
		Case ϕ DxL (mm)	Casing symbol	Impedance (Ω max.)		Case ϕ DxL (mm)	Casing symbol	Impedance (Ω max.)		Case ϕ DxL (mm)	Casing symbol	Impedance (Ω max.)		Rated ripple current (mA rms)	
				20°C	-10°C			20°C	-10°C			20°C	-10°C		
6.8	—	—	—	—	—	—	—	—	—	—	5 × 11.5	E3	1.4	5.6	125
15	5 × 11.5	E3	0.88	3.5	165	—	—	—	—	—	6.3 × 11.5	F3	0.57	2.3	205
27	—	—	—	—	—	—	—	—	—	—	8 × 12	G3	0.36	1.4	335
33	6.3 × 11.5	F3	0.35	1.4	265	—	—	—	—	—	—	—	—	—	—
39	—	—	—	—	—	—	—	—	—	—	8 × 15	G4	0.25	1.0	450
47	—	—	—	—	—	—	—	—	—	—	10 × 12.5	H3	0.17	0.66	480
56	8 × 12	G3	0.22	0.88	500	—	—	—	—	—	8 × 20	G5	0.19	0.76	565
68	—	—	—	—	—	10 × 12.5	H3	0.17	0.66	480	10 × 16	H4	0.11	0.47	600
82	10 × 12.5	H3	0.11	0.44	690	—	—	—	—	—	10 × 20	H5	0.084	0.34	800
100	—	—	—	—	—	10 × 16	H4	0.11	0.47	600	12.5 × 15	I4	0.11	0.34	750
120	8 × 20	G5	0.12	0.48	820	10 × 20	H5	0.084	0.34	800	10 × 25	H6	0.069	0.28	900
	10 × 16	H4	0.076	0.31	950										
150	—	—	—	—	—	10 × 25	H6	0.069	0.28	900	12.5 × 20	I5	0.062	0.18	1100
180	10 × 20	H5	0.056	0.23	1150	—	—	—	—	—	—	—	—	—	—
220	10 × 25	H6	0.046	0.19	1350	12.5 × 20	I5	0.062	0.18	1100	16 × 20	J5	0.048	0.15	1350
270	12.5 × 20	I5	0.041	0.13	1500	—	—	—	—	—	12.5 × 30	I7	0.042	0.13	1500
330	—	—	—	—	—	12.5 × 25	I6	0.047	0.14	1250	12.5 × 35	I8	0.036	0.11	1650
						16 × 20	J5	0.048	0.15	1350	16 × 25	J6	0.038	0.12	1700
						—	—	—	—	—	—	—	—	—	18 × 20
390	12.5 × 25	I6	0.031	0.093	1900	12.5 × 30	I7	0.042	0.13	1500	12.5 × 40	I9	0.032	0.095	1800
470	12.5 × 30	I7	0.028	0.084	2300	12.5 × 35	I8	0.036	0.11	1650	16 × 31.5	J7	0.032	0.095	1850
	16 × 20	J5	0.032	0.096	2000	16 × 25	J6	0.038	0.12	1700	18 × 25	K6	0.036	0.11	1750
						18 × 20	K5	0.045	0.14	1500					
560	12.5 × 35	I8	0.024	0.070	2500	—	—	—	—	—	16 × 35.5	J8	0.029	0.086	2000
680	12.5 × 40	I9	0.021	0.063	2800	16 × 31.5	J7	0.032	0.095	1850	18 × 31.5	K7	0.030	0.090	1900
	16 × 25	J6	0.025	0.075	2600						16 × 40	J9	0.027	0.081	2480
	18 × 20	K5	0.030	0.090	2500						18 × 35.5	K8	0.027	0.081	2200
820	16 × 31.5	J7	0.021	0.063	2850	16 × 35.5	J8	0.029	0.086	2000	18 × 40	K9	0.026	0.077	2700
	18 × 25	K6	0.024	0.072	2800	18 × 31.5	K7	0.030	0.090	1900					
1000	16 × 35.5	J8	0.019	0.057	2900	—	—	—	—	—	—	—	—	—	—
1200	16 × 40	J9	0.018	0.054	3400	18 × 40	K9	0.026	0.077	2700	—	—	—	—	—
	18 × 31.5	K7	0.020	0.060	3300						—	—	—	—	—
1500	18 × 35.5	K8	0.018	0.054	3400	—	—	—	—	—	—	—	—	—	—
1800	18 × 40	K9	0.017	0.051	3500	—	—	—	—	—	—	—	—	—	—

(Note) Rated ripple current : 105°C , 100kHz ; Impedance : 100kHz

105°C Use, Miniature, Long Life, extra Low Impedance Capacitors

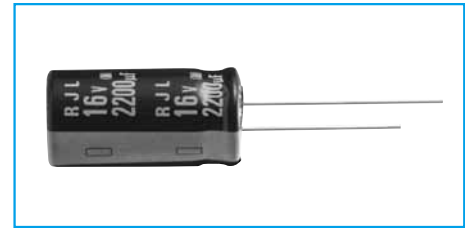
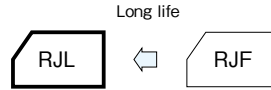
GREEN
CAP

Low
Impedance

105°C
10000hours

Anti-
cleaning
solvent

- Long life than RJF series.
- Guarantees 4000 to 10000 hours at 105°C.



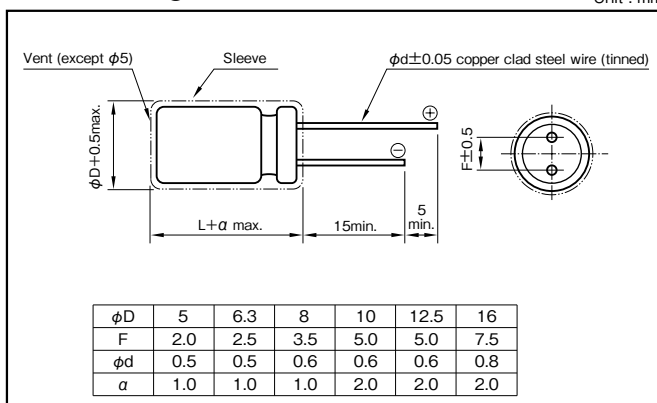
Marking color : White print on a black sleeve

Specifications

Item	Performance																										
Category temperature range (°C)	-40 to +105																										
Tolerance at rated capacitance (%)	±20 (20°C, 120Hz)																										
Leakage current (μA)	Less than 0.01CV or 3 whichever is larger (after 2 minutes) C : Rated capacitance (μF), V : Rated voltage (V) (20°C)																										
Tangent of loss angle (tanδ)	<table border="1"> <thead> <tr> <th>Rated voltage (V)</th> <th>6.3</th> <th>10</th> <th>16</th> <th>25</th> <th>35</th> <th>50</th> <th>63</th> <th>100</th> </tr> </thead> <tbody> <tr> <td>tanδ (max.)</td> <td>0.22</td> <td>0.19</td> <td>0.16</td> <td>0.14</td> <td>0.12</td> <td>0.10</td> <td>0.09</td> <td>0.08</td> </tr> </tbody> </table>	Rated voltage (V)	6.3	10	16	25	35	50	63	100	tanδ (max.)	0.22	0.19	0.16	0.14	0.12	0.10	0.09	0.08								
	Rated voltage (V)	6.3	10	16	25	35	50	63	100																		
tanδ (max.)	0.22	0.19	0.16	0.14	0.12	0.10	0.09	0.08																			
0.02 is added to every 1000μF increase over 1000μF. (20°C, 120Hz)																											
Characteristics at high and low temperature	<table border="1"> <thead> <tr> <th>Rated voltage (V)</th> <th>6.3</th> <th>10</th> <th>16</th> <th>25</th> <th>35</th> <th>50</th> <th>63</th> <th>100</th> </tr> </thead> <tbody> <tr> <td rowspan="2">Impedance ratio (max.)</td> <td>Z-25°C/Z+20°C</td> <td>4</td> <td>3</td> <td>2</td> <td>2</td> <td>2</td> <td>2</td> <td>2</td> </tr> <tr> <td>Z-40°C/Z+20°C</td> <td>8</td> <td>6</td> <td>4</td> <td>3</td> <td>3</td> <td>3</td> <td>3</td> </tr> </tbody> </table>	Rated voltage (V)	6.3	10	16	25	35	50	63	100	Impedance ratio (max.)	Z-25°C/Z+20°C	4	3	2	2	2	2	2	Z-40°C/Z+20°C	8	6	4	3	3	3	3
	Rated voltage (V)	6.3	10	16	25	35	50	63	100																		
Impedance ratio (max.)	Z-25°C/Z+20°C	4	3	2	2	2	2	2																			
	Z-40°C/Z+20°C	8	6	4	3	3	3	3																			
(120Hz)																											
Endurance (105°C) (Applied ripple current)	Test time	φ5 & φ6.3 : 5000 hours (6.3~10WV : 4000 hours) φ8 & φ10 : 7000 hours (6.3~10WV : 6000 hours) φ12.5 & φ16 : 10000 hours (6.3~10WV : 8000 hours)																									
	Leakage current	The initial specified value or less																									
	Percentage of capacitance change	Within ±25% of initial value																									
	Tangent of the loss angle	200% or less of the initial specified value																									
Shelf life (105°C)	Test time	1000 hours																									
	Leakage current	The initial specified value or less																									
	Percentage of capacitance change	Within ±25% of initial value																									
	Tangent of the loss angle	200% or less of initial specified value																									
Voltage application treatment																											
Applicable standards	JIS C5101-1, -4 1998 (IEC 60384-1 1992, -4 1985)																										

Outline Drawing

Unit : mm



Coefficient of Frequency for Rated Ripple Current

Rated capacitance (μF)	Frequency (Hz)			
	120	1k	10k	100k
to 33	0.42	0.70	0.90	1
47 to 270	0.50	0.73	0.92	1
330 to 680	0.55	0.77	0.94	1
820 to 1800	0.60	0.80	0.96	1
2200 to 6800	0.70	0.85	0.98	1

Part numbering system (example : 10V1000μF)

RJL	—	10	V	102	M	H4	#	—	□
Series code		Rated voltage symbol		Rated capacitance symbol	Capacitance tolerance symbol	Casing symbol			Taping(Forming) symbol

Standard Ratings

Rated voltage (V)	Item	6.3					10					16				
		Case φD×L (mm)	Casing symbol	Impedance (Ω max.)		Rated ripple current (mArms)	Case φD×L (mm)	Casing symbol	Impedance (Ω max.)		Rated ripple current (mArms)	Case φD×L (mm)	Casing symbol	Impedance (Ω max.)		Rated ripple current (mArms)
				20°C	-10°C				20°C	-10°C				20°C	-10°C	
56	—	—	—	—	—	—	—	—	—	—	5×11.5	E3	0.58	2.3	210	
100	—	—	—	—	—	5×11.5	E3	0.58	2.3	210	—	—	—	—	—	
120	—	—	—	—	—	—	—	—	—	—	6.3×11.5	F3	0.22	0.87	340	
150	5×11.5	E3	0.58	2.3	210	—	—	—	—	—	—	—	—	—	—	
220	—	—	—	—	—	6.3×11.5	F3	0.22	0.87	340	—	—	—	—	—	
330	6.3×11.5	F3	0.22	0.87	340	—	—	—	—	—	8×12	G3	0.13	0.52	640	
470	—	—	—	—	—	8×12	G3	0.13	0.52	640	8×15	G4	0.087	0.35	840	
560	8×12	G3	0.13	0.52	640	8×15	G4	0.087	0.35	840	—	—	—	—	—	
680	8×12	G3	0.13	0.52	640	10×12.5	H3	0.080	0.32	865	10×16	H4	0.060	0.24	1210	
820	10×12.5	H3	0.080	0.32	865	10×16	H4	0.060	0.24	1210	10×20	H5	0.046	0.18	1400	
1000	8×15	G4	0.087	0.35	840	10×16	H4	0.060	0.24	1210	10×20	H5	0.046	0.18	1400	
1200	10×16	H4	0.060	0.24	1210	10×20	H5	0.046	0.18	1400	10×25	H6	0.042	0.17	1650	
1500	10×20	H5	0.046	0.18	1400	10×25	H6	0.042	0.17	1650	12.5×20	I5	0.035	0.12	1900	
1800	10×25	H6	0.042	0.17	1650	12.5×20	I5	0.035	0.12	1900	12.5×25	I6	0.027	0.089	2230	
2200	10×25	H6	0.042	0.17	1650	12.5×20	I5	0.035	0.12	1900	12.5×25	I6	0.027	0.089	2230	
2700	—	—	—	—	—	—	—	—	—	—	16×20	J5	0.027	0.078	2530	
3300	12.5×20	I5	0.035	0.12	1900	12.5×25	I6	0.027	0.089	2230	12.5×35	I8	0.020	0.065	2880	
3900	—	—	—	—	—	—	—	—	—	—	16×25	J6	0.021	0.060	2930	
4700	12.5×30	I7	0.024	0.078	2650	12.5×35	I8	0.020	0.065	2880	—	—	—	—	—	
5600	16×20	J5	0.027	0.078	2530	16×25	J6	0.021	0.060	2930	—	—	—	—	—	
6800	16×25	J6	0.021	0.060	2930	—	—	—	—	—	—	—	—	—	—	

Rated voltage (V)	Item	25					35					50				
		Case φD×L (mm)	Casing symbol	Impedance (Ω max.)		Rated ripple current (mArms)	Case φD×L (mm)	Casing symbol	Impedance (Ω max.)		Rated ripple current (mArms)	Case φD×L (mm)	Casing symbol	Impedance (Ω max.)		Rated ripple current (mArms)
				20°C	-10°C				20°C	-10°C				20°C	-10°C	
10	—	—	—	—	—	—	—	—	—	—	5×11.5	E3	1.50	6.0	100	
22	—	—	—	—	—	—	—	—	—	—	5×11.5	E3	0.70	2.8	180	
33	—	—	—	—	—	5×11.5	E3	0.58	2.3	210	—	—	—	—	—	
47	5×11.5	E3	0.58	2.3	210	—	—	—	—	—	—	—	—	—	—	
56	—	—	—	—	—	6.3×11.5	F3	0.22	0.87	340	6.3×11.5	F3	0.30	1.2	295	
100	6.3×11.5	F3	0.22	0.87	340	—	—	—	—	—	8×12	G3	0.17	0.68	555	
120	—	—	—	—	—	—	—	—	—	—	8×15	G4	0.12	0.48	730	
150	—	—	—	—	—	8×12	G3	0.13	0.52	640	10×12.5	H3	0.12	0.48	760	
180	—	—	—	—	—	8×15	G4	0.087	0.35	870	8×20	G5	0.091	0.36	910	
220	8×12	G3	0.13	0.52	640	8×15	G4	0.087	0.35	870	10×16	H4	0.084	0.34	1050	
270	—	—	—	—	—	8×20	G5	0.069	0.27	1050	10×20	H5	0.060	0.24	1220	
330	8×15	G4	0.087	0.35	840	10×16	H4	0.060	0.24	1210	10×25	H6	0.055	0.22	1440	
470	10×16	H4	0.060	0.24	1210	10×20	H5	0.046	0.18	1400	12.5×20	I5	0.045	0.15	1660	
560	—	—	—	—	—	10×25	H6	0.042	0.17	1650	12.5×25	I6	0.034	0.11	1950	
680	10×20	H5	0.046	0.18	1400	12.5×20	I5	0.035	0.12	1900	12.5×25	I6	0.034	0.11	1950	
820	10×25	H6	0.042	0.17	1650	12.5×25	I6	0.027	0.089	2230	12.5×30	I7	0.030	0.10	2310	
1000	12.5×20	I5	0.035	0.12	1900	12.5×25	I6	0.027	0.089	2230	16×25	J6	0.025	0.075	2555	
1200	12.5×25	I6	0.027	0.089	2230	16×20	J5	0.027	0.078	2530	—	—	—	—	—	
1500	12.5×25	I6	0.027	0.089	2230	12.5×35	I8	0.020	0.065	2880	—	—	—	—	—	
1800	16×20	J5	0.027	0.078	2530	16×25	J6	0.021	0.060	2930	—	—	—	—	—	
2200	12.5×35	I8	0.020	0.065	2880	—	—	—	—	—	—	—	—	—	—	
2700	16×25	J6	0.021	0.060	2930	—	—	—	—	—	—	—	—	—	—	

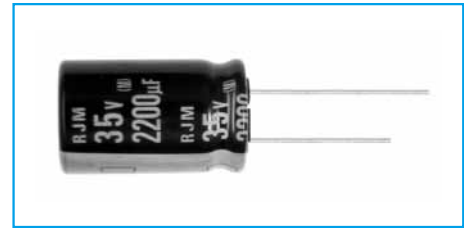
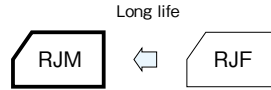
Rated voltage (V)	Item	63					100				
		Case φD×L (mm)	Casing symbol	Impedance (Ω max.)		Rated ripple current (mArms)	Case φD×L (mm)	Casing symbol	Impedance (Ω max.)		Rated ripple current (mArms)
				20°C	-10°C				20°C	-10°C	
6.8	—	—	—	—	—	5×11.5	E3	2.3	9.3	55	
15	5×11.5	E3	2.3	9.3	55	6.3×11.5	F3	1.2	5.0	115	
27	6.3×11.5	F3	1.2	5.0	115	8×12	G3	0.63	2.8	232	
47	—	—	—	—	—	10×12.5	H3	0.43	1.8	288	
56	8×12	G3	0.63	2.8	232	8×20	G5	0.33	1.6	362	
68	—	—	—	—	—	10×16	H4	0.31	1.5	357	
82	8×15	G4	0.45	2.1	300	10×20	H5	0.21	0.94	466	
100	—	—	—	—	—	10×25	H6	0.20	0.84	531	
120	10×16	H4	0.31	1.5	357	12.5×20	I5	0.16	0.64	690	
180	10×20	H5	0.21	0.94	466	12.5×25	I6	0.120	0.45	784	
220	10×25	H6	0.20	0.84	531	16×20	J5	0.091	0.38	1040	
270	12.5×20	I5	0.16	0.64	690	16×25	J6	0.073	0.27	1250	
330	12.5×25	I6	0.12	0.45	784	—	—	—	—	—	
390	16×20	J5	0.091	0.38	1040	—	—	—	—	—	
470	16×20	J5	0.091	0.38	1040	—	—	—	—	—	
560	16×25	J6	0.073	0.27	1250	—	—	—	—	—	

(Note) Rated ripple current : 105°C, 100kHz ; Impedance : 100kHz

105°C Use, Miniature, Long Life, Extra Low Impedance Capacitors

GREEN CAP	Low Impedance	105°C 10000hours	Anti-cleaning solvent
-----------	---------------	------------------	-----------------------

- Long life than RJF series.
- Guarantees 10000 hours at 105°C.
($\phi 5$: 5000 hours, $\phi 6.3$: 6000 hours, $\phi 8$: 8000 hours)



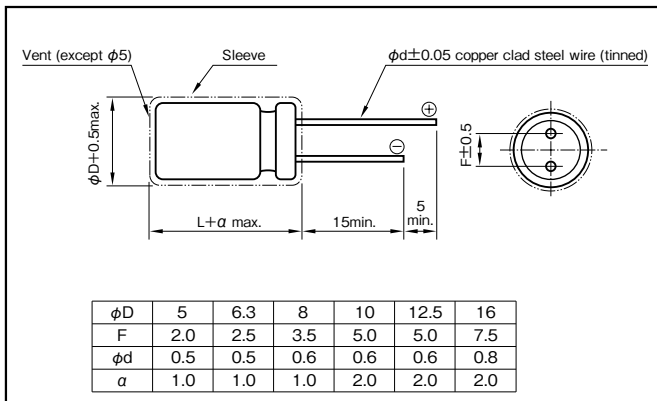
Marking color : White print on a black sleeve

Specifications

Item	Performance																				
Category temperature range (°C)	-40 to +105																				
Tolerance at rated capacitance (%)	±20 (20°C, 120Hz)																				
Leakage current (µA)	Less than 0.01CV or 3 whichever is larger (after 2 minutes) C : Rated capacitance (µF), V : Rated voltage (V) (20°C)																				
Tangent of loss angle (tanδ)	<table border="1"> <tr> <td>Rated voltage (V)</td> <td>6.3</td> <td>10</td> <td>16</td> <td>25</td> <td>35</td> <td>50</td> </tr> <tr> <td>tanδ (max.)</td> <td>0.22</td> <td>0.19</td> <td>0.16</td> <td>0.14</td> <td>0.12</td> <td>0.10</td> </tr> </table>	Rated voltage (V)	6.3	10	16	25	35	50	tanδ (max.)	0.22	0.19	0.16	0.14	0.12	0.10						
	Rated voltage (V)	6.3	10	16	25	35	50														
tanδ (max.)	0.22	0.19	0.16	0.14	0.12	0.10															
0.02 is added to every 1000µF increase over 1000µF. (20°C, 120Hz)																					
Characteristics at high and low temperature	<table border="1"> <tr> <td>Rated voltage (V)</td> <td>6.3</td> <td>10</td> <td>16</td> <td>25</td> <td>35</td> <td>50</td> </tr> <tr> <td rowspan="2">Impedance ratio (max.)</td> <td>Z-25°C/Z+20°C</td> <td>2</td> <td>2</td> <td>2</td> <td>2</td> <td>2</td> </tr> <tr> <td>Z-40°C/Z+20°C</td> <td>3</td> <td>3</td> <td>3</td> <td>3</td> <td>3</td> </tr> </table>	Rated voltage (V)	6.3	10	16	25	35	50	Impedance ratio (max.)	Z-25°C/Z+20°C	2	2	2	2	2	Z-40°C/Z+20°C	3	3	3	3	3
	Rated voltage (V)	6.3	10	16	25	35	50														
Impedance ratio (max.)	Z-25°C/Z+20°C	2	2	2	2	2															
	Z-40°C/Z+20°C	3	3	3	3	3															
(120Hz)																					
Endurance (105°C) (Applied ripple current)	Test time	<ul style="list-style-type: none"> $\phi 5$: 5000 hours $\phi 6.3$: 6000 hours $\phi 8$: 8000 hours $\phi 10$ or more : 10000 hours 																			
	Leakage current	The initial specified value or less																			
	Percentage of capacitance change	Within ±25% of initial value ($\phi 6.3$ or less: ±30%)																			
	Tangent of the loss angle	200% or less of the initial specified value ($\phi 6.3$ or less: 300%)																			
Shelf life (105°C)	Test time	1000 hours																			
	Leakage current	The initial specified value or less																			
	Percentage of capacitance change	Within ±25% of initial value ($\phi 6.3$ or less: ±30%)																			
	Tangent of the loss angle	200% or less of the initial specified value ($\phi 6.3$ or less: 300%)																			
Voltage application treatment																					
Applicable standards	JIS C5101-1, -4 1998 (IEC 60384-1 1992, -4 1985)																				

Outline Drawing

Unit : mm



Coefficient of Frequency for Rated Ripple Current

Rated capacitance (µF)	Frequency (Hz)			
	120	1k	10k	100k
27 to 33	0.42	0.70	0.90	1
47 to 270	0.50	0.73	0.92	1
330 to 680	0.55	0.77	0.94	1
820 to 1800	0.60	0.80	0.96	1
2200 to 8200	0.70	0.85	0.98	1

Part numbering system (example : 10V1000µF)

RJM	—	10	V	102	M	G4	#	—	□
Series code		Rated voltage symbol		Rated capacitance symbol	Capacitance tolerance symbol	Casing symbol			Taping/Forming symbol

Standard Ratings

Rated voltage(V) Rated capacitance (μF)	Item	6.3					10					16				
		Case φ DxL (mm)	Casing symbol	Impedance (Ωmax.)		Rated ripple current (mA rms)	Case φ DxL (mm)	Casing symbol	Impedance (Ωmax.)		Rated ripple current (mA rms)	Case φ DxL (mm)	Casing symbol	Impedance (Ωmax.)		Rated ripple current (mA rms)
				20°C	-10°C				20°C	-10°C				20°C	-10°C	
82	—	—	—	—	—	—	—	—	—	—	5×11.5	E3	0.22	0.80	345	
100	—	—	—	—	—	5×11.5	E3	0.22	0.80	345	5×11.5	E3	0.22	0.80	345	
120	—	—	—	—	—	5×11.5	E3	0.22	0.80	345	—	—	—	—	—	
150	5×11.5	E3	0.22	0.80	345	5×11.5	E3	0.22	0.80	345	—	—	—	—	—	
180	—	—	—	—	—	—	—	—	—	—	6.3×11.5	F3	0.094	0.35	540	
220	5×11.5	E3	0.22	0.80	345	6.3×11.5	F3	0.094	0.35	540	6.3×11.5	F3	0.094	0.35	540	
270	—	—	—	—	—	6.3×11.5	F3	0.094	0.35	540	—	—	—	—	—	
330	6.3×11.5	F3	0.094	0.35	540	6.3×11.5	F3	0.094	0.35	540	—	—	—	—	—	
470	6.3×11.5	F3	0.094	0.35	540	—	—	—	—	—	8×12	G3	0.056	0.19	945	
680	—	—	—	—	—	8×12	G3	0.056	0.19	945	8×15	G4	0.045	0.15	1250	
820	8×12	G3	0.056	0.19	945	—	—	—	—	—	10×12.5	H3	0.039	0.14	1560	
1000	—	—	—	—	—	8×15	G4	0.045	0.15	1250	8×20	G5	0.029	0.11	1500	
1200	—	—	—	—	—	10×12.5	H3	0.039	0.14	1560	10×16	H4	0.028	0.10	2000	
1500	8×15	G4	0.045	0.15	1250	—	—	—	—	—	—	—	—	—	—	
1800	10×16	H4	0.028	0.10	2000	8×20	G5	0.029	0.11	1500	10×20	H5	0.020	0.060	2500	
2200	10×20	H5	0.020	0.060	2500	10×16	H4	0.028	0.10	2000	10×20	H5	0.020	0.060	2500	
2700	10×25	H6	0.017	0.051	2900	10×25	H6	0.017	0.051	2900	10×25	H6	0.017	0.051	2900	
3300	—	—	—	—	—	10×25	H6	0.017	0.051	2900	12.5×20	I5	0.017	0.043	2600	
3900	12.5×20	I5	0.017	0.043	2600	12.5×20	I5	0.017	0.043	2600	12.5×20	I5	0.017	0.043	2600	
4700	12.5×25	I6	0.015	0.038	3200	12.5×25	I6	0.015	0.038	3200	12.5×25	I6	0.015	0.038	3200	
5600	12.5×30	I7	0.013	0.033	3450	12.5×30	I7	0.013	0.033	3450	12.5×30	I7	0.013	0.033	3450	
6800	12.5×35	I8	0.012	0.031	3610	16×20	J5	0.015	0.038	3575	12.5×35	I8	0.012	0.031	3610	
8200	16×25	J6	0.013	0.035	3810	16×25	J6	0.013	0.035	3810	16×25	J6	0.013	0.035	3810	

Rated voltage(V) Rated capacitance (μF)	Item	25					35					50				
		Case φ DxL (mm)	Casing symbol	Impedance (Ωmax.)		Rated ripple current (mA rms)	Case φ DxL (mm)	Casing symbol	Impedance (Ωmax.)		Rated ripple current (mA rms)	Case φ DxL (mm)	Casing symbol	Impedance (Ωmax.)		Rated ripple current (mA rms)
				20°C	-10°C				20°C	-10°C				20°C	-10°C	
27	—	—	—	—	—	—	—	—	—	—	5×11.5	E3	0.34	1.18	238	
39	5×11.5	E3	0.22	0.80	345	5×11.5	E3	0.22	0.80	345	6.3×11.5	F3	0.14	0.50	385	
47	—	—	—	—	—	5×11.5	E3	0.22	0.80	345	—	—	—	—	—	
56	5×11.5	E3	0.22	0.80	345	—	—	—	—	—	6.3×11.5	F3	0.14	0.50	385	
68	5×11.5	E3	0.22	0.80	345	—	—	—	—	—	—	—	—	—	—	
82	5×11.5	E3	0.22	0.80	345	6.3×11.5	F3	0.094	0.35	540	—	—	—	—	—	
100	6.3×11.5	F3	0.094	0.35	540	6.3×11.5	F3	0.094	0.35	540	8×12	G3	0.074	0.22	724	
120	6.3×11.5	F3	0.094	0.35	540	—	—	—	—	—	8×15	G4	0.061	0.18	950	
150	6.3×11.5	F3	0.094	0.35	540	—	—	—	—	—	10×12.5	H3	0.061	0.18	1250	
180	—	—	—	—	—	—	—	—	—	—	8×20	G5	0.046	0.14	1190	
220	—	—	—	—	—	8×12	G3	0.056	0.19	945	10×16	H4	0.042	0.12	1650	
270	—	—	—	—	—	8×15	G4	0.045	0.15	1250	10×20	H5	0.030	0.090	2060	
330	8×12	G3	0.056	0.19	945	10×12.5	H3	0.039	0.14	1560	10×25	H6	0.028	0.084	2420	
390	8×15	G4	0.045	0.15	1250	8×20	G5	0.029	0.11	1500	—	—	—	—	—	
470	10×12.5	H3	0.039	0.14	1560	10×16	H4	0.028	0.10	2000	12.5×20	I5	0.027	0.068	2300	
560	8×20	G5	0.029	0.11	1500	10×20	H5	0.020	0.060	2500	12.5×25	I6	0.023	0.059	2800	
680	10×16	H4	0.028	0.10	2000	10×25	H6	0.017	0.051	2900	12.5×30	I7	0.021	0.052	3360	
820	10×20	H5	0.020	0.060	2500	—	—	—	—	—	12.5×35	I8	0.019	0.051	3810	
1000	10×25	H6	0.017	0.051	2900	12.5×20	I5	0.017	0.043	2600	16×20	J5	0.023	0.059	3070	
1200	—	—	—	—	—	12.5×25	I6	0.015	0.038	3200	16×25	J6	0.021	0.056	3270	
1500	12.5×20	I5	0.017	0.043	2600	12.5×30	I7	0.013	0.033	3450	—	—	—	—	—	
1800	12.5×25	I6	0.015	0.038	3200	16×20	J5	0.015	0.038	3575	—	—	—	—	—	
2200	12.5×30	I7	0.013	0.033	3450	12.5×35	I8	0.012	0.031	3610	—	—	—	—	—	
2700	12.5×35	I8	0.012	0.031	3610	16×25	J6	0.013	0.035	3810	—	—	—	—	—	
3300	16×25	J6	0.013	0.035	3810	—	—	—	—	—	—	—	—	—	—	

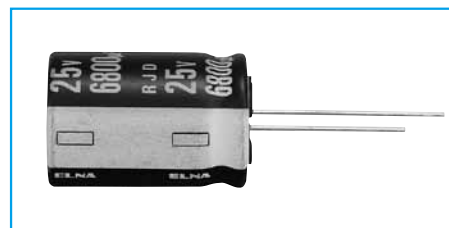
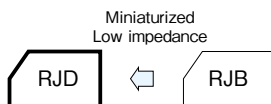
(Note) Rated ripple current : 105°C , 100kHz ; Impedance : 100kHz

NOTE : Design, Specifications are subject to change without notice.
It is recommended that you shall obtain technical specifications from ELNA to ensure that the component is suitable for your use.

105°C Use, miniature, Hi-Reliability, Low ESR Capacitors

GREEN CAP	Low ESR	105°C 8000hours	Anti-cleaning solvent
-----------	---------	-----------------	-----------------------

- Smaller and higher ripple current than RJB series.
- Guarantees 8000 hours at 105°C.
($\phi 5$ to 6.3 : 2000 hours; $\phi 8$: 3000 hours; $\phi 10$: 5000 hours)



Marking color : White print on a black sleeve

Specifications

Item	Performance									
Category temperature range (°C)	-55 to +105									
Tolerance at rated capacitance (%)	±20 (20°C, 120Hz)									
Leakage current (µA)	Less than 0.01CV or 3 whichever is larger (after 2 minutes) C : Rated capacitance (µF), V : Rated voltage (V) (20°C)									
Tangent of loss angle (tanδ)	Rated voltage (V)	6.3	10	16	25	35	50	63	80	100
	tanδ (max.)	0.22	0.19	0.16	0.14	0.12	0.10	0.10	0.08	0.08
0.02 is added to every 1000µF increase over 1000µF. (20°C, 120Hz)										
Characteristics at high and low temperature	Rated voltage (V)	6.3	10	16	25	35	50	63	80	100
	Impedance ratio (max.)	Z-55°C/Z+20°C	3	3	3	3	3	3	3	3
(120Hz)										
Endurance (105°C) (Applied ripple current)	Test time	$\phi 5$ & 6.3 : 2000 hours $\phi 8$: 3000 hours $\phi 10$: 5000 hours $\phi 12.5$ to $\phi 20$: 8000 hours								
	Leakage current	The initial specified value or less								
	Percentage of capacitance change	Within ±20% of initial value								
	Tangent of the loss angle	200% or less of the initial specified value								
Shelf life (105°C)	Test time : 1000 hours ; other items are the same as those for the endurance. Voltage application treatment: According to JIS C5101 -1									
Applicable standards	JIS C5101-1, -4 1998 (IEC 60384-1 1992, -4 1985)									

Outline Drawing

Unit : mm

Vent (except $\phi 5$)
Sleeve
 $\phi d \pm 0.05$ copper clad steel wire (tinned)

$\phi D \pm 0.5 \text{ max.}$
 $L + a \text{ max.}$
15 min.
5 min.

ϕD	5	6.3	8	10	12.5	16	18	20
F	2.0	2.5	3.5	5.0	5.0	7.5	7.5	10.0
ϕd	0.5	0.5	0.6	0.6	0.6	0.8	0.8	1.0
a	1.0	1.0	1.0	2.0	2.0	2.0	2.0	2.0

(Note) Whisker preventive structure is possible for $\phi 8$ or more.

Coefficient of Frequency for Rated Ripple Current

Rated Capacitance (µF)	Frequency (Hz)				
	50 · 60	120	300	1k	10k · 100k
56 or less	0.20	0.30	0.50	0.80	1
68 to 330	0.55	0.65	0.75	0.85	1
390 to 1000	0.70	0.75	0.80	0.90	1
1200 to 18000	0.80	0.85	0.90	0.95	1

Part numbering system (example : 6.3V10000µF)

RJD	—	6	V	103	M	J7	#	—	
Series code		Rated voltage symbol		Rated capacitance symbol	Capacitance tolerance symbol	Casing symbol			Taping(Forming) symbol

If it is whisker preventive structure, should change “#” into “G”.

Standard Ratings

Rated voltage(V) Rated capacitance(μF)	Item	6.3				10				16						
		Case φD×L (mm)	Casing symbol	ESR (Ω max.)		Rated ripple current (mArms)	Case φD×L (mm)	Casing symbol	ESR (Ω max.)		Rated ripple current (mArms)	Case φD×L (mm)	Casing symbol	ESR (Ω max.)		Rated ripple current (mArms)
				20°C	-10°C				20°C	-10°C				20°C	-10°C	
22	—	—	—	—	—	—	—	—	—	—	5×11.5	E3	0.5	1.0	182	
33	—	—	—	—	—	—	—	—	—	—	5×11.5	E3	0.5	1.0	182	
47	—	—	—	—	—	—	—	—	—	—	5×11.5	E3	0.5	1.0	182	
82	—	—	—	—	—	—	—	—	—	—	5×11.5	E3	0.5	1.0	182	
100	—	—	—	—	—	5×11.5	E3	0.5	1.0	182	6.3×11.5	F3	0.25	0.50	295	
150	5×11.5	E3	0.50	1.0	182	—	—	—	—	—	6.3×11.5	F3	0.25	0.50	295	
180	—	—	—	—	—	6.3×11.5	F3	0.25	0.50	295	8×12	G3	0.117	0.234	567	
220	—	—	—	—	—	6.3×11.5	F3	0.25	0.50	295	8×12	G3	0.117	0.234	567	
330	6.3×11.5	F3	0.25	0.50	295	8×12	G3	0.117	0.234	567	8×12	G3	0.117	0.234	567	
390	—	—	—	—	—	—	—	—	—	—	8×12	G3	0.117	0.234	567	
470	8×12	G3	0.117	0.234	567	8×12	G3	0.117	0.234	567	8×15	G4	0.085	0.170	733	
											10×12.5	H3	0.090	0.180	764	
560	8×12	G3	0.117	0.234	567	8×12	G3	0.117	0.234	567	8×20	G5	0.065	0.130	996	
680	8×12	G3	0.117	0.234	567	—	—	—	—	—	8×15	G4	0.085	0.170	733	
											10×12.5	H3	0.090	0.180	764	
820	—	—	—	—	—	8×15	G4	0.085	0.170	733	8×20	G5	0.065	0.130	996	
						10×12.5	H3	0.090	0.180	764	10×16	H4	0.068	0.136	1060	
1000	8×15	G4	0.085	0.170	733	8×20	G5	0.065	0.130	996	10×16	H4	0.068	0.136	1060	
	10×12.5	H3	0.090	0.180	764	10×12.5	H3	0.090	0.180	764	10×20	H5	0.052	0.104	1230	
						10×16	H4	0.068	0.136	1060	10×20	H5	0.052	0.104	1230	
1200	10×12.5	H3	0.090	0.180	764	8×20	G5	0.065	0.130	996	10×20	H5	0.052	0.104	1230	
	10×16	H4	0.068	0.136	1060	10×16	H4	0.068	0.136	1060	10×25	H6	0.045	0.090	1450	
1500	8×20	G5	0.065	0.130	996	10×20	H5	0.052	0.104	1230	10×25	H6	0.045	0.090	1450	
	10×16	H4	0.068	0.136	1060	12.5×15	I4	0.062	0.124	1210	10×30	H7	0.035	0.070	1830	
1800	12.5×15	I4	0.062	0.124	1210	10×20	H5	0.052	0.104	1230	—	—	—	—	—	
						10×25	H6	0.045	0.090	1450	10×30	H7	0.035	0.070	1830	
2200	10×20	H5	0.052	0.104	1230	10×25	H6	0.045	0.090	1450	12.5×20	I5	0.038	0.076	1700	
	10×25	H6	0.045	0.090	1450	12.5×20	I5	0.038	0.076	1700	16×16	J4	0.043	0.086	1700	
2700	10×25	H6	0.045	0.090	1450	10×30	H7	0.035	0.070	1830	12.5×25	I6	0.030	0.060	1950	
						12.5×20	I5	0.038	0.076	1700	18×16	K4	0.038	0.076	2010	
3300	10×30	H7	0.035	0.070	1830	12.5×25	I6	0.030	0.060	1950	12.5×30	I7	0.025	0.050	2330	
	12.5×20	I5	0.038	0.076	1700	12.5×25	I6	0.030	0.060	1950	16×20	J5	0.029	0.058	2230	
3900	12.5×25	I6	0.030	0.060	1950	12.5×25	I6	0.030	0.060	1950	12.5×35	I8	0.022	0.044	2620	
						18×16	K4	0.038	0.076	2010	16×20	J5	0.029	0.058	2230	
4700	12.5×25	I6	0.030	0.060	1950	12.5×30	I7	0.025	0.050	2330	12.5×40	I9	0.017	0.034	3160	
	18×16	K4	0.038	0.076	2010	16×20	J5	0.029	0.058	2230	16×25	J6	0.022	0.044	2650	
											18×20	K5	0.028	0.056	2500	
5600	12.5×30	I7	0.025	0.050	2330	12.5×35	I8	0.022	0.044	2620	16×25	J6	0.022	0.044	2650	
	16×20	J5	0.029	0.058	2230	12.5×35	I8	0.022	0.044	2620	16×31.5	J7	0.018	0.036	3210	
6800	12.5×35	I8	0.022	0.044	2620	12.5×40	I9	0.017	0.034	3160	18×25	K6	0.020	0.040	3000	
						16×25	J6	0.022	0.044	2650	18×25	K6	0.020	0.040	3000	
8200	12.5×40	I9	0.017	0.034	3160	16×31.5	J7	0.018	0.036	3210	18×35.5	K8	0.015	0.030	3960	
	16×25	J6	0.022	0.044	2650	18×25	K6	0.020	0.040	3000	18×40	K9	0.014	0.028	4300	
	18×20	K5	0.028	0.056	2500	16×40	J9	0.015	0.030	3880	18×40	K9	0.014	0.028	4300	
10000	16×31.5	J7	0.018	0.036	3210	18×35.5	K8	0.015	0.030	3960	—	—	—	—	—	
	18×25	K6	0.020	0.040	3000	—	—	—	—	—	—	—	—	—	—	
12000	18×25	K6	0.020	0.040	3000	—	—	—	—	—	—	—	—	—	—	
15000	18×35.5	K8	0.015	0.030	3960	18×40	K9	0.014	0.028	4300	—	—	—	—	—	
18000	18×40	K9	0.014	0.028	4300	—	—	—	—	—	—	—	—	—	—	

(Note) Rated ripple current : 105°C , 100kHz ; ESR : 100kHz

Standard Ratings

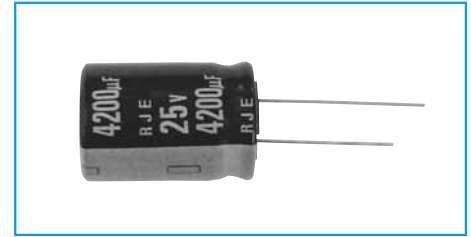
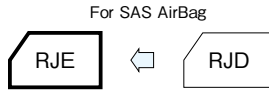
Rated voltage(V)	Item	25					35					50				
		Case φD×L (mm)	Casing symbol	ESR (Ω max.)		Rated ripple current (mA rms)	Case φD×L (mm)	Casing symbol	ESR (Ω max.)		Rated ripple current (mA rms)	Case φD×L (mm)	Casing symbol	ESR (Ω max.)		Rated ripple current (mA rms)
				20°C	-10°C				20°C	-10°C				20°C	-10°C	
10	5×11.5	E3	0.50	1.0	182	5×11.5	E3	0.50	1.0	182	5×11.5	E3	0.90	1.8	173	
22	5×11.5	E3	0.50	1.0	182	5×11.5	E3	0.50	1.0	182	5×11.5	E3	0.90	1.8	173	
27	5×11.5	E3	0.50	1.0	182	5×11.5	E3	0.50	1.0	182	5×11.5	E3	0.90	1.8	173	
33	5×11.5	E3	0.50	1.0	182	5×11.5	E3	0.50	1.0	182	6.3×11.5	F3	0.40	0.80	285	
47	5×11.5	E3	0.50	1.0	182	6.3×11.5	F3	0.25	0.50	295	6.3×11.5	F3	0.40	0.80	285	
56	5×11.5	E3	0.50	1.0	182	6.3×11.5	F3	0.25	0.50	295	6.3×11.5	F3	0.40	0.80	285	
82	6.3×11.5	F3	0.25	0.50	295	6.3×11.5	F3	0.25	0.50	295	8×12	G3	0.19	0.38	508	
100	6.3×11.5	F3	0.25	0.50	295	8×12	G3	0.117	0.234	567	8×15	G4	0.155	0.31	636	
150	8×12	G3	0.117	0.234	567	8×12	G3	0.117	0.234	567	10×12.5	H3	0.17	0.34	628	
180	—	—	—	—	—	8×12	G3	0.117	0.234	567	10×12.5	H3	0.17	0.34	628	
220	8×12	G3	0.117	0.234	567	8×15	G4	0.085	0.170	733	10×16	H4	0.119	0.238	850	
270	8×12	G3	0.117	0.234	567	8×15	G4	0.085	0.170	733	10×20	H5	0.081	0.162	1120	
330	8×12	G3	0.117	0.234	567	10×12.5	H3	0.090	0.180	764	10×20	H5	0.081	0.162	1120	
	10×12.5	H3	0.090	0.180	764	8×20	G5	0.065	0.130	996	12.5×15	I4	0.09	0.18	1170	
390	8×15	G4	0.085	0.170	733	8×20	G5	0.065	0.130	996	—	—	—	—	—	
	8×15	G4	0.085	0.170	733	10×16	H4	0.068	0.136	1060	—	—	—	—	—	
470	8×15	G4	0.085	0.170	733	10×16	H4	0.068	0.136	1060	12.5×20	I5	0.057	0.114	1540	
	10×12.5	H3	0.090	0.180	764	10×20	H5	0.052	0.104	1230	12.5×25	I6	0.042	0.084	1910	
560	8×20	G5	0.065	0.130	996	10×20	H5	0.052	0.104	1230	12.5×25	I6	0.042	0.084	1910	
	10×16	H4	0.068	0.136	1060	12.5×15	I4	0.062	0.124	1210	18×20	K5	0.034	0.068	2420	
680	10×16	H4	0.068	0.136	1060	10×25	H6	0.045	0.090	1450	18×20	K5	0.034	0.068	2420	
820	10×20	H5	0.052	0.104	1230	12.5×20	I5	0.038	0.076	1700	18×20	K5	0.034	0.068	2420	
	12.5×15	I4	0.062	0.124	1210	12.5×20	I5	0.038	0.076	1700	18×20	K5	0.034	0.068	2420	
1000	10×25	H6	0.045	0.090	1450	10×30	H7	0.035	0.070	1830	16×25	J6	0.031	0.062	2450	
	12.5×20	I5	0.038	0.076	1700	12.5×20	I5	0.038	0.076	1700	18×20	K5	0.034	0.068	2420	
1200	12.5×20	I5	0.038	0.076	1700	12.5×25	I6	0.030	0.060	1950	18×25	K6	0.029	0.058	2750	
	12.5×20	I5	0.038	0.076	1700	18×16	K4	0.038	0.076	2010	16×31.5	J7	0.027	0.054	3100	
1500	10×30	H7	0.035	0.070	1830	12.5×30	K4	0.038	0.076	2010	16×31.5	J7	0.027	0.054	3100	
	16×16	J4	0.043	0.086	1700	16×20	J5	0.029	0.058	2230	18×25	K6	0.029	0.058	2750	
1800	12.5×25	I6	0.030	0.060	1950	16×20	J5	0.029	0.058	2230	16×35.5	J8	0.023	0.046	3530	
	18×16	K4	0.038	0.076	2010	12.5×35	I8	0.022	0.044	2620	18×31.5	K7	0.025	0.050	3200	
2200	12.5×30	I7	0.025	0.050	2330	16×20	J5	0.029	0.058	2230	16×40	J9	0.020	0.040	3830	
	16×20	J5	0.029	0.058	2230	16×25	J6	0.022	0.044	2650	18×35.5	K8	0.022	0.044	3670	
2700	12.5×35	I8	0.022	0.044	2620	18×20	K5	0.028	0.056	2500	18×40	K9	0.018	0.036	4160	
	18×25	K6	0.020	0.040	3000	16×31.5	J7	0.018	0.036	3210	—	—	—	—	—	
3300	12.5×40	I9	0.017	0.034	3160	18×25	K6	0.020	0.040	3000	—	—	—	—	—	
	16×25	J6	0.022	0.044	2650	18×25	K6	0.020	0.040	3000	—	—	—	—	—	
3900	18×20	K5	0.028	0.056	2500	18×31.5	K7	0.016	0.032	3660	—	—	—	—	—	
	—	—	—	—	—	18×35.5	K8	0.015	0.030	3960	—	—	—	—	—	
4700	18×25	K6	0.020	0.040	3000	18×40	K9	0.014	0.028	4300	—	—	—	—	—	
	18×25	K6	0.020	0.040	3000	20×25	L6	0.019	0.038	3920	—	—	—	—	—	
5600	18×35.5	K8	0.015	0.030	3960	18×35.5	K8	0.015	0.030	3960	—	—	—	—	—	
	20×25	L6	0.019	0.038	3920	18×40	K9	0.014	0.028	4300	—	—	—	—	—	
6800	18×35.5	K8	0.015	0.030	3960	20×30	L7	0.018	0.036	4270	—	—	—	—	—	
	20×30	L7	0.018	0.036	4270	18×40	K9	0.014	0.028	4300	—	—	—	—	—	
8200	20×35.5	L8	0.014	0.028	5250	20×40	L9	0.013	0.026	5680	—	—	—	—	—	
	20×35.5	L8	0.014	0.028	5250	18×40	K9	0.014	0.028	4300	—	—	—	—	—	
10000	18×40	K9	0.014	0.028	4300	20×40	L9	0.013	0.026	5680	—	—	—	—	—	
	20×40	L9	0.013	0.026	5680	—	—	—	—	—	—	—	—	—	—	

Rated voltage(V)	Item	63					80					100				
		Case φD×L (mm)	Casing symbol	ESR (Ω max.)		Rated ripple current (mA rms)	Case φD×L (mm)	Casing symbol	ESR (Ω max.)		Rated ripple current (mA rms)	Case φD×L (mm)	Casing symbol	ESR (Ω max.)		Rated ripple current (mA rms)
				20°C	-10°C				20°C	-10°C				20°C	-10°C	
10	5×11.5	E3	1.1	2.2	162	5×11.5	E3	1.90	3.8	123	6.3×11.5	F3	1.1	2.2	186	
22	6.3×11.5	F3	0.54	1.1	265	8×12	G3	0.53	1.1	315	8×12	G3	0.53	1.1	315	
27	6.3×11.5	F3	0.54	1.1	265	—	—	—	—	—	—	—	—	—	—	
33	6.3×11.5	F3	0.54	1.1	265	8×12	G3	0.53	1.1	315	8×15	G4	0.35	0.70	423	
47	8×12	G3	0.32	0.64	406	8×15	G4	0.35	0.70	423	10×12.5	H3	0.47	0.94	392	
56	8×12	G3	0.32	0.64	406	10×12.5	H3	0.47	0.94	392	10×16	H4	0.32	0.64	520	
82	8×20	G5	0.17	0.34	682	10×16	H4	0.32	0.64	520	10×20	H5	0.25	0.50	640	
100	10×16	H4	0.17	0.34	710	10×20	H5	0.25	0.50	640	10×25	H6	0.155	0.31	636	
150	10×20	H5	0.12	0.24	920	12.5×20	I5	0.13	0.26	1010	12.5×25	I6	0.11	0.22	1200	
180	10×25	H6	0.10	0.20	1110	—	—	—	—	—	—	—	—	—	—	
220	12.5×20	I5	0.075	0.15	1340	12.5×25	I6	0.11	0.22	1200	12.5×30	I7	0.090	0.18	1440	
330	12.5×25	I6	0.065	0.13	1730	12.5×30	I7	0.090	0.18	1440	16×25	J6	0.090	0.18	1440	
470	12.5×30	I7	0.055	0.11	2110	16×31.5	J7	0.059	0.118	2100	16×35.5	J8	0.052	0.104	2340	
	16×25	J6	0.052	0.104	2180	18×25	K6	0.064	0.128	1980	18×31.5	K7	0.054	0.108	2350	
560	16×25	J6	0.052	0.104	2180	16×31.5	J7	0.059	0.118	2100	16×40	J9	0.045	0.090	2650	
	18×20	K5	0.058	0.116	2290	18×25	K6	0.064	0.128	1980	18×35.5	K8	0.044	0.088	2730	
680	16×31.5	J7	0.042	0.084	2710	16×35.5	J8	0.052	0.104	2340	16×40	J9	0.045	0.090	2650	
	18×25	K6	0.050	0.10	2610	18×31.5	K7	0.054	0.108	2350	18×35.5	K8	0.044	0.088	2730	
820	16×31.5	J7	0.042	0.084	2710	16×40	J9	0.045	0.090	2650	18×40	K9	0.039	0.078	3050	
	18×25	K6	0.050	0.10	2610	18×35.5	K8	0.044	0.088	2730	—	—	—	—	—	
1000	16×35.5	J8	0.036	0.072	2820	18×40	K9	0.039	0.078	3050	—	—	—	—	—	
	18×31.5	K7	0.042	0.084	3080	—	—	—	—	—	—	—	—	—	—	
1500	18×35.5	K8	0.035	0.070	3530	—	—	—	—	—	—	—	—	—	—	
1800	18×40	K9	0.032	0.064	3880	—	—	—	—	—	—	—	—	—	—	

(Note) Rated ripple current : 105°C, 100kHz ; ESR : 100kHz

For AirBag GREEN CAP 105°C 5000hours Anti-cleaning solvent For AirBag

- For AirBag application
- High capacitance, low impedance, and good low temperature behavior
- Guarantees 5000 hours at 105°C.



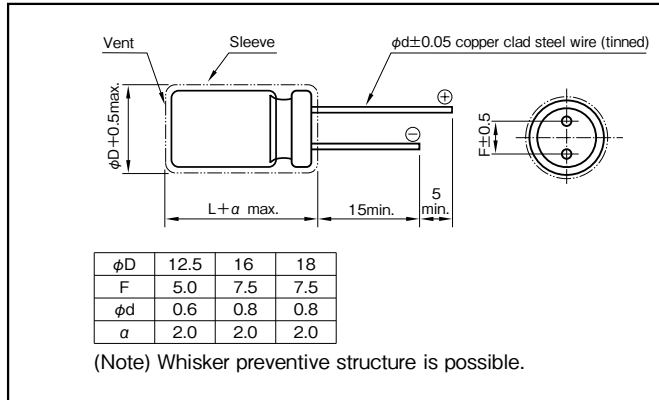
Marking color : White print on a black sleeve

Specifications

Item	Performance		
Category temperature range (°C)	-55 to +105		
Tolerance at rated capacitance (%)	0 to +30 (20°C,120Hz)		
Leakage current (µA)	Less than 0.01CV (after 2 minutes) C : Rated capacitance (µF) , V : Rated voltage (V) (20°C)		
Tangent of loss angle (tanδ)	Rated voltage (V)	25	35
	tanδ (max.)	0.20	0.16
0.02 is added to every 1000µF increase over 1000µF (20°C,120Hz)			
Characteristics at high and low temperature	Rated voltage (V)	25	35
	Impedance ratio (max.) Z-55°C/Z+20°C	0.20	0.16
(120Hz)			
Endurance (105°C)	Test time	5000 hours	
	Leakage current	The initial specified value or less	
	Percentage of capacitance change	Within ±30% of initial value	
	Tangent of loss angle	300% or less of the initial specified value	
Shelf life (105°C)	Test time : 1000 hours ; other items are the same as those for the endurance. Voltage application treatment		
Applicable standards	JIS C5101-1, -4 1998 (IEC 60384-1 1992, -4 1985)		

Outline Drawing

Unit : mm



Coefficient of Frequency for Rated Ripple Current

Frequency (Hz)	50 · 60	120	1k	10k·100k
Rated capacitance (µF)				
830 to 1100	0.70	0.75	0.90	1
1200 to 11000	0.80	0.85	0.95	1

Part numbering system (example : 25V422 A I9 (#)Q - □)

RJE	—	25	V	422	A	I9	(#)	Q	—	□
Series code		Rated voltage symbol		Rated capacitance symbol	Capacitance tolerance symbol	Casing symbol	Optional symbol			Taping(Forming) symbol

If it is whisker preventive structure, should change “#” into “G”.

Standard Ratings

Case size φD×L (mm)	Casing symbol	Rated voltage(V)		25			35			
		Item	Capacitance (µF)	ESR Ω (max.) / 100kHz		Rated ripple current (mA rms)	Capacitance (µF)	ESR Ω (max.) / 100kHz		Rated ripple current (mA rms)
				20°C	-40°C			20°C	-40°C	
12.5×15	I4	1100	0.174	0.52	1210	830	0.174	0.52	1210	
12.5×20	I5	1800	0.107	0.27	1670	1300	0.107	0.27	1670	
12.5×25	I6	2400	0.084	0.21	1950	1600	0.084	0.21	1950	
12.5×30	I7	3200	0.070	0.18	2330	2200	0.070	0.18	2330	
12.5×35	I8	3700	0.062	0.16	2620	2500	0.062	0.16	2620	
12.5×40	I9	4200	0.048	0.12	3160	2900	0.048	0.12	3160	
16×16	J4	2100	0.121	0.36	1700	1500	0.121	0.36	1700	
16×20	J5	3100	0.082	0.21	2230	2100	0.082	0.21	2230	
16×25	J6	4300	0.062	0.16	2650	3000	0.062	0.16	2650	
16×31.5	J7	5800	0.051	0.13	3210	4000	0.051	0.13	3210	
16×35.5	J8	6800	0.045	0.11	3570	4600	0.045	0.11	3570	
16×40	J9	7800	0.042	0.11	3880	5300	0.042	0.11	3880	
18×16	K4	3000	0.107	0.32	2010	2100	0.107	0.32	2010	
18×20	K5	4300	0.079	0.20	2500	3000	0.079	0.20	2500	
18×25	K6	6000	0.056	0.14	3000	4200	0.056	0.14	3000	
18×31.5	K7	8000	0.045	0.11	3660	5600	0.045	0.11	3660	
18×35.5	K8	9300	0.042	0.11	3960	6500	0.042	0.11	3960	
18×40	K9	11000	0.040	0.10	4300	7400	0.040	0.10	4300	

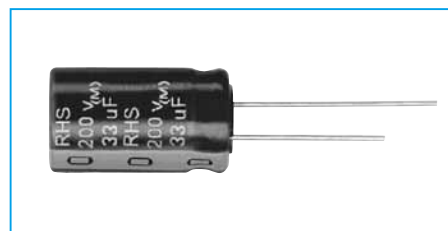
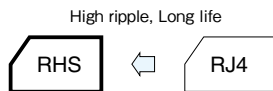
(Note) Rated ripple current : 105°C, 100kHz

NOTE : Design, Specifications are subject to change without notice. It is recommended that you shall obtain technical specifications from ELNA to ensure that the component is suitable for your use.

105°C Use, Miniature, High-Ripple, Long Life Capacitors

GREEN CAP 105°C 5000hours

- Higher ripple current.
- Guarantees 4000 to 5000 hours at 105°C.
- Best-suited to electronic ballast.



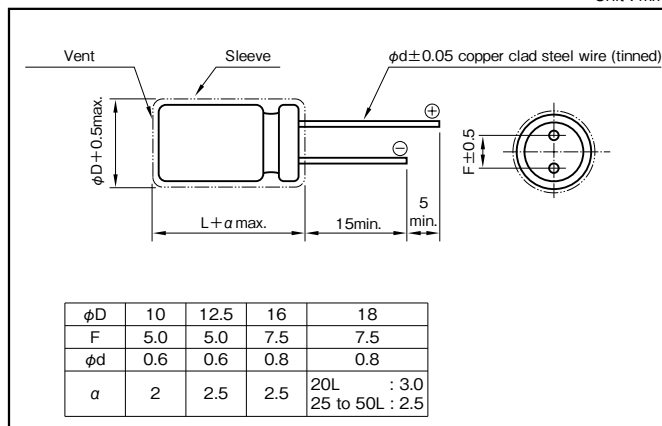
Marking color : White print on a black sleeve

Specifications

Item	Performance														
Category temperature range (°C)	-40 to +105 (-25 to +105 at 350V or more)														
Rated Voltage (V)	160 to 450														
Tolerance at rated capacitance (%)	±20 (20°C,120Hz)														
Leakage current (μA)	CV≥1000 : Less than 0.06CV+40 (after 1 minutes) CV<1000 : Less than 0.03CV+70 (after 1 minutes) C : Rated capacitance (μF), V : Rated voltage (V) (20°C)														
Tangent of loss angle (tanδ)	<table border="1"> <tr> <td>Rated voltage (V)</td> <td>160 to 250</td> <td>350 to 400</td> <td>450</td> </tr> <tr> <td>Tangent of loss angle</td> <td>0.12</td> <td>0.15</td> <td>0.20</td> </tr> </table> <p>(20°C,120Hz)</p>	Rated voltage (V)	160 to 250	350 to 400	450	Tangent of loss angle	0.12	0.15	0.20						
Rated voltage (V)	160 to 250	350 to 400	450												
Tangent of loss angle	0.12	0.15	0.20												
Characteristics at high and low temperature	<table border="1"> <tr> <td>Rated voltage (V)</td> <td>160 to 250</td> <td>350 to 450</td> </tr> <tr> <td rowspan="2">Impedance ratio</td> <td>Z-25°C/Z+20°C</td> <td>3</td> </tr> <tr> <td>Z-40°C/Z+20°C</td> <td>4</td> </tr> <tr> <td></td> <td></td> <td>6</td> </tr> <tr> <td></td> <td></td> <td>-</td> </tr> </table> <p>(120Hz)</p>	Rated voltage (V)	160 to 250	350 to 450	Impedance ratio	Z-25°C/Z+20°C	3	Z-40°C/Z+20°C	4			6			-
Rated voltage (V)	160 to 250	350 to 450													
Impedance ratio	Z-25°C/Z+20°C	3													
	Z-40°C/Z+20°C	4													
		6													
		-													
Endurance (105°C) (Applied ripple current)	<table border="1"> <tr> <td>Test time</td> <td>φ10 : 4000 hours φ12.5 to 18 : 5000 hours</td> </tr> <tr> <td>Leakage current</td> <td>The initial specified value or less</td> </tr> <tr> <td>Capacitance change</td> <td>Within -20% to +20% of initial value</td> </tr> <tr> <td>Tangent of loss angle</td> <td>300% or less of the initial specified value</td> </tr> </table>	Test time	φ10 : 4000 hours φ12.5 to 18 : 5000 hours	Leakage current	The initial specified value or less	Capacitance change	Within -20% to +20% of initial value	Tangent of loss angle	300% or less of the initial specified value						
Test time	φ10 : 4000 hours φ12.5 to 18 : 5000 hours														
Leakage current	The initial specified value or less														
Capacitance change	Within -20% to +20% of initial value														
Tangent of loss angle	300% or less of the initial specified value														
Shelf life (105°C)	<table border="1"> <tr> <td>Test time</td> <td>1000 hours</td> </tr> <tr> <td>Leakage current</td> <td>The initial specified value or less</td> </tr> <tr> <td>Capacitance change</td> <td>Within -20% to +20% of initial value</td> </tr> <tr> <td>Tangent of loss angle</td> <td>200% or less of the initial specified value</td> </tr> </table> <p>Voltage application treatment</p>	Test time	1000 hours	Leakage current	The initial specified value or less	Capacitance change	Within -20% to +20% of initial value	Tangent of loss angle	200% or less of the initial specified value						
Test time	1000 hours														
Leakage current	The initial specified value or less														
Capacitance change	Within -20% to +20% of initial value														
Tangent of loss angle	200% or less of the initial specified value														
Applicable Standards	JIS C 5101-01, -04 1998 (IEC 60384-1 1992, 60384-4 1985)														

Outline Drawing

Unit : mm



Coefficient of Frequency for Rated Ripple Current

Rated voltage (V)	Rated capacitance (μF)	Frequency (Hz)				
		50 · 60	120	1k	10k	100k
160 to 250	4.7 to 10	0.80	1	1.75	2.00	2.50
	12 to 47	0.80	1	1.60	1.80	2.00
	56 to 560	0.80	1	1.30	1.40	1.40
350 to 450	1 to 10	0.80	1	1.75	2.00	2.50
	12 to 18	0.80	1	1.60	1.80	2.00
	22 to 220	0.80	1	1.40	1.50	1.50

Part numbering system (example : 400V10μF)

RHS	—	400 V	100	M	I5 #	B	—	□
Series code		Rated voltage symbol	Rated capacitance symbol	Capacitance tolerance symbol	Casing symbol	Optional symbol		Taping(Forming) symbol

Standard Ratings

Rated voltage (V)			160			200			250			350		
Case φD×L(mm)	Casing symbol	Item	Rated capacitance (μF)	ESR (Ω max.)	Rated ripple current (mArms)	Rated capacitance (μF)	ESR (Ω max.)	Rated ripple current (mArms)	Rated capacitance (μF)	ESR (Ω max.)	Rated ripple current (mArms)	Rated capacitance (μF)	ESR (Ω max.)	Rated ripple current (mArms)
10×12.5	H3		27	5.9	145	4.7	34	60	4.7	34	60	3.3	60	50
			18	8.8	105	10	16	82	4.7	42	55			
10×16	H4		10	16	96	10	16	95	10	16	90	8.2	24	85
			39	4.1	185	22	7.2	110	4.7	42	65			
10×20	H5		22	7.2	145	22	7.2	145	10	16	105	12	17	120
			56	2.8	270	33	4.8	170	22	7.2	150	15	13	145
10×25	H6		68	2.3	290	47	3.4	245	39	4.1	240	22	9.0	175
10×30	H7		100	1.6	315	68	2.3	350	47	3.4	270	27	7.4	210
12.5×20	I5		33	4.8	190	33	4.8	190	47	3.4	260	10	20	120
			82	1.9	270	56	2.8	240	27	7.4	200			
12.5×25	I6		47	3.4	280	47	3.4	280	22	7.2	180	22	9.0	180
			100	1.6	325	82	1.9	320	33	4.8	250	39	5.1	225
12.5×30	I7		150	1.1	435	120	1.3	420	68	2.3	265	56	3.6	290
12.5×40	I9		220	0.7	500	—	—	—	82	1.9	420	68	2.9	370
16×20	J5		47	3.4	280	47	3.4	280	120	1.3	580	22	9.0	180
			120	1.3	375	100	1.6	370	68	2.3	275	47	4.2	270
16×25	J6		180	0.9	505	150	1.1	500	47	3.4	300	33	6.0	210
			120	1.3	405	68	2.9	365						
16×31.5	J7		270	0.6	685	100	1.6	410	100	1.6	410	82	2.4	445
			220	0.7	665	150	1.1	510						
16×35.5	J8		330	0.5	800	—	—	—	180	0.9	590	47	4.2	300
16×40	J9		390	0.4	915	270	0.6	820	220	0.7	685	100	2.0	520
			100	1.6	380	47	3.4	300	120	1.7	600			
18×20	K5		180	0.9	490	120	1.3	430	100	1.6	360	56	3.6	325
			270	0.6	660	100	1.6	410	100	1.6	410	82	2.4	430
18×25	K6		270	0.6	660	180	0.9	580	150	1.1	485	47	4.2	300
			180	0.9	580	150	1.1	485	100	2.0	520			
18×31.5	K7		330	0.5	810	270	0.6	790	180	0.9	590	47	4.2	300
18×35.5	K8		220	0.7	630	—	—	—	220	0.7	690	100	2.0	520
			390	0.4	925	120	1.7	600						
18×40	K9		470	0.3	1050	330	0.5	970	270	0.6	810	150	1.3	715
18×45	KA		560	0.3	1230	390	0.4	1100	330	0.5	945	180	1.1	730
18×50	KB		—	—	—	470	0.3	1200	—	—	—	220	0.9	960

Rated voltage (V)			400			450		
Case φD×L(mm)	Casing symbol	Item	Rated capacitance (μF)	ESR (Ω max.)	Rated ripple current (mArms)	Rated capacitance (μF)	ESR (Ω max.)	Rated ripple current (mArms)
10×12.5	H3		2.2	90	40	1.0	265	30
			6.8	29	70	5.6	47	60
10×16	H4		3.3	60	50	2.2	121	45
			10	20	95	8.2	32	90
10×20	H5		4.7	42	70	3.3	80	65
10×25	H6		18	11	160	12	22	120
10×30	H7		22	9.0	200	15	18	150
12.5×20	I5		22	9.0	200	22	12	190
			10	20	120	18	15	170
12.5×25	I6		27	7.4	220	4.7	56	80
			10	20	120	10	27	140
12.5×30	I7		39	5.1	310	27	9.8	210
12.5×40	I9		56	3.6	440	33	8.0	280
16×20	J5		33	6.0	220	47	5.6	400
			22	9.0	200	27	9.8	220
16×25	J6		22	9.0	200	22	12	220
			47	4.2	340	33	8.0	280
16×31.5	J7		33	6.0	245	47	5.6	380
			68	2.9	465	47	5.6	420
16×35.5	J8		82	2.4	500	56	4.7	520
16×40	J9		100	2.0	525	68	3.9	520
18×20	K5		22	9.0	200	82	3.2	680
			47	4.2	335	39	6.8	330
18×25	K6		33	6.0	245	68	3.9	420
			68	2.9	450	68	3.9	420
18×31.5	K7		47	4.2	300	82	3.2	580
			82	2.4	500	82	3.2	580
18×35.5	K8		100	2.0	525	—	—	—
			—	—	—	100	2.7	750
18×40	K9		120	1.7	785	120	2.2	800
18×45	KA		150	1.3	865	150	1.8	920
18×50	KB		—	—	—	180	1.5	1100

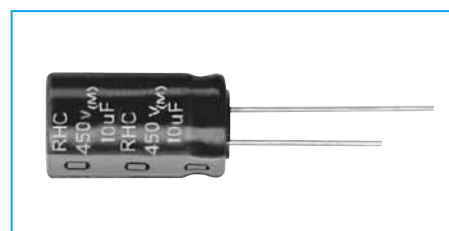
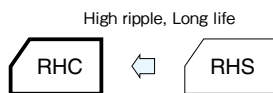
(Note) Rated ripple current : 105°C , 120Hz ; ESR. : 20°C , 120Hz

NOTE : Design, Specifications are subject to change without notice.
It is recommended that you shall obtain technical specifications from ELNA to ensure that the component is suitable for your use.

105°C Use, Miniature, High-Ripple, Long Life Capacitors

GREEN CAP 105°C 10000hours

- Higher ripple current.
- Guarantees 5000 to 10000 hours at 105°C.
- Best-suited to electronic ballast.



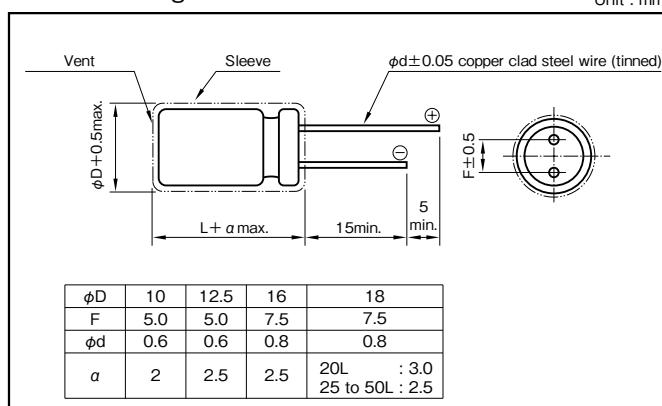
Marking color : White print on a black sleeve

Specifications

Item	Performance	
Category temperature range (°C)	-25 to +105	
Rated Voltage (V)	160 to 450	
Tolerance at rated capacitance (%)	±20 (20°C,120Hz)	
Leakage current (µA)	Less than 0.04CV + 100 (after 1 minutes) C : Rated capacitance (µF), V : Rated voltage (V) (20°C)	
Tangent of loss angle (tanδ)	Rated voltage (V)	160 to 250
	Tangent of loss angle	0.10 (0.15*)
		350 to 450
		0.12 (0.20*)
* The black circles in the capacitance column correspond. (20°C,120Hz)		
Characteristics at high and low temperature	Rated voltage (V)	160 to 250
	Impedance ratio Z-25°C/Z+20°C	3
		350 to 450
		6
(120Hz)		
Endurance (105°C) (Applied ripple current)	Test time	φ10×12.5 : 5000 hours φ10×16 to 20 : 8000 hours φ12.5 to 18 : 10000 hours
	Leakage current	The initial specific value or less
	Capacitance change	Within -30% to +30% of initial value
	Tangent of loss angle	300% or less of the initial specified value
Shelf life (105°C)	Test time	1000 hours
	Leakage current	The initial specific value or less
	Capacitance change	Within -20% to +20% of initial value
	Tangent of loss angle	200% or less of the initial specified value
Voltage application treatment		
Applicable standards	JIS C 5101-01, -04 1998 (IEC 60384-1 1992, 60384-4 1985)	

Outline Drawing

Unit : mm



Coefficient of Frequency for Rated Ripple Current

Rated capacitance (µF)	Frequency (Hz)			
	120	1k	10k	100k
1 to 5.6	0.20	0.40	0.80	1
6.8 to 18	0.30	0.60	0.90	1
22 to 82	0.40	0.70	0.90	1
100 to 680	0.45	0.75	0.90	1

Part numbering system (example : 400V10µF)

RHC	—	400 V	100	M	H5 #	B	—	□
Series code		Rated voltage symbol	Rated capacitance symbol	Capacitance tolerance symbol	Casing symbol	Optional symbol		Taping(Forming) symbol

Standard Ratings

Rated voltage(V)			160			200			250			350				
Case φD×L (mm)	Casing symbol	Item	Rated capacitance (μF)	ESR (Ω max.)	Rated ripple current (mArms)	Rated capacitance (μF)	ESR (Ω max.)	Rated ripple current (mArms)	Rated capacitance (μF)	ESR (Ω max.)	Rated ripple current (mArms)	Rated capacitance (μF)	ESR (Ω max.)	Rated ripple current (mArms)		
10×12.5	H3	● 27	7.4	350	4.7	28	200	● 8.2	24	300	1.5	106	100			
					● 12	17	340				2.2	72	140			
10×16	H4	● 39	5.1	600	6.8	20	220	● 22	9.0	450	3.3	48	180			
					● 27	7.4	500				4.7	34	220			
					10	13	320				5.6	28	250			
10×20	H5	● 47	2.8	750	22	6.0	500	● 33	6.0	525	6.8	23	280			
					33	4.0	650				10	16	350			
					47	2.8	750				● 15	18	465			
10×25	H6	● 68	2.9	910	● 56	3.6	860	● 39	5.1	660	● 22	12	525			
					33	4.0	720				● 27	9.8	585			
10×30	H7	● 82	2.4	1110	● 68	2.9	1010	● 47	4.2	775	● 27	9.8	585			
					68	2.0	1180				22	7.2	650			
12.5×20	I5	● 100	2.0	1275	● 68	2.9	1120	● 100	2.0	1465	● 27	9.8	700			
					100	1.3	1420				68	2.0	1300	● 39	6.8	825
12.5×25	I6	● 120	1.7	1500	● 100	2.0	1375	● 68	2.9	1260	● 120	1.7	1710			
					120	1.1	1500				● 82	2.4	1410	● 56	4.7	1050
12.5×30	I7	● 150	1.3	1700	● 120	1.7	1540	● 100	2.0	1465	● 68	3.9	1210			
					● 180	1.1	1965				● 150	1.3	1840	● 82	3.2	1375
12.5×35	I8	● 220	0.9	2310	● 180	1.1	2120	● 120	1.7	1710	● 82	3.2	1375			
					68	2.0	1180				68	2.0	1300	33	4.8	900
16×20	J5	● 180	1.1	1900	● 100	2.0	1420	● 82	2.4	1410	● 47	5.6	1080			
					100	1.3	1420				100	1.3	1530	● 68	3.9	1400
					● 220	0.9	2265				● 150	1.3	1890	● 120	1.7	1675
16×25	J6	● 330	0.6	3000	● 180	1.1	2200	● 150	1.3	1740	● 82	3.2	1560			
					● 220	0.9	2265				● 220	0.9	2420	● 100	2.7	1640
16×31.5	J7	● 390	0.5	3330	● 270	0.7	2710	● 180	1.1	2210	● 120	2.2	1830			
					● 470	0.4	3775				● 330	0.6	3120	● 220	0.9	2530
16×35.5	J8	● 470	0.4	3775	● 330	0.6	3120	● 100	2.0	1530	● 68	3.9	1375			
					● 180	1.1	1900				● 150	1.3	1940	68	2.3	1470
16×40	J9	● 270	0.7	2510	● 220	0.9	2380	● 150	1.3	1940	● 82	3.2	1510			
					220	0.6	2370				● 100	2.7	1650			
18×20	K5	● 330	0.6	2865	● 270	0.7	2750	● 220	0.9	2200	● 120	2.2	1760			
					● 470	0.4	3810				● 330	0.6	3100	● 150	1.8	2085
18×25	K6	● 560	0.4	4230	● 390	0.5	3275	● 330	0.6	2660	● 180	1.5	2265			
					● 680	0.3	4365				● 470	0.4	3475	● 220	1.2	2530
18×31.5	K7	● 680	0.3	4365	● 470	0.4	3475	● 390	0.5	3555	● 220	1.2	2530			
					● 560	0.4	3900				● 390	0.5	3555	—	—	—
18×40	K9	● 560	0.4	4230	● 390	0.5	3275	● 330	0.6	2660	● 180	1.5	2265			
18×45	KA	● 680	0.3	4365	● 470	0.4	3475	—	—	—	● 220	1.2	2530			
18×50	KB	—	—	—	● 560	0.4	3900	● 390	0.5	3555	—	—	—			

Rated voltage(V)			400			450		
Case φD×L (mm)	Casing symbol	Item	Rated capacitance (μF)	ESR (Ω max.)	Rated ripple current (mArms)	Rated capacitance (μF)	ESR (Ω max.)	Rated ripple current (mArms)
10×12.5	H3	● 3.3	1	159	70	● 3.9	68	200
			1.5	106	100			
			2.2	72	140			
			3.3	80	160			
10×16	H4	● 10	3.3	48	180	2.2	72	150
			4.7	34	220	3.3	48	180
			● 10	27	315	● 6.8	39	280
10×20	H5	● 15	5.6	28	250	4.7	34	220
			6.8	23	280	5.6	28	250
			10	16	350	6.8	23	280
			● 15	18	420	● 10	27	330
10×25	H6	● 18	15	445	● 15	18	500	
10×30	H7	● 22	12	525	● 22	12	535	
12.5×20	I5	● 22	15	11	550	10	16	450
			● 22	12	650	● 18	15	525
12.5×25	I6	● 27	22	7.2	760	15	11	600
			● 27	9.8	760	● 27	9.8	635
12.5×30	I7	● 47	33	4.8	720	● 33	8.0	725
			● 47	5.6	920	● 33	8.0	725
12.5×35	I8	● 56	47	3.4	960	● 33	8.0	800
			● 56	4.7	1260	● 39	6.8	850
12.5×40	I9	—	—	—	● 47	5.6	1010	
16×20	J5	● 33	22	7.2	760	22	7.2	730
			● 33	8.0	900	● 27	9.8	775
16×25	J6	● 47	33	4.8	980	● 39	6.8	935
			● 47	5.6	1180	● 56	4.7	1125
16×31.5	J7	● 68	3.9	1350	● 56	4.7	1125	
16×35.5	J8	● 100	2.7	1550	● 68	3.9	1250	
16×40	J9	● 120	2.2	1740	● 82	3.2	1650	
18×20	K5	● 56	4.7	1350	● 39	6.8	935	
18×25	K6	● 68	68	3.9	1470	47	3.4	1200
			● 68	3.9	1470	● 68	3.9	1260
18×31.5	K7	● 100	82	1.9	1600	● 82	3.2	1360
			● 100	2.7	1720	● 82	3.2	1360
18×35.5	K8	● 120	120	2.2	1760	● 100	2.7	1685
			● 120	2.2	1945	● 120	2.2	1865
18×40	K9	● 150	150	1.8	1930	—	—	—
			● 150	1.8	2215	—	—	—
18×45	KA	● 150	1.8	2215	—	—	—	
18×50	KB	—	—	—	● 150	1.8	2040	

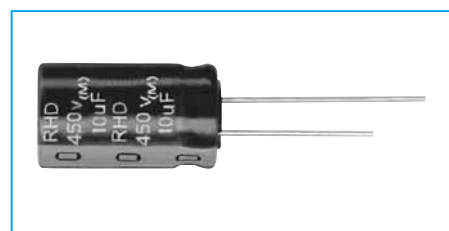
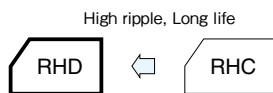
(Note) Rated ripple current : 105°C , 100kHz ; ESR. : 20°C , 120Hz

NOTE : Design, Specifications are subject to change without notice.
It is recommended that you shall obtain technical specifications from ELNA to ensure that the component is suitable for your use.

105°C Use, Miniature, High-Ripple, Long Life Capacitors

GREEN CAP 105°C 12000hours

- Higher ripple current.
- Guarantees 8000 to 12000 hours at 105°C.
- Best-suited to electronic ballast.



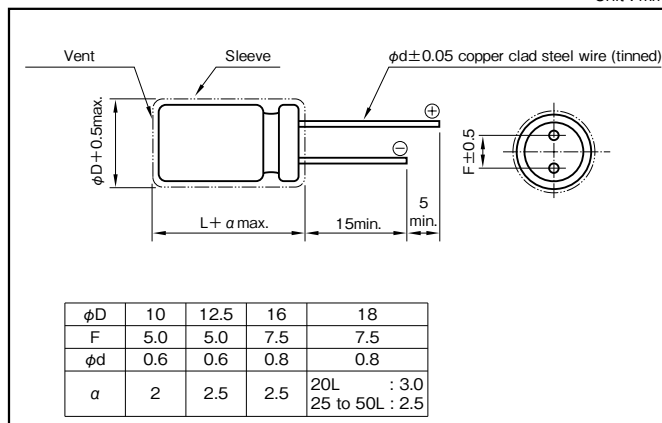
Marking color : White print on a black sleeve

Specifications

Item	Performance		
Category temperature range (°C)	-25 to +105		
Rated Voltage (V)	160 to 450		
Tolerance at rated capacitance (%)	±20 (20°C,120Hz)		
Leakage current(μA)	Less than 0.04CV + 100 (after 1 minutes) C:Rated capacitance (μF),V:Rated Voltage (V) (20°C)		
Tangent of loss angle (tanδ)	Rated voltage (V)	160 to 250	350 to 450
	Tangent of loss angle	0.15	0.20
Characteristics at high and low temperature	Rated voltage (V)	160 to 250	350 to 450
	Impedance ratio Z-25°C/Z+20°C	3	6
Endurance (105°C) (Applied ripple current)	Test time	φ10×12.5L : 8000hours φ10×16,20L : 10000hours φ10×30L, φ12.5 to φ18 : 12000hours	
	Leakage current	The initial specified value or less	
	Capacitance change	Within -30% to +30% of initial value	
	Tangent of loss angle	300% or less of the initial specified value	
Shelf life (105°C)	Test time	1000hours	
	Leakage current	The initial specified value or less	
	Capacitance change	Within -20% to +20% of initial value	
	Tangent of loss angle	200% or less of the initial specified value	
Applicable Standards	JIS C 5101-01, -04 1998 (IEC 60384-1 1992,60384-4 1985)		

Outline Drawing

Unit : mm



Coefficient of Frequency for Rated Ripple Current

Rated voltage (V)	Frequency (Hz)				
	50	120	1k	10k	100k
160 to 450	0.30	0.50	0.80	0.90	1

Part numbering system (example : 400V47μF)

RHD	—	400	V	470	M	K6	#	B	—	□
Series code		Rated voltage symbol		Rated capacitance symbol	Capacitance tolerance symbol	Casing symbol		Optional symbol		Taping(Forming) symbol

Standard Ratings

Rated voltage(V)			160			200			250			350					
Case φD×L (mm)	Casing symbol	Item	Rated capacitance (μF)	ESR (Ω max.)	Rated ripple current (mArms)	Rated capacitance (μF)	ESR (Ω max.)	Rated ripple current (mArms)	Rated capacitance (μF)	ESR (Ω max.)	Rated ripple current (mArms)	Rated capacitance (μF)	ESR (Ω max.)	Rated ripple current (mArms)			
10×12.5	H3		—	—	—	10	20	250	6.8	29	250	4.7	56	200			
			10	20	250	12	17	310				5.6	47	220			
10×16	H4		10	20	250	10	20	250	22	9.0	350	6.8	39	220			
			39	5.1	490	22	9.0	360				12	22	280			
10×20	H5		22	9.0	500	22	9.0	500	10	20	280	10	27	280			
			33	6.0	500	33	6.0	600				33	6.0	500	15	18	360
			56	3.6	620	39	5.1	640				39	5.1	570	22	12	440
10×25	H6		68	2.9	760	47	4.2	660	39	5.1	570	22	12	440			
			56	3.6	620	56	3.6	680				47	4.2	670	27	9.8	500
10×30	H7		100	2.0	980	56	3.6	700	47	4.2	670	27	9.8	500			
			68	2.9	800	33	6.0	600				22	9.0	600	22	12	350
12.5×20	I5		47	4.2	660	47	4.2	660	33	6.0	600	22	12	350			
			82	2.4	1040	56	3.6	700				47	4.2	650	27	9.8	600
			68	2.9	760	100	2.0	1240				47	4.2	720	39	6.8	770
			100	2.0	1260	68	2.9	1020				68	2.9	1020	68	3.9	1160
12.5×30	I7		—	—	—	120	1.7	1430	82	2.4	1200	56	4.7	980			
12.5×35	I8		180	1.1	1880	150	1.3	1700	100	2.0	1400	68	3.9	1160			
12.5×40	I9		220	0.9	2170	180	1.1	1950	—	—	—	82	3.2	1300			
16×20	J5		68	2.9	760	68	2.9	760	47	4.2	720	33	8.0	500			
			150	1.3	1560	100	2.0	1260	82	2.4	1150	47	5.6	860			
16×25	J6		100	2.0	1120	150	1.3	1680	68	2.9	920	68	3.9	1130			
			180	1.1	1850	—	—	—	120	1.7	1260	100	2.0	1200			
16×31.5	J7		270	0.7	2500	220	0.9	2220	150	1.3	1800	82	3.2	1350			
			330	0.6	2730	270	0.7	2480	180	1.1	2040	100	2.7	1510			
16×40	J9		390	0.5	3090	330	0.6	2840	220	0.9	2330	120	2.2	1750			
18×20	K5		100	2.0	1120	100	2.0	1120	68	2.9	920	47	5.6	660			
			180	1.1	1800	150	1.3	1300	100	2.0	1330	56	4.7	1000			
18×25	K6		150	1.3	1360	220	0.9	1400	150	1.3	1730	82	3.2	1290			
			220	0.9	1400	—	—	—	—	—	—	—	—	—	—		
			270	0.7	2340	220	0.9	1700	220	0.9	2240	100	2.7	1420			
18×31.5	K7		330	0.6	2580	270	0.7	2530	270	0.7	2550	150	1.8	2115			
			390	0.5	3000	330	0.6	2840	270	0.7	2550	180	1.5	2100			
18×35.5	K8		470	0.4	3420	390	0.5	3170	330	0.6	2910	—	—	—			
18×40	K9		560	0.4	3780	470	0.4	3500	—	—	—	220	1.2	2400			
18×45	KA		680	0.3	4240	560	0.4	3880	390	0.5	3240	—	—	—			
18×50	KB		—	—	—	—	—	—	—	—	—	—	—	—			

Rated voltage(V)			400			450		
Case φD×L (mm)	Casing symbol	Item	Rated capacitance (μF)	ESR (Ω max.)	Rated ripple current (mArms)	Rated capacitance (μF)	ESR (Ω max.)	Rated ripple current (mArms)
10×12.5	H3		4.7	56	220	3.9	68	120
			3.3	80	200	4.7	56	130
10×16	H4		6.8	39	220	6.8	39	140
			10	27	280	4.7	56	140
10×20	H5		10	27	280	6.8	39	150
			12	22	330	10	27	280
			12	22	290	12	22	290
10×25	H6		18	15	500	15	18	380
10×30	H7		22	12	600	22	12	470
12.5×20	I5		18	15	540	10	27	320
			15	18	380	15	18	380
			18	15	500	18	15	500
12.5×25	I6		27	9.8	710	22	12	620
12.5×30	I7		47	5.6	910	27	9.8	690
12.5×35	I8		—	—	—	33	8.0	700
12.5×40	I9		56	4.7	1090	39	6.8	920
16×20	J5		22	12	430	47	5.6	1050
			33	8.0	790	27	9.8	700
16×25	J6		47	5.6	1180	22	12	560
			47	5.6	1000	47	5.6	1000
16×31.5	J7		68	3.9	1250	56	4.7	1160
16×35.5	J8		82	3.2	1380	68	3.9	1300
16×40	J9		100	2.7	1510	82	3.2	1480
			120	2.2	1740	—	—	—
18×20	K5		33	8.0	640	22	12	560
			47	5.6	910	39	6.8	870
18×25	K6		68	3.9	1250	33	8.0	700
			—	—	—	56	4.7	1120
18×31.5	K7		82	3.2	1280	82	3.2	1450
			100	2.7	1520	—	—	—
18×35.5	K8		100	2.7	1640	68	3.9	1130
			120	2.2	1700	100	2.7	1640
18×40	K9		120	2.2	1740	100	2.7	1670
			150	1.8	1900	120	2.2	1830
18×45	KA		150	1.8	1970	—	—	—
			180	1.5	2100	—	—	—
18×50	KB		—	—	—	—	—	

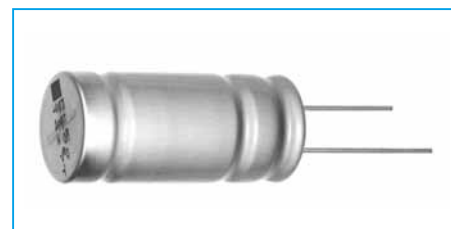
(Note) Rated ripple current : 105°C , 100kHz ; ESR. : 20°C , 120Hz

NOTE : Design, Specifications are subject to change without notice.
It is recommended that you shall obtain technical specifications from ELNA to ensure that the component is suitable for your use.

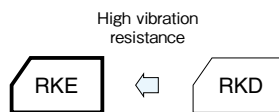
125°C Use, Miniature, Low ESR, High Vibration Resistance Capacitors

GREEN CAP	High Vibration Resistance	Low ESR	125°C 5000hours	Anti-cleaning solvent
-----------	---------------------------	---------	-----------------	-----------------------

- Vibration resistance (40G, 10 to 2000Hz, X, Y, Z = per 2hours).
- For Automotive application (ABS and electric power steering etc.)
- Guaranteed 5000 hours at 125°C



Marking color : Black print

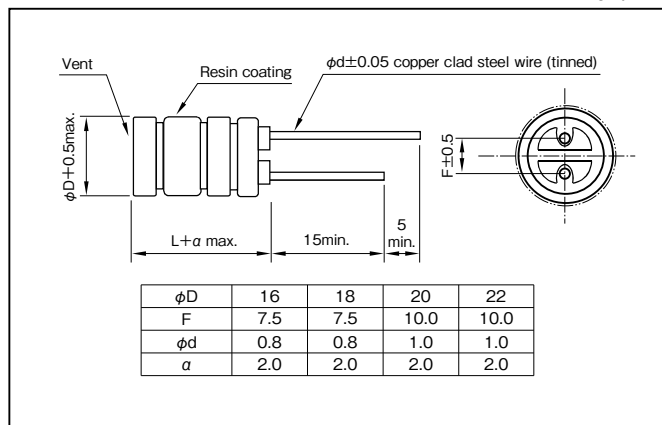


Specifications

Item	Performance								
Category temperature range (°C)	-40 to +125								
Tolerance at rated capacitance (%)	±20 (20°C, 120Hz)								
Leakage current (µA)	Less than 0.01CV or 3 whichever is larger (after 2 minutes) C : Rated capacitance (µF), V : Rated voltage (V) (20°C)								
Tangent of loss angle (tanδ)	<table border="1"> <tr> <th>Rated voltage (V)</th> <td>25</td> <td>35</td> <td>50</td> </tr> <tr> <th>tanδ (max.)</th> <td>0.14</td> <td>0.12</td> <td>0.10</td> </tr> </table>	Rated voltage (V)	25	35	50	tanδ (max.)	0.14	0.12	0.10
	Rated voltage (V)	25	35	50					
tanδ (max.)	0.14	0.12	0.10						
0.02 is added to every 1000µF increase over 1000µF. (20°C, 120Hz)									
Characteristics at high and low temperature	<table border="1"> <tr> <th>Rated voltage (V)</th> <td>25</td> <td>35</td> <td>50</td> </tr> <tr> <th>Impedance ratio (max.) Z-40°C/Z+20°C</th> <td>3</td> <td>3</td> <td>3</td> </tr> </table>	Rated voltage (V)	25	35	50	Impedance ratio (max.) Z-40°C/Z+20°C	3	3	3
	Rated voltage (V)	25	35	50					
Impedance ratio (max.) Z-40°C/Z+20°C	3	3	3						
(120Hz)									
Endurance (125°C) (Applied ripple current)	Test time	5000 hours							
	Leakage current	The initial specified value or less							
	Percentage of capacitance change	Within ±30% of initial value							
	Tangent of the loss angle	300% or less of the initial specified value							
Shelf life (125°C)	Test time : 1000hours ; other items are the same as those for the endurance. Voltage application treatment : According to JIS C5101 -1								
Vibration	Vibration test condition								
	Frequency range	10 to 2000Hz							
	Displacement amplitude	1.5 mm max.							
	Acceleration	40G (392m/s ²) max.							
	Sweep rate	0.5 octave/min.							
	Vibration axis and duration	X, Y, Z per 2 hours, total 6 hours							
	Fixation	Capacitor mounted by its body which is rigidly clamped to the work surface.							
	Specification after test								
	Leakage current	The initial specified value or less							
	Percentage of capacitance change	Within ±30% of initial value							
Tangent of the loss angle	300% or less of the initial specified value								
Applicable standards	JIS C5101-1, -4 1998 (IEC 60384-1 1992, -4 1985)								

Outline Drawing

Unit : mm



Coefficient of Frequency for Rated Ripple Current

Rated capacitance (µF)	Frequency (Hz)			
	120	1k	10k	100k
1200 to 82000	0.85	0.95	1.00	1

Part numbering system (example : 35V2700µF)

RKE	—	35	V	272	M	K7	#	—	□
Series code		Rated voltage symbol		Rated capacitance symbol	Capacitance tolerance symbol	Casing symbol			Forming symbol

Standard Ratings

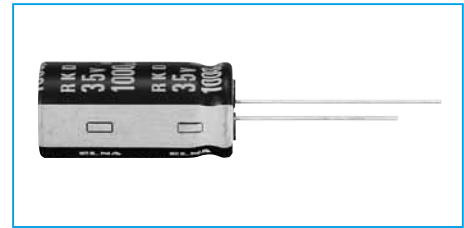
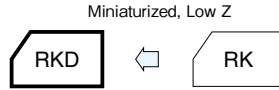
Rated voltage(V) Rated capacitance (μF)	Item	25					35					50				
		Case φD×L (mm)	Casing symbol	ESR (Ω max.)		Rated ripple current (mA rms)	Case φD×L (mm)	Casing symbol	ESR (Ω max.)		Rated ripple current (mA rms)	Case φD×L (mm)	Casing symbol	ESR (Ω max.)		Rated ripple current (mA rms)
				20°C	-40°C				20°C	-40°C				20°C	-40°C	
1200	—	—	—	—	—	—	—	—	—	—	16×31.5	J7	0.033	0.19	2940	
1500	—	—	—	—	—	16×31.5	J7	0.024	0.14	3160	16×35.5	J8	0.028	0.16	3300	
2200	—	—	—	—	—	16×35.5	J8	0.023	0.13	3590	18×35.5	K8	0.027	0.15	3520	
2700	16×31.5	J7	0.024	0.14	3160	18×31.5	K7	0.020	0.11	3410	—	—	—	—	—	
3300	16×35.5	J8	0.023	0.13	3590	18×35.5	K8	0.019	0.10	3840	20×40	L9	0.022	0.12	3930	
4700	18×31.5	K7	0.020	0.11	3410	18×40	K9	0.017	0.094	4250	—	—	—	—	—	
5600	18×35.5	K8	0.019	0.10	3840	20×40	L9	0.017	0.094	4500	—	—	—	—	—	
6800	18×40	K9	0.017	0.094	4250	—	—	—	—	—	—	—	—	—	—	
7800	20×40	L9	0.017	0.094	4500	—	—	—	—	—	—	—	—	—	—	
8200	22×40	N9	0.017	0.094	4750	—	—	—	—	—	—	—	—	—	—	

(Note) Rated ripple current : 125°C , 100kHz ; ESR : 100kHz

125°C Use, Miniature, Low Impedance Capacitors

- GREEN CAP
- Low ESR
- 125°C
5000hours
- Anti-cleaning solvent

- Smaller and low ESR than RK series.
- Guarantees 5000 hours at 125°C ($\phi 8$: 2000h, $\phi 10$: 3000h)



Marking color : White print on a black sleeve

Specifications

Item	Performance																		
Category temperature range (°C)	-40 to +125																		
Tolerance at rated capacitance (%)	±20 (20°C, 120Hz)																		
Leakage current (µA)	Less than 0.01CV or 4 whichever is larger (after 2 minutes) C : Rated capacitance (µF), V : Rated voltage (V) (20°C)																		
Tangent of loss angle (tanδ)	<table border="1"> <tr> <th>Rated voltage (V)</th> <td>10</td><td>16</td><td>25</td><td>35</td><td>50</td><td>63</td><td>80</td><td>100</td> </tr> <tr> <th>tanδ (max.)</th> <td>0.20</td><td>0.16</td><td>0.14</td><td>0.12</td><td>0.10</td><td>0.10</td><td>0.08</td><td>0.08</td> </tr> </table>	Rated voltage (V)	10	16	25	35	50	63	80	100	tanδ (max.)	0.20	0.16	0.14	0.12	0.10	0.10	0.08	0.08
	Rated voltage (V)	10	16	25	35	50	63	80	100										
tanδ (max.)	0.20	0.16	0.14	0.12	0.10	0.10	0.08	0.08											
0.02 is added to every 1000µF increase over 1000µF. (20°C, 120Hz)																			
Characteristics at high and low temperature	<table border="1"> <tr> <th>Rated voltage (V)</th> <td>10</td><td>16</td><td>25</td><td>35</td><td>50</td><td>63</td><td>80</td><td>100</td> </tr> <tr> <th>Impedance ratio (max.)</th> <td>Z-40°C/Z+20°C</td><td>4</td><td>3</td><td>3</td><td>3</td><td>3</td><td>3</td><td>3</td> </tr> </table>	Rated voltage (V)	10	16	25	35	50	63	80	100	Impedance ratio (max.)	Z-40°C/Z+20°C	4	3	3	3	3	3	3
	Rated voltage (V)	10	16	25	35	50	63	80	100										
Impedance ratio (max.)	Z-40°C/Z+20°C	4	3	3	3	3	3	3											
(120Hz)																			
Endurance (125°C) (Applied ripple current)	Test time	5000 hours ($\phi 8$: 2000 hours) ($\phi 10$: 3000 hours)																	
	Leakage current	The initial specified value or less																	
	Percentage of capacitance change	Within ±30% of initial value																	
	Tangent of the loss angle	300% or less of the initial specified value																	
Shelf life (125°C)	Test time : 1000hours ; other items are the same as those for the endurance. Voltage application treatment : According to JIS C5101 -1																		
Applicable standards	JIS C5101-1, -4 1998 (IEC 60384-1 1992, -4 1985)																		

Outline Drawing

Unit : mm

ϕD	8	10	12.5	16	18	20
F	3.5	5.0	5.0	7.5	7.5	10.0
ϕd	0.6	0.6	0.6	0.8	0.8	1.0
a	1.0	2.0	2.0	2.0	2.0	2.0

(Note) Whisker preventive structure is possible.

Coefficient of Frequency for Rated Ripple Current

Rated capacitance (µF)	Frequency (Hz)			
	50 · 60	120	1k	10k · 100k
100 to 330	0.55	0.65	0.85	1
390 to 1000	0.70	0.75	0.90	1
1200 to 8200	0.80	0.85	0.95	1

Part numbering system (example : 10V1000µF)

RKD	—	10	V	102	M	H5	#	—	
Series code		Rated voltage symbol		Rated capacitance symbol	Capacitance tolerance symbol	Casing symbol			Taping(Forming) symbol

If it is whisker preventive structure, should change “#” into “G”.

Standard Ratings

Rated voltage (V) Rated capacitance (μF) Item	10				16				25				35			
	Case	Casing symbol	ESR (Ω max.)	Rated ripple current (mArms)	Case	Casing symbol	ESR (Ω max.)	Rated ripple current (mArms)	Case	Casing symbol	ESR (Ω max.)	Rated ripple current (mArms)	Case	Casing symbol	ESR (Ω max.)	Rated ripple current (mArms)
	φD×L (mm)				φD×L (mm)				φD×L (mm)				φD×L (mm)			
100	—	—	—	—	8×12	G3	0.153	501	8×12	G3	0.153	501	8×12	G3	0.153	501
220	8×12	G3	0.153	501	8×12	G3	0.153	501	8×12	G3	0.153	501	10×12.5	H3	0.098	732
					10×12.5	H3	0.098	732	10×12.5	H3	0.098	732	10×16	H4	0.075	953
330	8×12	G3	0.153	501	8×12	G3	0.153	501	10×12.5	H3	0.098	732	10×16	H4	0.075	953
	10×12.5	H3	0.098	732	10×12.5	H3	0.098	732	10×16	H4	0.075	953	10×20	H5	0.057	1140
470	10×12.5	H3	0.098	732	10×16	H4	0.075	953	10×16	H4	0.075	953	10×20	H5	0.057	1140
									10×20	H5	0.057	1140	12.5×20	I5	0.040	1820
1000	10×20	H5	0.057	1140	10×20	H5	0.057	1140	12.5×20	I5	0.040	1820	12.5×25	I6	0.032	2400
	12.5×15	I4	0.059	1380	12.5×20	I5	0.040	1820	12.5×25	I6	0.032	2400	16×25	J6	0.024	3100
1200	—	—	—	—	—	—	—	—	12.5×20	I5	0.040	1820	12.5×30	I7	0.029	2560
													16×20	J5	0.044	1930
1500	—	—	—	—	—	—	—	—	—	—	—	—	12.5×35	I8	0.023	2970
													16×31.5	J7	0.020	3180
1800	—	—	—	—	—	—	—	—	12.5×25	I6	0.032	2400	12.5×40	I9	0.020	3600
													16×20	J5	0.032	2280
2200	12.5×25	I6	0.032	2400	12.5×25	I6	0.032	2400	12.5×30	I7	0.029	2560	16×31.5	J7	0.020	3160
	16×20	J5	0.032	2280	16×25	J6	0.024	3100	16×25	J6	0.024	3100	16×35.5	J8	0.019	3590
2700	18×16	K4	0.041	2170	18×20	K5	0.029	2490	18×20	K5	0.029	2490	18×25	K6	0.022	3200
	—	—	—	—	—	—	—	—	12.5×35	I8	0.023	2970	16×35.5	J8	0.019	3590
3300	16×25	J6	0.024	3100	16×31.5	J7	0.020	3160	16×25	J6	0.024	3100	18×15	K7	0.018	3410
									18×20	K5	0.029	2490	18×20	K5	0.029	2490
3900	—	—	—	—	—	—	—	—	12.5×40	I9	0.020	3600	16×40	J9	0.017	4300
									16×35.5	J8	0.019	3590	18×35.5	K8	0.016	4700
4700	16×31.5	J7	0.020	3160	16×35.5	J8	0.019	3590	18×35.5	K8	0.017	4200	20×25	L6	0.022	3500
	18×25	K6	0.022	3200	18×31.5	K7	0.018	3410	20×25	L6	0.022	3500	20×35.5	L8	0.016	4700
5600	—	—	—	—	—	—	—	—	16×40	J9	0.017	4300	20×40	L9	0.015	5100
									18×35.5	K8	0.017	4200	20×30	L7	0.019	4000
6800	—	—	—	—	—	—	—	—	18×40	K9	0.016	4600	—	—	—	—
									20×35.5	L8	0.016	4700	20×40	L9	0.015	5100
8200	—	—	—	—	—	—	—	—	20×40	L9	0.015	5100	—	—	—	—

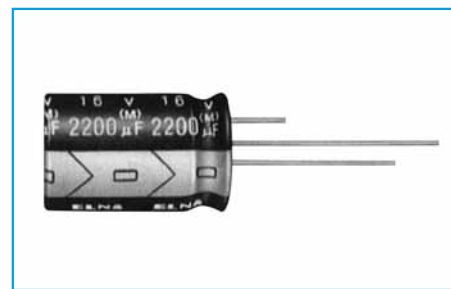
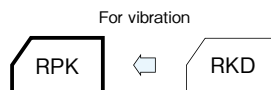
Rated voltage (V) Rated capacitance (μF) Item	50				63				80				100			
	Case	Casing symbol	ESR (Ω max.)	Rated ripple current (mArms)	Case	Casing symbol	ESR (Ω max.)	Rated ripple current (mArms)	Case	Casing symbol	ESR (Ω max.)	Rated ripple current (mArms)	Case	Casing symbol	ESR (Ω max.)	Rated ripple current (mArms)
	φD×L (mm)				φD×L (mm)				φD×L (mm)				φD×L (mm)			
220	10×20	H5	0.081	960	—	—	—	—	—	—	—	—	16×20	J5	0.11	1580
330	—	—	—	—	—	—	—	—	—	—	—	—	16×25	J6	0.079	1690
470	12.5×20	I5	0.057	1500	16×20	J5	0.085	1790	16×25	J6	0.079	2030	16×35.5	J8	0.052	2500
560	—	—	—	—	—	—	—	—	18×25	K6	0.064	2280	16×40	J9	0.045	2700
820	12.5×30	I7	0.038	2150	16×31.5	J7	0.053	2330	18×35.5	K8	0.044	2890	18×40	K9	0.039	2880
1000	16×25	J6	0.031	2620	16×35.5	J8	0.044	2580	18×40	K9	0.039	3210	—	—	—	—
1800	18×31.5	K7	0.025	3140	18×40	K9	0.032	3210	—	—	—	—	—	—	—	—
2200	18×35.5	K8	0.022	3510	—	—	—	—	—	—	—	—	—	—	—	—

(Note) Rated ripple current : 125°C , 100kHz ; ESR : 20°C , 100kHz

125°C Use, Long Life Capacitors

GREEN
CAPVibration
ResistanceLow
ESR125°C
5000hoursAnti-
cleaning
solvent

- Guarantees 5000 hours at 125°C.
- Best-suited to smoothing circuits and control circuits for industrial equipment power supplies of which long life and high reliability are required.
- NC terminal added items are lineup for vibration resistance.
(30G guaranteed : 20mL or less)



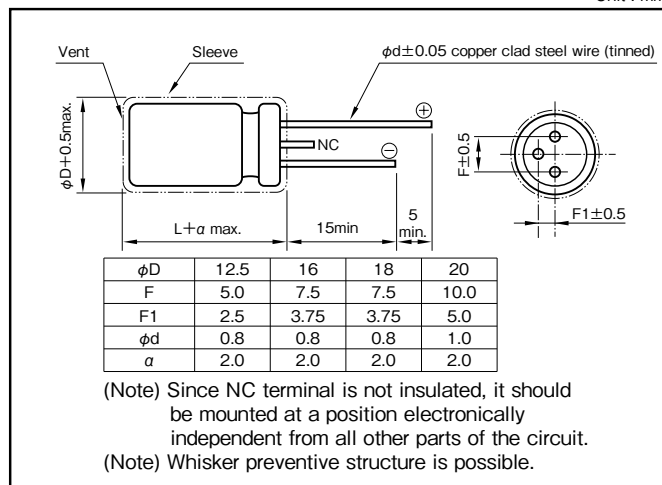
Marking color : White print on a black sleeve

Specifications

Item	Performance																		
Category temperature range (°C)	-40 to +125																		
Tolerance at rated capacitance (%)	±20 (20°C, 120Hz)																		
Leakage current (µA)	Less than 0.01CV or 4 whichever is larger (after 2 minutes) C : Rated capacitance (µF), V : Rated voltage (V) (20°C)																		
Tangent of loss angle (tanδ)	<table border="1"> <thead> <tr> <th>Rated voltage (V)</th> <th>10</th> <th>16</th> <th>25</th> <th>35</th> <th>50</th> <th>63</th> <th>80</th> <th>100</th> </tr> </thead> <tbody> <tr> <td>tanδ (max.)</td> <td>0.20</td> <td>0.16</td> <td>0.14</td> <td>0.12</td> <td>0.10</td> <td>0.10</td> <td>0.08</td> <td>0.08</td> </tr> </tbody> </table>	Rated voltage (V)	10	16	25	35	50	63	80	100	tanδ (max.)	0.20	0.16	0.14	0.12	0.10	0.10	0.08	0.08
	Rated voltage (V)	10	16	25	35	50	63	80	100										
tanδ (max.)	0.20	0.16	0.14	0.12	0.10	0.10	0.08	0.08											
0.02 is added to every 1000µF increase over 1000µF. (20°C, 120Hz)																			
Characteristics at high and low temperature	<table border="1"> <thead> <tr> <th>Rated voltage (V)</th> <th>10</th> <th>16</th> <th>25</th> <th>35</th> <th>50</th> <th>63</th> <th>80</th> <th>100</th> </tr> </thead> <tbody> <tr> <td>Impedance ratio (max.) Z-40°C/Z+20°C</td> <td>4</td> <td>3</td> <td>3</td> <td>3</td> <td>3</td> <td>3</td> <td>3</td> <td>3</td> </tr> </tbody> </table>	Rated voltage (V)	10	16	25	35	50	63	80	100	Impedance ratio (max.) Z-40°C/Z+20°C	4	3	3	3	3	3	3	3
	Rated voltage (V)	10	16	25	35	50	63	80	100										
Impedance ratio (max.) Z-40°C/Z+20°C	4	3	3	3	3	3	3	3											
(120Hz)																			
Endurance (125°C) (Applied ripple current)	Test time	5000 hours																	
	Leakage current	The initial specified value or less																	
	Percentage of capacitance change	Within ±30% of initial value																	
	Tangent of the loss angle	300% or less of the initial specified value																	
Shelf life (125°C)	Test time : 1000hours ; other items are the same as those for the endurance. Voltage application treatment : According to JIS C5101 -1																		
Applicable standards	JIS C5101-1, -4 1998 (IEC 60384-1 1992, -4 1985)																		

Outline Drawing

Unit : mm



Coefficient of Frequency for Rated Ripple Current

Rated capacitance (µF)	Frequency (Hz)			
	50 · 60	120	1k	10k · 100k
220 to 330	0.55	0.65	0.85	1
390 to 1000	0.70	0.75	0.90	1
1200 to 8200	0.80	0.85	0.95	1

Part numbering system (example : 16V2200µF)

RPK	—	16	V	222	M	J6	D#	—	□
Series code		Rated voltage symbol		Rated capacitance symbol	Capacitance tolerance symbol	Casing symbol			Taping(Forming) symbol

If it is whisker preventive structure, should change "D#" into "G".

Standard Ratings

Rated voltage (V) Rated capacitance (μF) Item	10				16				25				35							
	Case	Casing symbol	ESR (Ω max.)	Rated ripple current (mA _{rms})	Case	Casing symbol	ESR (Ω max.)	Rated ripple current (mA _{rms})	Case	Casing symbol	ESR (Ω max.)	Rated ripple current (mA _{rms})	Case	Casing symbol	ESR (Ω max.)	Rated ripple current (mA _{rms})				
	φD×L (mm)				φD×L (mm)				φD×L (mm)				φD×L (mm)							
470	—	—	—	—	—	—	—	—	—	—	—	—	—	—	—	—				
1000	12.5×15	I4	0.059	1380	12.5×20	I5	0.040	1820	12.5×20	I5	0.040	1820	12.5×25	I6	0.032	2400				
					16×16	J4	0.044	1930	16×16	J4	0.044	1930	16×25	J6	0.024	3100				
1200	—	—	—	—	—	—	—	—	12.5×20	I5	0.040	1820	12.5×30	I7	0.029	2560				
1500	—	—	—	—	—	—	—	—	—	—	—	—	16×20	J5	0.044	2280				
													12.5×35	I8	0.023	2970	16×31.5	J7	0.020	3180
													18×25	K6	0.022	3200	18×25	K6	0.022	3200
1800	—	—	—	—	—	—	—	—	12.5×25	I6	0.032	2400	12.5×40	I9	0.020	3600				
									16×20	J5	0.032	2280	16×25	J6	0.024	3100				
									12.5×30	I7	0.029	2560	16×31.5	J7	0.020	3160				
2200	12.5×25	I6	0.032	2400	12.5×25	I6	0.032	2400	12.5×30	I7	0.029	2560	16×35.5	J8	0.019	3590				
	16×20	J5	0.032	2280	16×25	J6	0.024	3100	16×25	J6	0.024	3100	18×31.5	K7	0.018	3410				
	18×16	K4	0.041	2170	18×20	K5	0.029	2490	18×20	K5	0.029	2490	18×25	K6	0.022	3200				
2700	—	—	—	—	—	—	—	—	12.5×35	I8	0.023	2970	16×35.5	J8	0.019	3590				
									16×25	J6	0.024	3100	18×31.5	K7	0.018	3410				
									18×20	K5	0.029	2490	20×25	L6	0.022	3500				
3300	16×25	J6	0.024	3100	16×31.5	J7	0.020	3160	12.5×40	I9	0.020	3600	16×40	J9	0.017	4300				
	18×20	K5	0.029	2490	18×25	K6	0.022	3200	16×31.5	J7	0.020	3160	18×35.5	K8	0.017	4200				
	—	—	—	—	—	—	—	—	16×35.5	J8	0.019	3590	20×30	L7	0.019	4000				
3900	—	—	—	—	—	—	—	—	16×35.5	J8	0.019	3590	—	—	—	—				
									18×25	K6	0.022	3200	—	—	—	—				
									18×35.5	K8	0.017	4200	—	—	—	—				
4700	16×31.5	J7	0.020	3160	16×35.5	J8	0.019	3590	18×35.5	K8	0.017	4200	18×40	K9	0.016	4600				
	18×25	K6	0.022	3200	18×31.5	K7	0.018	3410	20×25	L6	0.022	3500	20×35.5	L8	0.016	4700				
5600	—	—	—	—	—	—	—	—	16×40	J9	0.017	4300	20×40	L9	0.015	5100				
									18×35.5	K8	0.017	4200								
									20×30	L7	0.019	4000								
6800	—	—	—	—	—	—	—	—	18×40	K9	0.016	4600	—	—	—	—				
									20×35.5	L8	0.016	4700								
8200	—	—	—	—	—	—	—	—	20×40	L9	0.015	5100	—	—	—	—				

Rated voltage (V) Rated capacitance (μF) Item	50				63				80				100			
	Case	Casing symbol	ESR (Ω max.)	Rated ripple current (mA _{rms})	Case	Casing symbol	ESR (Ω max.)	Rated ripple current (mA _{rms})	Case	Casing symbol	ESR (Ω max.)	Rated ripple current (mA _{rms})	Case	Casing symbol	ESR (Ω max.)	Rated ripple current (mA _{rms})
	φD×L (mm)				φD×L (mm)				φD×L (mm)				φD×L (mm)			
220	—	—	—	—	—	—	—	—	—	—	—	—	16×20	J5	0.11	1580
330	—	—	—	—	—	—	—	—	16×20	J5	0.11	1790	16×25	J6	0.079	1690
470	12.5×20	I5	0.057	1500	16×20	J5	0.085	1790	16×25	J6	0.079	2030	16×35.5	J8	0.052	2500
560	—	—	—	—	—	—	—	—	18×25	K6	0.064	2280	16×40	J9	0.045	2700
820	12.5×30	I7	0.038	2150	16×31.5	J7	0.053	2330	18×35.5	K8	0.044	2890	18×40	K9	0.039	2880
1000	16×25	J6	0.031	2620	16×35.5	J8	0.044	2580	18×40	K9	0.039	3210	—	—	—	—
1800	18×31.5	K7	0.025	3140	18×40	K9	0.032	3210	—	—	—	—	—	—	—	—
2200	18×35.5	K8	0.022	3510	—	—	—	—	—	—	—	—	—	—	—	—

(Note) Rated ripple current : 125°C, 100kHz ; ESR : 20°C, 100kHz

135°C Use, Miniature, Low ESR Capacitors

GREEN CAP

Low ESR

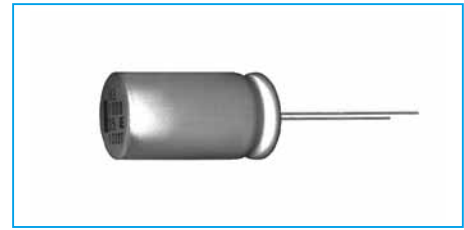
135°C 3000hours

Anti-cleaning solvent

- High temperature guaranteed and low ESR series for automotive.
- Guarantees 3000 hours at 135°C. ($\phi 10$: 2000 hours)



High temperature



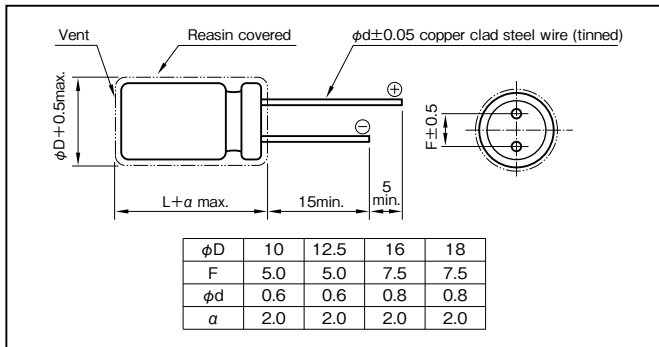
Marking color : Black print

Specifications

Item	Performance																		
Category temperature range (°C)	-40 to +135																		
Tolerance at rated capacitance (%)	±20 (20°C, 120Hz)																		
Leakage current (μA)	Less than 0.01CV or 4 whichever is larger (after 2 minutes) C : Rated capacitance (μF), V : Rated voltage (V) (20°C)																		
Tangent of loss angle (tanδ)	<table border="1"> <thead> <tr> <th>Rated voltage (V)</th> <th>10</th> <th>16</th> <th>25</th> <th>35</th> <th>50</th> <th>63</th> <th>80</th> <th>100</th> </tr> </thead> <tbody> <tr> <td>tanδ (max.)</td> <td>0.20</td> <td>0.16</td> <td>0.14</td> <td>0.12</td> <td>0.10</td> <td>0.10</td> <td>0.08</td> <td>0.08</td> </tr> </tbody> </table>	Rated voltage (V)	10	16	25	35	50	63	80	100	tanδ (max.)	0.20	0.16	0.14	0.12	0.10	0.10	0.08	0.08
	Rated voltage (V)	10	16	25	35	50	63	80	100										
tanδ (max.)	0.20	0.16	0.14	0.12	0.10	0.10	0.08	0.08											
0.02 is added to every 1000μF increase over 1000μF. (20°C, 120Hz)																			
Characteristics at high and low temperature	<table border="1"> <thead> <tr> <th>Rated voltage (V)</th> <th>10</th> <th>16</th> <th>25</th> <th>35</th> <th>50</th> <th>63</th> <th>80</th> <th>100</th> </tr> </thead> <tbody> <tr> <td>Impedance ratio (max.)</td> <td>Z-40°C/Z+20°C</td> <td>4</td> <td>3</td> <td>3</td> <td>3</td> <td>3</td> <td>3</td> <td>3</td> </tr> </tbody> </table>	Rated voltage (V)	10	16	25	35	50	63	80	100	Impedance ratio (max.)	Z-40°C/Z+20°C	4	3	3	3	3	3	3
	Rated voltage (V)	10	16	25	35	50	63	80	100										
Impedance ratio (max.)	Z-40°C/Z+20°C	4	3	3	3	3	3	3											
(120Hz)																			
Endurance (135°C) (Applied ripple current)	Test time	3000 hours ($\phi 10$: 2000 hours)																	
	Leakage current	The initial specified value or less																	
	Percentage of capacitance change	Within ±30% of initial value																	
	Tangent of the loss angle	300% or less of the initial specified value																	
Shelf life (135°C)	Test time : 1000 hours; other items are the same as those for the endurance. Voltage application treatment																		
Applicable standards	JIS C5101-1, -4 1998 (IEC 60384-1 1992, -4 1985)																		

Outline Drawing

Unit : mm



Coefficient of Frequency for Rated Ripple Current

Rated capacitance (μF) \ Frequency (Hz)	50 · 60	120	1k	10k · 100k
220 to 330	0.50	0.85	0.95	1
470 to 1000	0.60	0.88	0.96	1
1200 to 6800	0.68	0.90	0.98	1

Part numbering system (example : 10V1000μF)

RKB	—	10	V	102	M	H5	#	—	□
Series code		Rated voltage symbol		Rated capacitance symbol	Capacitance tolerance symbol	Casing symbol			Taping(Former) symbol

Standard Ratings

Rated voltage (V)	Item	10				16				25				35			
		Case	Casing symbol	ESR (Ω max.)	Rated ripple current (mA _{rms})	Case	Casing symbol	ESR (Ω max.)	Rated ripple current (mA _{rms})	Case	Casing symbol	ESR (Ω max.)	Rated ripple current (mA _{rms})	Case	Casing symbol	ESR (Ω max.)	Rated ripple current (mA _{rms})
		φDXL (mm)				φDXL (mm)				φDXL (mm)				φDXL (mm)			
220	—	—	—	—	10×12.5	H3	0.098	725	10×12.5	H3	0.098	725	10×12.5	H3	0.098	725	
330	10×12.5	H3	0.098	725	10×12.5	H3	0.098	725	10×12.5	H3	0.098	725	10×16	H4	0.075	951	
									10×16	H4	0.075	951	10×20	H5	0.057	1130	
470	10×12.5	H3	0.098	725	10×16	H4	0.075	951	10×16	H4	0.075	951	10×20	H5	0.057	1130	
									10×20	H5	0.057	1130	12.5×20	I5	0.040	1550	
1000	10×20	H5	0.057	1130	10×20	H5	0.057	1130	12.5×20	I5	0.040	1550	12.5×25	I6	0.032	1880	
	12.5×15	I4	0.059	1130	12.5×20	I5	0.040	1550	12.5×25	I6	0.032	1880	12.5×30	I7	0.029	2160	
1200	—	—	—	—	—	—	—	—	12.5×20	I5	0.040	1550	16×20	J5	0.032	2020	
1500	—	—	—	—	—	—	—	—	—	—	—	—	12.5×35	I8	0.023	2580	
1800	—	—	—	—	—	—	—	—	12.5×25	I6	0.032	1880	12.5×40	I9	0.020	2920	
									16×20	J5	0.032	2020	16×25	J6	0.024	2550	
2200	12.5×25	I6	0.032	1880	12.5×25	I6	0.032	1880	12.5×30	I7	0.029	2160	16×31.5	J7	0.020	3040	
	16×20	J5	0.032	2020	16×25	J6	0.024	2550	16×25	J6	0.024	2550	16×35.5	J8	0.019	3280	
2700	—	—	—	—	—	—	—	—	12.5×35	I8	0.023	2580	16×35.5	J8	0.019	3280	
									16×25	J6	0.024	2550	18×31.5	K7	0.018	3410	
3300	16×25	J6	0.024	2550	16×31.5	J7	0.020	3040	12.5×40	I9	0.020	2920	16×40	J9	0.017	3630	
	18×20	K5	0.029	2320	18×25	K6	0.022	2880	16×31.5	J7	0.020	3040	18×35.5	K8	0.017	3710	
4700	16×31.5	J7	0.020	3040	16×35.5	J8	0.019	3280	16×35.5	J8	0.019	3280	18×40	K9	0.016	4000	
	18×25	K6	0.022	2880	18×31.5	K7	0.018	3410	18×31.5	K7	0.018	3410					
5600	—	—	—	—	—	—	—	—	16×40	J9	0.017	3630	—	—	—	—	
6800	—	—	—	—	—	—	—	—	18×40	K9	0.016	4000	—	—	—	—	

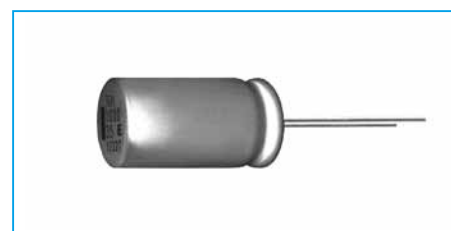
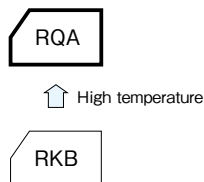
Rated voltage (V)	Item	50				63				80				100			
		Case	Casing symbol	ESR (Ω max.)	Rated ripple current (mA _{rms})	Case	Casing symbol	ESR (Ω max.)	Rated ripple current (mA _{rms})	Case	Casing symbol	ESR (Ω max.)	Rated ripple current (mA _{rms})	Case	Casing symbol	ESR (Ω max.)	Rated ripple current (mA _{rms})
		φDXL (mm)				φDXL (mm)				φDXL (mm)				φDXL (mm)			
220	10×20	H5	0.098	930	—	—	—	—	—	—	—	—	16×20	J5	0.131	1070	
330	—	—	—	—	—	—	—	—	—	—	—	—	16×25	J6	0.097	1350	
470	12.5×20	I5	0.070	1170	16×20	J5	0.099	1230	16×25	J6	0.097	1350	16×35.5	J8	0.077	1740	
560	—	—	—	—	—	—	—	—	18×25	K6	0.088	1530	16×40	J9	0.069	1940	
820	12.5×30	I7	0.047	1680	16×31.5	J7	0.062	1850	18×35.5	K8	0.069	1980	18×40	K9	0.066	2120	
1000	16×25	J6	0.039	1990	16×35.5	J8	0.058	2010	18×40	K9	0.066	2120	—	—	—	—	
1800	18×31.5	K7	0.030	2670	18×40	K9	0.053	2350	—	—	—	—	—	—	—	—	
2200	18×35.5	K8	0.028	2900	—	—	—	—	—	—	—	—	—	—	—	—	

(Note) Rated ripple current : 135°C, 100kHz ; ESR : 20°C, 100kHz

150°C Use, Miniature, Low Impedance Capacitors

GREEN CAP Low Impedance 150°C 1000hours Anti-cleaning solvent

- 150°C, High temperature guaranteed.
- Guarantees 1000 hours at 150°C.



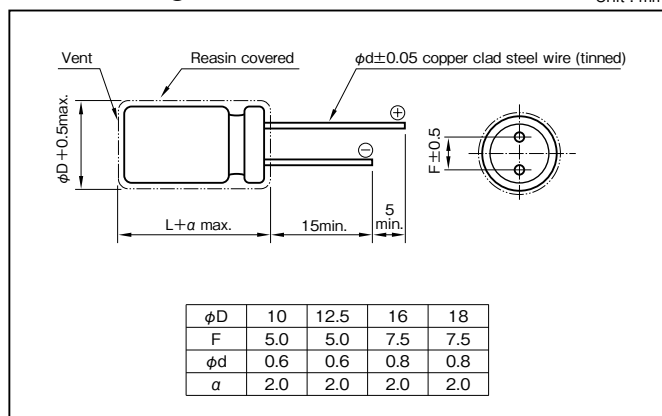
Marking color : Black print

Specifications

Item	Performance														
Category temperature range (°C)	-40 to +150														
Tolerance at rated capacitance (%)	±20 (20°C,120Hz)														
Leakage current (µA)	Less than 0.01CV or 4 whichever is larger (after 2 minutes) C : Rated capacitance (µF), V : Rated voltage (V) (20°C)														
Tangent of loss angle (tanδ)	<table border="1"> <tr> <th>Rated voltage (V)</th> <td>10</td> <td>16</td> <td>25</td> <td>35</td> <td>50</td> <td>63</td> </tr> <tr> <th>tanδ (max.)</th> <td>0.20</td> <td>0.16</td> <td>0.14</td> <td>0.12</td> <td>0.10</td> <td>0.10</td> </tr> </table>	Rated voltage (V)	10	16	25	35	50	63	tanδ (max.)	0.20	0.16	0.14	0.12	0.10	0.10
	Rated voltage (V)	10	16	25	35	50	63								
tanδ (max.)	0.20	0.16	0.14	0.12	0.10	0.10									
0.02 is added to every 1000µF increase over 1000µF. (20°C,120Hz)															
Characteristics at high and low temperature	<table border="1"> <tr> <th>Rated voltage (V)</th> <td>10</td> <td>16</td> <td>25</td> <td>35</td> <td>50</td> <td>63</td> </tr> <tr> <th>Impedance ratio (max.)</th> <td>Z-40°C/Z+20°C</td> <td>4</td> <td>3</td> <td>3</td> <td>3</td> <td>3</td> </tr> </table>	Rated voltage (V)	10	16	25	35	50	63	Impedance ratio (max.)	Z-40°C/Z+20°C	4	3	3	3	3
	Rated voltage (V)	10	16	25	35	50	63								
Impedance ratio (max.)	Z-40°C/Z+20°C	4	3	3	3	3									
(120Hz)															
Endurance (150°C) (Applied ripple current)	Test time	1000 hours													
	Leakage current	The initial specified value or less													
	Percentage of capacitance change	Within ±30% of initial value													
	Tangent of the loss angle	300% or less of the initial specified value													
Shelf life (150°C)	Test time : 1000hours ; other items are the same as those for the endurance. Voltage application treatment : According to JIS C5101 -1														
Applicable standards	JIS C5101 - 1, - 4 1998 (IEC 60384 - 1 1992, - 4 1985)														

Outline Drawing

Unit : mm



Coefficient of Frequency for Rated Ripple Current

Rated capacitance (µF)	Frequency (Hz)			
	50 · 60	120	1k	10k · 100k
220 to 330	0.50	0.85	0.95	1
470 to 1000	0.60	0.88	0.96	1
1500 to 10000	0.68	0.90	0.98	1

Part numbering system (example : 35V1000µF)

RQA	—	35	V	102	M	I6	#	—	□
Series code		Rated voltage symbol		Rated capacitance symbol	Capacitance tolerance symbol	Casing symbol			Taping(Forming) symbol

Standard Ratings

Rated voltage (V)	Item	10			16			25			35		
		Case	Casing symbol	Rated ripple current (mArms)	Case	Casing symbol	Rated ripple current (mArms)	Case	Casing symbol	Rated ripple current (mArms)	Case	Casing symbol	Rated ripple current (mArms)
220	—	—	—	—	—	—	10×14	H3	300	10×14	H3	300	
330	—	—	—	—	—	—	10×17	H4	510	10×17	H4	510	
470	—	—	—	—	10×17	H4	510	10×22	H5	820	10×22	H5	820
1000	10×22	H5	820	10×22	H5	820	12.5×27	I6	1000	12.5×27	I6	1000	
2200	12.5×27	I6	1000	12.5×27	I6	1000	16×28	J6	1200	16×34.5	J7	1370	
3300	16×28	J6	1200	16×34.5	J7	1370	16×38.5	J8	1720	18×34.5	K7	1670	
4700	16×34.5	J7	1370	16×38.5	J8	1720	18×38.5	K8	1790	18×43	K9	1870	

Rated voltage (V)	Item	50			63		
		Case	Casing symbol	Rated ripple current (mArms)	Case	Casing symbol	Rated ripple current (mArms)
470	12.5×22	I5	1070	16×28	J6	750	
1000	16×34.5	J7	1250	18×34.5	K7	1200	
1500	18×34.5	K7	1500	18×43	K9	1550	
2200	18×38.5	K8	1700	—	—	—	

(Note) Rated ripple current : 150°C , 100kHz

Low Leakage Current Capacitors

GREEN CAP

• Low leakage current (after 1 minute) : 0.006CV or 0.5 (µA).



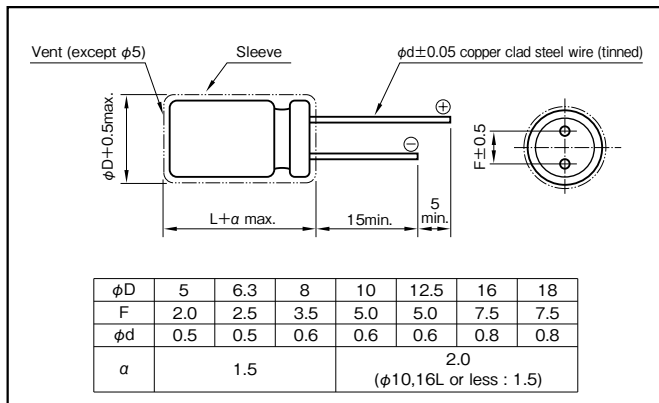
Marking color : White print on a blue sleeve

Specifications

Item	Performance	
Category temperature range (°C)	-40 to +85	
Tolerance at rated capacitance (%)	±20 (20°C, 120Hz)	
Leakage current (µA)	Less than 0.006CV or 0.5 whichever is larger (after 1 minute) Less than 0.002CV or 0.3 whichever is larger (after 2 minutes), C : Rated capacitance (µF) ; V : Rated voltage (V) (20°C)	
Tangent of loss angle (tanδ)	Rated voltage (V)	6.3 10 16 25 35 50
	tanδ (max.)	More than 1µF 0.20 0.17 0.13 0.10 0.10 0.08 1µF or less 0.06 0.06 0.06 0.06 0.06 0.06
Characteristics at high and low temperature	Rated voltage (V)	6.3 10 16 25 35 50
	Impedance ratio (max.)	Z-25°C/Z+20°C 4 3 2 2 2 2 Z-40°C/Z+20°C 8 6 4 4 3 3
Endurance (85°C) (Applied ripple current)	Test time	1000 hours
	Leakage current	The initial specified value or less
	Percentage of capacitance change	Within ±20% of initial value
	Tangent of the loss angle	150% or less of the initial specified value
Shelf life (85°C)	Test time : 1000 hours ; other items are the same as those for the endurance. Voltage application treatment	
Applicable standards	JIS C5101-1, -4 1998 (IEC 60384-1 1992, -4 1985)	

Outline Drawing

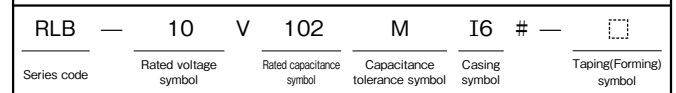
Unit : mm



Coefficient of Frequency for Rated Ripple Current

Rated voltage (V)	Frequency (Hz) CV (µF×V)	50 · 60	120	1k	10k · 100k
		6.3 to 10	All CV value	0.8	1
16 to 25	≤ 1000	0.8	1	1.5	1.7
	1000 <	0.8	1	1.2	1.3
35 to 50	All CV value	0.8	1	1.6	1.9

Part numbering system (example : 10V1000µF)



Casing symbol

Case φD×L (mm)	Casing symbol	Case φD×L (mm)	Casing symbol	Case φD×L (mm)	Casing symbol	Case φD×L (mm)	Casing symbol
5×11	E3	10×12.5	H3	12.5×20	I5	16×31.5	J7
6.3×11	F3	10×16	H4	12.5×25	I6	16×35.5	J8
8×11.5	G3	10×20	H5	16×25	J6	18×35.5	K8
						18×40	K9

Standard Ratings

Rated capacitance (µF)	6.3		10		16		25		35		50	
	Case φD×L (mm)	Rated ripple current (mArms)	Case φD×L (mm)	Rated ripple current (mArms)	Case φD×L (mm)	Rated ripple current (mArms)	Case φD×L (mm)	Rated ripple current (mArms)	Case φD×L (mm)	Rated ripple current (mArms)	Case φD×L (mm)	Rated ripple current (mArms)
1	—	—	—	—	—	—	—	—	—	—	5×11	20
2.2	—	—	—	—	—	—	—	—	—	—	5×11	26
3.3	—	—	—	—	—	—	—	—	—	—	5×11	32
4.7	—	—	—	—	—	—	5×11	34	5×11	34	6.3×11	43
10	—	—	—	—	5×11	543	6.3×11	57	6.3×11	57	8×11.5	75
22	—	—	5×11	56	6.3×11	74	8×11.5	99	8×11.5	99	10×12.5	131
33	—	—	6.3×11	79	6.3×11	90	8×11.5	121	10×12.5	144	10×16	176
47	—	—	6.3×11	94	8×11.5	127	10×12.5	172	10×12.5	172	10×16	210
100	—	—	8×11.5	160	10×12.5	220	10×16	270	10×20	300	12.5×20	380
220	10×12.5	260	10×16	350	10×20	390	12.5×20	510	12.5×25	550	16×25	720
330	10×16	350	10×20	460	12.5×20	550	12.5×25	680	16×25	790	16×31.5	970
470	10×20	460	12.5×20	570	12.5×25	650	16×25	940	16×25	940	16×35.5	1210
1000	12.5×25	840	12.5×25	910	16×25	1210	16×35.5	1580	18×35.5	1690	—	—
2200	16×25	1440	16×31.5	1710	18×35.5	2200	—	—	—	—	—	—

(Note) Rated ripple current : 85°C, 120Hz

NOTE : Design, Specifications are subject to change without notice. It is recommended that you shall obtain technical specifications from ELNA to ensure that the component is suitable for your use.

MEMO

**Large Capacitance
Aluminum Electrolytic Capacitors**

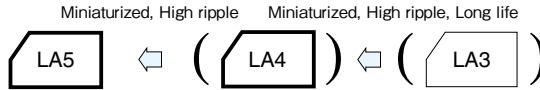
PCB Snap-In Miniaturized Capacitors

GREEN CAP

- 20mm-tall products for every diameter of $\phi 22$ to $\phi 35$ are now offered in series.
- As many as 4 case sizes available for the same rating.



Marking color : White print on a black sleeve

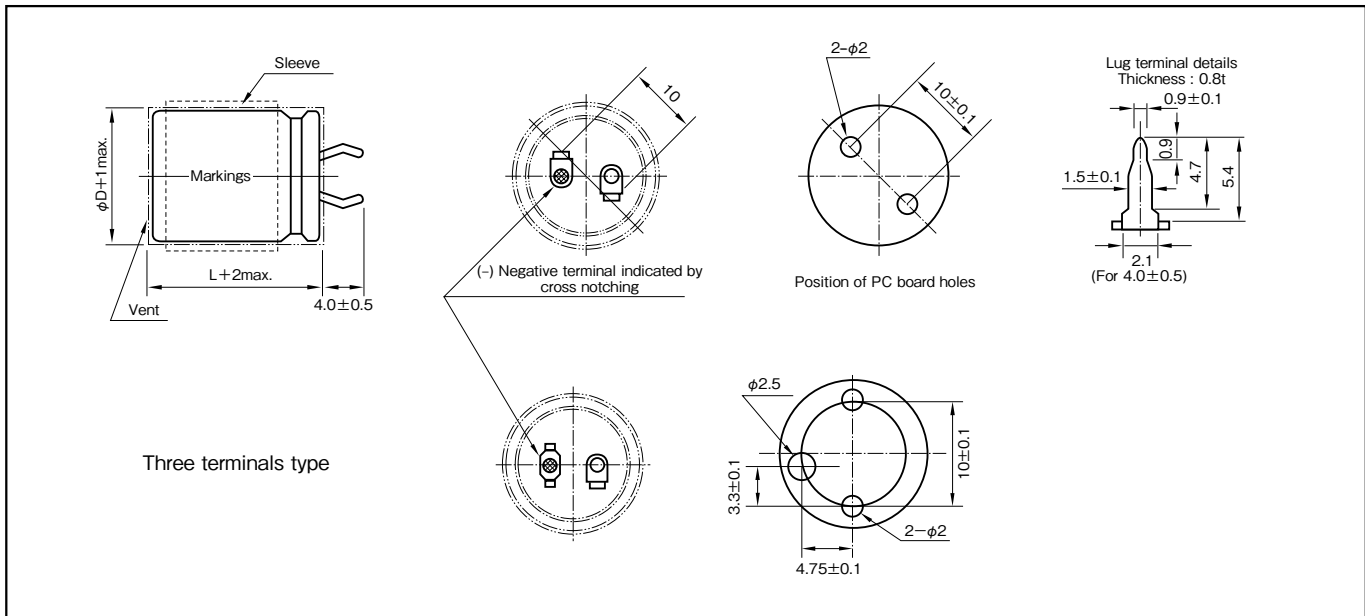


Specifications

Item	Performance																														
Category temperature range (°C)	-40 to +85 (450V is at -25 to +85)																														
Tolerance at rated capacitance (%)	± 20 (20°C, 120Hz)																														
Leakage current (μA)	Less than 0.01CV or 1.5mA whichever is smaller (after 5 minutes) C : Rated capacitance (μF) ; V : Rated voltage (V) (20°C)																														
Tangent of loss angle (tan δ)	<table border="1"> <tr> <th>Rated voltage (V)</th> <td>10</td> <td>16</td> <td>25</td> <td>35</td> <td>50</td> <td>63 to 100</td> </tr> <tr> <th>tanδ (max.)</th> <td>0.80</td> <td>0.60</td> <td>0.50</td> <td>0.40</td> <td>0.30</td> <td>0.20</td> </tr> </table>	Rated voltage (V)	10	16	25	35	50	63 to 100	tan δ (max.)	0.80	0.60	0.50	0.40	0.30	0.20																
	Rated voltage (V)	10	16	25	35	50	63 to 100																								
tan δ (max.)	0.80	0.60	0.50	0.40	0.30	0.20																									
	<table border="1"> <tr> <th rowspan="2">tanδ (max.)</th> <th rowspan="2">ϕD (mm)</th> <th colspan="2">Rated voltage (V)</th> </tr> <tr> <th>160 to 250</th> <th>315 to 450</th> </tr> <tr> <td></td> <td>22 to 30</td> <td>0.10</td> <td>0.15</td> </tr> <tr> <td></td> <td>35</td> <td>0.15</td> <td>0.15</td> </tr> </table> <p>(20°C, 120Hz)</p>	tan δ (max.)	ϕD (mm)	Rated voltage (V)		160 to 250	315 to 450		22 to 30	0.10	0.15		35	0.15	0.15																
tan δ (max.)	ϕD (mm)			Rated voltage (V)																											
		160 to 250	315 to 450																												
	22 to 30	0.10	0.15																												
	35	0.15	0.15																												
Characteristics at high and low temperature	<table border="1"> <tr> <th rowspan="2">Impedance ratio (max.)</th> <th colspan="7">Rated voltage (V)</th> </tr> <tr> <th>10</th> <th>16 to 35</th> <th>50 to 100</th> <th>160 to 200</th> <th>250 to 400</th> <th>450</th> </tr> <tr> <td></td> <td>Z-25°C/Z+20°C</td> <td>5</td> <td>4</td> <td>3</td> <td>3</td> <td>4</td> <td>4</td> </tr> <tr> <td></td> <td>Z-40°C/Z+20°C</td> <td>18</td> <td>15</td> <td>10</td> <td>6</td> <td>8</td> <td>—</td> </tr> </table> <p>(120Hz)</p>	Impedance ratio (max.)	Rated voltage (V)							10	16 to 35	50 to 100	160 to 200	250 to 400	450		Z-25°C/Z+20°C	5	4	3	3	4	4		Z-40°C/Z+20°C	18	15	10	6	8	—
	Impedance ratio (max.)		Rated voltage (V)																												
10		16 to 35	50 to 100	160 to 200	250 to 400	450																									
	Z-25°C/Z+20°C	5	4	3	3	4	4																								
	Z-40°C/Z+20°C	18	15	10	6	8	—																								
Endurance (85°C) (Applied ripple current)	Test time	2000 hours																													
	Leakage current	The initial specified value or less																													
	Percentage of capacitance change	Within $\pm 20\%$ of initial value																													
	Tangent of the loss angle	200% or less of the initial specified value																													
Shelf life (85°C)	Test time	1000 hours																													
	Leakage current	The initial specified value or less																													
	Percentage of capacitance change	Within $\pm 15\%$ of initial value																													
	Tangent of the loss angle	150% or less of the initial specified value																													
Applicable standards	Voltage application treatment JIS C5101-1, -4 1998 (IEC 60384-1 1992, -4 1985)																														

Outline Drawing

Unit : mm



Part numbering system					
series LA5, standard terminal type :400V220 μF					
LA5	400	V	221	M	S43 # B
Series code	Rated voltage symbol	Rated capacitance symbol	Capacitance tolerance symbol	Casing symbol	Optional symbol
series LT5, three terminals type :400V220 μF					
LT5	—	400	V	221	M S43 # B
Series code	Rated voltage symbol	Rated capacitance symbol	Capacitance tolerance symbol	Casing symbol	Optional symbol

Coefficient of Frequency for Rated Ripple Current

Rated voltage (V)	Frequency (Hz)				
	50	120	1k	10k	20k
100 or less	0.95	1	1.10	1.15	1.15
160 to 250	0.87	1	1.11	1.18	1.20
315 or more	0.80	1	1.14	1.19	1.20

NOTE : Design, Specifications are subject to change without notice. It is recommended that you shall obtain technical specifications from ELNA to ensure that the component is suitable for your use.

Standard Ratings

Case dDxL (mm)	Casing symbol	10			16			25			35			50			63			80			100			
		Rated capacitance (μF)	ESR (Ω)	Rated ripple current (Arms)	Rated capacitance (μF)	ESR (Ω)	Rated ripple current (Arms)	Rated capacitance (μF)	ESR (Ω)	Rated ripple current (Arms)	Rated capacitance (μF)	ESR (Ω)	Rated ripple current (Arms)	Rated capacitance (μF)	ESR (Ω)	Rated ripple current (Arms)	Rated capacitance (μF)	ESR (Ω)	Rated ripple current (Arms)	Rated capacitance (μF)	ESR (Ω)	Rated ripple current (Arms)	Rated capacitance (μF)	ESR (Ω)	Rated ripple current (Arms)	
22x20	S21	8200	0.101	2.0	5600	0.118	1.9	3900	0.128	1.8	2700	0.154	1.6	1800	0.184	1.6	1500	0.166	1.7	1000	0.249	1.5	560	0.444	1.3	
22x25	S22	12000	0.069	2.5	8200	0.081	2.4	5600	0.089	2.3	3900	0.106	2.1	2700	0.123	2.1	2200	0.113	2.2	1500	0.166	1.9	820	0.303	1.7	
22x30	S23	15000	0.055	3.0	12000	0.055	3.0	8200	0.061	2.8	4700	0.088	2.4	3900	0.085	2.6	2700	0.092	2.5	1800	0.138	2.2	1200	0.207	2.1	
22x35	S24	22000	0.038	3.7	15000	0.044	3.4	10000	0.050	3.2	6800	0.061	2.9	4700	0.071	3.1	3300	0.075	2.9	2200	0.113	2.5	1500	0.166	2.5	
22x40	S25	—	—	—	18000	0.037	3.9	12000	0.041	3.7	8200	0.051	3.3	5600	0.059	3.4	3900	0.064	3.3	2700	0.092	2.8	1800	0.138	2.8	
22x45	S26	27000	0.031	4.3	—	—	—	—	—	—	—	—	—	—	—	—	4700	0.053	3.7	3300	0.075	3.2	2200	0.113	3.2	
22x50	S27	33000	0.025	4.9	22000	0.030	4.5	15000	0.033	4.3	10000	0.041	3.9	6800	0.049	3.9	5600	0.044	4.1	3900	0.064	3.6	—	—	—	
25x20	S31	12000	0.069	2.5	8200	0.081	2.4	5600	0.089	2.2	3900	0.106	2.0	2700	0.123	2.1	1800	0.138	2.0	1200	0.207	1.7	820	0.303	1.7	
25x25	S32	18000	0.046	3.2	12000	0.055	2.9	8200	0.061	2.8	5600	0.074	2.6	3900	0.085	2.6	2700	0.092	2.0	1800	0.138	2.2	1200	0.207	2.1	
25x30	S33	22000	0.038	3.7	15000	0.044	3.4	10000	0.050	3.2	6800	0.061	2.9	4700	0.071	3.0	3900	0.064	3.2	2200	0.113	2.5	1500	0.166	2.5	
25x35	S34	27000	0.031	4.2	18000	0.037	3.9	12000	0.041	3.7	8200	0.051	3.3	5600	0.059	3.4	4700	0.053	3.6	3300	0.075	3.1	1800	0.138	2.8	
25x40	S35	33000	0.025	4.8	22000	0.030	4.4	15000	0.033	4.2	10000	0.041	3.8	6800	0.049	3.8	5600	0.044	4.0	3900	0.064	3.5	2200	0.113	3.2	
25x45	S36	39000	0.021	5.4	27000	0.025	5.0	18000	0.028	4.7	12000	0.035	4.3	8200	0.040	4.3	6800	0.037	4.6	—	—	—	2700	0.092	2.9	
25x50	S37	47000	0.018	6.0	—	—	—	22000	0.023	5.4	15000	0.028	4.9	10000	0.033	4.9	—	—	—	4700	0.053	4.0	3300	0.075	4.1	
30x20	S41	18000	0.046	3.3	12000	0.055	3.0	8200	0.061	2.9	5600	0.074	2.6	3900	0.085	2.7	2700	0.092	2.6	1800	0.138	2.2	1200	0.207	2.2	
30x25	S42	27000	0.031	4.2	18000	0.037	3.9	12000	0.041	3.7	8200	0.051	3.3	5600	0.059	3.4	3900	0.064	3.3	2700	0.092	2.9	1800	0.138	2.8	
30x30	S43	33000	0.025	4.9	22000	0.030	4.4	15000	0.033	4.3	10000	0.041	3.8	6800	0.049	3.9	5600	0.044	4.1	3900	0.064	3.6	2200	0.113	3.2	
30x35	S44	39000	0.021	5.5	27000	0.025	5.1	18000	0.028	4.8	12000	0.035	4.3	8200	0.040	4.4	6800	0.037	4.6	4700	0.053	4.0	2700	0.092	3.7	
30x40	S45	47000	0.018	6.1	33000	0.020	5.8	22000	0.023	5.5	15000	0.028	5.0	10000	0.033	5.0	8200	0.030	5.2	5600	0.044	4.5	3300	0.075	4.2	
30x45	S46	56000	0.015	6.9	39000	0.017	6.4	27000	0.018	6.2	18000	0.023	5.6	12000	0.028	5.6	10000	0.025	5.9	6800	0.037	5.1	3900	0.064	4.7	
30x50	S47	68000	0.012	7.7	47000	0.014	7.2	33000	0.015	7.0	22000	0.019	6.3	15000	0.022	6.4	—	—	—	—	—	—	4700	0.053	5.2	
35x20	S51	22000	0.038	3.9	15000	0.044	3.7	10000	0.050	3.5	6800	0.061	3.1	4700	0.071	3.2	3900	0.064	3.4	2700	0.092	3.0	1500	0.166	2.7	
35x25	S52	33000	0.025	5.0	22000	0.030	4.6	15000	0.033	4.4	10000	0.041	4.0	6800	0.049	4.0	5600	0.044	4.2	3900	0.064	3.7	2200	0.113	3.4	
35x30	S53	47000	0.018	6.2	33000	0.020	5.8	22000	0.023	5.5	15000	0.028	5.0	10000	0.033	5.0	8200	0.030	5.2	5600	0.044	4.5	3300	0.075	4.3	
35x35	S54	56000	0.015	7.0	39000	0.017	6.5	27000	0.018	6.2	18000	0.023	5.7	12000	0.028	5.7	8200	0.030	5.5	5600	0.044	4.7	3900	0.064	4.4	
35x40	S55	68000	0.012	7.9	47000	0.014	7.4	33000	0.015	7.2	22000	0.019	6.4	15000	0.022	6.5	10000	0.025	6.2	6800	0.037	5.3	4700	0.053	5.4	
35x45	S56	82000	0.010	8.9	56000	0.012	8.2	39000	0.013	8.0	—	—	—	—	18000	0.018	7.3	12000	0.021	6.9	8200	0.030	6.0	5600	0.044	6.0
35x50	S57	—	—	—	—	—	—	—	—	—	27000	0.015	7.4	—	—	—	15000	0.017	7.9	10000	0.025	6.8	—	—	—	

Case dDxL (mm)	Casing symbol	160			180			200			250			315			350			400			450		
		Rated capacitance (μF)	ESR (Ω)	Rated ripple current (Arms)	Rated capacitance (μF)	ESR (Ω)	Rated ripple current (Arms)	Rated capacitance (μF)	ESR (Ω)	Rated ripple current (Arms)	Rated capacitance (μF)	ESR (Ω)	Rated ripple current (Arms)	Rated capacitance (μF)	ESR (Ω)	Rated ripple current (Arms)	Rated capacitance (μF)	ESR (Ω)	Rated ripple current (Arms)	Rated capacitance (μF)	ESR (Ω)	Rated ripple current (Arms)	Rated capacitance (μF)	ESR (Ω)	Rated ripple current (Arms)
22x20	S21	270	0.614	1.2	220	0.754	1.1	180	0.922	1.0	150	1.106	0.94	100	2.488	0.78	68	3.659	0.61	56	4.443	0.54	47	5.294	0.49
22x25	S22	390	0.425	1.5	330	0.503	1.4	270	0.614	1.3	220	0.754	1.2	150	1.659	1.0	100	2.488	0.78	82	3.034	0.69	68	3.659	0.62
22x30	S23	560	0.296	1.9	470	0.353	1.8	390	0.425	1.6	270	0.614	1.4	180	1.382	1.1	150	1.659	1.0	120	2.073	0.86	82	3.034	0.71
22x35	S24	680	0.244	2.2	560	0.296	2.0	470	0.353	1.9	330	0.503	1.6	220	1.131	1.3	180	1.382	1.1	150	1.659	1.0	100	2.488	0.82
22x40	S25	820	0.202	2.5	680	0.244	2.3	560	0.296	2.1	390	0.425	1.8	270	0.922	1.5	220	1.131	1.3	180	1.382	1.1	120	2.073	0.92
22x45	S26	—	—	—	820	0.202	2.6	680	0.244	2.4	470	0.353	2.0	330	0.754	1.7	—	—	—	220	1.131	1.3	150	1.659	1.1
22x50	S27	1000	0.166	2.9	—	—	—	820	0.202	2.6	560	0.296	2.2	—	—	—	270	0.922	1.5	—	—	—	180	1.382	1.2
25x20	S31	390	0.425	1.5	330	0.503	1.4	270	0.614	1.3	180	0.922	1.1	120	2.073	0.88	100	2.488	0.77	82	3.034	0.69	56	4.443	0.57
25x25	S32	560	0.296	1.9	470	0.353	1.8	390	0.425	1.6	270	0.614	1.4	180	1.382	1.1	150	1.659	0.99	120	2.073	0.87	82	3.034	0.72
25x30	S33	680	0.244	2.2	560	0.296	2.0	560	0.296	2.0	390	0.425	1.7	270	0.922	1.4	180	1.382	1.1	150	1.659	1.0	120	2.073	0.91
25x35	S34	820	0.202	2.5	680	0.244	2.3	680	0.244	2.3	470	0.353	2.0	330	0.754	1.7	220	1.131	1.3	180	1.382	1.1	150	1.659	1.0
25x40	S35	1000	0.166	2.8	820	0.202	2.6	820	0.202	2.6	560	0.296	2.2	390	0.638	1.8	270	0.922	1.5	220	1.131	1.3	180	1.382	1.2
25x45	S36	1200	0.138	3.2	1000	0.166	2.9	—	—	—	680	0.244	2.5	—	—	—	330	0.754	1.7	270	0.922	1.5	—	—	—
25x50	S37	1500	0.111	3.6	1200	0.138	3.3	1000	0.166	3.0	—	—	—	470	0.529	2.1	390	0.638	1.9	330	0.754	1.7	220	1.131	1.4
30x20	S41	560	0.296	2.0	470	0.353	1.8	390	0.425	1.7	270	0.614	1.4	180	1.382	1.2	150	1.659	1.0	120	2.073	0.93	82	3.034	0.77
30x25	S42	820	0.202	2.5	680	0.244	2.3	560	0.296	2.1	390	0.425	1.8	270	0.922	1.5	220	1.131	1.3	180	1.382	1.2	120	2.073	0.97
30x30	S43	1000	0.166	2.9	820	0.202	2.6	820	0.202	2.7	560	0.296	2.3	390	0.638	1.9	270	0.922	1.5	220	1.131	1.4	180	1.382	1.2
30x35	S44	1200	0.138	3.3	1200	0.138	3.3	1000	0.166	3.0	680	0.244	2.6	470	0.529	2.1	330	0.754	1.7	270	0.922	1.6	220	1.131	1.4
30x40	S45	1500	0.111	3.7	—	—	—	1200	0.138	3.4	820	0.202	2.9	560	0.444	2.4	390	0.638	1.9	330	0.754	1.8	270	0.922	1.6
30x45	S46	1800	0.092	4.2	1500	0.111	3.9	—	—	—	1000	0.166	3.3	680	0.366	2.7									

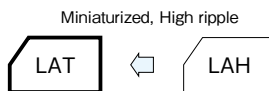
Ultra Miniaturized, High-Reliability, High-Ripple Capacitors

GREEN CAP 105°C 2000hours

- Best suited as input filters for various power supplies.
- Guarantees 2000 hours at 105°C.



Marking color : White print on a black sleeve

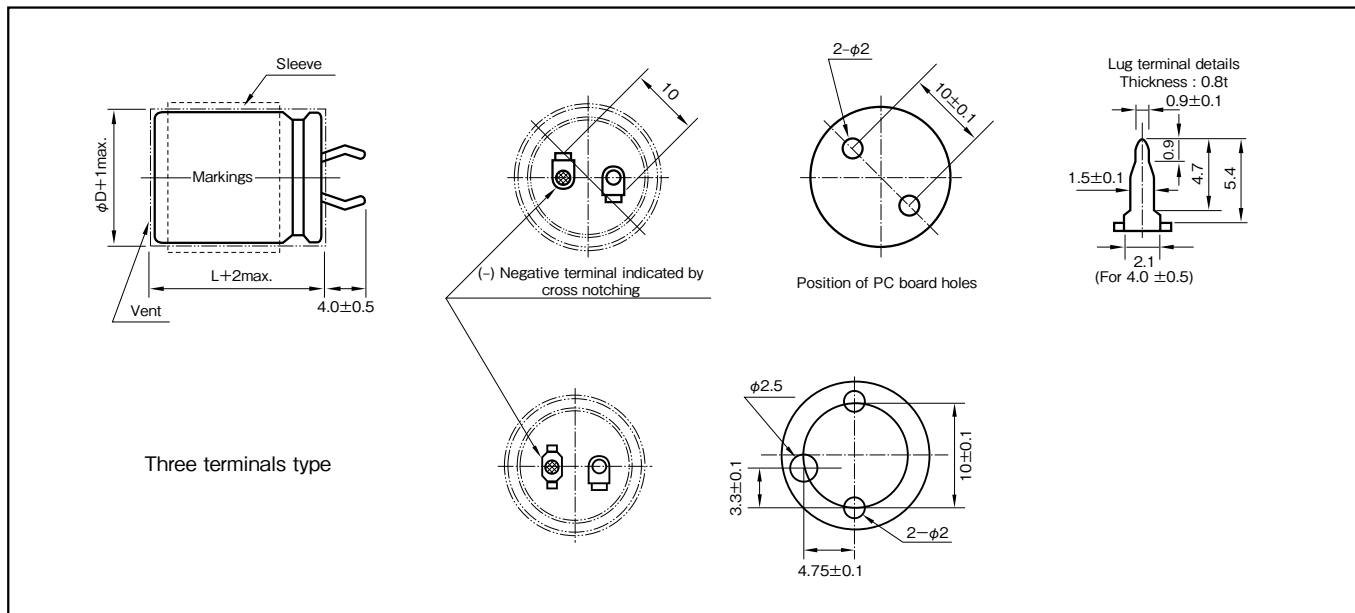


Specifications

Item	Performance	
Category temperature range (°C)	-25 to +105	
Tolerance at rated capacitance (%)	±20 (20°C, 120Hz)	
Leakage current (μA)	Less than 0.02CV or 3mA whichever is smaller (after 5 minutes) C : Rated capacitance (μF) ; V : Rated voltage (V) (20°C)	
Tangent of loss angle (tanδ)	Rated voltage (V)	160 to 250
	tanδ (max.)	0.15
Characteristics at high and low temperature	Percentage of capacitance change (%)	Within ±30% of the value at 20°C
	Impedance ratio (max.)	4 (120Hz)
Endurance (105°C) (Applied ripple current)	Test time	2000 hours
	Leakage current	The initial specified value or less
	Percentage of capacitance change	Within ±20% of initial value
	Tangent of the loss angle	200% or less of the initial specified value
Shelf life (105°C)	Test time	1000 hours
	Leakage current	The initial specified value or less
	Percentage of capacitance change	Within ±15% of initial value
	Tangent of the loss angle	150% or less of the initial specified value
Applicable standards	Voltage application treatment JIS C5101-1, -4 1998 (IEC 60384-1 1992, -4 1985)	

Outline Drawing

Unit : mm



Part numbering system					
series LAT, standard terminal type :400V220μF					
LAT	—	400 V	221	M	S52 # B
Series code	Rated voltage symbol	Rated capacitance symbol	Capacitance tolerance symbol	Casing symbol	Optional symbol
series LTT, three terminals type :400V220μF					
LTT	—	400 V	221	M	S52 # B
Series code	Rated voltage symbol	Rated capacitance symbol	Capacitance tolerance symbol	Casing symbol	Optional symbol

Coefficient of Frequency for Rated Ripple Current

Rated voltage (V)	Frequency (Hz)				
	50	120	1k	10k	30k
160 to 250	0.87	1	1.11	1.18	1.20
315 or more	0.80	1	1.14	1.19	1.20

• The electric characteristics are described on page 185.

Standard Ratings

Rated voltage(V) Case φD×L(mm)		Item Casing symbol	160		200		250		315		350	
			Rated capacitance (μF)	Rated ripple current (Arms)	Rated capacitance (μF)	Rated ripple current (Arms)	Rated capacitance (μF)	Rated ripple current (Arms)	Rated capacitance (μF)	Rated ripple current (Arms)	Rated capacitance (μF)	Rated ripple current (Arms)
22×20	S21	220	0.70	150	0.58	120	0.52	68	0.39	56	0.35	
22×25	S22	390	1.30	330	1.22	270	1.11	120	0.75	100	0.51	
22×30	S23	470	1.47	470	1.44	330	1.26	150	0.82	120	0.61	
22×35	S24	560	1.58	560	1.64	390	1.37	180	0.91	150	0.73	
22×40	S25	680	1.71	680	1.72	470	1.64	220	1.02	180	0.84	
22×45	S26	820	2.00	820	1.91	560	1.71	270	1.16	220	0.98	
22×50	S27	1000	2.20	1000	2.20	680	1.84	330	1.20	270	1.09	
25×20	S31	270	0.84	180	0.68	150	0.62	100	0.51	82	0.46	
25×25	S32	470	1.55	470	1.48	390	1.42	180	0.90	150	0.68	
25×30	S33	680	1.70	680	1.69	470	1.55	220	1.00	180	0.80	
25×35	S34	820	2.00	820	1.91	560	1.71	270	1.10	220	0.99	
25×40	S35	1000	2.20	1000	2.15	680	1.97	330	1.20	270	1.09	
25×45	S36	1200	2.45	1200	2.47	820	1.99	390	1.30	330	1.20	
25×50	S37	1500	2.86	—	—	1000	2.23	470	1.40	390	1.28	
30×20	S41	390	1.13	330	1.04	220	0.92	150	0.70	120	0.69	
30×25	S42	680	1.82	680	1.84	390	1.31	270	1.10	220	0.99	
30×30	S43	1000	2.20	820	2.00	680	1.97	330	1.20	270	1.09	
30×35	S44	1200	2.44	1200	2.45	820	2.20	390	1.30	330	1.20	
30×40	S45	1500	2.82	1500	2.82	1200	2.61	470	1.40	390	1.28	
30×45	S46	1800	3.31	—	—	—	—	560	1.50	470	1.37	
30×50	S47	2200	3.81	1800	3.32	1500	3.03	680	1.70	560	1.54	
35×20	S51	560	1.49	470	1.37	330	1.14	180	0.83	150	0.76	
35×25	S52	1000	2.20	1000	2.21	560	1.68	330	1.20	270	1.09	
35×30	S53	1500	2.50	1500	2.82	1000	2.12	470	1.40	390	1.28	
35×35	S54	1800	2.92	1800	3.25	—	—	560	1.50	470	1.37	
35×40	S55	2200	3.34	—	—	1500	2.82	680	1.70	560	1.54	
35×45	S56	2200	3.48	2200	3.84	1800	2.98	820	2.00	680	1.82	
35×50	S57	2700	3.97	2700	4.19	2200	3.58	—	—	820	2.08	

Rated voltage(V) Case φD×L(mm)		Item Casing symbol	400		450		500	
			Rated capacitance (μF)	Rated ripple current (Arms)	Rated capacitance (μF)	Rated ripple current (Arms)	Rated capacitance (μF)	Rated ripple current (Arms)
22×20	S21	56	0.39	56	0.35	22	0.24	
		68	0.43	—	—	27	0.28	
22×25	S22	100	0.56	82	0.47	33	0.32	
		120	0.61	100	0.54	39	0.37	
22×30	S23	120	0.70	100	0.56	47	0.41	
		150	0.72	120	0.62	56	0.47	
22×35	S24	150	0.73	120	0.65	68	0.54	
		220	0.88	150	0.73	—	—	
22×40	S25	180	0.84	150	0.77	82	0.62	
		270	1.03	180	0.84	—	—	
22×45	S26	220	0.99	180	0.89	100	0.67	
		270	1.10	220	0.98	—	—	
22×50	S27	330	1.28	220	1.03	120	0.77	
		—	—	270	1.14	—	—	
25×20	S31	68	0.46	56	0.38	—	—	
		82	0.51	—	—	—	—	
25×25	S32	150	0.68	100	0.71	—	—	
		180	0.74	120	0.61	—	—	
25×30	S33	180	0.80	150	0.82	68	0.54	
		220	0.88	180	0.90	—	—	
25×35	S34	220	1.04	180	0.96	82	0.62	
		270	1.10	220	0.99	—	—	
25×40	S35	270	1.11	220	1.00	100	0.67	
		330	1.23	270	1.11	120	0.74	
25×45	S36	330	1.29	270	1.17	150	0.82	
		390	1.40	—	—	—	—	
25×50	S37	390	1.43	270	1.22	180	0.98	
		470	1.57	330	1.35	—	—	
30×20	S41	82	0.52	82	0.52	—	—	
		100	0.57	100	0.57	—	—	
30×25	S42	180	0.90	150	0.83	—	—	
		270	1.05	180	0.72	—	—	
30×30	S43	270	1.09	220	1.12	100	0.67	
		330	1.21	270	1.20	—	—	
30×35	S44	330	1.34	270	1.24	120	0.77	
		390	1.47	330	1.30	—	—	
30×40	S45	390	1.51	390	1.32	150	0.85	
		470	1.60	—	—	—	—	
30×45	S46	470	1.65	390	1.35	180	1.01	
		560	1.80	470	1.52	—	—	
30×50	S47	560	1.84	—	—	220	1.12	
		680	2.03	—	—	270	1.25	
35×20	S51	120	0.75	120	0.72	—	—	
		150	0.84	150	0.80	—	—	
35×25	S52	270	1.20	220	1.04	—	—	
		330	1.33	270	1.15	—	—	
35×30	S53	390	1.40	270	1.26	120	0.80	
		470	1.50	330	1.39	—	—	
35×35	S54	470	1.69	390	1.54	150	0.85	
		560	1.80	—	—	—	—	
35×40	S55	560	1.82	470	1.59	220	1.12	
		680	1.90	—	—	270	1.25	
35×45	S56	680	1.95	470	1.64	330	1.36	
		820	2.14	560	1.79	—	—	
35×50	S57	—	—	560	2.02	390	1.54	
		—	—	680	2.23	—	—	

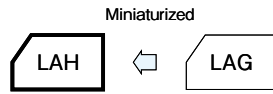
(Note) Rated ripple current : 105°C , 120Hz

NOTE : Design, Specifications are subject to change without notice.
It is recommended that you shall obtain technical specifications from ELNA to ensure that the component is suitable for your use.

Miniaturized, High-Reliability, High-Ripple Capacitors

GREEN CAP 105°C
2000hours

- High-reliability, high-ripple capacitors.
- Guarantees 2000 hours at 105°C.



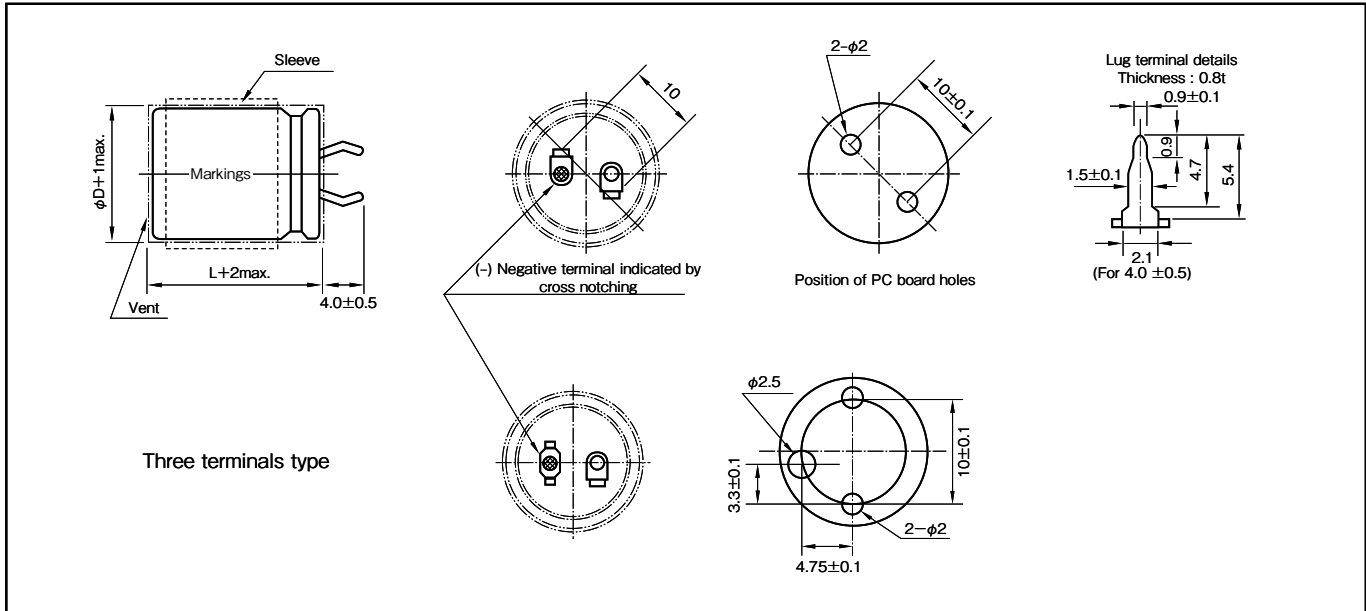
Marking color : White print on a black sleeve

Specifications

Item	Performance	
Category temperature range (°C)	-40 to +105 (-25 to +105 at 160V or more)	
Tolerance at rated capacitance (%)	± 20 (20°C, 120Hz)	
Leakage current (μA)	Less than 0.02CV or 3mA whichever is smaller (after 5 minutes) C : Rated capacitance (μF) ; V : Rated voltage (V) (20°C)	
Tangent of loss angle (tanδ)	Rated voltage (V)	16 25 35 50 63 to 100 160 to 250 400 to 450
	tanδ (max.)	0.50 0.40 0.35 0.30 0.20 0.15 0.20
Characteristics at high and low temperature	Rated voltage (V)	16 to 100 160 to 200 250 to 400
	Impedance ratio (max.)	Z-25°C/Z+20°C 4 4 4 Z-40°C/Z+20°C 15 — —
Endurance (105°C) (Applied ripple current)	Test time	2000 hours
	Leakage current	The initial specified value or less
	Percentage of capacitance change	Within ±20% of initial value
	Tangent of the loss angle	200% or less of the initial specified value
Shelf life (105°C)	Test time	1000 hours
	Leakage current	The initial specified value or less
	Percentage of capacitance change	Within ±15% of initial value
	Tangent of the loss angle	150% or less of the initial specified value
Applicable standards	JIS C5101-1, -4 1998 (IEC 60384-1 1992, -4 1985)	

Outline Drawing

Unit: mm



Part numbering system					
series LAH, standard terminal type :400V330μF					
LAH	—	400	V	331	M S54 # B
Series code		Rated voltage symbol		Rated capacitance symbol	Capacitance tolerance symbol Casing symbol Optional symbol
series LTH, three terminals type :400V330μF					
LTH	—	400	V	331	M S54 # B
Series code		Rated voltage symbol		Rated capacitance symbol	Capacitance tolerance symbol Casing symbol Optional symbol

Coefficient of Frequency for Rated Ripple Current

Rated voltage (V)	Frequency (Hz)				
	50	120	1k	10k	30k
100 or less	0.95	1	1.10	1.15	1.15
160 to 250	0.87	1	1.11	1.18	1.20
315 or more	0.80	1	1.14	1.19	1.20

Standard Ratings

Rated voltage(V) Case φD×L(mm)		16		25		35		50		63		80		100	
		Rated capacitance (μF)	Rated ripple current (Arms)	Rated capacitance (μF)	Rated ripple current (Arms)	Rated capacitance (μF)	Rated ripple current (Arms)	Rated capacitance (μF)	Rated ripple current (Arms)	Rated capacitance (μF)	Rated ripple current (Arms)	Rated capacitance (μF)	Rated ripple current (Arms)	Rated capacitance (μF)	Rated ripple current (Arms)
22×25	S22	6800	1.60	4700	1.55	3300	1.43	1800	1.31	1200	1.25	820	1.11	560	1.07
22×30	S23	10000	1.99	6800	1.91	3900	1.65	2700	1.70	1800	1.52	1200	1.39	820	1.35
22×35	S24	12000	2.28	8200	2.14	5600	2.02	3300	1.98	2200	1.73	1500	1.61	1000	1.54
22×40	S25	15000	2.64	10000	2.40	6800	2.28	3900	2.25	2700	1.97	1800	1.83	1200	1.74
22×45	S26	18000	2.98	12000	2.69	—	—	4700	2.56	—	—	2200	2.09	1500	1.99
22×50	S27	—	—	—	—	8200	2.67	5600	2.89	3300	2.32	—	—	—	—
25×25	S32	10000	1.99	6800	1.91	4700	1.78	2700	1.70	1800	1.52	1200	1.39	820	1.35
25×30	S33	12000	2.30	8200	2.16	5600	2.04	3300	2.00	2200	1.75	1500	1.62	1000	1.56
25×35	S34	15000	2.68	10000	2.44	6800	2.31	3900	2.28	2700	1.99	2200	2.01	1200	1.76
25×40	S35	18000	3.04	12000	2.74	8200	2.60	5600	2.81	3300	2.27	—	—	1500	2.03
25×45	S36	22000	3.40	15000	3.15	10000	2.92	—	—	3900	2.54	2700	2.43	1800	2.28
25×50	S37	27000	3.81	18000	3.54	12000	3.26	6800	3.37	4700	2.88	3300	2.76	2200	2.57
30×25	S42	12000	2.38	8200	2.25	5600	2.12	3900	2.22	2700	1.93	1800	1.81	1200	1.71
30×30	S43	18000	3.00	12000	2.70	8200	2.56	4700	2.58	3300	2.24	2200	2.10	1500	2.00
30×35	S44	22000	3.39	15000	3.13	10000	2.92	5600	2.95	3900	2.55	2700	2.43	1800	2.27
30×40	S45	27000	3.83	18000	3.54	12000	3.28	6800	3.39	4700	2.90	3300	2.78	2200	2.59
30×45	S46	33000	4.30	22000	4.24	15000	3.74	8200	3.71	5600	3.28	3900	3.12	2700	2.94
30×50	S47	39000	4.74	—	—	—	—	10000	4.09	6800	3.73	4700	3.56	3300	3.32
35×25	S52	18000	3.10	12000	2.80	8200	2.78	4700	2.67	3300	2.41	2200	2.17	1500	2.07
35×30	S53	27000	3.74	15000	3.22	12000	3.20	6800	3.31	4700	2.83	3300	2.71	2200	2.52
35×35	S54	33000	4.24	22000	3.96	15000	3.69	8200	3.66	5600	3.24	3900	3.07	2700	2.90
35×40	S55	39000	4.72	—	—	18000	4.16	10000	4.07	6800	3.71	4700	3.50	3300	3.31
35×45	S56	47000	5.27	27000	4.75	—	—	12000	4.50	8200	4.16	5600	3.87	3900	3.69
35×50	S57	—	—	33000	5.39	22000	4.92	—	—	10000	4.69	6800	4.19	4700	4.14

Rated voltage(V) Case φD×L(mm)		160		180		200		250		400		450	
		Rated capacitance (μF)	Rated ripple current (Arms)	Rated capacitance (μF)	Rated ripple current (Arms)	Rated capacitance (μF)	Rated ripple current (Arms)	Rated capacitance (μF)	Rated ripple current (Arms)	Rated capacitance (μF)	Rated ripple current (Arms)	Rated capacitance (μF)	Rated ripple current (Arms)
22×25	S22	330	1.16	270	1.08	220	1.08	180	0.94	68	0.47	56	0.47
22×30	S23	390	1.43	330	1.30	330	1.30	220	1.10	82	0.56	68	0.56
22×35	S24	470	1.52	470	1.50	390	1.41	270	1.13	120	0.64	82	0.64
22×40	S25	560	1.62	560	1.62	470	1.50	330	1.20	150	0.70	100	0.70
22×45	S26	680	1.70	—	—	560	1.58	390	1.26	—	—	120	0.73
22×50	S27	820	1.81	680	1.76	680	1.68	470	1.37	180	0.78	150	0.78
25×25	S32	470	1.55	390	1.35	330	1.35	220	1.15	82	0.65	68	0.65
25×30	S33	560	1.73	470	1.62	470	1.47	330	1.30	120	0.70	100	0.70
25×35	S34	680	1.81	560	1.69	560	1.65	390	1.41	150	0.73	120	0.73
25×40	S35	820	1.98	680	1.72	680	1.80	470	1.52	180	0.82	150	0.82
25×45	S36	1000	2.04	820	1.78	—	—	560	1.59	220	0.87	180	0.87
25×50	S37	1200	2.12	1000	1.91	820	1.87	680	1.66	270	0.94	220	0.94
30×25	S42	680	1.82	560	1.67	470	1.56	330	1.30	120	0.78	100	0.78
30×30	S43	820	1.98	680	1.74	680	1.82	470	1.36	180	0.83	150	0.83
30×35	S44	1000	2.14	820	1.85	820	1.99	560	1.57	220	0.86	180	0.86
30×40	S45	1200	2.22	1000	2.01	—	—	680	1.76	270	0.95	220	0.95
30×45	S46	1500	2.46	1200	2.19	1000	2.17	820	1.83	330	1.11	270	1.11
30×50	S47	—	—	1500	2.36	1200	2.22	1000	1.87	390	1.15	330	1.15
35×25	S52	820	1.93	680	1.92	680	1.96	470	1.40	180	0.86	150	0.86
35×30	S53	1200	2.40	1000	2.16	820	2.07	560	1.56	270	0.91	220	0.91
35×35	S54	1500	2.53	1200	2.34	1000	2.22	820	1.82	330	1.13	270	1.13
35×40	S55	—	—	1500	2.56	1200	2.42	1000	1.99	390	1.26	330	1.26
35×45	S56	1800	2.98	1800	2.67	1500	2.59	1200	2.10	470	1.31	390	1.31
35×50	S57	2200	3.10	—	—	1800	2.70	—	—	560	1.50	470	1.50

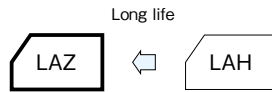
(Note) Rated ripple current : 105°C , 120Hz

LARGE ALUMINUM

High-Reliability, High-Ripple, Long Life Capacitors

GREEN CAP 105°C 3000hours

- High-reliability, high-ripple, long life capacitors.
- Guarantees 3000 hours at 105°C.



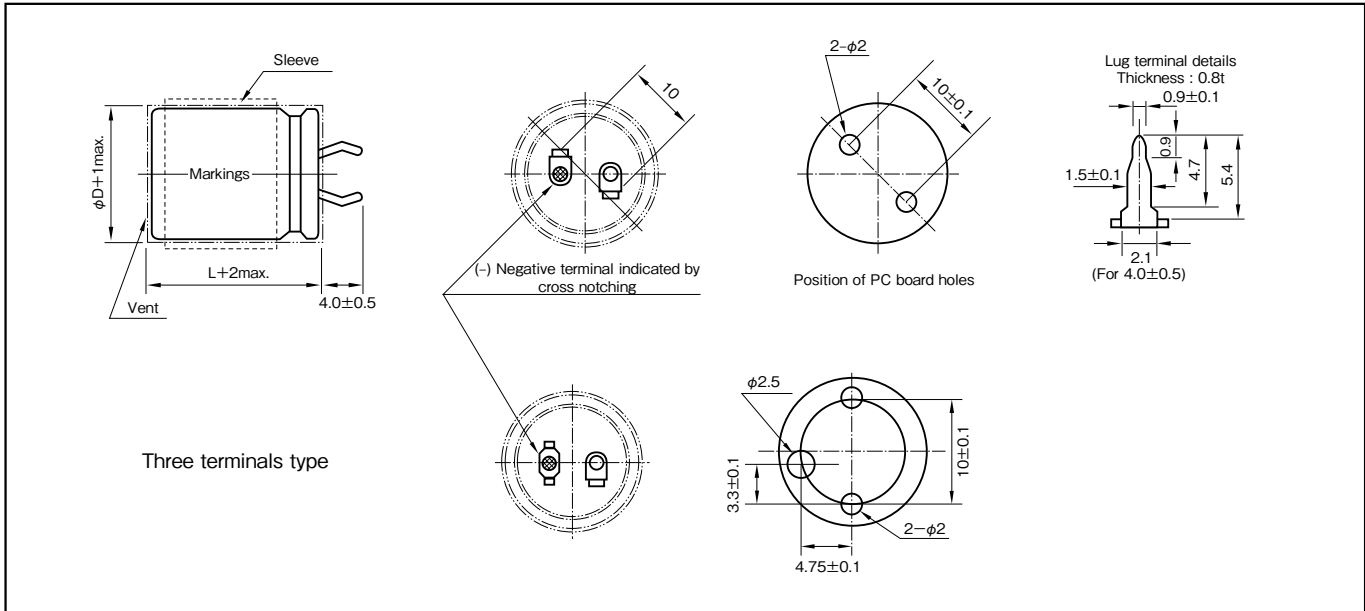
Marking color : White print on a black sleeve

Specifications

Item	Performance							
Category temperature range (°C)	-40 to +105 (-25 to +105 at 160V or more)							
Tolerance at rated capacitance (%)	±20 (20°C, 120Hz)							
Leakage current (µA)	Less than 0.02CV or 3mA whichever is smaller (after 5 minutes) C : Rated capacitance (µF) ; V : Rated voltage (V) (20°C)							
Tangent of loss angle (tanδ)	Rated voltage (V)	16	25	35	50	63 to 100	160 to 250	400 to 450
	tanδ (max.)	0.50	0.40	0.35	0.30	0.20	0.15	0.20
Characteristics at high and low temperature	Rated voltage (V)	16 to 100		160 to 200		250 to 400		
	Impedance ratio (max.)	Z-25°C/Z+20°C		Z-40°C/Z+20°C		Z-25°C/Z+20°C		
Endurance (105°C) (Applied ripple current)	Test time	3000 hours						
	Leakage current	The initial specified value or less						
	Percentage of capacitance change	Within ±20% of initial value						
	Tangent of the loss angle	200% or less of the initial specified value						
Shelf life (105°C)	Test time	1000 hours						
	Leakage current	The initial specified value or less						
	Percentage of capacitance change	Within ±15% of initial value						
	Tangent of the loss angle	150% or less of the initial specified value						
Voltage application treatment								
Applicable standards	JIS C5101-1, -4 1998 (IEC 60384-1 1992, -4 1985)							

Outline Drawing

Unit: mm



Part numbering system					
series LAZ, standard terminal type :400V330µF					
LAZ	—	400 V	331	M	S54 # B
Series code	Rated voltage symbol	Rated capacitance symbol	Capacitance tolerance symbol	Casing symbol	Optional symbol
series LTZ, three terminals type :400V330µF					
LTZ	—	400 V	331	M	S54 # B
Series code	Rated voltage symbol	Rated capacitance symbol	Capacitance tolerance symbol	Casing symbol	Optional symbol

Coefficient of Frequency for Rated Ripple Current

Rated voltage (V)	Frequency (Hz)				
	50	120	1k	10k	30k
100 or less	0.95	1	1.10	1.15	1.15
160 to 250	0.87	1	1.11	1.18	1.20
315 or more	0.80	1	1.14	1.19	1.20

• The electric characteristics are described on page 185.

NOTE : Design, Specifications are subject to change without notice. It is recommended that you shall obtain technical specifications from ELNA to ensure that the component is suitable for your use.

Standard Ratings

Rated voltage(V)		16		25		35		50		63		80		100	
		Rated capacitance (μF)	Rated ripple current (Arms)	Rated capacitance (μF)	Rated ripple current (Arms)	Rated capacitance (μF)	Rated ripple current (Arms)	Rated capacitance (μF)	Rated ripple current (Arms)	Rated capacitance (μF)	Rated ripple current (Arms)	Rated capacitance (μF)	Rated ripple current (Arms)	Rated capacitance (μF)	Rated ripple current (Arms)
Case φDxL(mm)	Item Casing symbol														
22x25	S22	6800	1.60	4700	1.55	3300	1.43	1800	1.31	1200	1.25	820	1.11	560	1.07
22x30	S23	10000	1.99	6800	1.91	3900	1.65	2700	1.70	1800	1.52	1200	1.39	820	1.35
22x35	S24	12000	2.28	8200	2.14	5600	2.02	3300	1.98	2200	1.73	1500	1.61	1000	1.54
22x40	S25	15000	2.64	10000	2.40	6800	2.28	3900	2.25	2700	1.97	1800	1.83	1200	1.74
22x45	S26	18000	2.98	12000	2.69	—	—	4700	2.56	—	—	2200	2.09	1500	1.99
22x50	S27	—	—	—	—	8200	2.67	5600	2.89	3300	2.32	—	—	—	—
25x25	S32	10000	1.99	6800	1.91	4700	1.78	2700	1.70	1800	1.52	1200	1.39	820	1.35
25x30	S33	12000	2.30	8200	2.16	5600	2.04	3300	2.00	2200	1.75	1500	1.62	1000	1.56
25x35	S34	15000	2.68	10000	2.44	6800	2.31	3900	2.28	2700	1.99	2200	2.01	1200	1.76
25x40	S35	18000	3.04	12000	2.74	8200	2.60	5600	2.81	3300	2.27	—	—	1500	2.03
25x45	S36	22000	3.40	15000	3.15	10000	2.92	—	—	3900	2.54	2700	2.43	1800	2.28
25x50	S37	27000	3.81	18000	3.54	12000	3.26	6800	3.37	4700	2.88	3300	2.76	2200	2.57
30x25	S42	12000	2.38	8200	2.25	5600	2.12	3900	2.22	2700	1.93	1800	1.81	1200	1.71
30x30	S43	18000	3.00	12000	2.70	8200	2.56	4700	2.58	3300	2.24	2200	2.10	1500	2.00
30x35	S44	22000	3.39	15000	3.13	10000	2.92	5600	2.95	3900	2.55	2700	2.43	1800	2.27
30x40	S45	27000	3.83	18000	3.54	12000	3.28	6800	3.39	4700	2.90	3300	2.78	2200	2.59
30x45	S46	33000	4.30	22000	4.24	15000	3.74	8200	3.71	5600	3.28	3900	3.12	2700	2.94
30x50	S47	39000	4.74	—	—	—	—	10000	4.09	6800	3.73	4700	3.56	3300	3.32
35x25	S52	18000	3.10	12000	2.80	8200	2.78	4700	2.67	3300	2.41	2200	2.17	1500	2.07
35x30	S53	27000	3.74	15000	3.22	12000	3.20	6800	3.31	4700	2.83	3300	2.71	2200	2.52
35x35	S54	33000	4.24	22000	3.96	15000	3.69	8200	3.66	5600	3.24	3900	3.07	2700	2.90
35x40	S55	39000	4.72	—	—	18000	4.16	10000	4.07	6800	3.71	4700	3.50	3300	3.31
35x45	S56	47000	5.27	27000	4.75	—	—	12000	4.50	8200	4.16	5600	3.87	3900	3.69
35x50	S57	—	—	33000	5.39	22000	4.92	—	—	10000	4.69	6800	4.19	4700	4.14

Rated voltage(V)		160		180		200		250		400		450	
		Rated capacitance (μF)	Rated ripple current (Arms)	Rated capacitance (μF)	Rated ripple current (Arms)	Rated capacitance (μF)	Rated ripple current (Arms)	Rated capacitance (μF)	Rated ripple current (Arms)	Rated capacitance (μF)	Rated ripple current (Arms)	Rated capacitance (μF)	Rated ripple current (Arms)
Case φDxL(mm)	Item Casing symbol												
22x20	S21	180	0.70	180	0.70	150	0.76	120	0.63	47	0.37	—	—
22x25	S22	330	1.42	270	1.08	270	1.17	180	1.00	68	0.48	56	0.50
22x30	S23	390	1.43	330	1.30	330	1.40	220	1.20	82	0.57	68	0.60
22x35	S24	470	1.63	390	1.35	390	1.45	—	—	100	0.62	82	0.63
22x40	S25	560	1.75	470	1.50	470	1.55	270	1.25	120	0.75	82	0.65
22x45	S26	680	1.98	560	1.62	470	1.63	330	1.30	150	0.85	100	0.76
22x50	S27	—	—	—	—	—	—	390	1.41	—	—	120	0.78
25x20	S31	—	—	680	1.75	560	1.65	390	1.49	180	0.98	120	0.80
25x25	S32	820	2.35	680	1.80	680	1.78	470	1.65	220	1.10	150	0.95
25x30	S33	—	—	—	—	—	—	—	—	—	—	180	1.04
25x35	S34	220	0.95	220	0.85	220	0.94	150	0.92	68	0.46	—	—
25x40	S35	270	1.02	—	—	—	—	—	—	—	—	—	—
25x45	S36	390	1.45	390	1.35	330	1.40	220	1.20	82	0.65	68	0.56
25x50	S37	470	1.55	—	—	—	—	—	—	100	0.65	82	0.64
30x20	S41	560	1.73	470	1.62	470	1.55	330	1.35	120	0.71	100	0.72
30x25	S42	680	1.82	—	—	—	—	—	—	150	0.83	120	0.79
30x30	S43	680	1.98	560	1.69	560	1.65	390	1.45	150	0.85	120	0.80
30x35	S44	—	—	680	1.72	—	—	—	—	180	0.98	150	0.88
30x40	S45	820	2.35	680	1.75	680	1.92	470	1.67	180	1.01	150	0.95
30x45	S46	—	—	820	1.85	—	—	—	—	220	1.05	180	1.04
30x50	S47	1000	2.50	820	1.85	820	2.20	560	1.85	220	1.20	180	1.05
35x20	S51	1200	2.74	1000	1.91	—	—	—	—	270	1.33	220	1.16
35x25	S52	1200	2.87	1000	1.95	820	2.29	680	2.20	270	1.35	220	1.30
35x30	S53	1500	3.21	1200	2.19	1000	2.51	820	2.50	330	1.60	270	1.50
35x35	S54	—	—	1500	2.36	1200	2.75	—	—	390	1.74	—	—
35x40	S55	1800	4.07	1500	2.52	1200	2.86	1000	2.90	390	1.80	330	1.90
35x45	S56	—	—	—	—	1500	3.20	—	—	470	1.98	—	—
35x50	S57	—	—	—	—	—	—	—	—	—	—	—	—
35x20	S51	560	1.82	470	1.40	470	1.67	330	1.30	150	0.86	—	—
35x25	S52	820	2.35	680	1.92	680	2.20	470	1.65	180	1.00	150	0.95
35x30	S53	—	—	820	1.95	—	—	560	1.80	220	1.11	220	1.15
35x35	S54	1000	2.50	1000	2.16	820	2.40	560	1.85	270	1.35	220	1.35
35x40	S55	1200	2.74	—	—	1000	2.50	680	2.04	330	1.49	—	—
35x45	S56	1500	3.21	1200	2.34	1200	2.63	820	2.35	330	1.60	270	1.28
35x50	S57	—	—	1500	2.56	—	—	—	—	390	1.74	330	1.57
35x20	S51	1800	3.94	1500	2.56	1200	2.75	1000	2.90	390	1.80	390	2.00
35x25	S52	—	—	1800	2.60	1500	3.45	—	—	470	1.98	—	—
35x30	S53	1800	4.15	1800	2.67	1500	3.60	1200	3.30	470	2.10	470	2.27
35x35	S54	2200	4.35	—	—	1800	4.00	—	—	560	2.30	—	—
35x40	S55	2200	4.65	2200	3.15	1800	4.16	1500	3.80	560	2.48	—	—
35x45	S56	2700	5.15	—	—	2200	4.50	—	—	—	—	—	—
35x50	S57	—	—	—	—	—	—	—	—	—	—	—	—

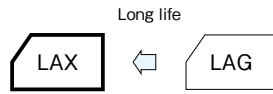
(Note) Rated ripple current : 105°C , 120Hz

NOTE : Design, Specifications are subject to change without notice.
It is recommended that you shall obtain technical specifications from ELNA to ensure that the component is suitable for your use.

Ultra Long Life, High-Reliability Capacitors

GREEN CAP **105°C**
5000hours

- Ultra Long Life, high-reliability capacitors.
- Guarantees 5000 hours at 105°C.



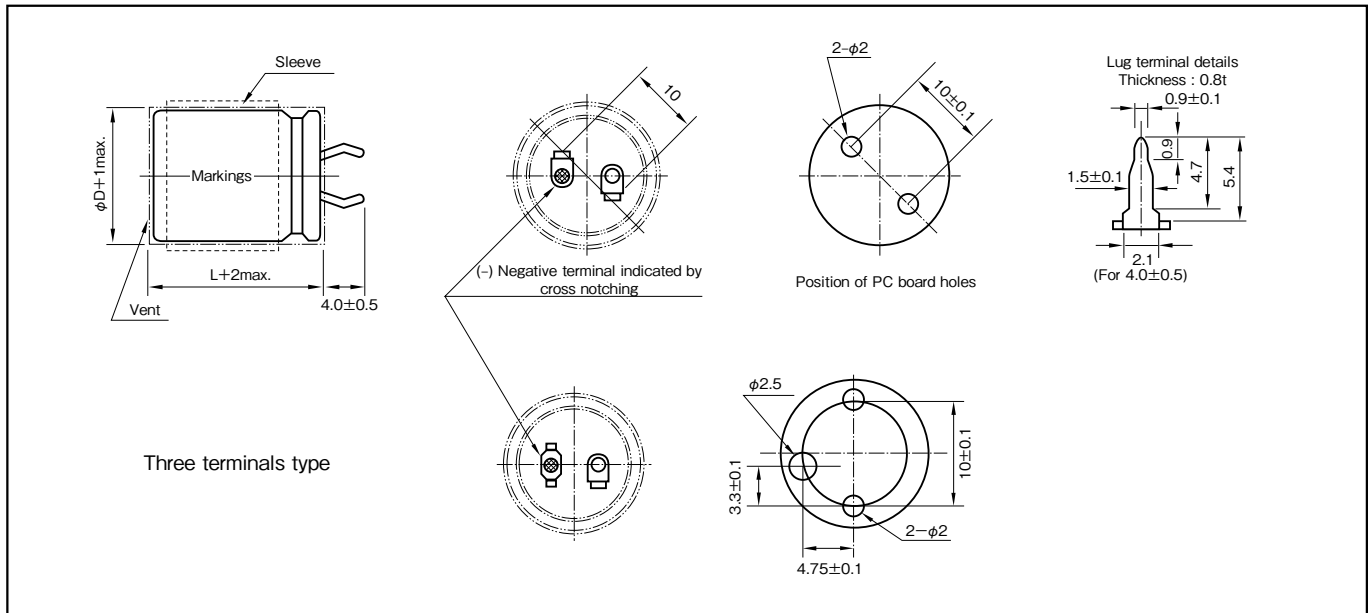
Marking color : White print on a black sleeve

Specifications

Item	Performance					
Category temperature range (°C)	-25 to +105					
Tolerance at rated capacitance (%)	±20 (20°C, 120Hz)					
Leakage current (µA)	Less than 0.02CV or 3mA whichever is smaller (after 5 minutes) C : Rated capacitance (µF) ; V : Rated voltage (V) (20°C)					
Tangent of loss angle (tanδ)	Rated voltage (V)	160	200	250	400	450
	tanδ (max.)	0.215	0.15	0.15	0.20	0.20
Characteristics at high and low temperature	Percentage of capacitance change (%)	-25°C	Within ±30% of the value at 20°C			
	Impedance ratio (max.)	Z-25°C/Z+20°C	4			
Endurance (105°C) (Applied ripple current)	Test time	5000 hours				
	Leakage current	The initial specified value or less				
	Percentage of capacitance change	Within ±20% of initial value				
	Tangent of the loss angle	200% or less of the initial specified value				
Shelf life (105°C)	Test time	1000 hours				
	Leakage current	The initial specified value or less				
	Percentage of capacitance change	Within ±15% of initial value				
	Tangent of the loss angle	150% or less of the initial specified value				
Voltage application treatment						
Applicable standards	JIS C5101-1, -4 1998 (IEC 60384-1 1992, -4 1985)					

Outline Drawing

Unit: mm



Part numbering system					
series LAX, standard terminal type : 400V470µF					
LAX	— 200 V	471	M	S34 #	B
Series code	Rated voltage symbol	Rated capacitance symbol	Capacitance tolerance symbol	Casing symbol	Optional symbol
series LTX, three terminals type : 400V220µF					
LTX	— 400 V	221	M	S53 #	B
Series code	Rated voltage symbol	Rated capacitance symbol	Capacitance tolerance symbol	Casing symbol	Optional symbol

Coefficient of Frequency for Rated Ripple Current

Rated voltage (V)	Frequency (Hz)				
	50	120	1k	10k	30k
160 to 250	0.87	1	1.11	1.18	1.20
400, 450	0.80	1	1.14	1.19	1.20

• The electric characteristics are described on page 186.

NOTE : Design, Specifications are subject to change without notice.
It is recommended that you shall obtain technical specifications from ELNA to ensure that the component is suitable for your use.

Standard Ratings

Case φD×L(mm)	Item Casing symbol	160		200		250		400		450	
		Rated capacitance (μF)	Rated ripple current (Arms)	Rated capacitance (μF)	Rated ripple current (Arms)	Rated capacitance (μF)	Rated ripple current (Arms)	Rated capacitance (μF)	Rated ripple current (Arms)	Rated capacitance (μF)	Rated ripple current (Arms)
22×25	S22	270	0.91	180	0.75	150	0.68	56	0.34	—	—
22×30	S23	330	1.09	270	0.99	180	0.81	68	0.40	68	0.38
22×35	S24	390	1.27	330	1.16	220	0.95	82	0.47	82	0.44
22×40	S25	470	1.36	390	1.24	270	1.03	120	0.56	100	0.50
22×45	S26	560	1.44	470	1.31	330	1.10	—	—	—	—
22×50	S27	680	1.52	—	—	390	1.16	150	0.63	120	0.58
25×25	S32	390	1.15	270	0.96	180	0.78	82	0.41	—	—
25×30	S33	470	1.36	330	1.14	270	1.03	100	0.51	82	0.45
25×35	S34	560	1.54	470	1.45	330	1.21	120	0.60	100	0.52
25×40	S35	680	1.68	560	1.55	390	1.29	150	0.66	120	0.58
25×45	S36	820	1.74	—	—	—	—	180	0.72	150	0.66
25×50	S37	—	—	680	1.72	470	1.43	220	0.80	180	0.74
30×25	S42	560	1.45	390	1.21	270	1.01	100	0.50	82	0.46
30×30	S43	680	1.68	470	1.43	330	1.16	150	0.66	120	0.58
30×35	S44	820	1.82	560	1.66	470	1.33	180	0.77	150	0.68
30×40	S45	1000	1.90	680	1.79	560	1.48	220	0.85	180	0.77
30×45	S46	—	—	820	1.95	680	1.71	—	—	220	0.88
30×50	S47	1200	2.09	1000	2.00	820	1.94	330	1.12	270	0.99
35×30	S53	820	1.93	680	1.76	470	1.33	220	0.89	180	0.77
35×35	S54	1000	2.15	820	2.05	560	1.55	270	0.96	220	0.88
35×40	S55	1500	2.52	1000	2.22	680	1.69	330	1.12	270	1.01
35×45	S56	—	—	1200	2.38	1000	2.20	390	1.27	330	1.15
35×50	S57	1800	2.63	1500	2.76	—	—	470	1.33	390	1.28

(Note) Rated ripple current : 105°C , 120Hz

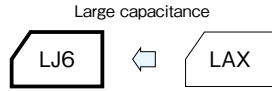
LJ6, LJ2 LARGE CAPACITANCE ALUMINUM ELECTROLYTIC CAPACITORS ELNA®

Large-Capacitance, Long-Life, High-Reliability Capacitors

GREEN CAP

105°C
5000hours

- Large-capacitance, Long-life, High-reliability capacitors.
- Guarantees 5000 hours at 105°C.



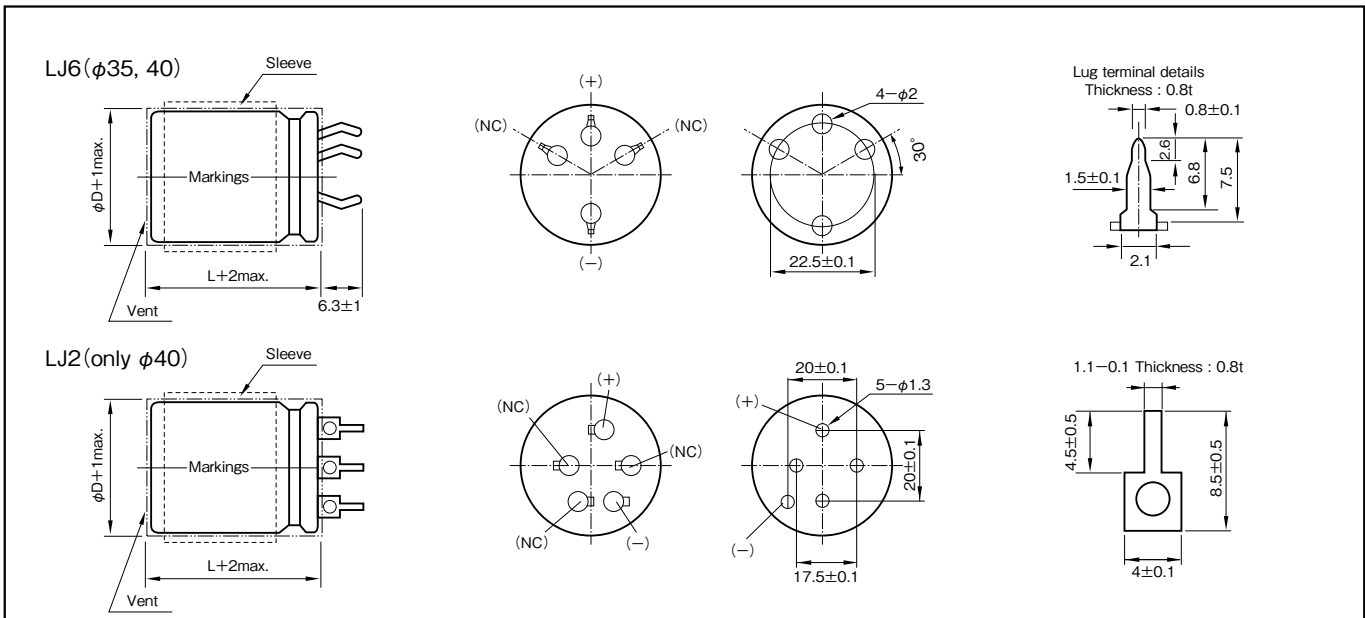
Marking color : White print on a black sleeve

Specifications

Item	Performance	
Category temperature range (°C)	-25~+105	
Tolerance at rated capacitance (%)	±20 (20°C, 120Hz)	
Leakage current (µA)	Less than 0.02CV or 5mA whichever is smaller (after 5 minutes) C : Rated capacitance (µF) ; V : Rated voltage (V) (20°C)	
Tangent of loss angle (tanδ)	Rated voltage (V)	200 to 500
	tanδ (max.)	0.15 (20°C, 120Hz)
Characteristics at high and low temperature	Percentage of capacitance change (%)	Within ±30% of the value at 20°C
	Impedance ratio (max.)	4 (120Hz)
Endurance (105°C) (Applied ripple current)	Test time	5000 hours
	Leakage current	The initial specified value or less
	Percentage of capacitance change	Within ±20% of initial value
	Tangent of the loss angle	200% or less of the initial specified value
Shelf life (105°C)	Test time	1000 hours
	Leakage current	The initial specified value or less
	Percentage of capacitance change	Within ±15% of initial value
	Tangent of the loss angle	150% or less of the initial specified value
Voltage application treatment		
Applicable standards	JIS C5101-1, -4 1998 (IEC 60384-1 1992, -4 1985)	

Outline Drawing

Unit : mm



Part numbering system (example : 350V1500µF)

LJ6	—	350	V	152	M	S6D	#	B
Series code		Rated voltage symbol		Rated capacitance symbol	Capacitance tolerance symbol	Casing symbol		Optional symbol

Coefficient of Frequency for Rated Ripple Current

Rated voltage (V)	Frequency (Hz)				
	50	120	1k	10k	30k
200 to 250	0.87	1	1.11	1.18	1.20
315 to 500	0.80	1	1.14	1.19	1.20

NOTE : Design, Specifications are subject to change without notice. It is recommended that you shall obtain technical specifications from ELNA to ensure that the component is suitable for your use.

Standard Ratings

Rated voltage(V) Case φD×L(mm)		Item Casing symbol	200			250			315			350		
			Rated capacitance (μF)	ESR (Ω Max.)	Rated ripple current (Arms)	Rated capacitance (μF)	ESR (Ω Max.)	Rated ripple current (Arms)	Rated capacitance (μF)	ESR (Ω Max.)	Rated ripple current (Arms)	Rated capacitance (μF)	ESR (Ω Max.)	Rated ripple current (Arms)
35×60	S59		2200	0.090	4.05	1500	0.13	3.17	820	0.24	2.23	820	0.24	2.10
35×70	S5B		2700	0.073	4.77	1800	0.11	3.69	1000	0.20	2.62	1000	0.20	2.46
35×80	S5C		3300	0.060	5.56	2200	0.090	4.31	1200	0.17	3.03	1200	0.17	2.84
35×90	S5D		—	—	—	—	—	—	1500	0.13	3.55	1500	0.13	3.34
35×100	S5E		3900	0.051	6.64	2700	0.073	5.24	1800	0.11	4.07	1800	0.11	3.82
40×60	S69		2200	0.090	4.40	1800	0.11	3.77	1000	0.20	2.68	1000	0.20	2.50
40×70	S6B		2700	0.073	5.17	2200	0.090	4.43	1200	0.17	3.11	1200	0.17	2.90
40×80	S6C		3300	0.060	6.02	—	—	—	1500	0.13	3.67	1500	0.13	3.40
40×90	S6D		3900	0.051	7.00	2700	0.073	5.42	1800	0.11	4.21	1800	0.11	3.95

Rated voltage(V) Case φD×L(mm)		Item Casing symbol	400			450			500		
			Rated capacitance (μF)	ESR (Ω Max.)	Rated ripple current (Arms)	Rated capacitance (μF)	ESR (Ω Max.)	Rated ripple current (Arms)	Rated capacitance (μF)	ESR (Ω Max.)	Rated ripple current (Arms)
35×60	S59		820	0.24	2.49	560	0.36	2.16	390	0.51	1.65
35×70	S5B		1000	0.20	2.93	680	0.29	2.53	470	0.42	1.92
35×80	S5C		—	—	—	820	0.24	2.94	560	0.36	2.22
35×90	S5D		1200	0.17	3.55	1000	0.20	3.41	680	0.29	2.57
35×100	S5E		1500	0.13	4.15	1200	0.17	3.90	—	—	—
40×60	S69		—	—	—	680	0.29	2.45	560	0.36	2.15
40×70	S6B		1000	0.20	3.10	820	0.24	2.84	680	0.29	2.51
40×80	S6C		—	—	—	1000	0.20	3.33	—	—	—
40×90	S6D		1200	0.17	3.65	1200	0.17	3.65	820	0.24	3.05
40×100	S6E		1500	0.13	4.30	—	—	—	1000	0.20	3.51

(Note) Rated ripple current : 105°C , 120Hz ; ESR. : 20°C , 120Hz

LM, LPM LARGE CAPACITANCE ALUMINUM ELECTROLYTIC CAPACITORS ELNA®

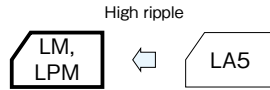
For-Inverter, High-Ripple Capacitors

GREEN CAP 85°C 2000hours

- Withstands high-ripple current generated by the voltage doubler rectifier system.
- Guarantees 2000 hours at 85°C.



Marking color : White print on a black sleeve

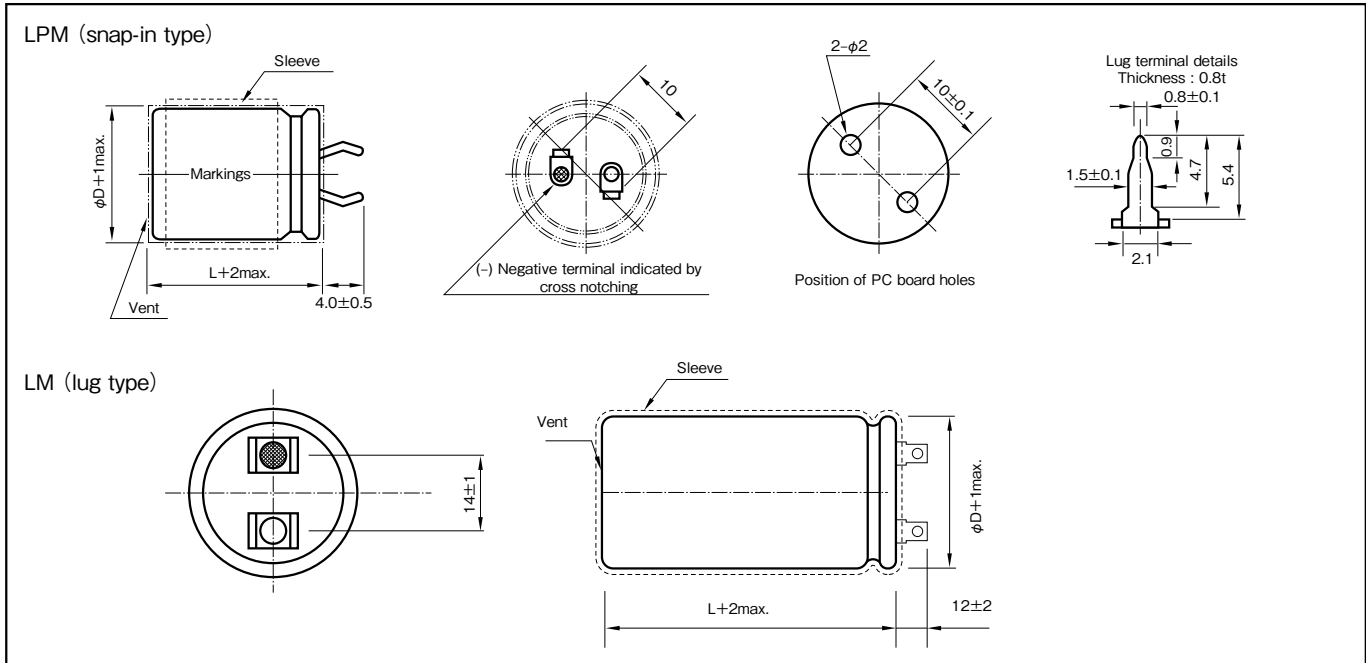


Specifications

Item	Performance	
Category temperature range (°C)	-25 to +85	
Tolerance at rated capacitance (%)	±10 (20°C, 120Hz)	
Leakage current (µA)	Less than 0.01CV or 5mA whichever is smaller (after 5 minutes) C : Rated capacitance (µF) ; V : Rated voltage (V) (20°C)	
Tangent of loss angle (tanδ)	Rated voltage (V)	250, 400
	tanδ (max.)	0.05 (20°C, 120Hz)
Characteristics at high and low temperature	Rated voltage (V)	250, 400
	Impedance ratio (max.) Z _{-25°C} /Z _{+20°C}	4 (120Hz)
Endurance (85°C) (Applied ripple current)	Test time	2000 hours
	Leakage current	The initial specified value or less
	Percentage of capacitance change	Within ±20% of initial value
	Tangent of the loss angle	200% or less of the initial specified value
Shelf life (85°C)	Test time	500 hours
	Leakage current	The initial specified value or less
	Percentage of capacitance change	Within ±15% of initial value
	Tangent of the loss angle	150% or less of the initial specified value
Applicable standards	Voltage application treatment JIS C5101-1, -4 1998 (IEC 60384-1 1992, -4 1985)	

Outline Drawing

Unit : mm



Part numbering system (example : 250V440µF)

LM	—	250 V	441	K	S6E #	B
Series code		Rated voltage symbol	Rated capacitance symbol	Capacitance tolerance symbol	Casing symbol	Optional symbol

Coefficient of Frequency for Rated Ripple Current

Rated voltage (V)	Frequency (Hz)				
	50	120	400	1k	10k
250, 400	0.80	1	1.32	1.46	1.61

LM series Standard Ratings

250V					
Rated capacitance (μ F)	Case (mm)		Casing symbol	ESR	Rated ripple current (Arms)
	ϕ D	L		(Ω max.)	
200	40	100	S6E	0.33	3.80
220	40	100	S6E	0.30	4.00
330	40	100	S6E	0.20	4.85
360	40	100	S6E	0.18	5.10
390	40	100	S6E	0.17	5.30
420	40	100	S6E	0.16	5.50
440	40	100	S6E	0.15	5.60

400V					
Rated capacitance (μ F)	Case (mm)		Casing symbol	ESR	Rated ripple current (Arms)
	ϕ D	L		(Ω max.)	
90	35	80	S5C	0.74	3.00
	40	80	S6C	0.74	3.00
100	35	90	S5D	0.66	3.20
	40	90	S6D	0.66	3.20
110	35	100	S5E	0.60	3.30
	40	100	S6E	0.60	3.30
150	35	100	S5E	0.44	3.90
	40	100	S6E	0.44	3.90
165	40	100	S6E	0.40	4.10
220	40	100	S6E	0.30	4.10

(Note) Rated ripple current : 85°C , 120Hz ; ESR. : 20°C , 120Hz

LPM series Standard Ratings

250V					
Rated capacitance (μ F)	Case (mm)		Casing symbol	ESR	Rated ripple current (Arms)
	ϕ D	L		(Ω max.)	
100	35	40	S55	0.66	1.90
110	35	40	S55	0.60	2.00
165	35	45	S56	0.40	2.45
180	35	50	S57	0.37	2.58
195	35	50	S57	0.34	2.68
210	35	50	S57	0.32	2.78
220	35	50	S57	0.30	2.80

400V					
Rated capacitance (μ F)	Case (mm)		Casing symbol	ESR	Rated ripple current (Arms)
	ϕ D	L		(Ω max.)	
45	35	50	S57	1.47	1.50
55	35	40	S55	1.21	1.70
75	35	50	S57	0.88	1.98
82	35	50	S57	0.81	2.00

(Note) Rated ripple current : 85°C , 120Hz ; ESR. : 20°C , 120Hz

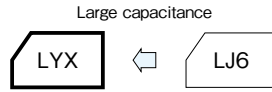
Screw Terminal, Long Life, High Temperature capacitors

GREEN CAP 105°C 2000hours

- Screw Terminal, Long Life, High Temperature capacitors.
- Guarantees 5000 hours at 105°C.



Marking color : Silver print on a black sleeve



Specifications

Item	Performance	
Category temperature range (°C)	-40 to +105	
Tolerance at rated capacitance (%)	±20 (20°C,120Hz)	
Leakage current (µA)	Less than 0.01CV or 5mA whichever is smaller (after 5 minutes) C : Rated capacitance (µF) ; V : Rated voltage (V) (20°C)	
Tangent of loss angle (tanδ)	0.20 (20°C,120Hz)	
Endurance (105°C) (Applied ripple current)	Test time	5000 hours
	Leakage current	The initial specified value or less
	Percentage of capacitance change	Within ±20% of initial value
	Tangent of the loss angle	200% or less of the initial specified value
Shelf life (105°C)	Test time	1000 hours
	Leakage current	The initial specified value or less
	Percentage of capacitance change	Within ±20% of initial value
	Tangent of the loss angle	200% or less of the initial specified value
Applicable standards	JIS C5101-1, -4 1998 (IEC 60384-1 1992, -4 1995)	

Outline Drawing

Unit : mm

φD	36	51	64	77	90	101
F±1	12.7	22.0	28.2	31.4	31.4	41.5

Mounting Clamp

Unit : mm

Code J (2-legs)

φD	W1	W2	A	B
36	48	58	3.8	7
51	68	80	5	7
64	81	93	5	7
77	93.5	106	5	7
90	108	120.5	5	7

Code K (3-legs)

φD	R1	R2	A	B
51	31.8	36.5	5	7
64	38.1	42.6	5	7
77	44.5	49.2	5	7
90	50.8	55.6	5	7
101	57.5	63.5	6	8

φD	H
36	15
51~101	30

Part numbering system (example : 400V3300µF)

LYX	—	400	V	332	M	DD0	B	
Series code		Rated voltage symbol		Rated capacitance symbol	Capacitance tolerance symbol	Casing symbol	Optional symbol	Clamp code

Coefficient of Frequency for Rated Ripple Current

Frequency (Hz)	50	120	300	1k	10k
Rated voltage (V)					
350 to 450	0.80	1	1.10	1.30	1.40

NOTE : Design, Specifications are subject to change without notice. It is recommended that you shall obtain technical specifications from ELNA to ensure that the component is suitable for your use.

Standard Ratings

350V						400V					
Rated capacitance (μ F)	Case (mm)		Casing symbol	ESR	Rated ripple current (Arms)	Rated capacitance (μ F)	Case (mm)		Casing symbol	ESR	Rated ripple current (Arms)
	ϕ D	L		(m Ω max.)			ϕ D	L		(m Ω max.)	
1000	51	75	C75	259	3.9	1000	51	75	C75	215	3.9
1200	51	75	C75	215	4.2	1200	51	96	C96	179	4.6
1500	51	96	C96	172	5.2	1500	51	115	CB5	143	5.6
1800	51	96	C96	143	5.7	1800	51	130	CD0	119	6.4
2200	51	130	CD0	117	7.1	2200	64	96	D96	98	6.9
2700	64	96	D96	96	7.7	2700	64	115	DB5	80	8.2
3300	64	115	DB5	78	9.1	3300	64	130	DD0	65	9.5
3900	64	130	DD0	66	10.4	3900	64	155	DF5	55	11.1
4700	64	155	DF5	55	12.2		77	115	EB5	55	10.4
	77	115	EB5	55	11.5	4700	64	195	DJ5	46	13.4
5600	64	195	DJ5	46	14.6		77	130	ED0	46	12.0
	77	130	ED0	46	13.1	5600	64	195	DJ5	39	14.6
6800	77	155	EF5	38	15.5		77	155	EF5	39	14.0
8200	90	157	FF7	31	18.1	6800	90	157	FF7	32	16.5
10000	90	157	FF7	26	19.9	8200	90	157	FF7	26	18.1
12000	90	196	FJ6	22	23.8	10000	90	196	FJ6	22	21.7
15000	90	236	FN6	17	28.8	12000	90	236	FN6	18	25.8

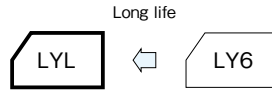
450V					
Rated capacitance (μ F)	Case (mm)		Casing symbol	ESR	Rated ripple current (Arms)
	ϕ D	L		(m Ω max.)	
1000	51	96	C96	215	4.2
1200	51	115	CB5	179	5.0
1500	51	130	CD0	143	5.9
1800	64	96	D96	119	6.3
2200	64	115	DB5	98	7.4
2700	64	130	DD0	80	8.6
	77	115	EB5	80	8.7
3300	64	155	DF5	65	10.2
	77	130	ED0	65	10.1
3900	64	195	DJ5	55	12.3
4700	77	155	EF5	46	12.9
5600	77	195	EJ5	38	15.4
	90	157	FF7	38	14.9
6800	90	196	FJ6	32	18.0
8200	90	196	FJ6	27	19.8
10000	90	236	FN6	22	23.6

(Note) Rated ripple current : 105°C , 120Hz ; ESR. : 20°C , 120Hz

Screw Terminal, Long Life capacitors

GREEN CAP 85°C 20000hours

- Screw Terminal, Long Life capacitors.
- Guarantees 20000 hours at 85°C.



Marking color : Silver print on a black sleeve

Specifications

Item	Performance	
Category temperature range (°C)	-40 to +85	
Tolerance at rated capacitance (%)	±20 (20°C, 120Hz)	
Leakage current (µA)	Less than 0.01CV or 5mA whichever is smaller (after 5 minutes) C : Rated capacitance (µF) ; V : Rated voltage (V) (20°C)	
Tangent of loss angle (tanδ)	0.20 (20°C, 120Hz)	
Endurance (85°C) (Applied ripple current)	Test time	20000 hours
	Leakage current	The initial specified value or less
	Percentage of capacitance change	Within ±20% of initial value
	Tangent of the loss angle	200% or less of the initial specified value
Shelf life (85°C)	Test time	1000 hours
	Leakage current	The initial specified value or less
	Percentage of capacitance change	Within ±20% of initial value
	Tangent of the loss angle	200% or less of the initial specified value
Applicable standards	JIS C5101-1, -4 1998 (IEC 60384-1 1992, -4 1995)	

Outline Drawing

Unit : mm

φD	36	51	64	77	90	101
F±1	12.7	22.0	28.2	31.4	31.4	41.5

Mounting Clamp

Unit : mm

Code J (2-legs)

φD	W1	W2	A	B
36	48	58	3.8	7
51	68	80	5	7
64	81	93	5	7
77	93.5	106	5	7
90	108	120.5	5	7

Code K (3-legs)

φD	R1	R2	A	B
51	31.8	36.5	5	7
64	38.1	42.6	5	7
77	44.5	49.2	5	7
90	50.8	55.6	5	7
101	57.5	63.5	6	8

φD	H
36	15
51~101	30

Part numbering system (example : 450V4700µF)

LYL	—	450	V	472	M	EF5	B	
Series code		Rated voltage symbol		Rated capacitance symbol	Capacitance tolerance symbol	Casing symbol	Optional symbol	Clamp code

Coefficient of Frequency for Rated Ripple Current

Frequency (Hz)	50	120	300	1k	10k
Rated voltage (V)					
350 to 450	0.80	1	1.10	1.30	1.40

NOTE : Design, Specifications are subject to change without notice. It is recommended that you shall obtain technical specifications from ELNA to ensure that the component is suitable for your use.

Standard Ratings

350V						400V					
Rated capacitance (μ F)	Case (mm)		Casing symbol	ESR	Rated ripple current (Arms)	Rated capacitance (μ F)	Case (mm)		Casing symbol	ESR	Rated ripple current (Arms)
	ϕ D	L		(m Ω max.)			ϕ D	L		(m Ω max.)	
1000	51	75	C75	259	3.9	1000	51	75	C75	215	3.9
1200	51	75	C75	215	4.2	1200	51	96	C96	179	4.6
1500	51	96	C96	172	5.2	1500	51	115	CB5	143	5.6
1800	51	96	C96	143	5.7	1800	51	130	CD0	119	6.4
2200	51	130	CD0	117	7.1	2200	64	96	D96	98	6.9
2700	64	96	D96	96	7.7	2700	64	115	DB5	80	8.2
3300	64	115	DB5	78	9.1	3300	64	130	DD0	65	9.5
3900	64	130	DD0	66	10.4	3900	64	155	DF5	55	11.1
4700	64	155	DF5	55	12.2		77	115	EB5	55	10.4
	77	115	EB5	55	11.5	4700	64	195	DJ5	46	13.4
5600	64	195	DJ5	46	14.6		77	130	ED0	46	12.0
	77	130	ED0	46	13.1	5600	64	195	DJ5	39	14.6
6800	77	155	EF5	38	15.5		77	155	EF5	39	14.0
8200	90	157	FF7	31	18.1	6800	90	157	FF7	32	16.5
10000	90	157	FF7	26	19.9	8200	90	157	FF7	26	18.1
12000	90	196	FJ6	22	23.8	10000	90	196	FJ6	22	21.7
15000	90	236	FN6	17	28.8	12000	90	236	FN6	18	25.8

450V					
Rated capacitance (μ F)	Case (mm)		Casing symbol	ESR	Rated ripple current (Arms)
	ϕ D	L		(m Ω max.)	
1000	51	96	C96	215	4.2
1200	51	115	CB5	179	5.0
1500	51	130	CD0	143	5.9
1800	64	96	D96	119	6.3
2200	64	115	DB5	98	7.4
2700	64	130	DD0	80	8.6
	77	115	EB5	80	8.7
3300	64	155	DF5	65	10.2
	77	130	ED0	65	10.1
3900	64	195	DJ5	55	12.3
4700	77	155	EF5	46	12.9
5600	77	195	EJ5	38	15.4
	90	157	FF7	38	14.9
6800	90	196	FJ6	32	18.0
8200	90	196	FJ6	27	19.8
10000	90	236	FN6	22	23.6

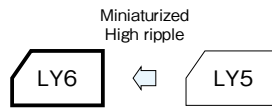
(Note) Rated ripple current : 85°C , 120Hz ; ESR. : 20°C , 120Hz

Screw Terminal, Miniaturized, High Ripple capacitors

GREEN CAP

85°C
5000hours

- Screw Terminal, Miniaturized, High Ripple capacitors.
- Guarantees 5000 hours at 85°C.



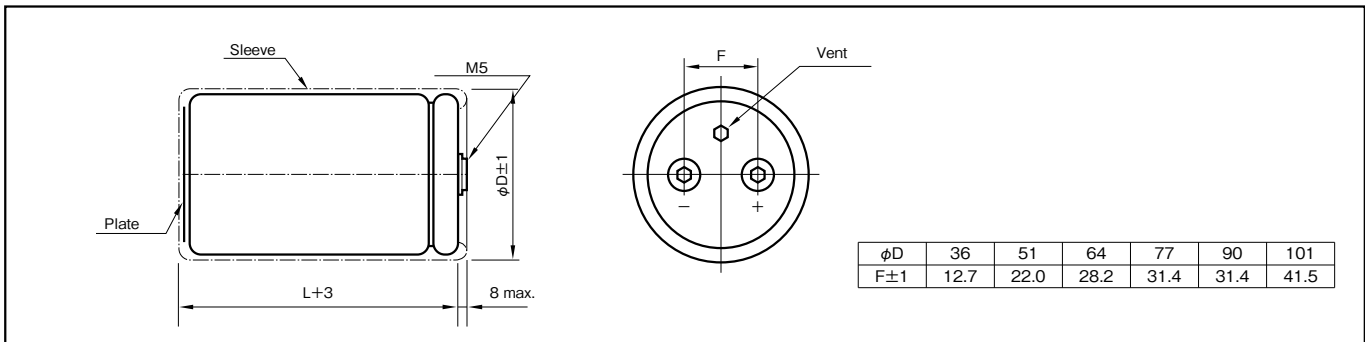
Marking color : Silver print on a black sleeve

Specifications

Item	Performance		
Category temperature range (°C)	-25 to +85		
Tolerance at rated capacitance (%)	±20 (20°C, 120Hz)		
Leakage current (µA)	Less than 0.01CV or 5mA whichever is smaller (after 5 minutes) C : Rated capacitance (µF) ; V : Rated voltage (V) (20°C)		
Tangent of loss angle (tanδ)	Rated voltage (V)	400, 450	500, 550
	tanδ (max.)	0.15	0.20
Endurance (85°C) (Applied ripple current)	Test time	5000 hours	
	Leakage current	The initial specified value or less	
	Percentage of capacitance change	Within ±20% of initial value	
	Tangent of the loss angle	200% or less of the initial specified value	
Shelf life (85°C)	Test time	1000 hours	
	Leakage current	The initial specified value or less	
	Percentage of capacitance change	Within ±20% of initial value	
	Tangent of the loss angle	200% or less of the initial specified value	
Applicable standards	JIS C5101-1, -4 1998 (IEC 60384-1 1992, -4 1995)		

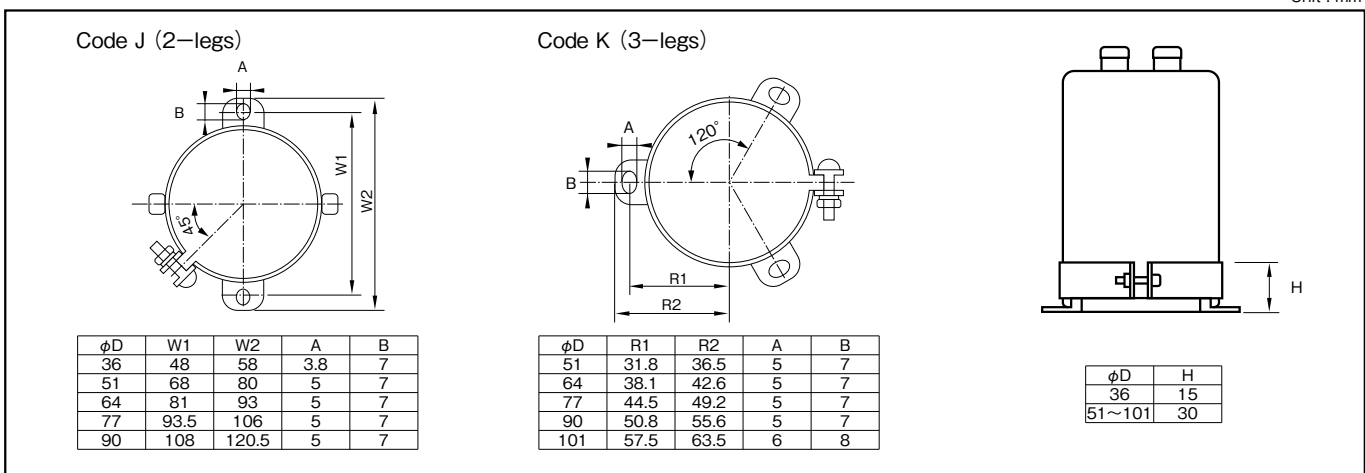
Outline Drawing

Unit : mm



Mounting Clamp

Unit : mm



Part numbering system (example : 400V12000µF)

LY6	—	400	V	123	M	FF7	B	
Series code		Rated voltage symbol		Rated capacitance symbol	Capacitance tolerance symbol	Casing symbol	Optional symbol	Clamp code

Coefficient of Frequency for Rated Ripple Current

Frequency (Hz)	50	120	300	1k	10k
Rated voltage (V)					
400 to 550	0.80	1	1.10	1.30	1.40

NOTE : Design, Specifications are subject to change without notice.
It is recommended that you shall obtain technical specifications from ELNA to ensure that the component is suitable for your use.

Standard Ratings

400V						450V					
Rated capacitance (μ F)	Case (mm)		Casing symbol	ESR	Rated ripple current	Rated capacitance (μ F)	Case (mm)		Casing symbol	ESR	Rated ripple current
	ϕ D	L		(m Ω max.)	(Arms)		ϕ D	L		(m Ω max.)	(Arms)
2200	51	115	CB5	98	8.8	1800	51	115	CB5	119	7.6
2700	51	130	CD0	80	10.2	2200	51	130	CD0	98	8.8
3300	64	96	D96	65	11.0	2700	64	96	D96	80	9.5
3900	64	115	DB5	55	12.8	3300	64	115	DB5	65	11.2
4700	64	130	DD0	46	14.8	3900	64	130	DD0	55	12.8
5600	77	115	EB5	38	16.2	4700	77	115	EB5	46	14.1
6800	77	130	ED0	32	18.7	5600	77	130	ED0	38	16.2
8200	77	155	EF5	26	22.0	6800	77	155	EF5	32	19.1
10000	77	195	EJ5	22	26.7	8200	77	195	EJ5	26	23.0
	90	131	FD1	22	24.2		90	131	FD1	26	21.0
12000	90	157	FF7	18	28.5	10000	90	171	FH1	22	25.7
15000	90	196	FJ6	14	34.8	12000	90	196	FJ6	18	29.7
18000	90	236	FN6	12	41.2		101	175	GH5	18	29.3
22000	101	237	GN7	10	47.0	15000	90	236	FN6	14	35.9
—	—	—	—	—	—		101	195	GJ5	14	24.2
—	—	—	—	—	—		18000	101	237	GN7	12

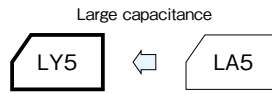
500V						550V					
Rated capacitance (μ F)	Case (mm)		Casing symbol	ESR	Rated ripple current	Rated capacitance (μ F)	Case (mm)		Casing symbol	ESR	Rated ripple current
	ϕ D	L		(m Ω max.)	(Arms)		ϕ D	L		(m Ω max.)	(Arms)
1200	51	115	CB5	215	6.2	1000	51	130	CD0	258	5.9
	64	96	D96	215	6.3	1200	64	115	DB5	215	6.8
1500	51	130	CD0	172	7.3	1500	64	130	DD0	172	8.0
	64	96	D96	172	7.1	1800	77	115	EB5	143	8.7
1800	64	115	DB5	143	8.3	2200	77	130	ED0	117	10.1
2200	64	130	DD0	117	9.6	2700	77	155	EF5	96	12.0
2700	77	115	EB5	96	10.7	3300	77	155	EF5	78	13.3
3300	77	130	ED0	78	12.4	3900	90	157	FF7	66	15.5
3900	77	155	EF5	66	14.4	4700	90	171	FH1	55	17.6
4700	77	171	EH1	55	16.5	5600	90	196	FJ6	46	20.3
	90	131	FD1	55	15.8	6800	90	236	FN6	38	24.1
5600	77	195	EJ5	46	19.0	8200	101	237	GN7	31	27.3
	90	157	FF7	46	18.6						
6800	90	171	FH1	38	21.2						
8200	90	196	FJ6	31	24.5						
	101	175	GH5	31	24.2						
10000	90	236	FN6	26	29.3						
	101	195	GJ5	26	27.9						
12000	101	237	GN7	22	33.1						

(Note) Rated ripple current : 85°C , 120Hz ; ESR : 20°C , 120Hz

Screw Terminal, Standard capacitors

GREEN CAP 85°C 2000hours

- Screw Terminal, Standard capacitors.
- Guarantees 2000 hours at 85°C.



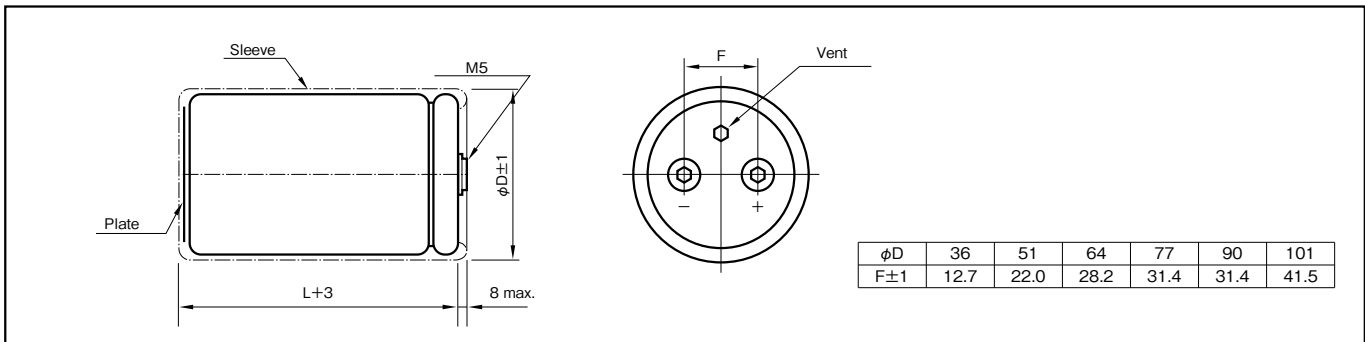
Marking color : Silver print on a black sleeve

Specifications

Item	Performance	
Category temperature range (°C)	-40 to +85	-25 to +85
Rated voltage (V)	10 to 250	350 to 500
Tolerance at rated capacitance (%)	±20 (20°C, 120Hz)	
Leakage current (µA)	Less than 0.01CV or 5mA whichever is smaller (after 5 minutes) C : Rated capacitance (µF) ; V : Rated voltage (V) (20°C)	
Tangent of loss angle (tanδ)	Refer to the following pages (20°C, 120Hz)	
Endurance (85°C) (Applied ripple current)	Test time	2000 hours
	Leakage current	The initial specified value or less
	Percentage of capacitance change	Within ±20% of initial value
	Tangent of the loss angle	200% or less of the initial specified value
Shelf life (85°C)	Test time	1000 hours
	Leakage current	The initial specified value or less
	Percentage of capacitance change	Within ±20% of initial value
	Tangent of the loss angle	200% or less of the initial specified value
Applicable standards	JIS C5101-1, -4 1998 (IEC 60384-1 1992, -4 1995)	

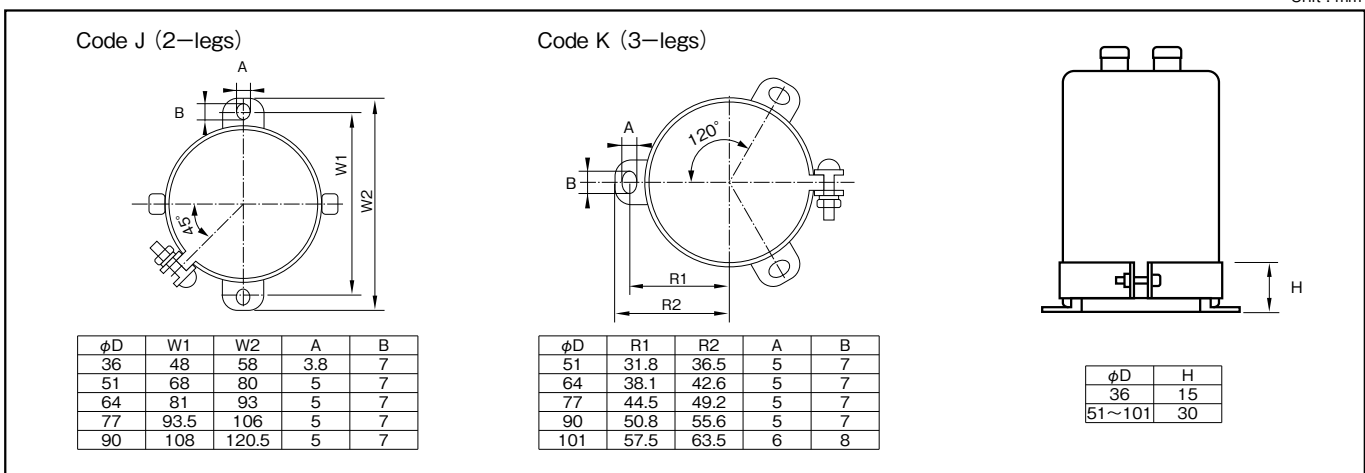
Outline Drawing

Unit : mm



Mounting Clamp

Unit : mm



Part numbering system (example : 50V47000µF)

LY5	—	50	V	473	M	CB5	B	□
Series code		Rated voltage symbol		Rated capacitance symbol	Capacitance tolerance symbol	Casing symbol	Optional symbol	Clamp code

Coefficient of Frequency for Rated Ripple Current

Rated voltage (V)	Frequency (Hz)				
	50	120	300	1k	10k
10 to 50	0.95	1	1.04	1.10	1.15
63 to 160	0.95	1	1.06	1.16	1.30
200 to 500	0.80	1	1.10	1.25	1.50

NOTE : Design, Specifications are subject to change without notice. It is recommended that you shall obtain technical specifications from ELNA to ensure that the component is suitable for your use.

Standard Ratings

10V						16V						25V					
Rated capacitance (μF)	tan δ	Case (mm)		Casing symbol	Rated ripple current (Arms)	Rated capacitance (μF)	tan δ	Case (mm)		Casing symbol	Rated ripple current (Arms)	Rated capacitance (μF)	tan δ	Case (mm)		Casing symbol	Rated ripple current (Arms)
		φD	L					φD	L					φD	L		
33,000	0.80	36	53	A53	4.3	22,000	0.60	36	53	A53	4.1	15,000	0.50	36	53	A53	3.7
39,000	0.80	36	53	A53	4.7	27,000	0.60	36	53	A53	4.5	18,000	0.50	36	53	A53	4.1
47,000	0.80	36	65	A65	5.2	33,000	0.60	36	53	A53	5.0	22,000	0.50	36	53	A53	4.5
56,000	0.80	36	83	A83	6.1	39,000	0.60	36	65	A65	5.9	27,000	0.50	36	65	A65	5.0
68,000	0.80	36	83	A83	6.7	47,000	0.60	36	83	A83	6.4	33,000	0.50	36	83	A83	5.9
82,000	0.80	36	100	AA0	7.7	56,000	0.60	36	83	A83	7.3	39,000	0.50	36	83	A83	6.7
100,000	0.80	36	101	AA1	8.8	68,000	0.60	36	100	AA0	8.4	47,000	0.50	36	100	AA0	7.7
120,000	0.80	36	121	AC1	10.0	82,000	0.80	36	100	AA0	8.3	56,000	0.60	36	100	AA0	7.9
150,000	1.00	36	121	AC1	10.8	100,000	0.80	36	121	AC1	9.5	68,000	0.60	36	121	AC1	9.2
180,000	1.00	51	96	C96	12.0	120,000	0.80	36	121	AC1	10.9	82,000	0.60	36	121	AC1	10.4
220,000	1.50	51	121	CC1	11.2	150,000	1.00	51	96	C96	11.3	100,000	0.60	51	96	C96	10.3
270,000	1.50	51	122	CC2	12.8	180,000	1.00	51	115	CB5	12.8	120,000	0.80	51	115	CB5	11.7
330,000	1.50	64	96	D96	15.3	220,000	1.00	51	130	CD0	15.3	150,000	0.80	51	130	CD0	14.1
390,000	1.50	64	115	DB5	17.3	270,000	1.00	64	96	D96	17.6	180,000	0.80	64	96	D96	15.7
470,000	2.00	64	130	DD0	16.7	330,000	1.50	64	115	DB5	16.8	220,000	1.00	64	115	DB5	16.1
560,000	2.00	77	115	EB5	19.0	390,000	1.50	64	130	DD0	18.3	270,000	1.00	64	130	DD0	18.6
680,000	2.00	77	130	ED0	21.7	470,000	1.50	77	115	EB5	21.3	330,000	1.00	64	155	DF5	21.9
820,000	2.00	77	155	EF5	24.7	560,000	1.50	77	130	ED0	23.6	390,000	1.20	77	115	EB5	22.0
—	—	—	—	—	—	680,000	1.50	77	155	EF5	27.6	470,000	1.20	77	155	EF5	25.6
—	—	—	—	—	—	820,000	2.00	90	157	FF7	27.1	560,000	1.20	90	131	FD1	27.9
—	—	—	—	—	—	—	—	—	—	—	—	680,000	1.20	90	157	FF7	32.5

35V						50V						63V					
Rated capacitance (μF)	tan δ	Case (mm)		Casing symbol	Rated ripple current (Arms)	Rated capacitance (μF)	tan δ	Case (mm)		Casing symbol	Rated ripple current (Arms)	Rated capacitance (μF)	tan δ	Case (mm)		Casing symbol	Rated ripple current (Arms)
		φD	L					φD	L					φD	L		
10,000	0.40	36	53	A53	3.4	5,600	0.30	36	53	A53	3.0	3,900	0.25	36	53	A53	2.7
12,000	0.40	36	53	A53	3.7	6,800	0.30	36	53	A53	3.3	4,700	0.25	36	53	A53	3.0
15,000	0.40	36	65	A65	4.2	8,200	0.30	36	53	A53	3.6	5,600	0.25	36	53	A53	3.3
18,000	0.40	36	83	A83	4.7	10,000	0.30	36	65	A65	4.0	6,800	0.25	36	65	A65	3.6
22,000	0.40	36	83	A83	5.7	12,000	0.30	36	83	A83	4.7	8,200	0.25	36	83	A83	4.3
27,000	0.40	36	100	AA0	6.3	15,000	0.30	36	83	A83	5.5	10,000	0.25	36	83	A83	4.9
33,000	0.40	36	100	AA0	7.2	18,000	0.30	36	100	AA0	6.2	12,000	0.25	36	100	AA0	5.6
39,000	0.50	36	121	AC1	8.3	22,000	0.40	36	121	AC1	6.3	15,000	0.30	36	100	AA0	5.9
47,000	0.50	51	96	C96	8.7	27,000	0.40	36	121	AC1	7.1	18,000	0.30	36	121	AC1	6.7
56,000	0.60	51	96	C96	8.6	33,000	0.40	51	96	C96	8.2	22,000	0.30	36	121	AC1	7.8
68,000	0.60	51	115	CB5	9.8	39,000	0.50	51	96	C96	8.1	27,000	0.40	51	96	C96	7.4
82,000	0.60	64	96	D96	11.6	47,000	0.50	51	115	CB5	9.3	33,000	0.40	51	96	C96	8.4
100,000	0.60	64	115	DB5	13.3	56,000	0.50	64	96	D96	10.5	39,000	0.40	51	115	CB5	9.5
120,000	0.80	64	121	DC1	14.8	68,000	0.50	64	96	D96	12.0	47,000	0.40	51	130	CD0	11.3
150,000	0.80	64	130	DD0	14.9	82,000	0.50	64	115	DB5	13.7	56,000	0.40	64	115	DB5	12.8
180,000	0.80	77	115	EB5	17.0	100,000	0.60	77	115	EB5	14.7	68,000	0.50	64	121	DC1	12.7
220,000	0.80	77	130	ED0	20.0	120,000	0.60	77	115	EB5	16.7	82,000	0.50	64	130	DD0	14.5
270,000	1.00	77	155	EF5	20.3	150,000	0.60	77	130	ED0	19.3	100,000	0.50	77	115	EB5	16.7
330,000	1.00	90	131	FD1	23.5	180,000	0.60	77	155	EF5	21.9	120,000	0.50	77	130	ED0	18.9
390,000	1.00	90	157	FF7	26.4	220,000	0.60	90	131	FD1	21.4	150,000	0.50	77	155	EF5	22.4
470,000	1.00	90	157	FF7	29.6	270,000	0.60	90	157	FF7	24.6	180,000	0.60	90	131	FD1	22.4
—	—	—	—	—	—	—	—	—	—	—	—	220,000	0.60	90	157	FF7	26.2

80V						100V					
Rated capacitance (μF)	tan δ	Case (mm)		Casing symbol	Rated ripple current (Arms)	Rated capacitance (μF)	tan δ	Case (mm)		Casing symbol	Rated ripple current (Arms)
		φD	L					φD	L		
3,300	0.25	36	53	A53	2.5	1,800	0.25	36	53	A53	1.9
3,900	0.25	36	53	A53	2.8	2,200	0.25	36	53	A53	2.1
4,700	0.25	36	65	A65	3.0	2,700	0.25	36	53	A53	2.3
5,600	0.25	36	83	A83	3.6	3,300	0.25	36	65	A65	2.6
6,800	0.25	36	83	A83	3.9	3,900	0.25	36	83	A83	3.0
8,200	0.25	36	83	A83	4.5	4,700	0.25	36	83	A83	3.5
10,000	0.25	36	100	AA0	5.2	5,600	0.25	36	100	AA0	3.9
12,000	0.25	36	100	AA0	5.9	6,800	0.25	36	100	AA0	4.5
15,000	0.25	36	121	AC1	6.8	8,200	0.25	36	121	AC1	5.1
18,000	0.25	36	121	AC1	7.8	10,000	0.25	36	121	AC1	5.9
22,000	0.30	51	96	C96	8.0	12,000	0.25	51	75	C75	6.4
27,000	0.30	51	96	C96	9.2	15,000	0.25	51	96	C96	7.0
33,000	0.30	51	115	CB5	10.5	18,000	0.25	51	115	CB5	8.3
39,000	0.30	51	130	CD0	12.0	22,000	0.25	51	130	CD0	10.0
47,000	0.30	64	115	DB5	13.6	27,000	0.25	64	115	DB5	11.5
56,000	0.40	64	130	DD0	13.4	33,000	0.25	64	130	DD0	11.9
68,000	0.40	77	115	EB5	15.4	39,000	0.25	77	115	EB5	13.4
82,000	0.40	77	130	ED0	17.5	47,000	0.35	77	130	ED0	14.2
100,000	0.40	77	155	EF5	20.5	56,000	0.35	77	155	EF5	16.0
120,000	0.40	90	131	FD1	22.4	68,000	0.35	90	131	FD1	18.8
150,000	0.40	90	157	FF7	26.5	82,000	0.35	90	157	FF7	20.5
—	—	—	—	—	—	100,000	0.35	90	171	FH1	24.0

(Note) Rated ripple current : 85°C , 120Hz ; ESR. : 20°C , 120Hz

• The standard ratings follow the next page.

NOTE : Design, Specifications are subject to change without notice.
It is recommended that you shall obtain technical specifications from ELNA to ensure that the component is suitable for your use.

Standard Ratings

160V						200V						250V					
Rated capacitance (μF)	tan δ	Case (mm)		Casing symbol	Rated ripple current (Arms)	Rated capacitance (μF)	tan δ	Case (mm)		Casing symbol	Rated ripple current (Arms)	Rated capacitance (μF)	tan δ	Case (mm)		Casing symbol	Rated ripple current (Arms)
		φD	L					φD	L					φD	L		
3,300	0.25	36	121	AC1	5.2	2,200	0.25	36	100	AA0	3.9	1,500	0.25	36	100	AA0	3.2
4,700	0.25	51	75	C75	5.9	3,300	0.25	51	75	C75	4.9	2,200	0.25	51	75	C75	4.0
5,600	0.25	51	96	C96	7.0	4,700	0.25	51	96	C96	6.4	3,300	0.25	51	96	C96	5.4
6,800	0.25	51	96	C96	7.8	5,600	0.25	51	115	CB5	7.6	4,700	0.25	64	96	D96	7.1
10,000	0.25	64	96	D96	10.4	6,800	0.25	51	130	CD0	8.8	6,800	0.25	64	115	DB5	9.1
12,000	0.25	51	120	CC0	11.3	8,200	0.25	64	96	D96	9.4	8,200	0.25	64	115	DB5	10.0
15,000	0.25	64	130	DD0	14.3	10,000	0.25	64	96	D96	10.4	10,000	0.25	64	130	DD0	11.7
18,000	0.25	64	130	DD0	15.6	15,000	0.25	77	96	E96	14.4	15,000	0.25	77	130	ED0	15.1
22,000	0.25	77	130	ED0	18.3	18,000	0.25	77	130	ED0	16.5	18,000	0.25	77	155	EF5	17.7
33,000	0.25	90	131	FD1	23.8	22,000	0.25	77	150	EF0	19.6	22,000	0.25	90	157	FF7	20.9
39,000	0.25	90	157	FF7	27.9	33,000	0.25	90	157	FF7	25.3	—	—	—	—	—	—

350V						400V						450V					
Rated capacitance (μF)	tan δ	Case (mm)		Casing symbol	Rated ripple current (Arms)	Rated capacitance (μF)	tan δ	Case (mm)		Casing symbol	Rated ripple current (Arms)	Rated capacitance (μF)	tan δ	Case (mm)		Casing symbol	Rated ripple current (Arms)
		φD	L					φD	L					φD	L		
470	0.20	36	83	A83	2.2	470	0.20	36	83	A83	2.2	470	0.20	36	83	A83	2.2
680	0.20	36	83	A83	2.6	680	0.20	36	100	AA0	2.8	680	0.20	36	100	AA0	2.8
1,000	0.20	36	100	AA0	3.4	1,000	0.20	51	75	C75	3.5	820	0.20	51	75	C75	3.2
1,500	0.20	51	75	C75	4.3	1,200	0.20	51	75	C75	3.8	1,000	0.20	51	75	C75	3.5
1,800	0.20	51	96	C96	5.1	1,500	0.20	51	96	C96	4.7	1,200	0.20	51	96	C96	4.2
2,200	0.20	51	96	C96	5.7	1,800	0.20	51	96	C96	5.2	1,500	0.20	51	115	CB5	5.0
2,700	0.20	51	130	CD0	7.1	2,200	0.20	51	120	CC0	6.4	1,800	0.20	51	130	CD0	5.9
3,300	0.20	51	130	CD0	7.9	2,700	0.20	64	96	D96	7.0	2,200	0.20	64	96	D96	6.3
3,900	0.20	64	115	DB5	9.0	3,300	0.20	64	115	DB5	8.2	2,700	0.20	64	115	DB5	7.5
4,700	0.20	64	130	DD0	10.3	3,900	0.20	64	130	DD0	9.4	3,300	0.20	64	130	DD0	8.7
5,600	0.20	77	115	EB5	11.4	4,700	0.20	77	115	EB5	10.4	3,900	0.20	77	115	EB5	9.5
6,800	0.20	77	130	ED0	13.1	5,600	0.20	77	130	ED0	11.9	4,700	0.20	77	130	ED0	10.9
8,200	0.20	77	155	EF5	15.4	6,800	0.20	77	155	EF5	14.1	5,600	0.20	77	155	EF5	12.8
10,000	0.20	90	157	FF7	18.1	8,200	0.20	90	157	FF7	16.4	6,800	0.20	90	157	FF7	15.0
12,000	0.20	90	157	FF7	20.0	10,000	0.20	90	157	FF7	18.3	8,200	0.20	90	157	FF7	16.5
15,000	0.20	90	196	FJ6	24.5	12,000	0.20	90	196	FJ6	21.8	10,000	0.20	90	196	FJ6	20.0
18,000	0.20	90	236	FN6	28.8	15,000	0.20	90	236	FN6	26.3	12,000	0.20	90	236	FN6	23.6

500V					
Rated capacitance (μF)	tan δ	Case (mm)		Casing symbol	Rated ripple current (Arms)
		φD	L		
1,000	0.25	51	115	CB5	4.6
1,500	0.25	64	96	D96	5.7
2,200	0.25	64	130	DD0	6.9
2,700	0.25	77	115	EB5	8.1
3,300	0.25	77	130	ED0	9.6
3,900	0.25	77	130	ED0	10.8
4,700	0.25	77	155	EF5	12.1
5,600	0.25	90	157	FF7	13.8
6,800	0.25	90	171	FH1	15.8
8,200	0.25	77	220	EM0	17.2
10,000	0.25	90	236	FN6	22.1

(Note) Rated ripple current : 85°C , 120Hz ; ESR : 20°C , 120Hz

LARGE ALUMINUM

Aluminum Electrolytic Capacitors for Audio

Chip Type Audio Use Capacitors

GREEN CAP

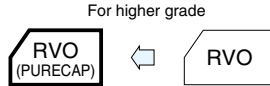
SMD

For Audio

- Audio grade surface mount product with completely new components using synthetic mica paper for the separator.
- Both quality sense and sound field that could not be realized by the surface mount products are reproducible.



Marking color : Black print (except height : 10mm)
White print on a brown sleeve ($\phi 8 \times 10L, \phi 10 \times 10L$)

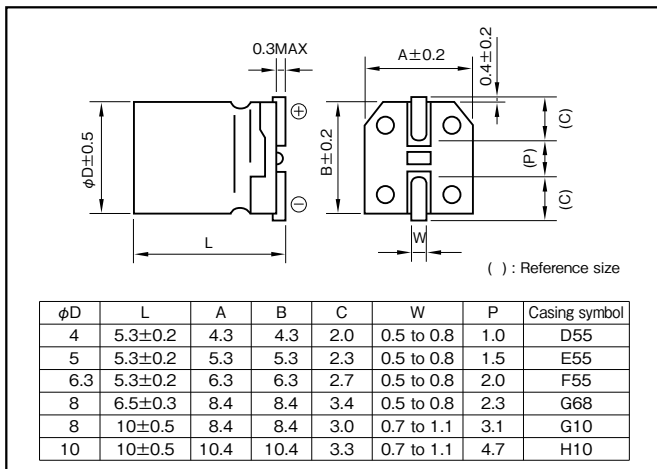


Specifications

Item	Performance							
Category temperature range (°C)	-40 to +85							
Tolerance at rated capacitance (%)	±20 (20°C, 120Hz)							
Leakage current (µA)	Less than 0.01CV or 3 whichever is larger (after 2 minutes) C : Rated capacitance (µF) ; V : Rated voltage (V) (20°C)							
Tangent of loss angle (tanδ)	Rated voltage (V)	6.3	10	16	25	35	50	
	tanδ (max.)	0.28	0.24	0.20	0.14	0.12	0.10	
Characteristics at high and low temperature	Impedance ratio (max.)	Z-25°C/Z+20°C	3	3	2	2	2	
		Z-40°C/Z+20°C	8	5	4	3	3	
Endurance (85°C) (Applied ripple current)	Test time	2000 hours						
	Leakage current	The initial specified value or less						
	Percentage of capacitance change	Within ±20% of initial value						
	Tangent of the loss angle	200% or less of the initial specified value						
Shelf life (85°C)	Test time : 1000 hours; other items are the same as those for the endurance. Voltage application treatment : According to JIS C5101 -1							
Applicable standards	JIS C5101-1 1998, -18 1999 (IEC 60384-1 1992, -18 1993)							

Outline Drawing

Unit : mm



Coefficient of Frequency for Rated Ripple Current

Frequency (Hz)	50	120	1k	10k-100k
Rated voltage (V)				
6.3 to 16	0.80	1	1.15	1.25
25 to 35	0.80	1	1.25	1.40
50	0.80	1	1.35	1.50

Part numbering system (example : 16V470µF)

RVO	—	16	V	471	M	H10	P2	U	□
Series code		Rated voltage symbol		Rated capacitance symbol	Capacitance tolerance symbol	Casing symbol			Taping symbol

• Soldering conditions are described on page 13. • Land pattern size are described on page 11. • The taping specifications are described on page 14.

Standard Ratings

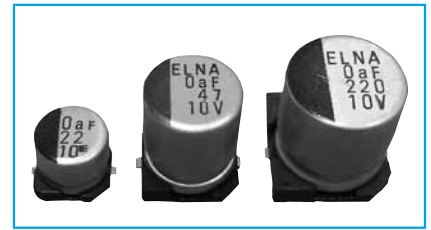
Rated voltage (V)	6.3		10		16		25		35		50	
	Case	Rated ripple current	Case	Rated ripple current	Case	Rated ripple current	Case	Rated ripple current	Case	Rated ripple current	Case	Rated ripple current
Rated capacitance (µF)	φD×L (mm)	(mArms)	φD×L (mm)	(mArms)	φD×L (mm)	(mArms)	φD×L (mm)	(mArms)	φD×L (mm)	(mArms)	φD×L (mm)	(mArms)
0.33	—	—	—	—	—	—	—	—	—	—	4×5.3	6
0.47	—	—	—	—	—	—	—	—	—	—	4×5.3	7
1	—	—	—	—	—	—	—	—	—	—	4×5.3	10
2.2	—	—	—	—	—	—	—	—	—	—	4×5.3	15
3.3	—	—	—	—	—	—	—	—	4×5.3	17	4×5.3	19
4.7	—	—	—	—	4×5.3	18	4×5.3	19	4×5.3	20	5×5.3	26
10	—	—	4×5.3	23	4×5.3	26	5×5.3	32	5×5.3	34	6.3×5.3	44
22	4×5.3	31	5×5.3	40	5×5.3	44	6.3×5.3	55	6.3×5.3	59	8×6.5	124
33	5×5.3	44	5×5.3	49	6.3×5.3	63	6.3×5.3	67	8×6.5	124	8×6.5	124
47	5×5.3	53	6.3×5.3	68	6.3×5.3	76	8×6.5	124	8×6.5	124	8×10	200
100	6.3×5.3	90	6.3×5.3	99	8×6.5	124	8×6.5	137	8×10	200	10×10	366
220	8×6.5	149	8×6.5	149	8×10	200	8×10	235	10×10	366	—	—
330	8×6.5	160	8×10	226	8×10	245	10×10	366	—	—	—	—
470	8×10	251	10×10	366	10×10	366	—	—	—	—	—	—
1000	10×10	423	—	—	—	—	—	—	—	—	—	—

(Note) Rated ripple current : 85°C, 120Hz.

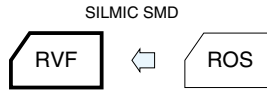
Chip Type, For Audio, High Grade (SILMIC) Capacitors

GREEN CAP SMD For Audio

- Silk fiber paper products used surface mount device.
- Completely new audio products for the high-grade paper using silk fiber paper.
- Silk "flexibility" to reduce the vibration energy of the music, in the sense of high-frequency peak, a significant decrease in roughness of the midrange and bass increase.



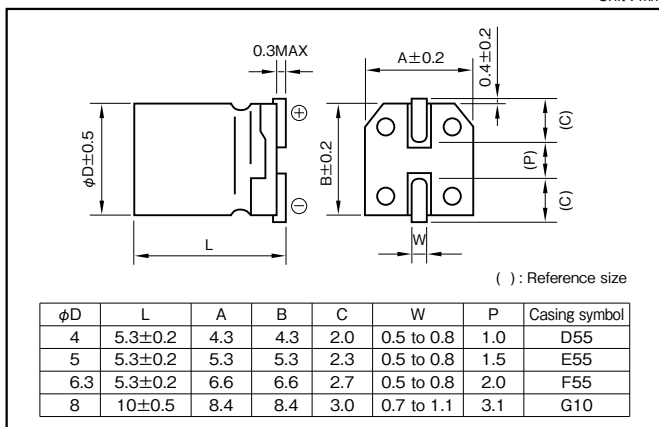
Marking color : Black print



Specifications

Item	Performance											
Category temperature range (°C)	-40 to +85											
Tolerance at rated capacitance (%)	±20 (20°C, 120Hz)											
Leakage current (µA)	Less than 0.01CV or 3 whichever is larger (after 2 minutes) C : Rated capacitance (µF), V : Rated voltage (V) (20°C)											
Tangent of loss angle (tanδ)	<table border="1"> <tr> <td>Rated voltage (V)</td> <td>10</td> <td>16</td> <td>50</td> </tr> <tr> <td>tanδ (max.)</td> <td>0.32</td> <td>0.26</td> <td>0.12</td> </tr> </table> (20°C, 120Hz)	Rated voltage (V)	10	16	50	tanδ (max.)	0.32	0.26	0.12			
Rated voltage (V)	10	16	50									
tanδ (max.)	0.32	0.26	0.12									
Characteristics at high and low temperature	<table border="1"> <tr> <td>Rated voltage (V)</td> <td>10</td> <td>16</td> <td>50</td> </tr> <tr> <td rowspan="2">Impedance ratio (max.)</td> <td>Z-25°C/Z+20°C</td> <td>3</td> <td>2</td> </tr> <tr> <td>Z-40°C/Z+20°C</td> <td>8</td> <td>4</td> </tr> </table> (120Hz)	Rated voltage (V)	10	16	50	Impedance ratio (max.)	Z-25°C/Z+20°C	3	2	Z-40°C/Z+20°C	8	4
Rated voltage (V)	10	16	50									
Impedance ratio (max.)	Z-25°C/Z+20°C	3	2									
	Z-40°C/Z+20°C	8	4									
Endurance (85°C)	<table border="1"> <tr> <td>Test time</td> <td>2000 hours</td> </tr> <tr> <td>Leakage current</td> <td>The initial specified value or less</td> </tr> <tr> <td>Percentage of capacitance change</td> <td>Within ±20% of initial value</td> </tr> <tr> <td>Tangent of the loss angle</td> <td>200% or less of the initial specified value</td> </tr> </table>	Test time	2000 hours	Leakage current	The initial specified value or less	Percentage of capacitance change	Within ±20% of initial value	Tangent of the loss angle	200% or less of the initial specified value			
Test time	2000 hours											
Leakage current	The initial specified value or less											
Percentage of capacitance change	Within ±20% of initial value											
Tangent of the loss angle	200% or less of the initial specified value											
Shelf life (85°C)	Test time : 500 hours ; other items are the same as those for the endurance. Voltage application treatment : According to JIS C5101-1											
Applicable standards	JIS C5101-1 1998, -18 1999 (IEC 60384-1 1992, -18 1993)											

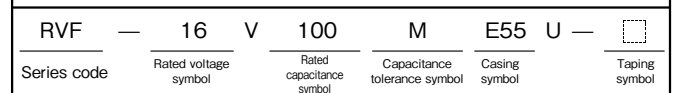
Outline Drawing



Coefficient of Frequency for Rated Ripple Current

Rated voltage (V) \ Frequency (Hz)	50	120	1k	10k-100k
10 to 16	0.80	1	1.15	1.25
50	0.80	1	1.35	1.50

Part numbering system (example : 16V10µF)



- Soldering conditions are described on page 13.
- Land pattern size are described on page 11.
- The taping specifications are described on page 14.

Standard Ratings

Rated capacitance (µF)	10		16		50	
	Case φD×L (mm)	Rated ripple current (mAmps)	Case φD×L (mm)	Rated ripple current (mAmps)	Case φD×L (mm)	Rated ripple current (mAmps)
0.33	—	—	—	—	4×5.3	4
0.47	—	—	—	—	4×5.3	5
1	—	—	—	—	4×5.3	7
2.2	—	—	—	—	5×5.3	11
3.3	—	—	—	—	6.3×5.3	16
4.7	—	—	4×5.3	10	8×10	28
10	5×5.3	15	5×5.3	16	8×10	41
22	6.3×5.3	25	6.3×5.3	28	—	—
33	6.3×5.3	31	8×10	50	—	—
47	8×10	54	8×10	60	—	—
100	8×10	79	8×10	87	—	—

(Note) Rated ripple current : 85°C, 120Hz.

NOTE : Design, Specifications are subject to change without notice.
It is recommended that you shall obtain technical specifications from ELNA to ensure that the component is suitable for your use.

Chip Type, For Audio, High Grade Capacitors

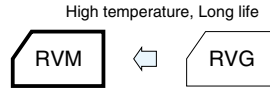
GREEN CAP

SMD

105°C
2000hours

For Audio

- New developed Al-Foil and Electrolyte for Audio grade allow lower distortion.
- New range of bright and smooth sound is achieved in SMD area.
- Guarantees 2000 hours 105°C.



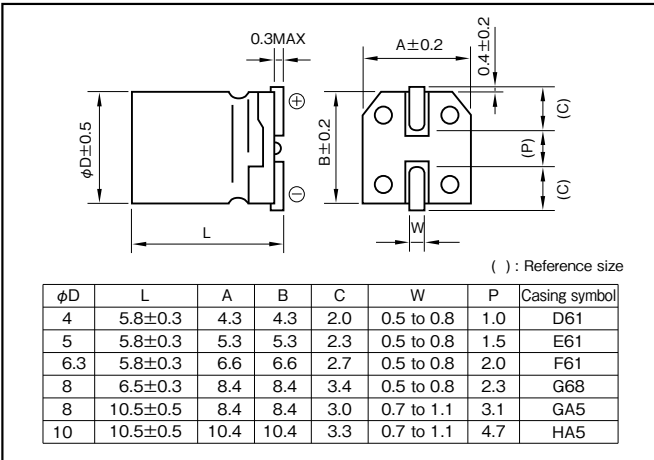
Marking color : Black print

Specifications

Item	Performance																				
Category temperature range (°C)	-55 to +105																				
Tolerance at rated capacitance (%)	±20 (20°C, 120Hz)																				
Leakage current (µA)	Less than 0.01CV or 3 whichever is larger (after 2 minutes) C : Rated capacitance (µF), V: Rated voltage (V) (20°C)																				
Tangent of loss angle (tanδ)	<table border="1"> <thead> <tr> <th>Rated voltage (V)</th> <th>6.3</th> <th>10</th> <th>16</th> <th>25</th> <th>35</th> <th>50</th> </tr> </thead> <tbody> <tr> <td>tanδ (max.)</td> <td>0.28</td> <td>0.24</td> <td>0.20</td> <td>0.16</td> <td>0.13</td> <td>0.12</td> </tr> </tbody> </table> <p>(20°C, 120Hz)</p>	Rated voltage (V)	6.3	10	16	25	35	50	tanδ (max.)	0.28	0.24	0.20	0.16	0.13	0.12						
Rated voltage (V)	6.3	10	16	25	35	50															
tanδ (max.)	0.28	0.24	0.20	0.16	0.13	0.12															
Characteristics at high and low temperature	<table border="1"> <thead> <tr> <th>Rated voltage (V)</th> <th>6.3</th> <th>10</th> <th>16</th> <th>25</th> <th>35</th> <th>50</th> </tr> </thead> <tbody> <tr> <td rowspan="2">Impedance ratio (max.)</td> <td>Z-25°C/Z+20°C</td> <td>4</td> <td>3</td> <td>2</td> <td>2</td> <td>2</td> </tr> <tr> <td>Z-55°C/Z+20°C</td> <td>8</td> <td>5</td> <td>4</td> <td>3</td> <td>3</td> </tr> </tbody> </table> <p>(120Hz)</p>	Rated voltage (V)	6.3	10	16	25	35	50	Impedance ratio (max.)	Z-25°C/Z+20°C	4	3	2	2	2	Z-55°C/Z+20°C	8	5	4	3	3
Rated voltage (V)	6.3	10	16	25	35	50															
Impedance ratio (max.)	Z-25°C/Z+20°C	4	3	2	2	2															
	Z-55°C/Z+20°C	8	5	4	3	3															
Endurance (105°C)	<table border="1"> <thead> <tr> <th>Test time</th> <td>2000 hours</td> </tr> </thead> <tbody> <tr> <td>Leakage current</td> <td>The initial specified value or less</td> </tr> <tr> <td>Percentage of capacitance change</td> <td>Within ±30% of initial value</td> </tr> <tr> <td>Tangent of the loss angle</td> <td>300% or less of the initial specified value</td> </tr> </tbody> </table>	Test time	2000 hours	Leakage current	The initial specified value or less	Percentage of capacitance change	Within ±30% of initial value	Tangent of the loss angle	300% or less of the initial specified value												
Test time	2000 hours																				
Leakage current	The initial specified value or less																				
Percentage of capacitance change	Within ±30% of initial value																				
Tangent of the loss angle	300% or less of the initial specified value																				
Shelf life (105°C)	Test time : 1000 hours; other items are the same as those for the endurance. Voltage application treatment : According to JIS C5101-1																				
Applicable standards	JIS C5101-1 1998, -18 1999 (IEC 60384-1 1992, -18 1993)																				

Outline Drawing

Unit : mm



Coefficient of Frequency for Rated Ripple Current

Rated voltage (V)	Frequency (Hz)			
	50	120	1k	10k·100k
6.3 to 16	0.80	1	1.15	1.25
25 to 35	0.80	1	1.25	1.40
50	1 to 3.3µF	0.50	1	1.35
	4.7µF or more	0.70	1	1.35

Part numbering system (example : 6.3V220µF)

RVM	—	6	V	221	M	G68	P U	—	R2
Series code		Rated voltage symbol		Rated capacitance symbol	Capacitance tolerance symbol	Casing symbol			Taping symbol

- Soldering conditions are described on page 13.
- Land pattern size are described on page 11.
- The taping specifications are described on page 14.

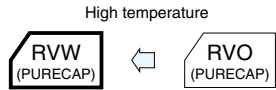
Standard Ratings

Rated capacitance (µF)	6.3		10		16		25		35		50	
	Case φD×L (mm)	Rated ripple current (mArms)	Case φD×L (mm)	Rated ripple current (mArms)	Case φD×L (mm)	Rated ripple current (mArms)	Case φD×L (mm)	Rated ripple current (mArms)	Case φD×L (mm)	Rated ripple current (mArms)	Case φD×L (mm)	Rated ripple current (mArms)
1	—	—	—	—	—	—	—	—	—	—	4×5.8	7
2.2	—	—	—	—	—	—	—	—	—	—	4×5.8	10
3.3	—	—	—	—	—	—	—	—	—	—	4×5.8	12
4.7	—	—	—	—	4×5.8	11	4×5.8	13	4×5.8	14	5×5.8	17
10	—	—	4×5.8	15	4×5.8	17	5×5.8	21	5×5.8	24	6.3×5.8	29
22	4×5.8	21	5×5.8	26	5×5.8	28	6.3×5.8	37	6.3×5.8	41	8×6.5	52
33	5×5.8	29	5×5.8	32	6.3×5.8	41	6.3×5.8	45	8×6.5	62	8×10.5	75
47	5×5.8	35	6.3×5.8	44	6.3×5.8	48	8×6.5	66	8×10.5	86	8×10.5	90
100	6.3×5.8	60	8×6.5	79	8×6.5	86	8×10.5	113	10×10.5	145	10×10.5	151
					8×10.5	101						
220	8×10.5	127	8×10.5	137	8×10.5	150	10×10.5	194	10×10.5	216	—	—
					10×10.5	174						
330	8×10.5	156	10×10.5	194	10×10.5	213	—	—	—	—	—	—
470	10×10.5	215	10×10.5	232	10×10.5	254	—	—	—	—	—	—

(Note) Rated ripple current : 105°C, 120Hz.

Chip Type Audio Use Capacitors **GREEN CAP** **SMD** **105°C 1000hours** **For Audio**

- Audio grade surface mount product with completely new components using synthetic mica paper for the separator.
- Both quality sense and sound field that could not be realized by the surface mount products are reproducible.

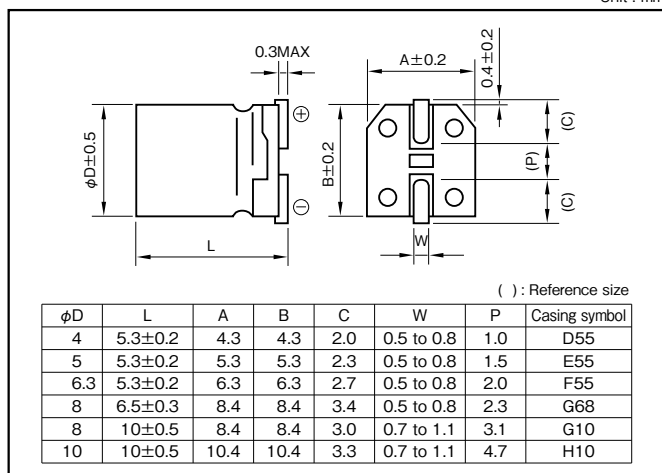


Marking color : Black print (except height : 10mm)
White print on a brown sleeve (φ8×10L, φ10×10L)

Specifications

Item	Performance						
Category temperature range (°C)	-55 to +105						
Tolerance at rated capacitance (%)	±20 (20°C, 120Hz)						
Leakage current (μA)	Less than 0.01CV or 3 whichever is larger (after 2 minutes) C : Rated capacitance (μF) ; V : Rated voltage (V) (20°C)						
Tangent of loss angle (tanδ)	Rated voltage (V)	6.3	10	16	25	35	50
	tanδ (max.)	0.30	0.26	0.22	0.16	0.13	0.12
Characteristics at high and low temperature	Impedance ratio (max.)	Z-25°C/Z+20°C	4	3	2	2	2
		Z-40°C/Z+20°C	8	5	4	3	3
Endurance (105°C) (Applied ripple current)	Test time	1000 hours					
	Leakage current	The initial specified value or less					
	Percentage of capacitance change	Within ±20% of initial value					
	Tangent of the loss angle	200% or less of the initial specified value					
Shelf life (105°C)	Test time : 1000 hours ; other items are the same as those for the endurance. Voltage application treatment : According to JIS C5101 -1						
Applicable standards	JIS C5101-1 1998, -18 1999 (IEC 60384-1 1992, -18 1993)						

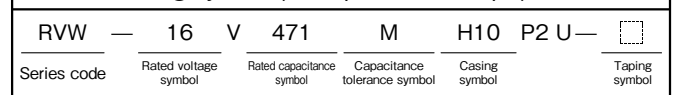
Outline Drawing



Coefficient of Frequency for Rated Ripple Current

Frequency (Hz)	50	120	1k	10k-100k
Rated voltage (V)				
6.3 to 16	0.80	1	1.15	1.25
25 to 35	0.80	1	1.25	1.40
50	0.80	1	1.35	1.50

Part numbering system (example : 16V471 M H10 P2 U)



- Soldering conditions are described on page 13.
- Land pattern size are described on page 11.
- The taping specifications are described on page 14.

Standard Ratings

Rated capacitance (μF)	6.3		10		16		25		35		50	
	Case	Rated ripple current	Case	Rated ripple current	Case	Rated ripple current	Case	Rated ripple current	Case	Rated ripple current	Case	Rated ripple current
0.33	—	—	—	—	—	—	—	—	—	—	4×5.3	4
0.47	—	—	—	—	—	—	—	—	—	—	4×5.3	5
1	—	—	—	—	—	—	—	—	—	—	4×5.3	7
2.2	—	—	—	—	—	—	—	—	—	—	4×5.3	10
3.3	—	—	—	—	—	—	—	—	—	—	4×5.3	12
4.7	—	—	—	—	—	—	4×5.3	12	4×5.3	14	5×5.3	17
10	—	—	4×5.3	15	4×5.3	16	5×5.3	21	5×5.3	23	6.3×5.3	26
22	4×5.3	21	5×5.3	25	5×5.3	28	6.3×5.3	36	6.3×5.3	50	8×6.5	110
33	5×5.3	30	5×5.3	31	6.3×5.3	40	6.3×5.3	44	8×6.5	110	8×10	178
47	5×5.3	36	6.3×5.3	43	6.3×5.3	47	8×6.5	110	8×10	178	8×10	178
100	6.3×5.3	61	8×6.5	110	8×10	178	8×10	178	10×10	324	10×10	324
220	8×10	178	8×10	178	10×10	324	10×10	324	10×10	324	—	—
330	8×10	178	10×10	324	10×10	324	—	—	—	—	—	—
470	10×10	324	10×10	324	10×10	324	—	—	—	—	—	—

(Note) Rated ripple current : 105°C, 120Hz.

Chip Type Audio Use Capacitors

GREEN CAP

SMD

For Audio

- New developed Al-Foil and Electrolyte for Audio grade allow lower distortion.
- New range of bright and smooth sound is achieved in SMD area.



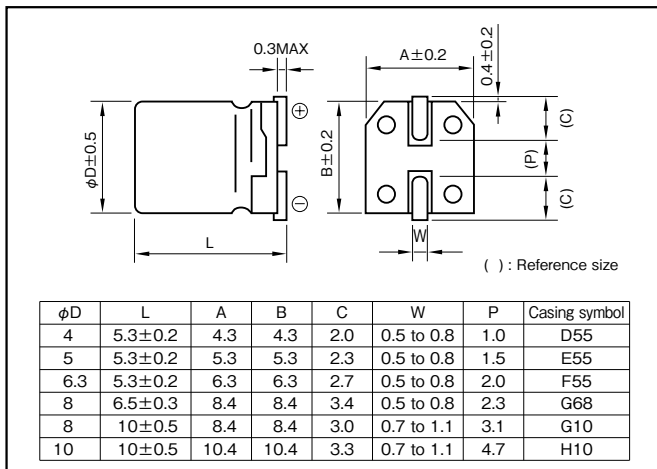
Marking color : Black print

Specifications

Item	Performance					
Category temperature range (°C)	-40 to +85					
Tolerance at rated capacitance (%)	±20 (20°C, 120Hz)					
Leakage current (µA)	Less than 0.01CV or 3 whichever is larger (after 2 minutes) C : Rated capacitance (µF) ; V : Rated voltage (V) (20°C)					
Tangent of loss angle (tanδ)	Rated voltage (V)	6.3	10	16	25	35
	tanδ (max.)	0.28	0.24	0.20	0.16	0.14
Characteristics at high and low temperature	Impedance ratio (max.)	Z-25°C/Z+20°C	4	3	2	2
		Z-40°C/Z+20°C	8	5	4	3
Endurance (85°C) (Applied ripple current)	Test time	2000 hours				
	Leakage current	The initial specified value or less				
	Percentage of capacitance change	Within ±20% of initial value				
	Tangent of the loss angle	200% or less of the initial specified value				
Shelf life (85°C)	Test time : 500 hours ; other items are the same as those for the endurance. Voltage application treatment : According to JIS C5101 -1					
Applicable standards	JIS C5101-1 1998, -18 1999 (IEC 60384-1 1992, -18 1993)					

Outline Drawing

Unit : mm



Coefficient of Frequency for Rated Ripple Current

Frequency (Hz)	50	120	1k	10k · 100k
Rated voltage (V)				
6.3 to 16	0.80	1	1.15	1.25
25 to 35	0.80	1	1.25	1.40

Part numbering system (example : 16V47 µF)

RVG	—	16	V	470	M	F55	U	—	□
Series code		Rated voltage symbol		Rated capacitance symbol	Capacitance tolerance symbol	Casing symbol			Taping symbol

- Soldering conditions are described on page 13.
- Land pattern size are described on page 11.
- The taping specifications are described on page 14.

Standard Ratings

Rated voltage (V)	6.3		10		16		25		35	
	Case	Rated ripple current	Case	Rated ripple current	Case	Rated ripple current	Case	Rated ripple current	Case	Rated ripple current
Rated capacitance (µF)	φD×L (mm)	(mArms)	φD×L (mm)	(mArms)	φD×L (mm)	(mArms)	φD×L (mm)	(mArms)	φD×L (mm)	(mArms)
3.3	—	—	—	—	—	—	—	—	4×5.3	11
4.7	—	—	—	—	4×5.3	11	4×5.3	12	4×5.3	13
10	—	—	—	—	5×5.3	19	5×5.3	21	5×5.3	22
22	4×5.3	20	—	—	5×5.3	28	6.3×5.3	36	6.3×5.3	39
33	5×5.3	29	5×5.3	31	6.3×5.3	40	6.3×5.3	44	8×6.5	60
47	5×5.3	34	6.3×5.3	43	6.3×5.3	47	8×6.5	66	8×10	82
100	6.3×5.3	58	8×6.5	79	8×6.5	87	8×10	112	10×10	139
220	8×6.5	107	8×10	136	8×10	149	10×10	192	—	—
330	8×10	153	8×10	166	10×10	221	—	—	—	—
470	8×10	183	10×10	229	—	—	—	—	—	—

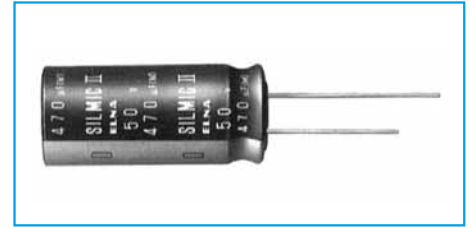
(Note) Rated ripple current : 85°C, 120Hz

SILMIC series Silk fiber using audio purpose capacitor

- ELNA developed new raw material for the separate paper which use a silk fibers. Therefore, this capacitor can give you high grade sound for your audio design.
- Due to the silk fiber's pliability, the capacitor makes a dream of the high quality sound.

For examples ;

- To relieve the music's vibration energy.
- To decrease the peak feeling sound at high compass and rough quality sound at middle compass.
- To increase massive sound at low compass.
- For bipolar capacitors, consult with us.

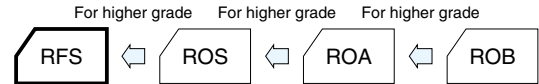


Marking color : White print on a brown sleeve

Miniature High Grade Capacitors for Audio(SILMIC II)

GREEN CAP For Audio

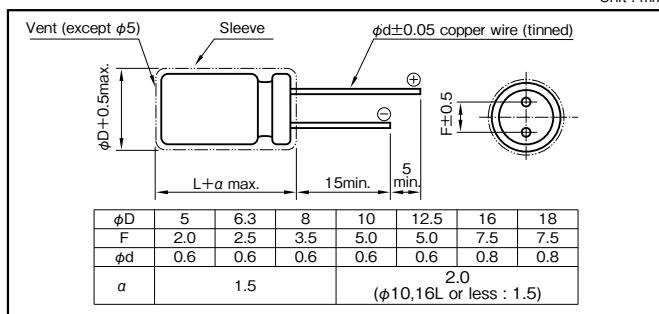
- All lead wires oxygen-free copper for extremely low distortion. (Third high frequency distortion 10kHz,0.1A,-120dB or less)
- "SILMIC II" mark on sleeve.



Specifications

Item	Performance								
Category temperature range (°C)	-40 to +85								
Tolerance at rated capacitance (%)	±20 (20°C,120Hz)								
Leakage current (µA)	Less than 0.01CV or 3 whichever is larger (after 5 minutes) C : Rated capacitance (µF) ; V : Rated voltage (V) (20°C)								
Tangent of loss angle (tanδ)	Rated voltage (V)	6.3	10	16	25	35	50	63	100
	tanδ (max.)	0.20	0.17	0.13	0.10	0.10	0.08	0.08	0.08
0.02 is added to every 1000µF increase over 1000µF (20°C,120Hz)									
Endurance (85°C) (Applied ripple current)	Test time	1000 hours (with the polarity inverted every 250 hours)							
	Leakage current	The initial specified value or less							
	Percentage of capacitance change	Within ±20% of initial value							
	Tangent of the loss angle	150% or less of the initial specified value							
Shelf life (85°C)	Test time : 1000 hours. Other have same as endurance. Voltage application treatment : According to JIS C5101 -1								
Applicable standards	JIS C5101-1, -4 1998 (IEC 60384-1 1992, -4 1985)								

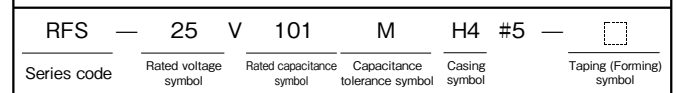
Outline Drawing



Coefficient of Frequency for Rated Ripple Current

Rated voltage (V)	Frequency (Hz) CV (µF×VV)	50 · 60	120	1k	10k	100k
		6.3 to 16	All CV value	0.8	1	1.1
25 to 35	≤1000	0.8	1	1.5	1.7	1.7
	1000<	0.8	1	1.2	1.3	1.3
50 to 100	≤1000	0.8	1	1.6	1.9	1.9
	1000<	0.8	1	1.2	1.3	1.3

Part numbering system (example : 25V100µF)



Case symbol

Case φDXL (mm)	Casing Symbol	Case φDXL (mm)	Casing Symbol	Case φDXL (mm)	Casing Symbol	Case φDXL (mm)	Casing Symbol
5×11	E3	10×12.5	H3	12.5×20	I5	16×31.5	J7
6.3×11	F3	10×16	H4	12.5×25	I6	16×35.5	J8
8×11.5	G3	10×20	H5	16×25	J6	18×35.5	K8
				18×40	K9		

Standard Ratings

Rated capacitance (µF)	6.3		10		16		25		35		50		63		100	
	Case φDXL (mm)	Rated ripple current (mA)	Case φDXL (mm)	Rated ripple current (mA)	Case φDXL (mm)	Rated ripple current (mA)	Case φDXL (mm)	Rated ripple current (mA)	Case φDXL (mm)	Rated ripple current (mA)	Case φDXL (mm)	Rated ripple current (mA)	Case φDXL (mm)	Rated ripple current (mA)	Case φDXL (mm)	Rated ripple current (mA)
2.2	—	—	—	—	—	—	—	—	—	—	5×11	20	5×11	22	5×11	25
3.3	—	—	—	—	—	—	—	—	—	—	6.3×11	23	5×11	30	6.3×11	30
	—	—	—	—	—	—	—	—	—	—	6.3×11	30	8×11.5	40	8×11.5	40
4.7	—	—	—	—	—	—	5×11	25	5×11	30	5×11	35	5×11	35	10×12.5	60
	—	—	—	—	—	—	6.3×11	60	6.3×11	55	6.3×11	40	6.3×11	40	10×16	95
10	—	—	—	—	5×11	35	5×11	35	5×11	35	8×11.5	75	8×11.5	75	10×16	95
	—	—	—	—	6.3×11	70	6.3×11	80	8×11.5	95	10×12.5	130	10×16	140	10×20	155
22	—	—	5×11	50	5×11	55	5×11	60	8×11.5	95	10×12.5	130	10×16	140	10×20	155
	—	—	6.3×11	70	6.3×11	90	8×11.5	120	10×12.5	140	10×16	175	10×20	190	12.5×20	220
33	5×11	55	5×11	65	5×11	70	8×11.5	120	10×12.5	140	10×16	175	10×20	190	12.5×20	220
	6.3×11	80	6.3×11	85	8×11.5	125	8×11.5	140	10×12.5	170	10×16	210	10×20	225	12.5×25	285
100	8×11.5	135	8×11.5	145	10×12.5	215	10×16	270	10×20	295	12.5×20	380	12.5×25	415	16×25	485
220	10×12.5	240	10×16	260	10×20	385	12.5×20	505	12.5×25	550	16×25	720	16×31.5	785	18×40	930
330	10×16	290	10×20	350	12.5×20	545	12.5×25	675	16×25	785	16×31.5	965	16×35.5	1010	—	—
470	10×20	390	12.5×20	455	12.5×25	710	16×25	940	16×31.5	1030	16×35.5	1210	18×35.5	1295	—	—
1000	12.5×20	710	16×25	835	16×31.5	1315	16×35.5	1575	18×35.5	1690	18×40	1985	—	—	—	—
2200	—	—	16×35.5	1500	18×40	2150	—	—	—	—	—	—	—	—	—	—
3300	—	—	18×40	1980	—	—	—	—	—	—	—	—	—	—	—	—

(Note) Rated ripple current : 85°C, 120Hz

NOTE : Design, Specifications are subject to change without notice. It is recommended that you shall obtain technical specifications from ELNA to ensure that the component is suitable for your use.

SILMIC series Silk fiber using audio purpose capacitor

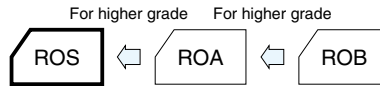
High Grade Capacitors for Audio(SILMIC)

GREEN CAP For Audio

- All lead wires oxygen-free copper for extremely low distortion. (Third high frequency distortion 10kHz,0.1A,-120dB or less)
- "SILMIC" mark on sleeve.



Marking color : White print on a brown sleeve

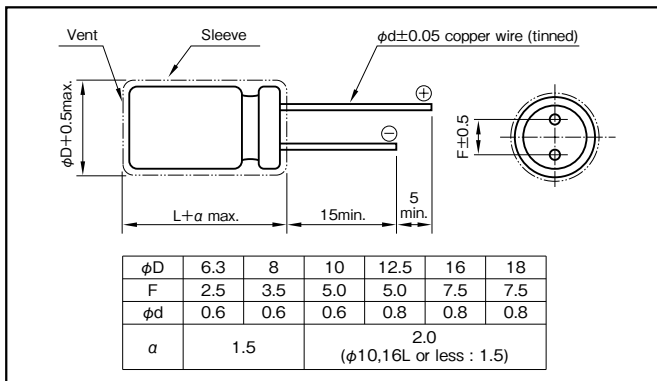


Specifications

Item	Performance						
Category temperature range (°C)	-40 to +85						
Tolerance at rated capacitance (%)	±20 (20°C,120Hz)						
Leakage current (μA)	Less than 0.01CV or 3 whichever is larger (after 5 minutes) C : Rated capacitance (μF) ; V : Rated voltage (V) (20°C)						
Tangent of loss angle (tanδ)	Rated voltage (V)	16	25	35	50	63	100
	tanδ (max.)	0.13	0.10	0.10	0.08	0.08	0.08
0.02 is added to every 1000μF increase over 1000μF (20°C,120Hz)							
Endurance (85°C) (Applied ripple current)	Test time	1000 hours					
	Leakage current	The initial specified value or less					
	Percentage of capacitance change	Within ±20% of initial value					
	Tangent of the loss angle	150% or less of the initial specified value					
Shelf life (85°C)	Test time : 1000 hours. Other have same as endurance. Voltage application treatment : According to JIS C5101 -1						
Applicable standards	JIS C5101-1, -4 1998 (IEC 60384-1 1992, -4 1985)						

Outline Drawing

Unit : mm



Coefficient of Frequency for Rated Ripple Current

Rated voltage (V)	Frequency (Hz) CV(μF×WV)	50 · 60	120	1k	10k	100k
		16	All CV value	0.8	1	1.1
25 to 35	≤1000	0.8	1	1.5	1.7	1.7
	1000<	0.8	1	1.2	1.3	1.3
50 to 100	≤1000	0.8	1	1.6	1.9	1.9
	1000<	0.8	1	1.2	1.3	1.3

Part numbering system (example : 25V100μF)

ROS	25	V	101	M	H4	#5	—	
Series code	Rated voltage symbol		Rated capacitance symbol	Capacitance tolerance symbol	Casing symbol			Taping (Forming) symbol

Case symbol

Case φD×L (mm)	Casing Symbol	Case φD×L (mm)	Casing Symbol	Case φD×L (mm)	Casing Symbol	Case φD×L (mm)	Casing Symbol
6.3×11	F3	10×16	H4	12.5×25	I6	16×35.5	J8
8×11.5	G3	10×20	H5	16×25	J6	18×35.5	K8
10×12.5	H3	12.5×20	I5	16×31.5	J7	18×40	K9

Standard Ratings

Rated voltage (V) / Rated capacitance (μF)	16		25		35		50		63		100	
	Case φD×L (mm)	Rated ripple current (mA rms)	Case φD×L (mm)	Rated ripple current (mA rms)	Case φD×L (mm)	Rated ripple current (mA rms)	Case φD×L (mm)	Rated ripple current (mA rms)	Case φD×L (mm)	Rated ripple current (mA rms)	Case φD×L (mm)	Rated ripple current (mA rms)
2.2	—	—	—	—	—	—	—	—	—	—	6.3×11	25
3.3	—	—	—	—	—	—	—	—	—	—	8×11.5	35
4.7	—	—	—	—	—	—	6.3×11	40	6.3×11	40	10×12.5	60
10	—	—	—	—	6.3×11	55	8×11.5	75	8×11.5	75	10×16	95
22	6.3×11	70	6.3×11	80	8×11.5	95	10×12.5	130	10×16	140	10×20	155
33	6.3×11	90	8×11.5	120	10×12.5	140	10×16	175	10×20	190	12.5×20	220
47	8×11.5	125	8×11.5	140	10×12.5	170	10×16	210	10×20	225	12.5×25	285
100	10×12.5	215	10×16	270	10×20	295	12.5×20	380	12.5×25	415	16×25	485
220	10×20	385	12.5×20	505	12.5×25	550	16×25	720	16×31.5	785	18×40	930
330	12.5×20	545	12.5×25	675	16×25	785	16×31.5	965	16×35.5	1010	—	—
470	12.5×25	710	16×25	940	16×31.5	1030	16×35.5	1210	18×35.5	1295	—	—
1000	16×31.5	1315	16×35.5	1575	18×35.5	1690	18×40	1985	—	—	—	—
2200	18×40	2150	—	—	—	—	—	—	—	—	—	—

(Note) Rated ripple current : 85°C, 120Hz.

NOTE : Design, Specifications are subject to change without notice. It is recommended that you shall obtain technical specifications from ELNA to ensure that the component is suitable for your use.

Miniature Standard Capacitors for Audio

GREEN CAP For Audio



Marking color : Gold print on a black sleeve

TONEREX

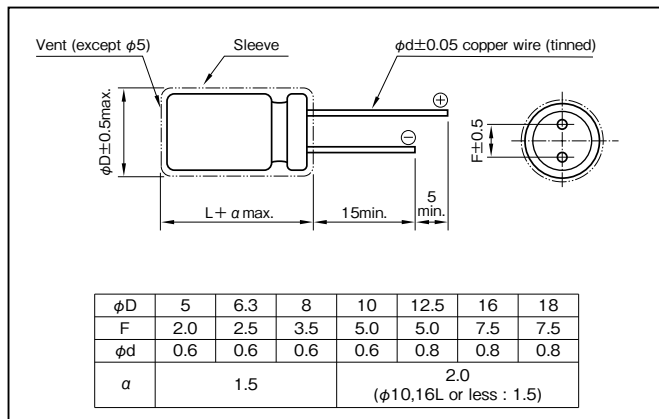
- Adopting the newly developed formation method and composite electrolytic paper for audio application has reduced distortion, achieving high-quality sound.
- All lead wires are oxygen-free copper wires to reduce distortion.

Specifications

Item	Performance									
Category temperature range (°C)	-40 to +85									
Tolerance at rated capacitance (%)	±20 (20°C,120Hz)									
Leakage current (μA)	Less than 0.01CV or 4 whichever is larger (after 5 minutes) C : Rated capacitance (μF) ; V : Rated voltage (V) (20°C)									
Tangent of loss angle (tanδ)	Rated voltage (V)	6.3	10	16	25	35	50	63	100	
	tanδ (max.)	0.24	0.20	0.16	0.14	0.12	0.10	0.09	0.08	
0.02 is added to every 1000μF increase over 1000μF (20°C,120Hz)										
Endurance (85°C) (Applied ripple current)	Test time	1000 hours								
	Leakage current	The initial specified value or less								
	Percentage of capacitance change	Within ±20% of initial value								
	Tangent of the loss angle	150% or less of the initial specified value								
Shelf life (85°C)	Test time : 1000 hours. Other have same as endurance. Voltage application treatment : According to JIS C5101 -1									
Applicable standards	JIS C5101-1, -4 1998 (IEC 60384-1 1992, -4 1985)									

Outline Drawing

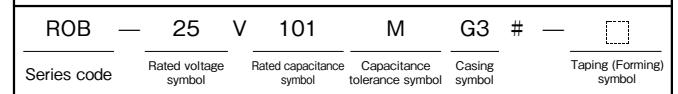
Unit : mm



Coefficient of Frequency for Rated Ripple Current

Rated voltage (V)	Frequency (Hz) CV (μF×VV)	50·60	120	1k	10k	100k
		6.3 to 16	All CV value	0.8	1	1.1
25 to 35	≤1000	0.8	1	1.5	1.7	1.7
	1000<	0.8	1	1.2	1.3	1.3
50 to 100	≤1000	0.8	1	1.6	1.9	1.9
	1000<	0.8	1	1.2	1.3	1.3

Part numbering system (example : 25V100μF)



Case symbol

Case Symbol	Casing Symbol	Case φD×L (mm)	Casing Symbol	Case φD×L (mm)	Casing Symbol	Case φD×L (mm)	Casing Symbol
5×11	E3	10×12.5	H3	12.5×20	I5	16×31.5	J7
6.3×11	F3	10×16	H4	12.5×25	I6	16×35.5	J8
8×11.5	G3	10×20	H5	16×25	J6	18×35.5	K8
						18×40	K9

Standard Ratings

Rated capacitance (μF)	Item	6.3		10		16		25		35		50		63		100	
		Case φD×L (mm)	Rated ripple current (mArms)	Case φD×L (mm)	Rated ripple current (mArms)	Case φD×L (mm)	Rated ripple current (mArms)	Case φD×L (mm)	Rated ripple current (mArms)	Case φD×L (mm)	Rated ripple current (mArms)	Case φD×L (mm)	Rated ripple current (mArms)	Case φD×L (mm)	Rated ripple current (mArms)	Case φD×L (mm)	Rated ripple current (mArms)
1		—	—	—	—	—	—	—	—	—	—	5×11	10	—	—	5×11	15
2.2		—	—	—	—	—	—	—	—	—	—	5×11	20	—	—	5×11	25
3.3		—	—	—	—	—	—	—	—	—	—	5×11	25	—	—	5×11	30
4.7		—	—	—	—	—	—	5×11	25	—	—	5×11	35	5×11	35	6.3×11	40
10		—	—	—	—	5×11	35	5×11	40	5×11	45	5×11	50	6.3×11	60	8×11.5	70
22		—	—	5×11	50	5×11	60	5×11	60	6.3×11	75	6.3×11	80	8×11.5	100	10×12.5	120
33		5×11	55	5×11	65	5×11	70	6.3×11	80	6.3×11	90	8×11.5	110	8×11.5	115	10×16	160
47		5×11	65	5×11	75	6.3×11	95	6.3×11	100	8×11.5	120	8×11.5	130	10×12.5	165	10×20	210
100		6.3×11	110	6.3×11	120	8×11.5	150	8×11.5	165	10×12.5	210	10×16	250	10×20	285	12.5×20	340
220		8×11.5	185	8×11.5	200	10×12.5	265	10×16	310	10×20	365	12.5×20	440	12.5×20	470	16×25	620
330		10×12.5	265	10×12.5	290	10×16	350	10×20	410	12.5×20	500	12.5×20	540	12.5×25	620	16×31.5	820
470		10×12.5	315	10×16	380	10×20	460	12.5×20	550	12.5×25	640	16×25	800	16×25	840	18×35.5	1000
1000		10×20	550	12.5×20	670	12.5×25	810	16×25	1000	16×25	1050	16×31.5	1200	18×35.5	1500	—	—
2200		12.5×25	980	16×25	1200	16×25	1350	16×35.5	1650	18×35.5	1900	—	—	—	—	—	—
3300		16×25	1300	16×31.5	1600	16×35.5	1800	18×40	2100	—	—	—	—	—	—	—	—
4700		16×31.5	1700	16×35.5	1900	18×35.5	2400	—	—	—	—	—	—	—	—	—	—
6800		16×35.5	2100	18×40	2600	—	—	—	—	—	—	—	—	—	—	—	—
10000		18×40	2800	—	—	—	—	—	—	—	—	—	—	—	—	—	—

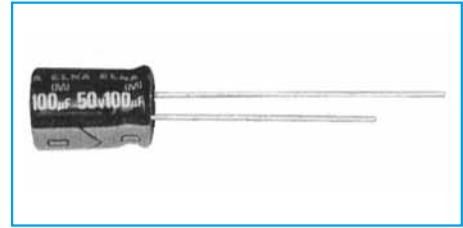
(Note) Rated ripple current : 85°C, 120Hz

NOTE : Design, Specifications are subject to change without notice. It is recommended that you shall obtain technical specifications from ELNA to ensure that the component is suitable for your use.

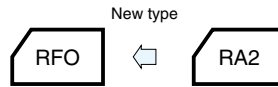
Miniature Capacitors for Audio (PURECAP)

GREEN CAP For Audio

- A standard capacitor utilizing a newly developed material for a high grade of audio reproduction.
- Copper clad steel wire is used for leads.
- New type miniaturized capacitor for audio, using synthetic mica paper for the separator.



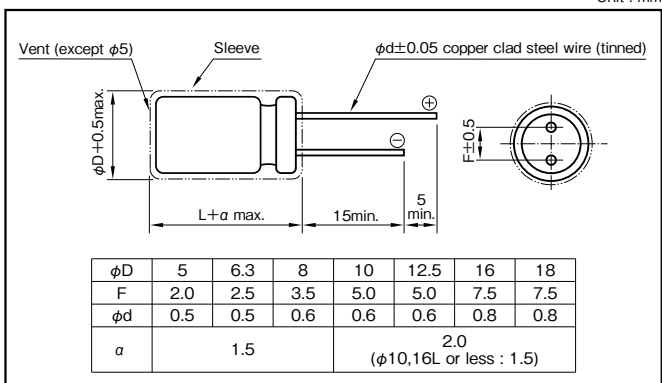
Marking color : Gold print on a black sleeve



Specifications

Item	Performance								
Category temperature range (°C)	-40 to +85								
Tolerance at rated capacitance (%)	±20 (20°C, 120Hz)								
Leakage current (µA)	Less than 0.01CV or 3 whichever is larger (after 2 minutes) C : Rated capacitance (µF) ; V : Rated voltage (V) (20°C)								
Tangent of loss angle (tanδ)	Rated voltage (V)	6.3	10	16	25	35	50	63	100
	tanδ (max.)	0.22	0.19	0.16	0.14	0.12	0.10	0.09	0.08
0.02 is added to every 1000µF increase over 1000µF (20°C, 120Hz)									
Endurance (85°C) (Applied ripple current)	Test time	1000 hours							
	Leakage current	The initial specified value or less							
	Percentage of capacitance change	Within ±20% of initial value							
	Tangent of the loss angle	150% or less of the initial specified value							
Shelf life (85°C)	Test time : 1000 hours. Other have same as endurance. Voltage application treatment : According to JIS C5101 -1								
Applicable standards	JIS C5101-1, -4 1998 (IEC 60384-1 1992, -4 1985)								

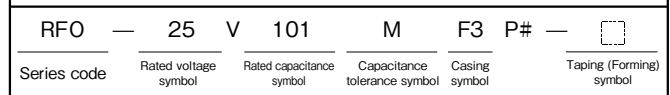
Outline Drawing



Coefficient of Frequency for Rated Ripple Current

Rated voltage(V)	Frequency(Hz) CV(µF×VV)	50 - 60	120	1k	10k	100k
		6.3 to 16	All CV value	0.8	1	1.1
25 to 35	≤1000	0.8	1	1.5	1.7	1.7
	1000<	0.8	1	1.2	1.3	1.3
50 to 100	≤1000	0.8	1	1.6	1.9	1.9
	1000<	0.8	1	1.2	1.3	1.3

Part numbering system (example : 25V100µF)



Case symbol

Case φD×L (mm)	Casing Symbol	Case φD×L (mm)	Casing Symbol	Case φD×L (mm)	Casing Symbol	Case φD×L (mm)	Casing Symbol
5×11	E3	10×12.5	H3	12.5×20	I5	16×31.5	J7
6.3×11	F3	10×16	H4	12.5×25	I6	18×35.5	K8
8×11.5	G3	10×20	H5	16×25	J6		

Standard Ratings

Rated capacitance (µF)	6.3		10		16		25		35		50		63		100		
	Case φD×L (mm)	Rated ripple current (mA)	Case φD×L (mm)	Rated ripple current (mA)	Case φD×L (mm)	Rated ripple current (mA)	Case φD×L (mm)	Rated ripple current (mA)	Case φD×L (mm)	Rated ripple current (mA)	Case φD×L (mm)	Rated ripple current (mA)	Case φD×L (mm)	Rated ripple current (mA)	Case φD×L (mm)	Rated ripple current (mA)	
1	—	—	—	—	—	—	—	—	—	—	5×11	15	—	—	5×11	15	
2.2	—	—	—	—	—	—	—	—	—	—	5×11	20	—	—	5×11	25	
3.3	—	—	—	—	—	—	—	—	—	—	5×11	25	—	—	5×11	30	
4.7	—	—	—	—	—	—	—	—	—	5×11	30	5×11	30	5×11	35	5×11	35
10	—	—	—	—	—	—	—	—	—	5×11	45	5×11	45	5×11	50	6.3×11	60
22	—	—	—	—	5×11	50	5×11	55	5×11	60	5×11	70	6.3×11	85	8×11.5	110	
33	—	—	5×11	55	5×11	60	5×11	70	5×11	80	6.3×11	100	6.3×11	100	10×12.5	160	
47	—	—	5×11	65	5×11	75	5×11	85	6.3×11	110	6.3×11	120	8×11.5	150	10×16	210	
100	5×11	85	5×11	95	6.3×11	120	6.3×11	140	8×11.5	190	8×11.5	210	10×12.5	260	12.5×20	380	
220	6.3×11	150	6.3×11	165	8×11.5	220	8×11.5	250	10×12.5	330	10×16	400	10×20	460	16×25	720	
330	6.3×11	180	8×11.5	240	8×11.5	270	10×12.5	370	10×16	450	10×20	540	12.5×20	650	16×25	880	
470	8×11.5	260	8×11.5	280	10×12.5	390	10×16	480	10×20	590	12.5×20	740	12.5×25	850	16×31.5	1150	
1000	10×12.5	450	10×16	540	10×20	680	12.5×20	880	12.5×25	1050	16×25	1350	16×31.5	1550	—	—	
2200	12.5×20	890	12.5×20	970	12.5×25	1200	16×25	1550	16×31.5	1750	18×35.5	2100	—	—	—	—	
3300	12.5×20	1050	12.5×25	1250	16×25	1600	16×31.5	1950	18×35.5	2250	—	—	—	—	—	—	
4700	16×25	1550	16×25	1650	16×31.5	2050	18×35.5	2500	—	—	—	—	—	—	—	—	
6800	16×25	1750	16×31.5	2050	18×35.5	2550	—	—	—	—	—	—	—	—	—	—	
10000	16×31.5	2150	18×35.5	2550	—	—	—	—	—	—	—	—	—	—	—	—	
15000	18×35.5	2700	—	—	—	—	—	—	—	—	—	—	—	—	—	—	

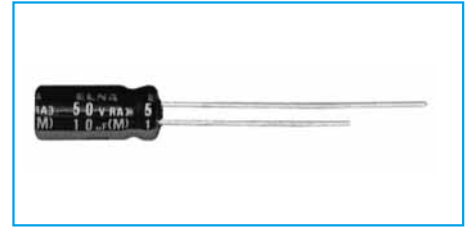
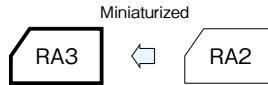
(Note) Rated ripple current : 85°C, 120Hz

NOTE : Design, Specifications are subject to change without notice. It is recommended that you shall obtain technical specifications from ELNA to ensure that the component is suitable for your use.

Miniature Capacitors for Audio

GREEN CAP For Audio

- With the same size as that for Series RE3 miniaturized standard capacitors, a high resolution sound quality grade has been realized.
- The newly developed audio use material makes clear sound a reality.
- All lead wires are copper clad steel.

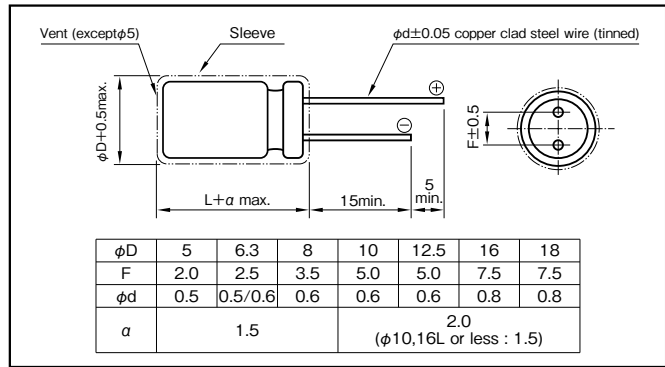


Marking color : White print on a brown sleeve

Specifications

Item	Performance								
Category temperature range (°C)	-40 to +85								
Tolerance at rated capacitance (%)	±20 (20°C,120Hz)								
Leakage current (µA)	Less than 0.01CV or 3 whichever is larger (after 2 minutes) C : Rated capacitance (µF) ; V : Rated voltage (V) (20°C)								
Tangent of loss angle (tanδ)	Rated voltage (V)	6.3	10	16	25	35	50	63	100
	tanδ (max.)	0.28	0.24	0.20	0.16	0.14	0.12	0.11	0.10
0.02 is added to every 1000µF increase over 1000µF (20°C,120Hz)									
Endurance (85°C) (Applied ripple current)	Test time	2000 hours							
	Leakage current	The initial specified value or less							
	Percentage of capacitance change	Within ±20% of initial value							
	Tangent of the loss angle	200% or less of the initial specified value							
Shelf life (85°C)	Test time : 1000 hours. Other have same as endurance. Voltage application treatment : According to JIS C5101 -1								
Applicable standards	JIS C5101-1, -4 1998 (IEC 60384-1 1992, -4 1985)								

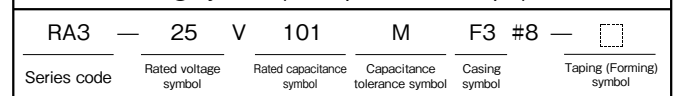
Outline Drawing



Coefficient of Frequency for Rated Ripple Current

Rated voltage(V)	Frequency (Hz) CV (µF×WV)	50 · 60	120	1k	10k	100k
		6.3 to 16	All CV value	0.8	1	1.1
25 to 35	≤1000	0.8	1	1.5	1.7	1.7
	1000<	0.8	1	1.2	1.3	1.3
50 to 100	≤1000	0.8	1	1.6	1.9	1.9
	1000<	0.8	1	1.2	1.3	1.3

Part numbering system (example : 25V100µF)



Case symbol

Case φD×L (mm)	Casing Symbol	Case φD×L (mm)	Casing Symbol	Case φD×L (mm)	Casing Symbol	Case φD×L (mm)	Casing Symbol
5×11	E3	10×12.5	H3	12.5×20	I5	16×31.5	J7
6.3×11	F3	10×16	H4	12.5×25	I6	18×35.5	K8
8×11.5	G3	10×20	H5	16×25	J6	—	—

Standard Ratings

Rated capacitance (µF)	6.3		10		16		25		35		50		63		100	
	Case φD×L (mm)	Rated ripple current (mA)	Case φD×L (mm)	Rated ripple current (mA)	Case φD×L (mm)	Rated ripple current (mA)	Case φD×L (mm)	Rated ripple current (mA)	Case φD×L (mm)	Rated ripple current (mA)	Case φD×L (mm)	Rated ripple current (mA)	Case φD×L (mm)	Rated ripple current (mA)	Case φD×L (mm)	Rated ripple current (mA)
1	—	—	—	—	—	—	—	—	—	—	5×11	21	—	—	5×11	21
2.2	—	—	—	—	—	—	—	—	—	—	5×11	31	—	—	5×11	31
3.3	—	—	—	—	—	—	—	—	—	—	5×11	38	—	—	5×11	40
4.7	—	—	—	—	—	—	—	—	—	—	5×11	45	—	—	5×11	50
10	—	—	—	—	5×11	50	5×11	55	5×11	60	5×11	66	5×11	70	5×11	70
22	—	—	—	—	5×11	75	5×11	90	5×11	95	5×11	100	5×11	105	6.3×11	115
33	—	—	—	—	5×11	110	5×11	110	5×11	110	5×11	110	6.3×11	130	8×11.5	158
47	—	—	—	—	5×11	130	5×11	130	5×11	130	6.3×11	155	6.3×11	160	8×11.5	188
100	5×11	130	5×11	150	5×11	180	6.3×11	199	6.3×11	214	8×11.5	250	8×11.5	270	10×16	358
220	5×11	240	6.3×11	250	6.3×11	280	8×11.5	349	8×11.5	350	10×12.5	429	10×16	505	12.5×20	663
330	6.3×11	300	6.3×11	330	8×11.5	383	8×11.5	383	10×12.5	542	10×16	595	10×20	676	12.5×25	886
470	6.3×11	380	8×11.5	417	8×11.5	480	10×12.5	545	10×16	664	12.5×20	887	12.5×20	924	16×25	1230
1000	8×11.5	580	10×12.5	650	10×16	791	10×20	996	12.5×20	1210	12.5×25	1400	16×25	1710	18×35.5	2210
2200	10×16	939	10×20	1080	12.5×20	1350	12.5×25	1660	16×25	1950	16×31.5	2340	18×35.5	2870	—	—
3300	10×20	1230	12.5×20	1430	12.5×25	1690	16×25	2030	16×31.5	2320	18×35.5	2810	—	—	—	—
4700	12.5×20	1710	12.5×25	1780	16×25	2100	16×31.5	2650	18×35.5	2290	—	—	—	—	—	—
6800	12.5×25	1930	16×25	2270	16×31.5	2480	18×35.5	3290	—	—	—	—	—	—	—	—
10000	16×25	2450	16×31.5	2500	18×35.5	3130	—	—	—	—	—	—	—	—	—	—
15000	16×31.5	2580	18×35.5	3100	—	—	—	—	—	—	—	—	—	—	—	—
22000	18×35.5	3150	—	—	—	—	—	—	—	—	—	—	—	—	—	—

(Note) Rated ripple current : 85°C, 120Hz

NOTE : Design, Specifications are subject to change without notice. It is recommended that you shall obtain technical specifications from ELNA to ensure that the component is suitable for your use.

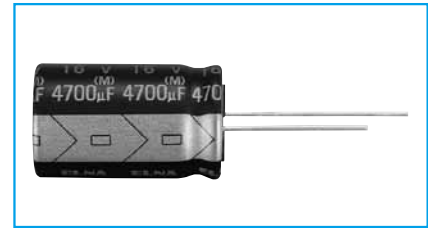
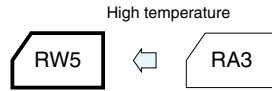
105°C Miniature Capacitors for Audio

GREEN CAP

105°C
1000hours

For Audio

- With the same size as that for Series RJ5 miniaturized standard capacitors, a high resolution sound quality grade has been realized.
- Guarantees 1000 hours at 105°C



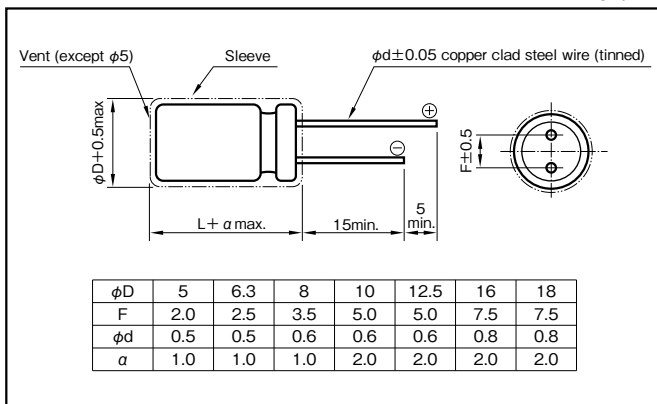
Marking color : Gold print on a black sleeve

Specifications

Item	Performance			
Category temperature range (°C)	-55 to +105			
Tolerance at rated capacitance (%)	±20 (20°C, 120Hz)			
Leakage current (µA)	Less than 0.03CV or 4 whichever is larger (after 1 minutes) C : Rated capacitance (µF) , V : Rated voltage (V) (20°C)			
Tangent of loss angle (tanδ)	Rated voltage (V)	16	25	
	tanδ (max.)	0.24	0.20	
0.02CV is added to every 1000µF increase over 1000µF (20°C, 120Hz)				
Characteristics at high and low temperature	Rated voltage (V)	16	25	
	Impedance ratio (max.)	Z-25°C/Z+20°C	3	2
		Z-40°C/Z+20°C	6	4
(120Hz)				
Endurance (105°C) (Applied ripple current)	Test time	1000 hours		
	Leakage current	The initial specified value or less		
	Percentage of capacitance change	Within ±20% of initial value		
	Tangent of the loss angle	200% or less of the initial specified value		
Shelf life (105°C)	Test time : 1000 hours; Other have same as endurance. Voltage application treatment : According to JIS C5101 -1			
Applicable standards	JIS C5101-1, -4 1998 (IEC 60384-1 1992, -4 1985)			

Outline Drawing

Unit : mm



Coefficient of Frequency for Rated Ripple Current

Rated Capacitance (µF)	Frequency (Hz)				
	50 · 60	120	1k	10k	100k
100 to 220	0.8	1	1.2	1.3	1.4
330 to 1000	0.8	1	1.2	1.2	1.3
2200 to 15000	0.8	1	1.1	1.1	1.1

Part numbering system (example : 16V3300µF)

RW5	—	16	V	332	M	I6	#	—	
Series code		Rated voltage symbol		Rated capacitance symbol	Capacitance tolerance symbol	Casing symbol			Taping (Forming) symbol

Standard Ratings

Rated capacitance (µF)	16			25		
	Case φD×L (mm)	Casing symbol	Rated ripple current (mA _{rms})	Case φD×L (mm)	Casing symbol	Rated ripple current (mA _{rms})
100	—	—	—	5×11.5	E3	125
220	6.3×11.5	F3	190	6.3×11.5	F3	200
330	6.3×11.5	F3	225	8×12	G3	310
470	8×12	G3	323	10×12.5	H3	429
1000	10×12.5	H3	500	10×16	H4	610
2200	10×20	H5	710	12.5×25	I6	1180
				16×20	J5	1230
				18×16	K4	1200
3300	12.5×25	I6	1200	16×25	J6	1440
	16×20	J5	1250	18×20	K5	1400
4700	16×25	J6	1500	16×25	J6	1570
	18×20	K5	1460	18×20	K5	1530
6800	16×25	J6	1600	16×35.5	J8	1850
	18×20	K5	1560	18×31.5	K7	1870
10000	16×35.5	J8	1930	18×40	K9	2000
15000	18×40	K9	2210	—	—	—

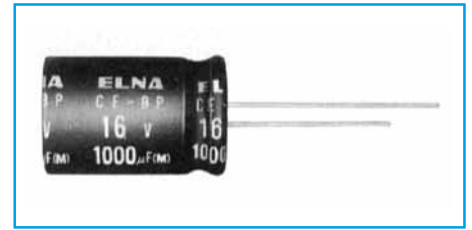
(Note) Rated ripple current : 105°C, 120Hz.

NOTE : Design, Specifications are subject to change without notice. It is recommended that you shall obtain technical specifications from ELNA to ensure that the component is suitable for your use.

Miniature Bipolar Capacitors for Audio

GREEN CAP For Audio

- The newly developed audio use foil and special electrolyte makes clear and far-carrying sound a reality.
- All lead wires are copper clad steel.

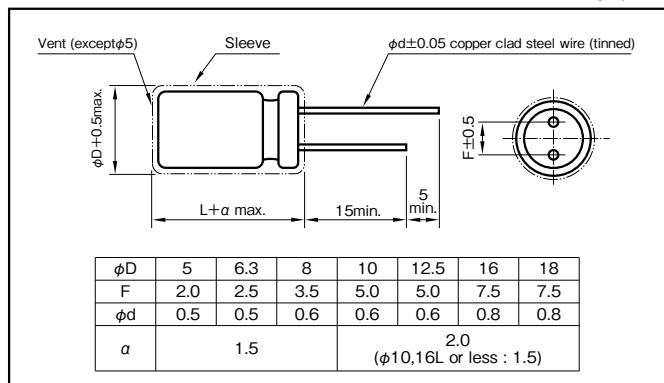


Marking color : Gold print on a black sleeve

Specifications

Item	Performance									
Category temperature range (°C)	-40 to +85									
Tolerance at rated capacitance (%)	±20 (20°C,120Hz)									
Leakage current (µA)	Less than 0.03CV + 3 (after 5 minutes) C : Rated capacitance (µF); V : Rated voltage (V) (20°C)									
Tangent of loss angle (tanδ)	Rated voltage (V)	6.3	10	16	25	35	50	63	100	
	tanδ (max.)	0.24	0.20	0.16	0.15	0.14	0.12	0.10	0.09	
0.02 is added to every 1000µF increase over 1000µF. (20°C,120Hz)										
Characteristics at high and low temperature	Rated voltage (V)	6.3	10	16	25	35	50	63	100	
	Impedance ratio (max.)	Z-25°C/Z+20°C	4	3	2	2	2	2	2	2
0.5 for -25°C, 1 for -40°C are added to every 1000µF increase over 1000µF. (120Hz)										
Endurance (85°C) (Applied ripple current)	Test time	2000 hours (with the polarity inverted every 250 hours)								
	Leakage current	The initial specified value or less								
	Percentage of capacitance change	Within ±20% of initial value								
	Tangent of the loss angle	150% or less of the initial specified value								
Applicable standards	JIS C5101-1, -4 1998 (IEC 60384-1 1992, -4 1985)									

Outline Drawing



Coefficient of Frequency for Rated Ripple Current

Frequency (Hz)	50 · 60	120	1k	10k · 100k
Rated voltage (V)				
6.3 to 16	0.8	1	1.1	1.2
25 to 35	0.8	1	1.5	1.7
50 to 100	0.8	1	1.6	1.9

Part numbering system (example : 10V1000µF)



Case symbol

Case φD×L (mm)	Casing Symbol	Case φD×L (mm)	Casing Symbol	Case φD×L (mm)	Casing Symbol	Case φD×L (mm)	Casing Symbol
5×11	E3	10×12.5	H3	12.5×20	I5	16×31.5	J7
6.3×11	F3	10×16	H4	12.5×25	I6	18×35.5	K8
8×11.5	G3	10×20	H5	16×25	J6	—	—

Standard Ratings

Rated voltage (V)	6.3		10		16		25		35		50		63		100	
	Case φD×L (mm)	Rated ripple current (mA Arms)	Case φD×L (mm)	Rated ripple current (mA Arms)	Case φD×L (mm)	Rated ripple current (mA Arms)	Case φD×L (mm)	Rated ripple current (mA Arms)	Case φD×L (mm)	Rated ripple current (mA Arms)	Case φD×L (mm)	Rated ripple current (mA Arms)	Case φD×L (mm)	Rated ripple current (mA Arms)	Case φD×L (mm)	Rated ripple current (mA Arms)
1	—	—	—	—	—	—	—	—	—	—	5×11	14	—	—	5×11	16
2.2	—	—	—	—	—	—	—	—	—	—	5×11	21	5×11	23	5×11	24
3.3	—	—	—	—	—	—	—	—	—	—	5×11	26	5×11	28	6.3×11	34
4.7	—	—	—	—	—	—	5×11	28	5×11	28	5×11	31	5×11	34	6.3×11	41
10	—	—	—	—	5×11	39	5×11	40	5×11	42	5×11	45	6.3×11	57	8×11.5	70
22	—	—	5×11	52	5×11	58	5×11	60	6.3×11	71	6.3×11	77	8×11.5	89	10×16	136
33	5×11	58	5×11	63	5×11	71	6.3×11	84	6.3×11	87	8×11.5	111	10×12.5	144	10×20	181
47	5×11	69	5×11	75	6.3×11	97	6.3×11	100	8×11.5	122	10×12.5	157	10×16	188	12.5×20	248
100	6.3×11	115	6.3×11	126	8×11.5	167	10×12.5	204	10×12.5	212	10×20	273	12.5×20	343	16×25	458
220	8×11.5	202	8×11.5	221	10×12.5	294	10×16	332	10×20	375	12.5×25	506	16×25	645	18×35.5	837
330	8×11.5	247	10×12.5	322	10×16	394	10×20	444	12.5×20	526	12.5×25	620	—	—	—	—
470	10×12.5	350	10×16	420	10×20	513	12.5×20	607	12.5×25	685	16×25	861	—	—	—	—
1000	10×20	611	12.5×20	767	12.5×25	935	16×25	1120	16×31.5	1270	—	—	—	—	—	—
2200	12.5×25	1090	16×25	1380	16×31.5	1660	—	—	—	—	—	—	—	—	—	—
3300	16×25	1490	16×31.5	1760	—	—	—	—	—	—	—	—	—	—	—	—
4700	16×31.5	1880	18×35.5	2280	—	—	—	—	—	—	—	—	—	—	—	—

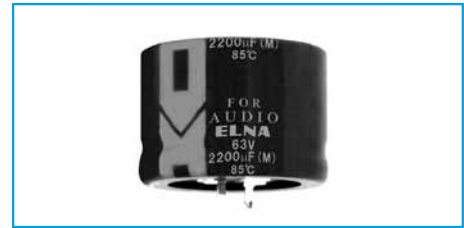
(Note) Rated ripple current : 85°C, 120Hz

NOTE : Design, Specifications are subject to change without notice. It is recommended that you shall obtain technical specifications from ELNA to ensure that the component is suitable for your use.

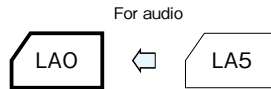
Power Supply Smoothing Use, Standard Capacitors for Audio

GREEN CAP For Audio

- Best suited as power supply filters for sound quality priority audio equipment.
- Printed circuit board terminal snap-in type.



Marking color : Gold print on a black sleeve



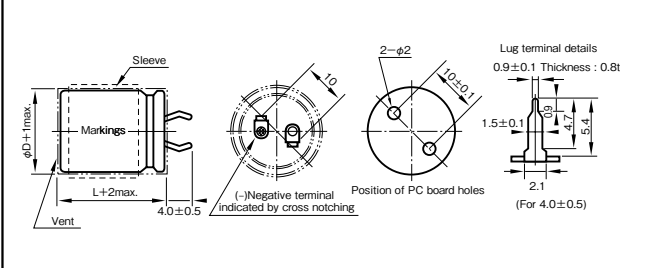
Specifications

Item	Performance				
Category temperature range (°C)	-40 to +85				
Tolerance at rated capacitance (%)	±20 (20°C, 120Hz)				
Leakage current (µA)	Less than 0.03CV or 5mA whichever is smaller (after 5 minutes) C : Rated capacitance (µF), V : Rated voltage (V) (20°C)				
Tangent of loss angle (tanδ)	Rated voltage (V)	16	25	35	50 to 100
	tanδ (max.)	0.40	0.40	0.35	0.30
Characteristics at high and low temperature	Rated voltage (V)	16 to 35	50 to 100		
	Impedance ratio (max.)	Z-25°C/Z+20°C	4	3	
		Z-40°C/Z+20°C	15	10	
Endurance (85°C) (Applied ripple current)	Test time	1000 hours			
	Leakage current	The initial specified value or less			
	Percentage of capacitance change	Within ±20% of initial value			
	Tangent of the loss angle	150% or less of the initial specified value			
Shelf life (85°C)	Test time : 1000 hours. Other have same as endurance. Voltage application treatment : According to JIS C5101 -1				
Applicable standards	JIS C5101-1, -4 1998 (IEC 60384-1 1992, -4 1985)				

Outline Drawing

Unit : mm

Printed circuit board snap-in type (Series LAO)



Coefficient of Frequency for Rated Ripple Current

Frequency (Hz)	50	120	1k	10k	20k
Rated voltage (V)					
16 to 50	0.95	1	1.10	1.15	1.15
63 to 100	0.95	1	1.16	1.30	1.33

Part numbering system (example : 63V6800µF)

LAO	—	63	V	682	M	S57	PX #	B
Series code		Rated voltage symbol		Rated capacitance symbol	Capacitance tolerance symbol	Casing symbol		Optional symbol

NOTE : Design, Specifications are subject to change without notice. It is recommended that you shall obtain technical specifications from ELNA to ensure that the component is suitable for your use.

Standard Ratings

Case φD×L (mm)		Rated voltage (V)		16		25		35		50		63		80		100	
		Item	Rated capacitance (μF)	Rated ripple current (Arms)	Rated capacitance (μF)	Rated ripple current (Arms)	Rated capacitance (μF)	Rated ripple current (Arms)	Rated capacitance (μF)	Rated ripple current (Arms)	Rated capacitance (μF)	Rated ripple current (Arms)	Rated capacitance (μF)	Rated ripple current (Arms)	Rated capacitance (μF)	Rated ripple current (Arms)	Rated capacitance (μF)
22×20	S21	3300	1.2	—	—	—	—	—	—	—	—	—	—	—	—	—	—
22×25	S22	4700	1.5	2200	1.0	1500	0.8	1000	0.8	680	0.7	—	—	—	—	—	—
22×30	S23	—	—	3300	1.3	2200	1.3	1500	1.1	1000	0.9	680	0.7	—	—	—	—
22×35	S24	6800	2.0	4700	1.7	3300	1.7	—	—	1500	1.2	1000	1.0	680	0.8	—	—
22×40	S25	—	—	—	—	—	—	2200	1.5	—	—	—	—	—	—	—	—
22×45	S26	10000	2.7	6800	2.2	4700	2.3	—	—	2200	1.6	—	—	—	—	—	—
22×50	S27	—	—	—	—	—	—	3300	2.0	—	—	1500	1.3	1000	1.2	—	—
25×25	S32	—	—	3300	1.7	2200	1.7	1500	1.4	1000	1.2	680	1.0	—	—	—	—
25×30	S33	6800	2.5	4700	2.1	3300	2.2	2200	1.8	1500	1.5	1000	1.2	680	1.1	—	—
25×35	S34	10000	3.2	—	—	—	—	—	—	—	—	—	—	—	—	—	—
25×40	S35	—	—	6800	2.7	4700	2.8	3300	2.3	2200	1.9	1500	1.6	1000	1.4	—	—
25×45	S36	—	—	—	—	—	—	—	—	—	—	—	—	—	—	—	—
25×50	S37	—	—	10000	3.0	6800	2.6	4700	2.4	3300	2.0	2200	2.0	1500	1.8	—	—
30×25	S42	6800	2.6	4700	2.2	3300	2.3	2200	1.9	1500	1.6	1000	1.3	680	1.1	—	—
30×30	S43	10000	3.3	6800	2.7	4700	2.8	3300	2.4	2200	1.9	1500	1.6	1000	1.4	—	—
30×35	S44	—	—	—	—	—	—	—	—	—	—	—	—	—	—	—	—
30×40	S45	—	—	10000	3.1	6800	2.7	4700	2.4	3300	2.1	2200	2.1	1500	1.8	—	—
30×45	S46	—	—	—	—	—	—	—	—	—	—	—	—	—	—	—	—
30×50	S47	—	—	—	—	10000	3.4	6800	3.1	4700	2.6	3300	2.2	2200	1.8	—	—
35×25	S52	10000	3.4	6800	2.8	4700	2.9	3300	2.4	2200	2.0	1500	1.7	1000	1.5	—	—
35×30	S53	—	—	10000	3.1	6800	2.7	4700	2.5	3300	2.1	2200	2.1	1500	1.8	—	—
35×35	S54	—	—	—	—	—	—	—	—	—	—	—	—	—	—	—	—
35×40	S55	—	—	—	—	10000	3.5	6800	3.1	4700	2.6	3300	2.2	2200	1.8	—	—
35×45	S56	—	—	—	—	—	—	—	—	—	—	—	—	—	—	—	—
35×50	S57	—	—	—	—	—	—	—	—	6800	3.3	4700	2.7	—	—	—	—

(Note) Rated ripple current : 85°C, 120Hz.

1 General Description of Aluminum Electrolytic Capacitors

1-1 The Principle of Capacitor

The principle of capacitor can be presented by the principle drawing as in Fig.1-1.

When a voltage is applied between the metal electrodes placed opposite on both surfaces of a dielectric, electric charge can be stored proportional to the voltage.

$$Q = C \cdot V$$

Q : Quantity of electricity (C)

V : Voltage (V)

C : Capacitance (F)

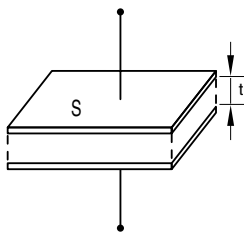


Fig.1-1

C, called the capacitance of capacitor, is expressed by the following expression with the electrode area S[m²], the electrode spacing t [m] and the dielectric constant of dielectric “ε”:

$$C[F] = \epsilon_0 \cdot \epsilon \cdot \frac{S}{t}$$

ε₀ : Dielectric constant in vacuum (=8.85×10⁻¹²F/m)

The dielectric constant of an aluminum oxide film is 7 to 8. Larger capacitances can be obtained by enlarging the electrode area S or reducing t.

Table 1-1 shows the dielectric constants of typical dielectrics used in the capacitor. In many cases, capacitor names are determined by the dielectric material used, for example, aluminum electrolytic capacitor, tantalum capacitor, etc.

Table 1

Dielectric	Dielectric Constant	Dielectric	Dielectric Constant
Aluminum oxide film	7 to 8	Porcelain (ceramic)	10 to 120
Mylar	3.2	Polystyrene	2.5
Mica	6 to 8	Tantalum oxide film	10 to 20

Although the aluminum electrolytic capacitor is small, it has a large capacitance. It is because the electrode area is roughened by electrochemical etching, enlarging the electrode area and also because the dielectric is very thin.

The schematic cross section of the aluminum electrolytic capacitor is as in Fig.1-2.

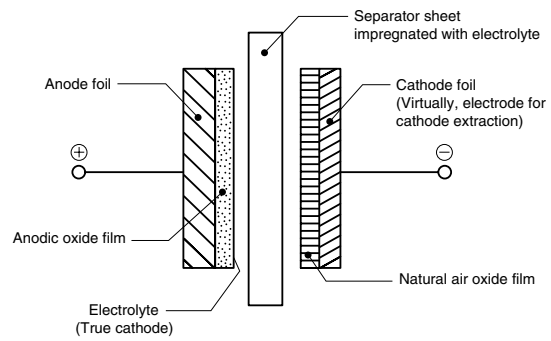
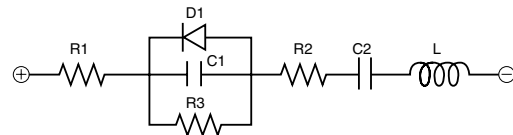


Fig.1-2

1-2 Equivalent Circuit of the Capacitor

The electrical equivalent circuit of the aluminum electrolytic capacitor is as presented in the following figure.



R1 : Resistance of terminal and electrode

R2 : Resistances of anodic oxide film and electrolyte

R3 : Insulation resistance because of defective anodic oxide film

D1 : Oxide semiconductor of anode foil

C1 : Capacity of anode foil

C2 : Capacity of cathode foil

L : Inductance caused by terminals, electrodes, etc.

2 About the Life of an Aluminum Electrolytic Capacitor

2-1 Estimation of life with minimal ripple current (negligible).

Generally, the life of an aluminum electrolytic capacitor is closely related with its ambient temperature and the life will be approximately the same as the one obtained by Arrhenius' equation.

$$L = L_0 \times 2^{\left(\frac{T_0 - T}{10}\right)} \dots \dots \dots (1)$$

Where L : Life at temperature T

L₀ : Life at temperature T₀

The effects to the life by derating of the applied voltage etc. are neglected because they are small compared to that by the temperature.

2-2 Estimation of life considering the ripple current.

The ripple current affects the life of a capacitor because the internal loss (ESR) generates heat. The generated heat will be :

$$P = I^2R \dots\dots\dots(2)$$

Where I : Ripple current (Arms)

R : ESR (Ω)

With increase in the temperature of the capacitor:

$$\Delta T = \frac{I^2 \times R}{A \times H} \dots\dots\dots(3)$$

Where ΔT : Temperature increase in the capacitor core(deg.)

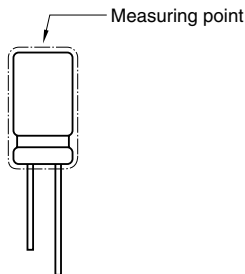
I : Ripple current (Arms)

R : ESR (Ω)

A : Surface area of the capacitor (cm²)

H : Radiation coefficient (Approx. 1.5 to 2.0 × 10⁻³W/cm²×°C)

The above equation (3) shows that the temperature of a capacitor increases in proportion to the square of the applied ripple current and ESR, and in inverse proportion to the surface area. Therefore, the amount of the ripple current determines the heat generation, which affects the life. The value of ΔT varies depending on the capacitor types and operating conditions. The usage is generally desirable if ΔT remains less than 5°C. The measuring point for temperature increase due to ripple current is shown below ;



Test results:

(1) The life equation considering the ambient temperature and the ripple current will be :

$$L = L_d \times 2 \left(\frac{T_0 - T}{10} \right) \times K \left(\frac{-\Delta T}{10} \right) \dots\dots\dots(4)$$

Where L_d : Life at DC operation (h)

K : Ripple acceleration factor

(K=2, within allowable ripple current)

(K=4, if exceeding allowable ripple current)

T₀ : Upper category temperature (°C)

T : Operating temperature (°C)

ΔT : Temperature increase at capacitor core (deg.)

(2) The life equation based on the life with the rated ripple current applied under the maximum guaranteed temperature will be a conversion of the above equation (4), as below :

$$L = L_r \times 2 \left(\frac{T_0 - T}{10} \right) \times K \left(\frac{\Delta T_0 - \Delta T}{10} \right) \dots\dots\dots(5)$$

Where L_r : Life at the upper category temperature with the rated ripple current (h)

ΔT₀ : Temperature increase at capacitor core, at the upper category temperature (deg.)

(3) The life equation considering the ambient temperature and the ripple current will be a conversion of the above equation (5), as below :

$$L = L_r \times 2 \left(\frac{T_0 - T}{10} \right) \times K \left\{ 1 - \left(\frac{I}{I_0} \right)^2 \right\} \times \frac{\Delta T_0}{10} \dots\dots\dots(6)$$

Where I₀ : Rated ripple current at the upper category temperature (Arms)

I : Applied ripple current (Arms)

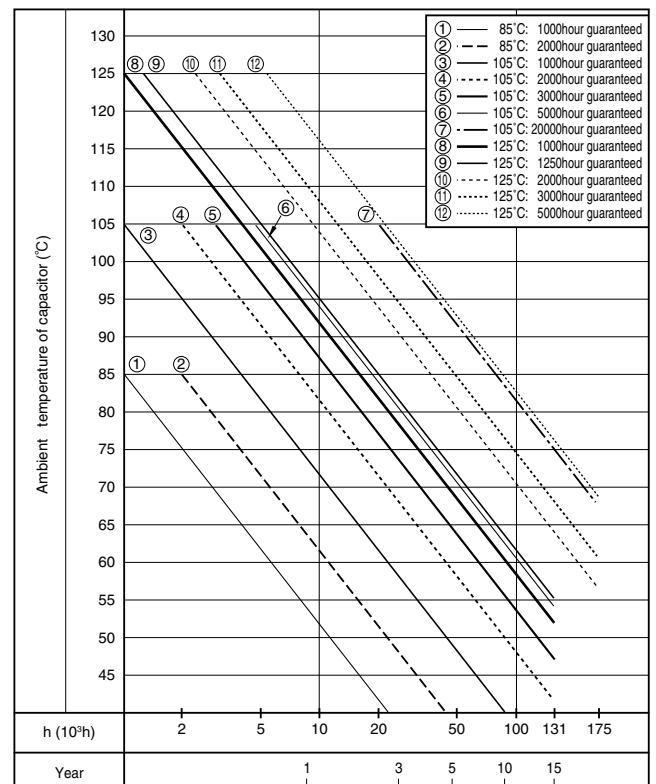
Since it is actually difficult to measure the temperature increase at the capacitor core, the following table is provided for conversion from the surface temperature increase to the core temperature increase.

Table 2-1

Case diameter	~10	12.5~16	18	22	25	30	35
Core / Surface	1.1	1.2	1.25	1.3	1.4	1.6	1.65

The life expectancy formula shall in principle be applied to the temperature range between the ambient temperature of +40°C and upper category temperature. The expected life time shall be about fifteen years at maximum as a guide in terms of deterioration of the sealant.

(Fig. 2-1 Life Expectancy Chart)



NOTE : Design, Specifications are subject to change without notice. It is recommended that you shall obtain technical specifications from ELNA to ensure that the component is suitable for your use.

2-3 Practical Examples of Life Expectancy

As practical examples of life expectancy, we introduce 250V 560 μF in the LAT Series considering the effect of high-frequency component. Figures 2-2 to 2-4 show the simulated ripple current waveforms when the high-frequency component for switching is superimposed on the commercial frequency component.

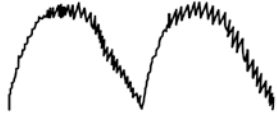


Fig.2-2 Ripple Current Waveform of Capacitor

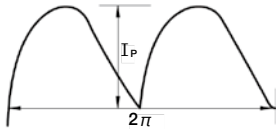


Fig.2-3 Low-frequency component

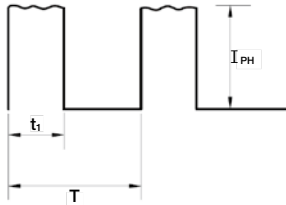


Fig.2-4 High-frequency component

Each of the above may be obtained as the effective ripple current value. Assuming that the ripple current waveform of the low-frequency component is generally approximated to the full-wave rectification waveform as shown in Fig.2-3, we obtain the effective ripple current value I_L as follows:

$$I_L = \frac{I_{PL}}{\sqrt{2}} = 0.707 \times I_{PL}$$

Since the ripple current waveform of the high-frequency component is approximated to the rectangular as shown in Fig.2-4, the effective current value of high-frequency component I_H is given by

$$I_H = \sqrt{\frac{1}{T} \int_0^{t_1} I_{PH}^2 dt} = I_{PH} \sqrt{\frac{t_1}{T}}$$

The reason why the ripple current affects the life is due to the heat generated by the ESR (R) of capacitor.

That is, ΔT by heat generation can be expressed by

$$\Delta T \propto I^2 \times R \text{ from Expression (2).}$$

Therefore, when ripple currents with different frequencies are handled, each current value must first be squared and then summed. That is:

$$I = \sqrt{(I_L)^2 + (I_H)^2}$$

Now, we proceed to specific examples assuming that the effective ripple current values of low-and high-frequencies have been obtained by the above methods.

Data A (Test piece and basic data)

Product name	: 250V 560 μF φ 30x30 L, Series LAT
L_r	= 2000 hours
K	= 4
T_0	= 105°C
ΔT_0	= 5deg
I_0	= 1.79Arms at 105°C, 120Hz

To verify the effect of the high-frequency component, the expected life will be calculated for each of three high-frequency ripple current conditions.

Data B

I_L	= 2.4Arms at 120Hz, $T=45^\circ\text{C}$
I_{H1}	= 0.36Arms at 20kHz (corresponding to 15% of the commercial frequency component)
I_{H2}	= 0.72Arms at 20kHz (corresponding to 30% of the commercial frequency component)
I_{H3}	= 1.2Arms at 20kHz (corresponding to 50% of the commercial frequency component)

For Data B, the currents are converted to 120Hz by the frequency conversion factor for the cases of ignorance of the high-frequency component, and each high-frequency component condition.

$$I = 2.4/1 = 2.4A$$

$$I_1 = \sqrt{(2.4)^2 + (0.36/1.18)^2} \doteq 2.42A$$

$$I_2 = \sqrt{(2.4)^2 + (0.72/1.18)^2} \doteq 2.48A$$

$$I_3 = \sqrt{(2.4)^2 + (1.2/1.18)^2} \doteq 2.61A$$

Explained here is about the frequency conversion factor. As described above, the heat generation (or temperature rise = ΔT) affecting the life is proportional to the ESR of capacitor. In addition, the fundamental frequency is 120Hz in measurement of capacitor characteristics, and the ripple current is also specified with this frequency; it is thus more convenient to calculate by converting the current value to that with the same temperature rise at 120Hz.

The ESR of aluminum electrolytic capacitor is frequency dependent.

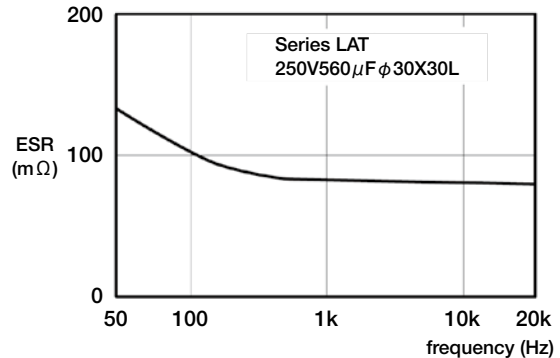


Fig.2-5 Frequency Characteristics of ESR

Figure 2-5 shows a typical example of frequency characteristics of ESR, indicating that the ESR decreases with increasing frequencies. Therefore, the high-frequency component has less effect on the heat generation of capacitor than low-frequency component.

Next, we calculate the expected life according to each condition to compare with the case with no high-frequency component.

For the case with no high-frequency component:

$$L = 2000 \times 2 \left(\frac{105-45}{10} \right) \times 2 \left[1 - \left(\frac{2.4}{1.79} \right)^2 \right] \times \frac{5}{10} \doteq 73,634 \text{ hours}$$

For the case with high-frequency component:

$$L = 2000 \times 2 \left(\frac{105-45}{10} \right) \times 2 \left[1 - \left(\frac{2.42}{1.79} \right)^2 \right] \times \frac{5}{10} \doteq 72,114 \text{ hours}$$

72,114/73,634=0.979, about a 2.1% reduction in life

$$L = 2000 \times 2 \left(\frac{105-45}{10} \right) \times 2 \left[1 - \left(\frac{2.48}{1.79} \right)^2 \right] \times \frac{5}{10} \doteq 67,671 \text{ hours}$$

67,671/73,634=0.919, about a 8.1% reduction in life

$$L = 2000 \times 2 \left(\frac{105-45}{10} \right) \times 2 \left[1 - \left(\frac{2.61}{1.79} \right)^2 \right] \times \frac{5}{10} \doteq 58,045 \text{ hours}$$

58,045/73,634=0.796, about a 20.4% reduction in life

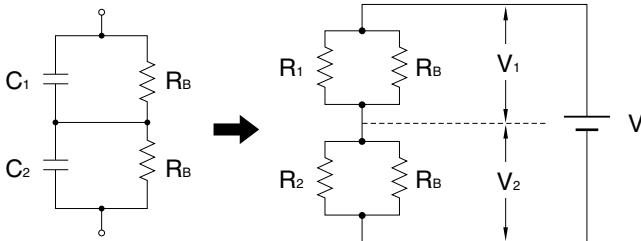
As described above, there may be cases where the effect of larger high-frequency component on the life cannot be ignored; thus high-frequency component exceeding 30% with respect to the current with fundamental frequency should be considered.

NOTE : Design, Specifications are subject to change without notice. It is recommended that you shall obtain technical specifications from ELNA to ensure that the component is suitable for your use.

3 To calculate Balance when connecting in series

3-1 Circuit layout

Circuit for connecting two capacitors (C1, C2) in series and equivalent circuit can be illustrated as below figure. Formula to calculate a balance resistance R_B of below figure is shown as follows.



Following are the preconditions of the circuit.

- ① V_2 shall be the rated voltage ($=V_0$). ($V_1 < V_2$)
- ② V shall be a times $V_0 \times 2$. $V = 2aV_0$ ($a < 1$)
- ③ R_2 shall equal $R_1 \times b$. ($b < 1$) (1)

3-2 Formulas to calculate [R_B]

3-2-1 Following formula can be established from balanced condition.

$$V_1 \left[\frac{1}{R_1} + \frac{1}{R_B} \right] = V_2 \left[\frac{1}{R_2} + \frac{1}{R_B} \right] \quad (2)$$

3-2-2 Following formula can be established from preconditions.

$$V_2 \leq V_0 \quad (3)$$

$$V_1 = V - V_2 \quad (4)$$

$$= 2aV_0 - V_2 \quad (4')$$

3-2-3 Put formulas (1), (3) and (4') in formula (2).

$$(2aV_0 - V_2) \left[\frac{R_1 + R_B}{R_1 \times R_B} \right] = V_2 \left[\frac{bR_1 + R_B}{bR_1 \times R_B} \right]$$

$$2abV_0(R_1 + R_B) = V_2 \{b(R_1 + R_B) + bR_1 + R_B\}$$

$$2ab(R_1 + R_B) \leq 2bR_1 + (1 + b)R_B$$

Accordingly, balance resistance R shall be the following formula.

$$R_B \leq 2bR_1 \frac{(1-a)}{(2a-1) \times b-1} \quad (5)$$

3-3 Calculation Example

Calculate the value of the balance resistance in the case of connecting two 400V 470 μ F (LC standard value : 1.88mA) capacitors in series.

$$R_1 = \frac{400(V)}{1.88(mA)} = 213(k\Omega)$$

If $a=0.8$, $400(V) \times 2 \times 0.8 = 640(V)$ as an impressed voltage.

If $b=2$, $R_2 = b R_1 = 426(k\Omega)$, $LC=0.94(mA)$.

Balance resistance R_B will be.

$$R_B \leq 2 \times 2 \times 213(k\Omega) \frac{(1-0.8)}{(2 \times 0.8) \times 2 - 1} = 852(k\Omega)$$

4 Regarding Recovery Voltage

- After charging and then discharging the aluminum electrolytic capacitor, and further causing short-circuit to the terminals and leave them alone, the voltage between the two terminals will rise again after some interval. Voltage caused in such case is called recovery voltage. Following is the process that causes this phenomenon :

- When the voltage is impressed on a dielectric, electrical transformation will be caused inside the dielectric due to dielectric action, and electrification will occur in positive-negative opposite to the voltage impressed on the surface of the dielectric. This phenomenon is called polarization action.

- After the voltage is impressed with this polarization action, and if the terminals are discharged till the terminal voltage reaches 0 and are left open for a while, an electric potential will arise between the two terminals and thus causes recovery voltage.

- Recovery voltage comes to a peak around 10 to 20 days after the two terminals are left open, and then gradually declines. Recovery voltage has a tendency to become bigger as the component (stand-alone base type) becomes bigger.

- If the two terminals are short-circuited after the recovery voltage is generated, a spark may scare the workers working in the assembly line, and may put low-voltage driven components (CPU, memory, etc.) in danger of being destroyed. Measures to prevent this is to discharge the accumulated electric charge with resistor of about 100 to 1k Ω before using, or ship out by making the terminals in short-circuit condition by covering them with an aluminum foil at the production stage. Please consult us for adequate procedures.

5 Electrode Foil Development Technology

5-1 Corrosion inhibition of cathode foil

Inactive treatment is implemented to ensure long life by inhibiting natural corrosion of the cathode foil. Fig. 3-1 shows its effects with values of the polarization resistance inversely proportional to the corrosion rate using the AC impedance method (FRA). This indicates that the cathode foil used in the High reliability capacitors has the polarization resistance higher than that of the conventional capacitors owing to corrosion inhibition.

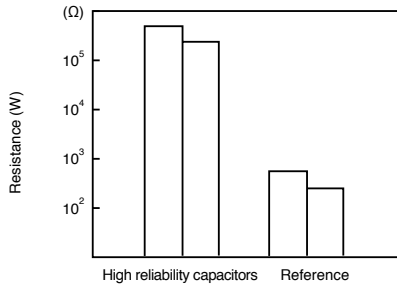


Fig. 3-1

5-2 Sealing material permeability of electrolyte

To ensure long life, a low permeable lactone solvent for the sealing material is used as the main solvent of the electrolyte of the High reliability capacitor. Fig. 3-2 shows the test results on the permeability obtained by changing the weight of the capacitors produced with different types of electrolytes at a high temperature.

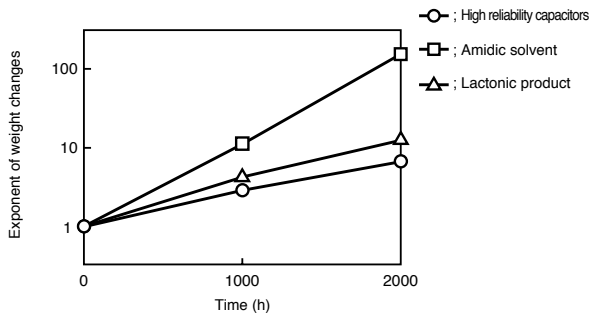


Fig. 3-2

5-3 Airtightness of sealing material

Since the electrolyte is stable for hours, the key element for capacitor's life is the sealing material. By optimizing the crosslinking density of the sealing material polymer, the sealing material of the High reliability capacitor attains its long life with electrolyte permeability less than that of the conventional capacitors.

Fig. 3-3 shows the test results on the airtightness of the sealing material obtained by changing the weight of the capacitors at a high temperature, producing capacitors with the conventional sealing material and improved one both containing the electrolyte used in the High reliability capacitor.

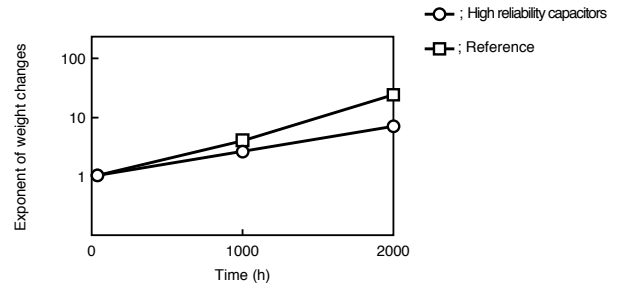


Fig. 3-3

5-4 Long-time stability of electrolyte

The electrolyte used in the High reliability capacitor is stable with low initial resistivity and small secular changes at a high temperature. Fig. 3-4 shows change in resistivity at 105°C.

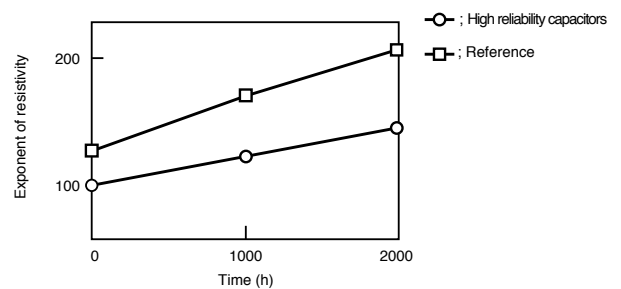


Fig. 3-4

5-5 Dielectric formation voltage and leakage current characteristics of anode foil

To increase the operating life by controlling the gas generation inside capacitor because of 1.5 to 2 times the rated voltage, while that of the previous capacitor is about 1.3 times the rated voltage.

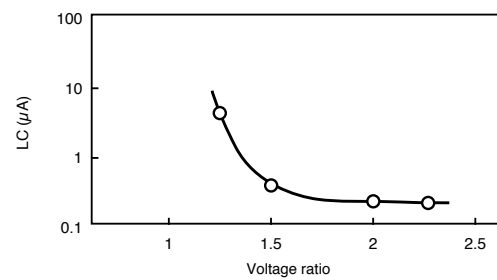


Fig. 3-5

5-6 Lowered ESR of Electrode Foil

To reduce the ESR of electrolytic capacitor, we have improved our chemical conversion technology for anode foil to develop lower ESR electrode foil compared to the conventional product as shown in Fig. 3-6

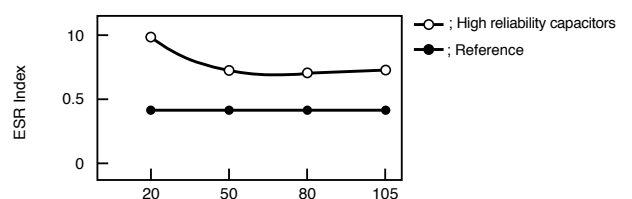
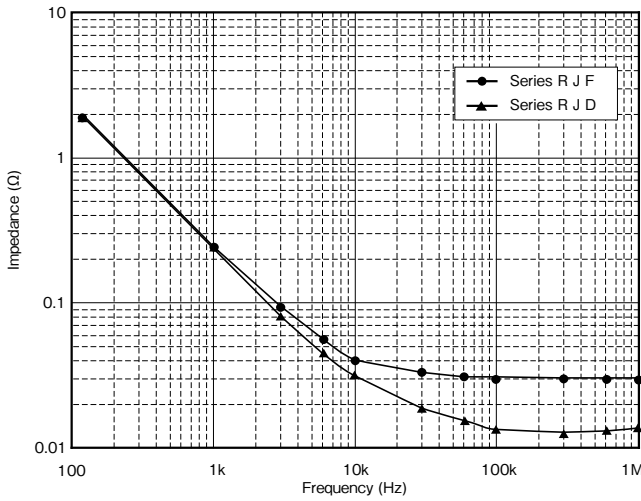


Fig. 3-6 ESR Index of Anode Foil

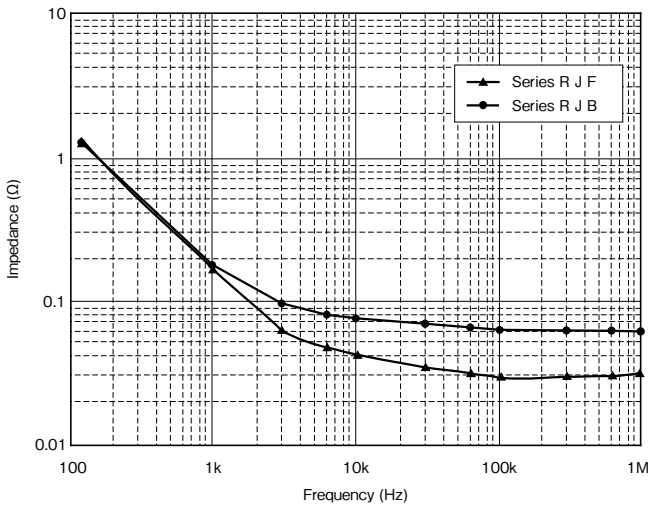
6. Electric Characteristics Data

6-1 Series RJF, RJB, RJD

Frequency characteristics at 20°C

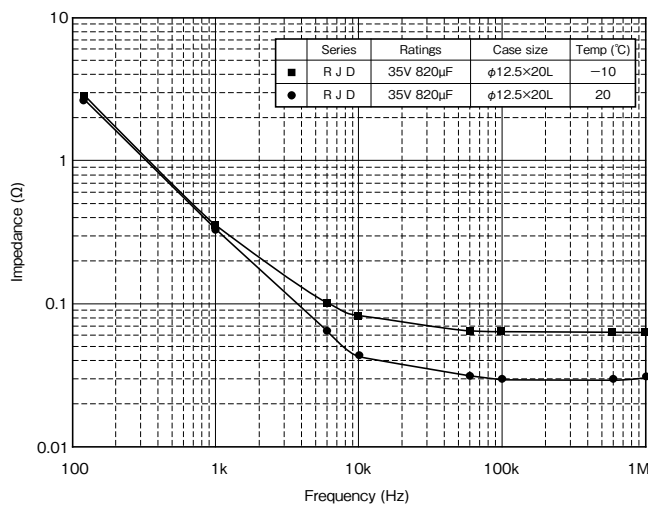


Performance \ Series	R J F	R J D
Rated Voltage	35V	35V
Capacitance	680μF	680μF
Size (φ×L)	12.5×20	12.5×20
Impedance Spec. (20°C, 100kHz)	0.017Ω	0.038Ω



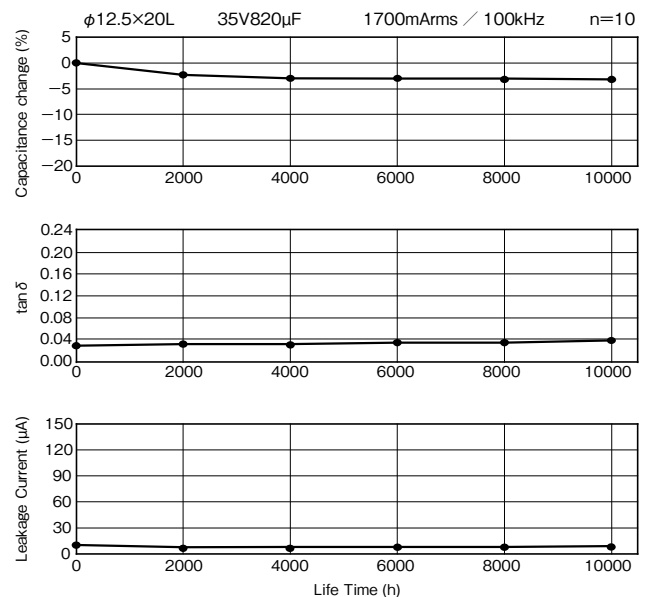
Performance \ Series	R J F	R J B
Rated Voltage	10V	10V
Capacitance	1000μF	1000μF
Size (φ×L)	10×16	10×16
Impedance Spec. (20°C, 100kHz)	0.038Ω	0.080Ω

Frequency characteristics at 20°C, -10°C



Endurance (Applied ripple current) at 105°C

Series R J D

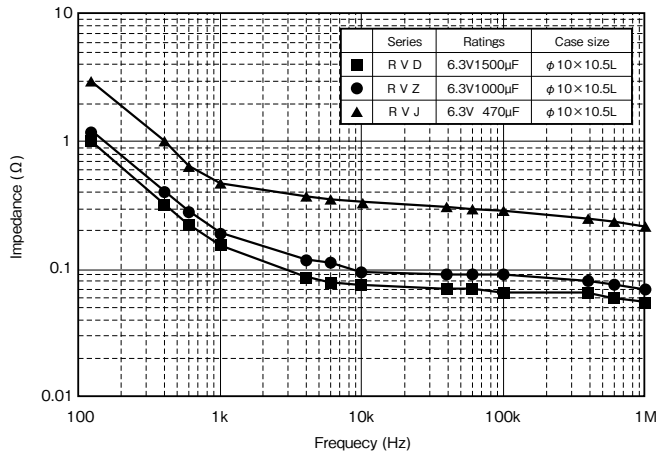


Notice : The measurement values are not guaranteed values, but measurements.

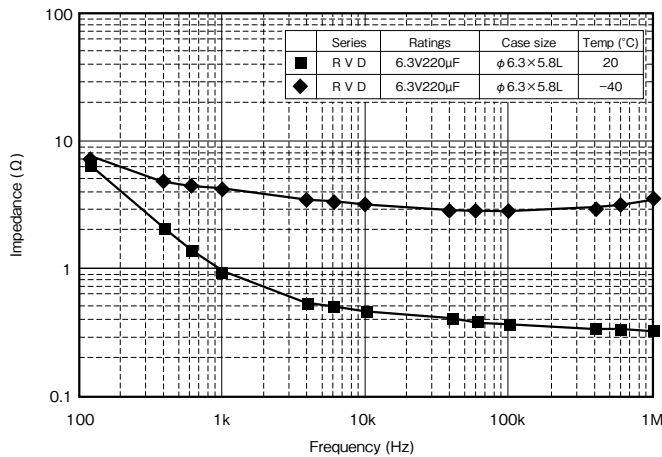
NOTE : Design, Specifications are subject to change without notice. It is recommended that you shall obtain technical specifications from ELNA to ensure that the component is suitable for your use.

6-2 Series RVD

Frequency characteristics at 20°C

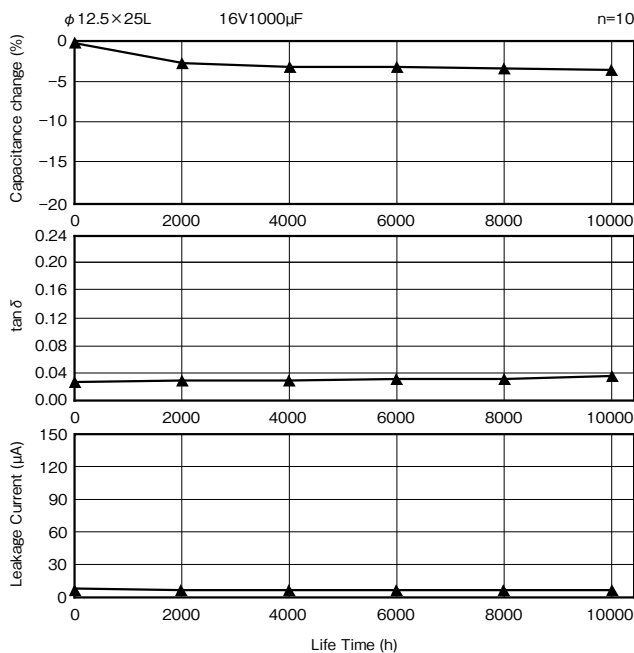


Frequency characteristics at 20°C, -40°C

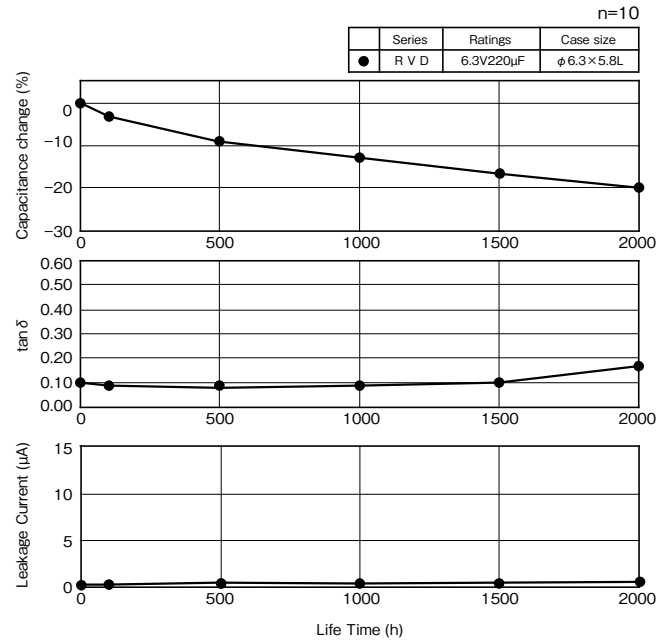


6-3 Series RKD

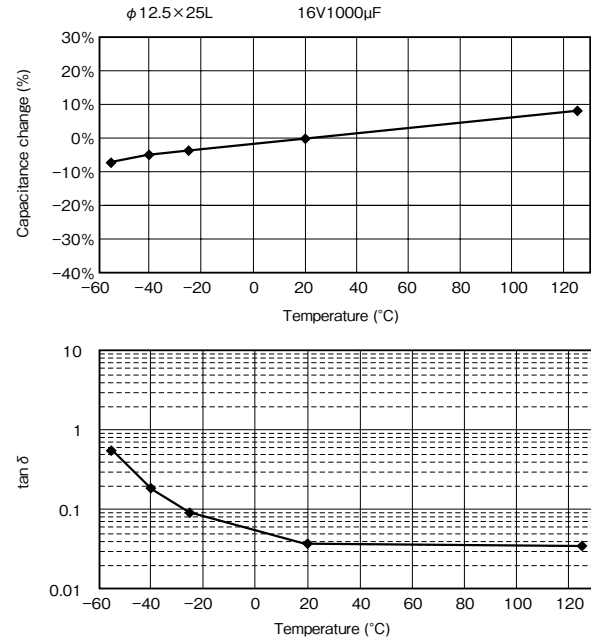
Endurance (Applied ripple current) at 125°C



Endurance (Applied ripple current) at 105°C



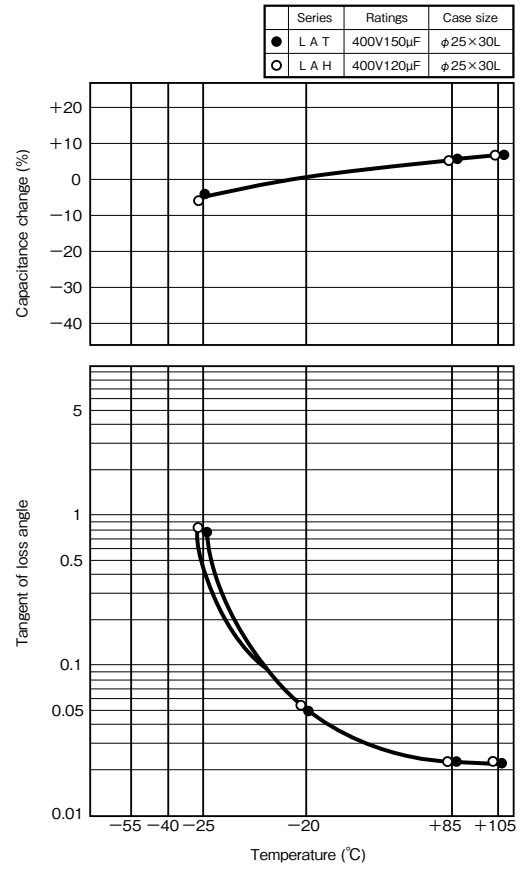
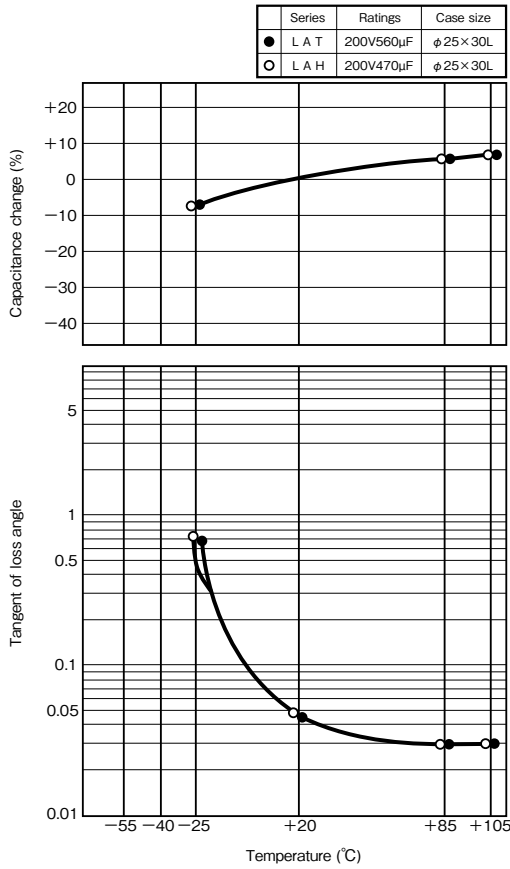
Temperature Characteristics



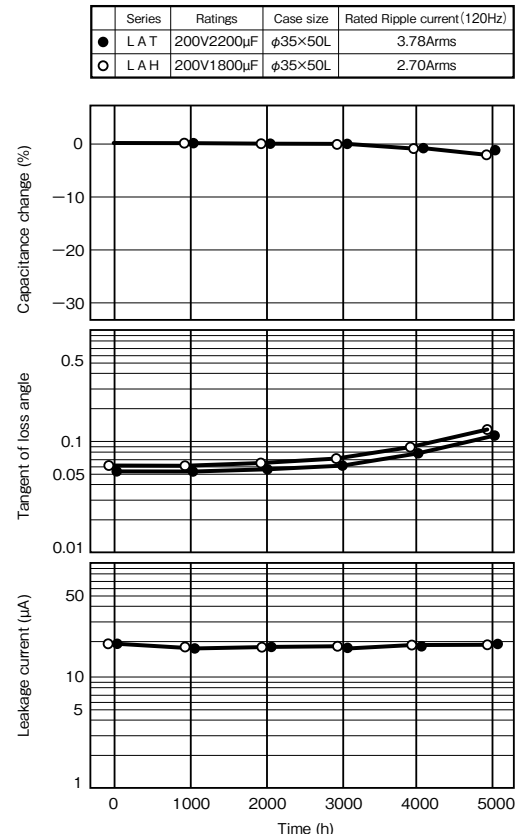
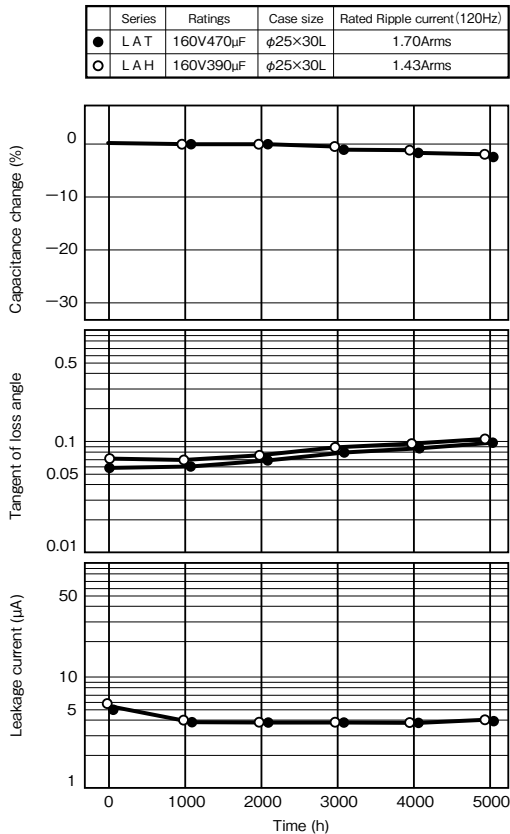
Notice : The measurement values are not guaranteed values, but measurements.

6-4 Series LAT • LAH

Temperature characteristics, Series LAT • LAH



Endurance (Applied ripple current) at 105°C of Series LAT • LAH

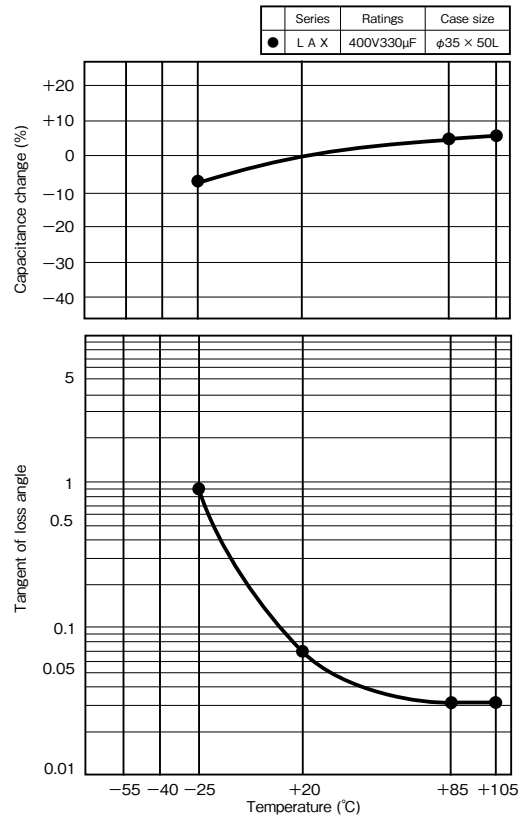
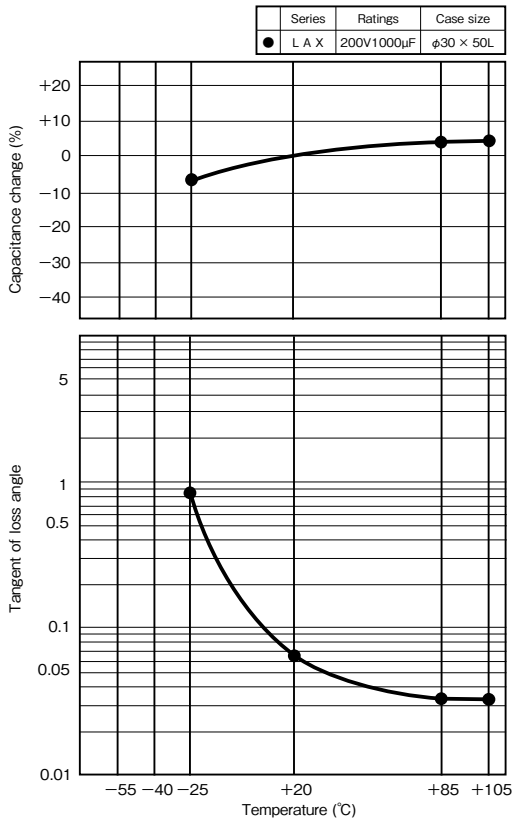


Notice : The measurement values are not guaranteed values, but measurements.

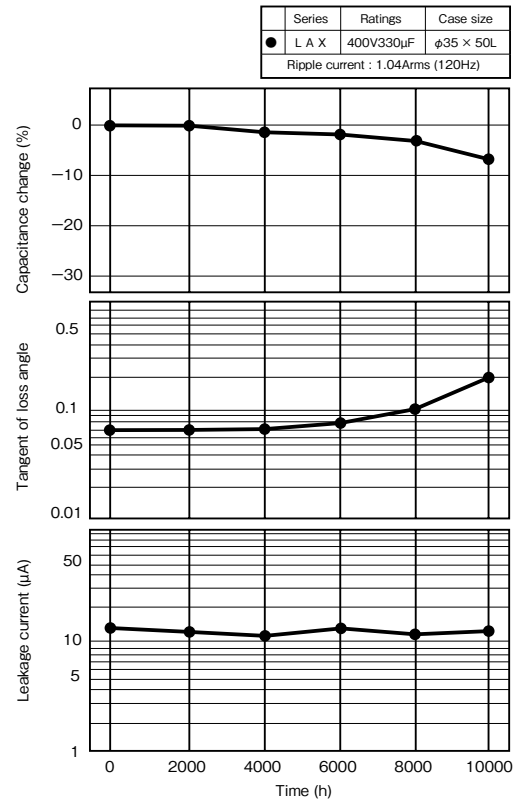
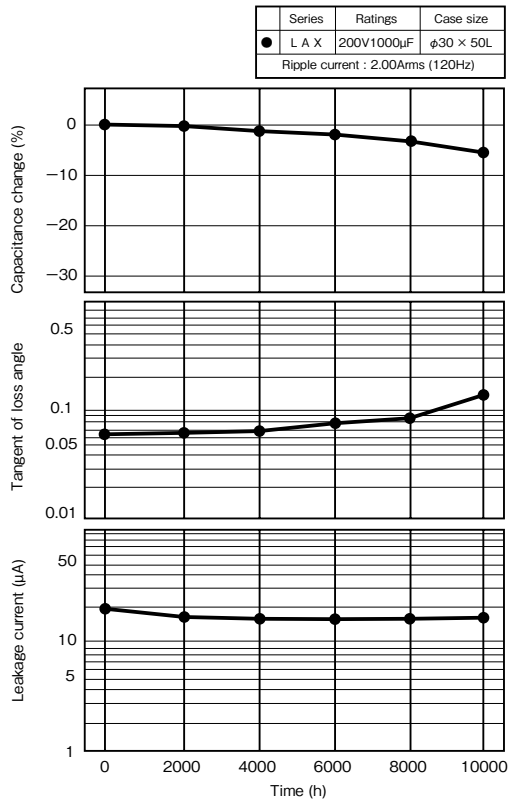
NOTE : Design, Specifications are subject to change without notice. It is recommended that you shall obtain technical specifications from ELNA to ensure that the component is suitable for your use.

6-5 Series LAX

Temperature characteristics, Series LAX



Endurance (Applied ripple current) at 105°C of Series LAX



Notice : The measurement values are not guaranteed values, but measurements.

ELNA®

Electric Double Layer Capacitors “DYNACAP”, “POWERCAP”

List of Contents

1. Type List and Systematized Classification for Electric Double Layer Capacitors	188
2. Taping	192
3. Cautions for Using Electric Double Layer Capacitors	194
4. Specifications for Electric Double Layer Capacitors by Series	196
5. Technical Note for Electric Double Layer Capacitors	221
6. Presentation of Series and Parallel Connection Pack	224
7. Technical data for Electric Double Layer Capacitors	225



■ Type List for DYNACAP

★ : New series
☆ : Upgrade

Category	Series	Category temp. range °C		Max. operating voltage V.DC	Capacitance range F	Color of sleeve	Page	Applications	Remarks	
		Max.	Min.							
For memory backup	Reflow soldering type	DVN	+70	-25	5.5	0.047 to 0.33	Brown	196	Ideal for backing up of RTC' s, momentary backup of a battery etc.	☆
	Reflow soldering type	DVL	+85	-40	5.5	0.047 to 0.22	Brown	197		
	Standard type	DB	+70	-25	5.5	0.047 to 1.5	Indigo	198	Ideal for backing up of CMOS IC' s, microcomputers, RAM' s, RTC' s and the like used in VIDEO' s, tuners, TV sets, telephone sets, DVD and others.	
	Low profile Low ESR type	DBN	+70	-25	5.5	0.047 to 1.5	Indigo	198		
	Low profile High temperature type	DBJ	+85	-10	5.5	0.047 to 1	Black	199		
	Low profile Low ESR High temperature type	DBS	+85	-25	3.6	0.047 to 1	Black	200		
	Miniaturized Standard type	DX	+70	-25	5.5	0.047 to 1.5	Indigo	201		
	Miniaturized Low ESR type	DXN	+70	-25	5.5	0.047 to 1.5	Indigo	202	Ideal for backing up of CMOS IC' s, microcom-puters, RAM' s, RTC' s and the like used in VIDEO' s, tuners, TV sets, telephone sets, DVD, pager units, cameras, personal wireless items and others.	
	Miniaturized High temperature type	DXJ	+85	-10	5.5	0.047 to 1	Black	203		
	Miniaturized Low ESR High temperature type	DXS	+85	-25	3.6	0.047 to 1	Black	204		
	High voltage tolerance type	DK	+70	-25	6.3	0.047 to 1	Indigo	205	Ideal for backing up of Li-battery backed equipment such as cameras, VIDEO's and telephone.	
	High temperature type	DH	+85	-25	5.5	0.047 to 1	Indigo	206	Ideal for backing up of controls, electronic rice cooking jars, home bakeries and others.	
	Wide temperature range type	DHL	+85	-40	5.5	0.047 to 1	Indigo	207	Ideal for backing up of CMOS IC' s, microcomputers, RAM' s, RTC' s for smart meter, outdoor equipment, auto motive and industrial.	
	High temperature long life type	DHC	+85	-25	5.5	0.047 to 1	Black	208		
	Coin type	DC (614)	+70	-25	2.5	0.2	Silver	209	Ideal for backing up of pager, solar watches, solar calculators, solar remote control units, camaras and the like.	
DCK (614)		+60	-10	3.3	0.2					
DC (621)		+70	-25	2.5	0.4					
DCK (621)		+60	-10	3.3	0.4					
Reflow soldering Coin type	DSK (414)	+70	-10	3.3	0.07	Silver	210	Mountable on board with best suited for mainly memory and time functions as well as memory backup for PDA and DSC.		
	DS (614)	+70	-25	2.5	0.2					
	DSK (614)	+60	-10	3.3	0.2				211	
	DS (621)	+70	-25	2.5	0.33					
	DSK (621)	+60	-10	3.3	0.33					
For power	Standard type	DZ	+70	-25	2.5 / 2.7	1 to 200	Black	212	Ideal for power supplies of LED displays, personal wireless items, backup for power supplies, and the storage battery of solar battery.	☆
	Large capacitance type	DZH	+60	-25	2.5	22 to 300	Black			☆
	High power type	DZN	+70	-25	2.5 / 2.7	1 to 200	Blue	214	Ideal for actuator of moters and electromagnetic coil drives.	☆
	High power Low temperature type	DU	+65	-40	2.7	1 to 33	Brown	216	Ideal for actuator of moters and electromagnetic coil drives.	★
	Low temperature type	DY	+70	-40	2.5	1 to 40	Brown	217	Ideal for power supplies of LED displays, personal wireless items, backup for power supplies, and the storage battery of solar battery.	☆
	Packed type	DZP	+70	-25	5.0	0.47 to 4.7	Blue	218		☆

■ Type List for POWERCAP

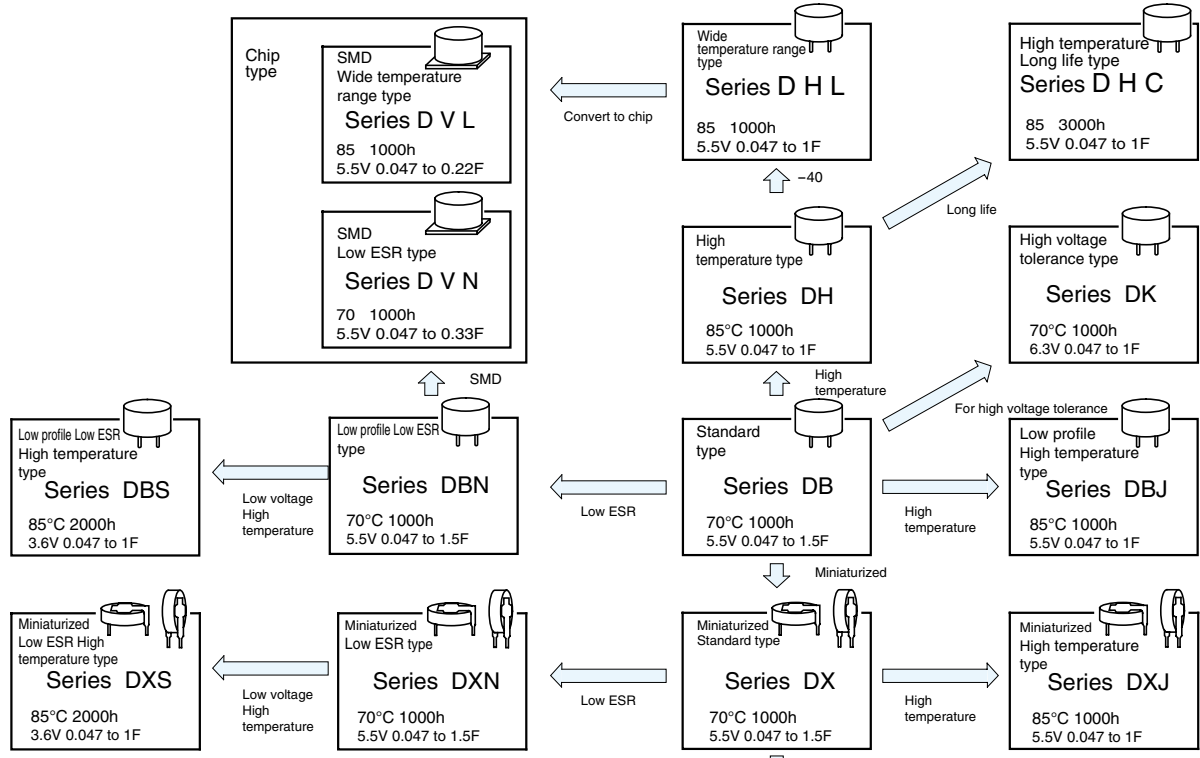
Category	Series	Category temp. range °C		Max. operating voltage V.DC	Capacitance range F	Color of sleeve	Page	Applications	Remarks	
		Max.	Min.							
For energy	Large capacitance High power type	DW	+65	-40	2.7	3000	Black	219	Ideal for boost charge, such as energy regeneration, and a large current discharge use.	★
	Large capacitance type	DP	+60	-25	2.5	500 to 1500	Black	220	Ideal for power supplies of LED displays, backup for power supplies, the storage battery of solar battery, and actuator of moters and electromagnetic coil drives.	

NOTE : Design, Specifications are subject to change without notice. It is recommended that you shall obtain technical specifications from ELNA to ensure that the component is suitable for your use.

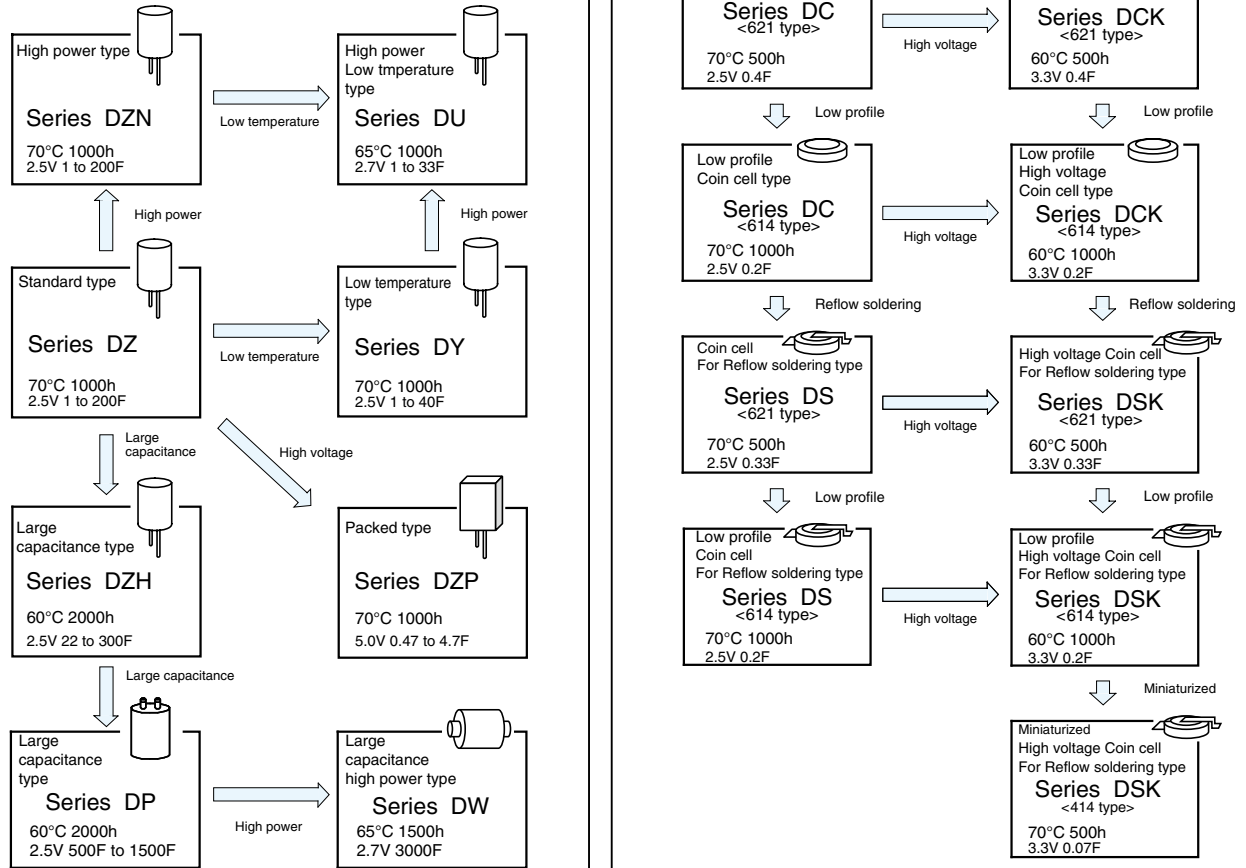
Systematized Classification of Electric Double Layer Capacitors

DYNACAP & POWERCAP

For memory backup

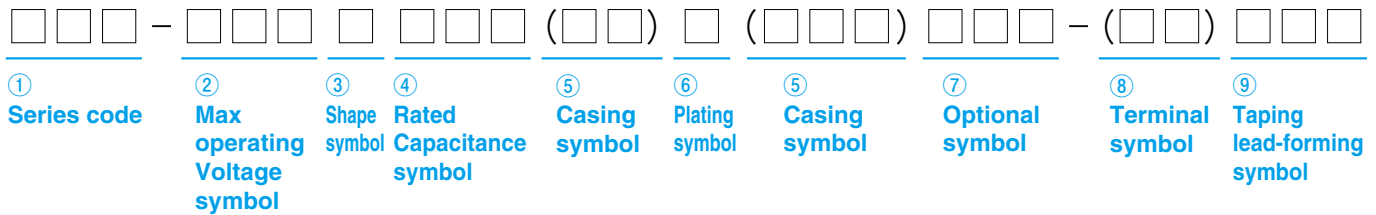


For power & energy



NOTE : Design, Specifications are subject to change without notice. It is recommended that you shall obtain technical specifications from ELNA to ensure that the component is suitable for your use.

■ Product Symbol System for Electric Double Layer Capacitors



① Series code

Please refer to the page of each series.

② Max operating voltage symbol

Example

Max. operating voltage (V)	Voltage symbol
2.5	2R5
2.7	2R7
3.3	3R3
3.6	3R6
5.0	5
5.5	5R5
6.3	6R3

③ Shape symbol

Please refer to the page of each series.

④ Rated capacitance symbol

Example

Capacitance (F)	Capacitance symbol	Capacitance (F)	Capacitance symbol
0.047	473	10	106
0.07	703	15	156
0.1	104	20	206
0.2	204	22	226
0.22	224	25	256
0.33	334	30	306
0.4	404	33	336
0.47	474	40	406
0.68	684	50	506
0.9	904	100	107
1	105	200	207
1.5	155	300	307
2.7	275	500	507
3.3	335	600	607
4.7	475	1200	128
5.6	565	1500	158
6.8	685	3000	308

⑤ Casing symbol

Please refer to the page of each series.

⑥ Plating symbol

Example

Symbol	Contents
U	Sn 100% plating (coin cell)
T	Sn 100% plating

⑦ Optional symbol

Example

Symbol	Contents
Q	Based on AEC-Q200
M	Based on AEC-Q200

⑧ Terminal symbol

Please refer to the page of each series.

⑨ Taping, Lead-forming symbol

DZ,DZH,DZN,DY,DU : Write down one of the forming symbols given on page 14 to 17 for taping and lead-forming capacitors.

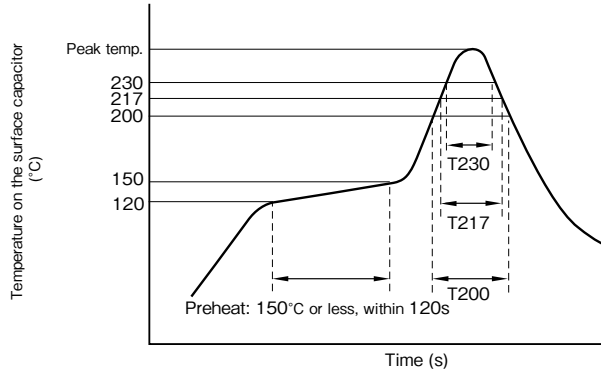
DVN,DVL,DSK : Write down one of the forming symbols given on page 192 for taping capacitors.

When taping or lead-forming is not necessary, leave the boxes blank.

■ Recommended soldering method (series DS, DSK, DVN, DVL)

Reflow soldering conditions.

Profile



T200 : Duration while capacitor head temperature exceeds 200°C (s)
 T217 : Duration while capacitor head temperature exceeds 217°C (s)
 T230 : Duration while capacitor head temperature exceeds 230°C (s)
 The measurement temperature point is the case top

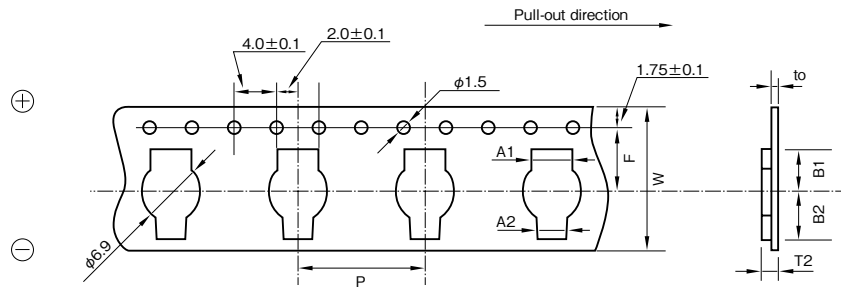
Series	Size	Peak temp. (5s Max)	T230	T217	T200	Times
DS DSK	φ4.8 to φ6.8	250°C Max	Within 20s	Within 30s	Within 40s	2 Max
DVN DVL	φ12.5	260°C Max	Within 20s	Within 30s	Within 50s	2 Max

Attention : Carry out soldering work at low temperature and in the shortest time within above conditions.
 Do NOT reflow solder, when cell voltage is above 0.3V.

*Please consult with us about reflow soldering conditions other than the above.

Taping

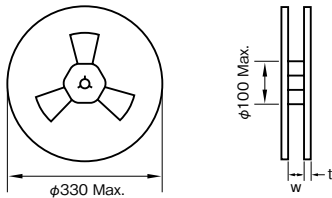
Carrier tape dimensions (Series DS, DSK) polarity L



(Unit : mm)

Outside size	W	P	F	A1	A2	B1	B2	T2	to	φD
φ6.8×1.4 to 2.1L	24±0.2	12.0	11.5	4.4	3.4	5.9	6.5	3.2	0.3	6.9
φ4.8×1.4L (Terminal shaped : HL)	16±0.2	8.0	7.5	2.4	3.6	5.0	5.1	2.45	0.3	4.9
φ4.8×1.4L (Terminal shaped : HR)	↑	↑	↑	3.6	2.4	5.1	5.0	↑	↑	↑

Reel dimensions



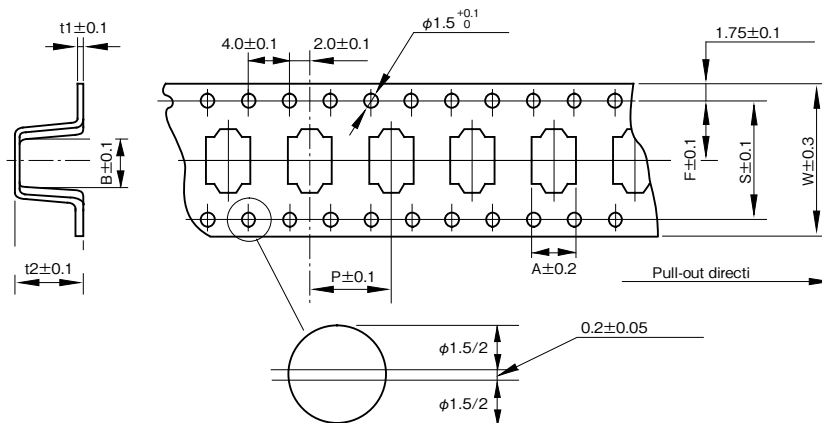
(Unit : mm)

Outside size	W	t
φ6.8×1.4 to 2.1L	26	3
φ4.8×1.4L	18	3

Packing quantity

Outside size	Quantity
φ6.8×2.1L	1500PCS.
φ6.8×1.4L	1500PCS. to 2000PCS.
φ4.8×1.4L	2000PCS.

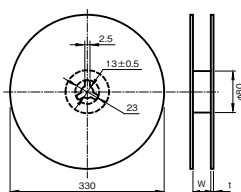
Carrier tape dimensions (Series DVN, DVL) polarity R



(Unit : mm)

Outside size	W	A	B	P	t2	F	t1	S
φ12.5×10.5L	32	13.4	13.4	24	11	14.2	0.5	28.4
φ12.5× 8.5L	32	13.4	13.4	24	9.5	14.2	0.5	28.4

Reel dimensions



(Unit : mm)

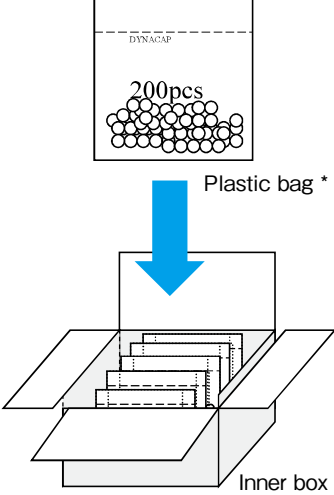
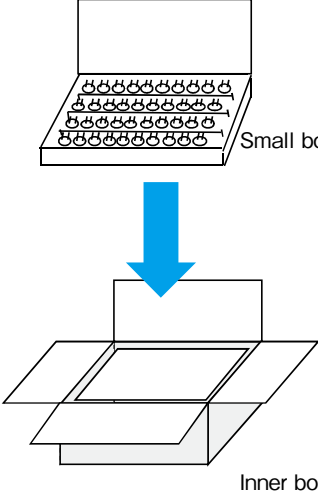
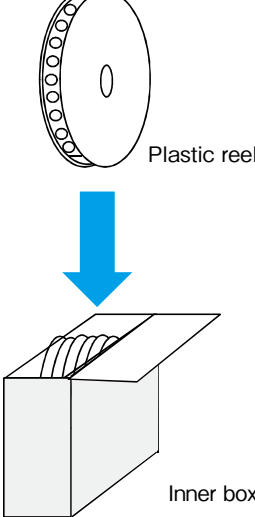
Outside size	W	t
φ12.5×10.5L	34	3
φ12.5× 8.5L	34	3

Packing quantity

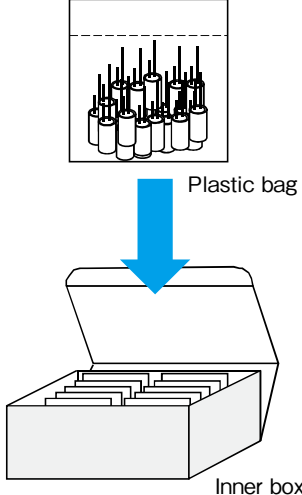
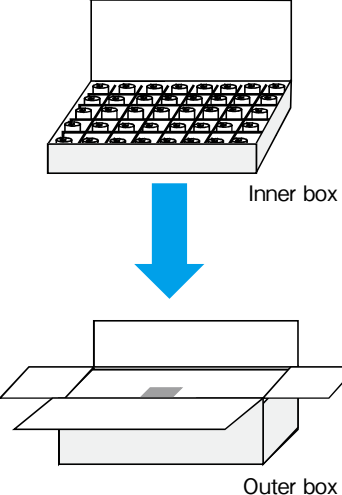
Outside size	Quantity
φ12.5×10.5L	250pcs.
φ12.5× 8.5L	300pcs.

NOTE : Design, Specifications are subject to change without notice.
It is recommended that you shall obtain technical specifications from ELNA to ensure that the component is suitable for your use.

■ **Standard packing specification of Coin cell type**

<p>Series</p>	<ul style="list-style-type: none"> • DC, DCK (614, 621) • DX, DXJ, DXN, DXS • DB, DBN, DBJ, DBS, DK, DH, DHL, DHC (φ13.5) 	<ul style="list-style-type: none"> • DB, DBN, DBJ, DBS, DK, DH, DHL, DHC (φ21.5) 	<ul style="list-style-type: none"> • DSK (414, 614, 621) • DVN, DVL
<p>Packing style</p>	 <p>Plastic bag *</p> <p>Inner box</p> <p>* DC, DCK : Vacuum packing</p>	 <p>Small box</p> <p>Inner box</p>	 <p>Plastic reel</p> <p>Inner box</p>

■ **Standard packing specification of large type**

<p>Series</p>	<ul style="list-style-type: none"> • DU, DY, DZ, DZN, DZH (φ6.3 to φ18) • DZP 	<ul style="list-style-type: none"> • DZ, DZN, DZH (φ22 or more)
<p>Packing style</p>	 <p>Plastic bag</p> <p>Inner box</p>	 <p>Inner box</p> <p>Outer box</p>

Please inquire for details.

Cautions for Using Electric Double Layer Capacitors (DYNACAP , POWERCAP)

■ Usage

1. Electric double layer capacitors (EDLC) use a conductive organic electrolyte.

The use at excessive mounting temperature or exceeding the upper category temperature can cause the electrolyte to leak. Especially, coin and multilayer coin types for the memory backup excluding the DZ, DZH, DZN and DP series use a low elastic plastic as the sealant in the cell construction like coin batteries; therefore, avoid using such capacitors in the Vicinity of automotive equipment with steep temperature change, and heating element such as motor, relay, transformer, power IC, etc. because of the risk of leakage of electrolyte.

2. Since EDLC is polarized, do not apply a reversed voltage.

EDLC is polarized. If a reversed voltage is applied for a long time, the leakage current will increase abruptly, which may cause a decrease in the capacity, an increase in the internal resistance, and causing leakage or damage to the product in some cases.

3. Do not apply any voltage higher than the operating maximum voltage (this means the surge voltage in the case of short-time charge).

If an overvoltage is applied to the product, the leakage current will increase abruptly and the product will become overheated, which may cause a decrease in the capacity, an increase in the internal resistance, and causing leakage or damage to the product in some cases.

4. Do not use smoothing a power supply (for absorbing its ripple).

Since the internal resistance of EDLC is high, the product will be overheated if it is used for smoothing a power supply (for absorbing its ripple), which may cause a decrease in the capacity, an increase in the internal resistance, and causing leakage or damage to the product in some cases .

5. Do not use in a circuit where quick charge and discharge are repeated Very often.

In a circuit where quick charge and discharge are repeated very often , the product will become overheated, which may cause a decrease in the capacity, an increase in the internal resistance, and causing leakage or damage to the product in some cases.

Reduce the charge and discharge currents while selecting a product with low internal resistance, and make sure that the product surface temperature does not rise.

6. EDLC life depends heavily on the ambient temperature.

①The lifetime of EDLC is seriously affected by change in ambient temperature. If the temperature is lowered by 10°C, the lifetime will be approximately doubled. Therefore, the product should be used at a temperature lower than the guaranteed maximum value for maximum life.

②If the capacitor is used at a temperature exceeding its maximum guaranteed temperature, not only is its life shortened, but increased vapor

pressure of electrolyte or electrochemical reactions may increase the internal pressure, and causing leakage or damage to the product in some cases.

7. Note that a voltage drop In EDLC occurs during backup.

In a case where discharge current is large, or a large current flows instantaneously, an electric double layer capacitor may not operate at the start of discharge because of a large voltage drop (IR drop) caused by the product with the DC internal resistance.

Please consult us for a large discharge current (in the case of other series except DZ, DZH, DZN and DP series: when larger than $1 \text{ (mA)} = 1 \times C \text{ (F)}$) as the internal resistance varies by each series (Recommendation discharge current: less than 1 mA/F at 20°C)

8. Do not use the product in an ambient atmosphere containing waterdrops (condensation) or toxic gases.

Although EDLC is sealed, water droplets or toxic gases may do degradation characteristics, a leakage and corrode the lead wires and the case, which may cause a breaking of the wires.

Avoid abrupt temperature changes, which may cause water droplets, resulting in product deterioration and electrolyte leakage.

9. Contact us before connecting the products in series.

A series connection will cause imbalance in the voltage, charged to the capacitors and an overvoltage may be charged to one or more them. This may cause a decrease in the capacity, an increase in the internal resistance and causing leakage or damage to the product in some cases. When using series connection for several capacitors, please derate the applied voltage from the operating maximum voltage or use balancing circuits (bleeder resistor, etc.) to compensate for the imbalance in the applied voltage for each capacitor. Moreover, please ensure the arrangement does not cause temperature fluctuation between capacitors.

10. About vibration.

A terminal blank, a terminal bend, and a crease may occur by adding too much vibration to a capacitor.

Moreover, depending on the case, an EDLC may do degradation of the characteristic, breakage, and a leakage.

When you become too much vibration, please contact us.

11. When used on a double sided printed circuit board, do not overlap the wiring patterns on the mounted part.

A short circuit may be created by certain wiring conditions. Should the electrolyte leaks, the circuit pattern may cause a short circuit, resulting in tracking or migration.

12. Do not keep In high temperature and high humidity atmospheres.

①Avoid high temperature or high humidity or direct rays when storing capacitors.

②Keep the product in a place where the temperature is 5°C to 30°C and the humidity is lower than 60%. Avoid an abrupt temperature change, which may cause condensation or deterioration of the product or liquid leakage.

③Do not store EDLC at a place where there is a possibility that they may get water, salt or oil spill.

④Do not store EDLC at place where the air contains dense hazardous gas (hydrogen sulfide, sulfurous acid, nitrous acid, chlorine ammonia, etc.).

⑤Do not store EDLC at a place where it gets ultraviolet ray or radioactive ray.

13. Capacitors fitted with a relief valve

①The relief valve is provided with a valve function with part of the case made thin to avoid explosion by increased internal pressure when the capacitor is under abnormal load such as overvoltage or reverse voltage. After activation of the relief valve, the capacitor must be replaced as it does not restore.

②For the capacitors with a case relief valve (series DZ,DZH,DZN,DZP,DU,DY), provide a void on the top of the relief valve so as not to hamper its activation. Make a void of 2 mm or more for the product of $\phi 18$ or less in diameter, and a void of 3 mm or more for the product of $\phi 20$ to $\phi 35$ mm in diameter on the top.

14. Use at a high altitude

The use of capacitors at high altitudes such as on an airplane causes a large difference between the internal pressure of the capacitors and the atmospheric pressure.

However, there is no problem in use under atmospheric pressure up to about an altitude of 10,000 meters.

If the condition is severe like space, please contact us.

■ Mounting

1. Do not overheat when soldered.

Depending on the type and size of the board, the product may be subjected to overheat, leading to loss of airtightness. This may greatly shorten the product life or cause liquid leakage.

In case of a 1.6mm-thick and single side printed board. for example, keep the following soldering conditions: temperature lower than 260°C, time shorter than 5 seconds.

When a board thinner than 1.6 mm or multi-layer printed board is used, contact us.

In the case of hand soldering, the iron tip temperature is lower than 360°C, time is shorter than 3 seconds.

The coin types and multilayer coin types excluding the DZ and reflow-compatible coin types use polypropylene as the packing material for sealing and therefore susceptible to excessive heat. Note that the component body temperature shall be controlled so as not to exceed 90°C including preheating.

2. When soldering the capacitor to the wiring board, do not attach the body of the capacitor to the circuit board.

If the body of the capacitor is attached directly to the circuit board, the flux or solder can blow through the through holes in the circuit board, negatively

impacting the capacitor.

Moreover, the heat influence at the time of soldering can be reduced by floating the body.

3. Contact us when cleaning is necessary after soldering.

Certain types of solvents are not compatible and may cause damage.

4. Contact us when the product is attached by adhesive bonding.

Certain types of adhesives are not compatible.

Paste bond partially between the product and the board so that the product will not adhere completely to the board.

Do not raise the temperature over the guaranteed value while the bond is hardening.

5. Heating conditions of adhesive curing oven

During heating of the adhesive curing oven, application of excessive heat may significantly shorten the product life or cause liquid leakage. Control the body temperature so as not to exceed 90°C during work while setting the allowable atmospheric temperature below 110°C, and allowable heating time within 30 seconds.

For the heating conditions deviating from the above, consult with us providing your temperature profile conditions.

6. Be careful not to apply an excessive force to the capacitor body, terminals or lead wires.

①Mount the capacitor while making sure that the terminal spacing of the capacitor and the spacing of the holes in the printed wiring board are aligned.

②If the capacitor body is subjected to stress such as grabbing, falling, bend, pushing or twisting after mounted, its terminals may come off, leading to open, short or liquid leakage.

■ Other cautions

1. Emergency procedures

If the EDLC overheats or starts to smell, immediately switch off the units main power supply to stop operation.

Keep your face and hands away from the EDLC, since the temperature may be high enough to cause the EDLC to ignite and burn.

2. Periodical inspections should be established for the EDLC used in industrial appliances.

The following items should be checked:

①Appearance : Check if there is leakage.

②Electronic performance : Check the leakage current, the electrostatic, the internal resistance and other items described in the catalog or the product specifications.

3. Disposing of EDLC

①Punch a hole or crush the EDLC (to prevent explosion) before incineration at approved facility.

②If they are not to be incinerated, bring them to a professional industrial waste disposal company.

4. Other notes

Please refer to the following literature for anything not described in the product specifications or the catalog. (Technical Report of Japan Electronics and Information Technology Industries Association #EIAJ RCR-2370B "Guideline of notabilia for fixed electric double layer capacitors")

5.5V SMD, Low Resistance Capacitors

GREEN CAP

70°C

- Size : $\phi 12.5 \times 8.5$ mm, compatible with surface mounting and low ESR.
- Unlike batteries, safe and high reliability without containing active and hazardous substance.
- Unlike batteries, excellent charge and discharge characteristics with no chemical reactions.
- Responds to temperature 260°C during the reflow peek.



Marking color : White print on an brown sleeve

Convert to chip

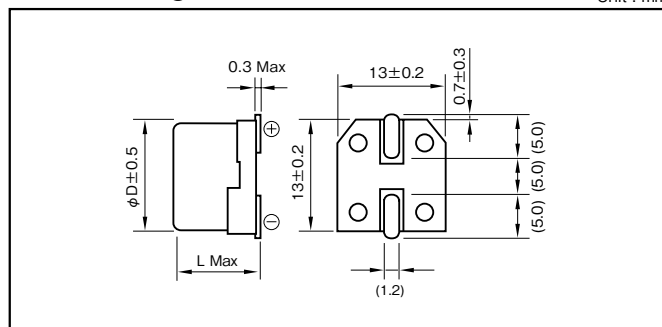


Specifications

Item	Performance				
Category temperature range (°C)	- 25 to +70				
Tolerance at rated capacitance (%)	- 20 to +80				
Internal resistance at 1 kHz	Rated capacitance (F)	0.047	0.1	0.22	0.33
	Internal resistance (Ω Max.)	30	30	30	30
Characteristics at high and low temperature	Percentage of capacitance change	Within $\pm 30\%$ of the value at 20°C			
	Internal resistance	Less than five times of the value at 20°C			
Endurance (70°C)	Test time	1000 hours			
	Percentage of capacitance change	Within $\pm 30\%$ of the initial measured value			
	Internal resistance	Less than four times of the initial specified value			
Shelf life (70°C)	Test time : 1000 hours ; Same as endurance.				
Applicable standards	Conforms to JIS C5160-1 2009 (IEC 62391-1 2006)				

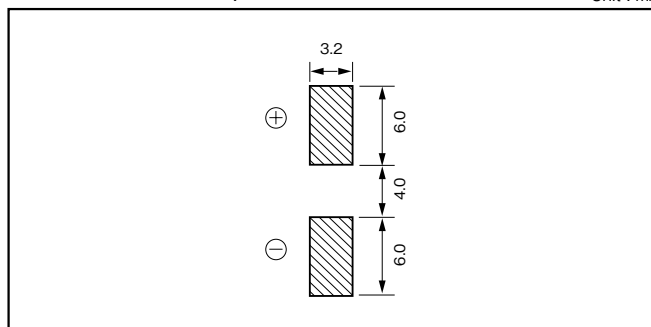
Outline Drawing

Unit : mm



Recommended land pattern size

Unit : mm



Part numbering system (example : 5.5V0.1F)

DVN	—	5R5	D	104	T	—	R5
Series code		Max. operating voltage symbol	Terminal code	Rated capacitance symbol			Taping symbol

Part number is refer to following table.

Standard Ratings

Max. operating voltage (V)	Rated capacitance (F)	ELNA Parts No.	$\phi D \times L$ (mm)
5.5	0.047	DVN-5R5D473T-R5	12.5 × 8.5
5.5	0.1	DVN-5R5D104T-R5	12.5 × 8.5
5.5	0.22	DVN-5R5D224T-R5	12.5 × 8.5
5.5	0.33	DVN-5R5D334T-R5	12.5 × 8.5

*soldering conditions are described on page 191.

5.5V SMD, Wide Temperature range Capacitors

GREEN CAP

85°C

- Size : $\phi 12.5 \times 10.5$ mm, compatible with surface mounting.
- Wide temperature range (−40 to 85°C), Low ESR.
- Unlike batteries, safe and high reliability without containing active and hazardous substance.
- Unlike batteries, excellent charge and discharge characteristics with no chemical reactions.
- Responds to temperature 260°C during the reflow peak.



Marking color : White print on an brown sleeve

Convert to chip

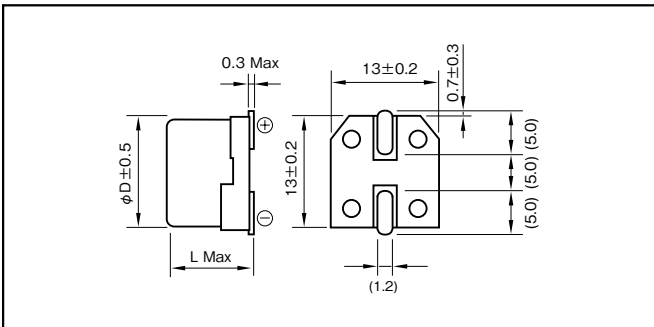


Specifications

Item	Performance			
Category temperature range (°C)	− 40 to +85			
Tolerance at rated capacitance (%)	− 20 to +80			
Internal resistance at 1 kHz	Rated capacitance (F)	0.047	0.1	0.22
	Internal resistance (Ω Max.)	45	45	45
Characteristics at high and low temperature	Percentage of capacitance change	Within $\pm 30\%$ of the value at 20°C		
	Internal resistance	−40°C : Less than seven times of the value at 20°C 85°C : Less than five times of the value at 20°C		
Endurance (85°C)	Test time	1000 hours		
	Percentage of capacitance change	Within $\pm 30\%$ of the initial measured value		
	Internal resistance	Less than four times of the initial specified value		
Shelf life (85°C)	Test time : 1000 hours ; Same as endurance.			
Applicable standards	Conforms to JIS C5160-1 2009 (IEC 62391-1 2006)			

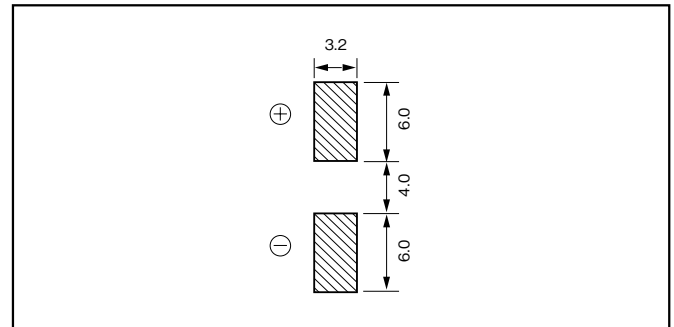
Outline Drawing

Unit : mm



Recommended land pattern size

Unit : mm



Part numbering system (example : 5.5V0.1F)

DVL	—	5R5	D	104	T	—	R5
Series code		Max. operating voltage symbol	Terminal code	Rated capacitance symbol			Taping symbol

Part number is refer to following table.

Standard Ratings

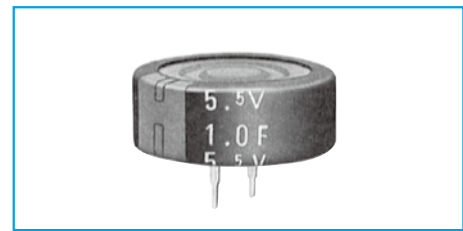
Max. operating voltage (V)	Rated capacitance (F)	ELNA Parts No.	$\phi D \times L$ (mm)
5.5	0.047	DVL-5R5D473T-R5	12.5 × 10.5
5.5	0.1	DVL-5R5D104T-R5	12.5 × 10.5
5.5	0.22	DVL-5R5D224T-R5	12.5 × 10.5

*soldering conditions are described on page 191.

5.5V Standard Capacitors Series DB

GREEN CAP 70°C

- Small-sized, large capacity, excellent voltage holding.
- For all ratings, uniform 5mm pitch of terminal spacing.
- Wider temperature range (−25 to +70°C) than battery.
- $\phi 21.5 \times 7.5L$ size can encase up to 1.5F.
- Ideal for backing up of CMOS's, IC's, microcomputers, RAM's, RTC's and the like used in Video's, tuners, TV sets, telephone sets and others.



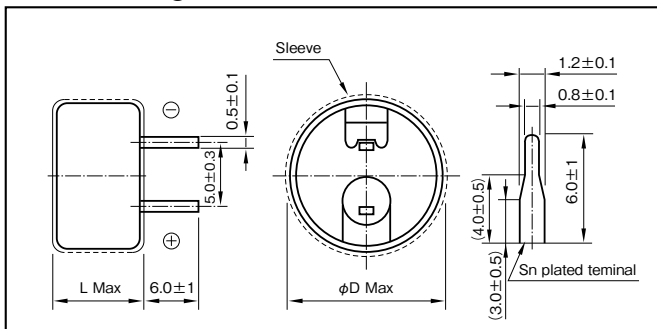
Marking color : White print on an indigo sleeve

Specifications

Item	Performance								
Category temperature range (°C)	−25 to +70								
Tolerance at rated capacitance (%)	−20 to +80								
Internal resistance at 1 kHz	Rated capacitance (F)	0.047	0.1	0.22	0.33	0.47	0.47	1	1.5
	Internal resistance (Ω Max.)	120	75	75	75	75 ($\phi 13.5$)	30 ($\phi 21.5$)	30	30
Characteristics at high and low temperature	Percentage of capacitance change	Within $\pm 30\%$ of the value at 20°C							
	Internal resistance	Less than five times of the value at 20°C							
Endurance (70°C)	Test time	1000 hours							
	Percentage of capacitance change	Within $\pm 30\%$ of the initial measured value							
	Internal resistance	Within four times of the initial specified value							
Shelf life (70°C)	Test time : 1000 hours ; Same as endurance.								
Applicable standards	Conforms to JIS C5160-1 2009 (IEC 62391-1 2006)								

Outline Drawing

Unit : mm



Standard Ratings

Max. operating voltage (V)	Rated capacitance (F)	ELNA Parts No.	$\phi D \times L$ (mm)
5.5	0.047	DB-5R5D473T	13.5×7.5
5.5	0.1	DB-5R5D104T	13.5×7.5
5.5	0.22	DB-5R5D224T	13.5×7.5
5.5	0.33	DB-5R5D334T	13.5×7.5
5.5	0.47	DB-5R5D474ST	13.5×7.5
5.5	0.47	DB-5R5D474T	21.5×8.0
5.5	1	DB-5R5D105T	21.5×8.0
5.5	1.5	DB-5R5D155T	21.5×8.0

Part numbering system (example : 5.5V0.1F)

DB	—	5R5	D	104	\square	T
Series code		Max. operating voltage symbol	Terminal code	Rated capacitance symbol		Additional symbol

Part number is refer to above table.

5.5V Low Resistance Series DBN

GREEN CAP 70°C Low ESR

- Internal resistance was reduced to 85% to DB series.
- It excels in rapid charge.(It can charge and discharge with 1.5 times as much current (mA) as rated capacitance.)

Specifications

Item	Performance								
Category temperature range (°C)	−25 to +70								
Tolerance at rated capacitance (%)	−20 to +80								
Internal resistance at 1 kHz	Rated capacitance (F)	0.047	0.1	0.22	0.33	0.47	0.47	1	1.5
	Internal resistance (Ω)	25	25	25	25	25 ($\phi 13.5$)	20 ($\phi 21.5$)	20	20
Characteristics at high and low temperature	Percentage of capacitance change	Within $\pm 30\%$ of the value at 20°C							
	Internal resistance	Less than five times of the value at 20°C							
Endurance (70°C)	Test time	1000 hours							
	Percentage of capacitance change	Within $\pm 30\%$ of the initial measured value							
	Internal resistance	Within four times of the initial specified value							
Shelf life (70°C)	Test time : 1000 hours ; Same as endurance.								
Applicable standards	Conforms to JIS C5160-1 2009 (IEC 62391-1 2006)								

Standard Ratings

Max. operating voltage (V)	Rated capacitance (F)	ELNA Parts No.	$\phi D \times L$ (mm)
5.5	0.047	DBN-5R5D473T	13.5×7.5
5.5	0.1	DBN-5R5D104T	13.5×7.5
5.5	0.22	DBN-5R5D224T	13.5×7.5
5.5	0.33	DBN-5R5D334T	13.5×7.5
5.5	0.47	DBN-5R5D474ST	13.5×7.5
5.5	0.47	DBN-5R5D474T	21.5×8.0
5.5	1	DBN-5R5D105T	21.5×8.0
5.5	1.5	DBN-5R5D155T	21.5×8.0

Part numbering system (example : 5.5V0.047F)

DBN	—	5R5	D	473	\square	T
Series code		Max. operating voltage symbol	Terminal code	Rated capacitance symbol		Additional symbol

Part number is refer to left table.

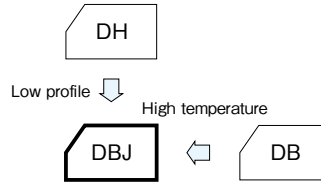
NOTE : Design, Specifications are subject to change without notice. It is recommended that you shall obtain technical specifications from ELNA to ensure that the component is suitable for your use.

5.5V Low Profile and High Temperature Capacitors

GREEN CAP

85°C

- High temperature type of series DB.
- Small-sized, large capacity, excellent voltage holding.
- For all ratings, uniform 5mm pitch of terminal spacing.
- $\phi 13.5 \times 7.5L$ size can encase up to 0.33F.
- Ideal for backing up of CMOS's, IC's, microcomputers, RAM's, RTC's and the like used in Video's, tuners, TV sets, telephone sets and others.



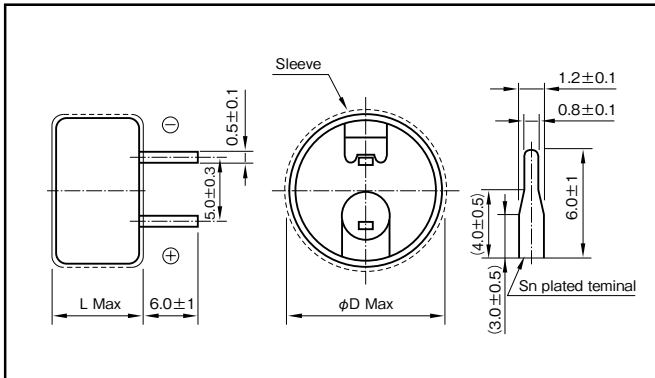
Marking color : White print on a black sleeve

Specifications

Item	Performance						
Category temperature range (°C)	-10 to +85						
Tolerance at rated capacitance (%)	-20 to +80						
Internal resistance at 1 kHz	Rated capacitance (F)	0.047	0.1	0.22	0.33	0.47	1
	Internal resistance (Ω Max.)	200	150	150	150	100	75
Characteristics at high and low temperature	Percentage of capacitance change	Within $\pm 30\%$ of the value at 20°C					
	Internal resistance	Less than four times of the initial specified value.					
Endurance (85°C)	Test time	1000 hours					
	Percentage of capacitance change	Within $\pm 30\%$ of the initial measured value					
	Internal resistance	Less than four times of the initial specified value					
Shelf life (85°C)	Test time : 1000 hours ; Same as endurance.						
Applicable standards	Conforms to JIS C5160-1 2009 (IEC 62391-1 2006)						

Outline Drawing

Unit : mm



Part numbering system (example : 5.5V0.1F)

DBJ	—	5R5	D	104	T
Series code		Max.operating voltage symbol		Rated capacitance symbol	

Part number is refer to following table.

Standard Ratings

Max. operating voltage (V)	Rated capacitance (F)	ELNA Parts No.	$\phi D \times L$ (mm)
5.5	0.047	DBJ-5R5D473T	13.5×7.5
5.5	0.1	DBJ-5R5D104T	13.5×7.5
5.5	0.22	DBJ-5R5D224T	13.5×7.5
5.5	0.33	DBJ-5R5D334T	13.5×7.5
5.5	0.47	DBJ-5R5D474T	21.5×8.0
5.5	1	DBJ-5R5D105T	21.5×8.0

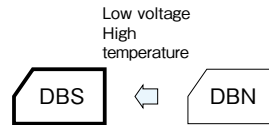
NOTE : Design, Specifications are subject to change without notice. It is recommended that you shall obtain technical specifications from ELNA to ensure that the component is suitable for your use.

3.6V Low Profile and Low ESR High Temperature Capacitors

GREEN CAP

85°C

- Long life of 3.6V 2000 hours in small size low ESR.
- For all ratings, uniform 5mm pitch of terminal spacing.
- Wider temperature range (-25 to +85°C) than battery.
- $\phi 13.5 \times 7.5L$ size can encase up to 0.47F.
- Ideal for backing up of CMOS's, IC's, microcomputers, RAM's, RTC's and the like used in Video's, tuners, TV sets, telephone sets and others.
- It excels in rapid charge.



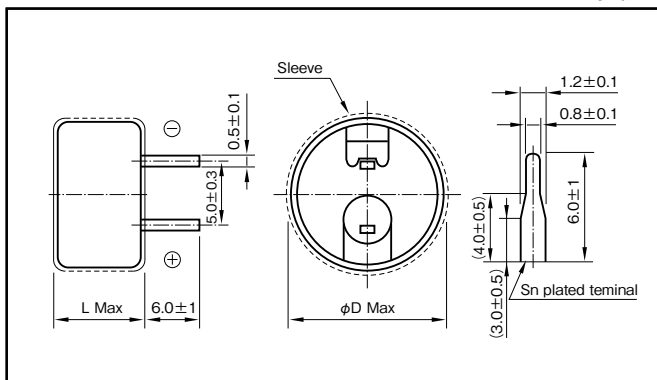
Marking color : White print on a black sleeve

Specifications

Item	Performance							
Category temperature range (°C)	-25 to +85							
Tolerance at rated capacitance (%)	-20 to +80							
Internal resistance at 1 kHz	Rated capacitance (F)	0.047	0.1	0.22	0.33	0.47	0.47	1
	Internal resistance (Ω Max.)	25	25	25	25	25 ($\phi 13.5$)	20 ($\phi 21.5$)	20
Characteristics at high and low temperature	Percentage of capacitance change	Within $\pm 30\%$ of the value at 20°C						
	Internal resistance	Less than five times of the value at 20°C						
Endurance (85°C)	Test time	2000 hours ($\phi 13.5$ 0.47F : 1000 hours)						
	Percentage of capacitance change	Within $\pm 30\%$ of the initial measured value						
	Internal resistance	Within four times of the initial specified value						
Shelf life (85°C)	Test time : 1000 hours ; Same as endurance.							
Applicable standards	Conforms to JIS C5160-1 2009 (IEC 62391-1 2006)							

Outline Drawing

Unit : mm



Part numbering system (example : 3.6V0.1F)

DBS	—	3R6	D	104	T
Series code		Max. operating voltage symbol	Terminal code	Rated capacitance symbol	Additional symbol

Part number is refer to following table.

Standard Ratings

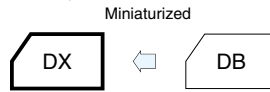
Max. operating voltage (V)	Rated capacitance (F)	ELNA Parts No.	$\phi D \times L$ (mm)
3.6	0.047	DBS-3R6D473T	13.5 × 7.5
3.6	0.1	DBS-3R6D104T	13.5 × 7.5
3.6	0.22	DBS-3R6D224T	13.5 × 7.5
3.6	0.33	DBS-3R6D334T	13.5 × 7.5
3.6	0.47	DBS-3R6D474ST	13.5 × 7.5
3.6	0.47	DBS-3R6D474T	21.5 × 8.0
3.6	1	DBS-3R6D105T	21.5 × 8.0

5.5V Miniaturized Standard Capacitors

GREEN CAP

70°C

- Smaller and lighter than Series DB.
- 5mm tall. Max. thin profile (H-shaped).
- Miniaturized but can encase up to 0.47F in 11.5×5mm case, and 1.5F in φ19.0×20.5Lmm case.



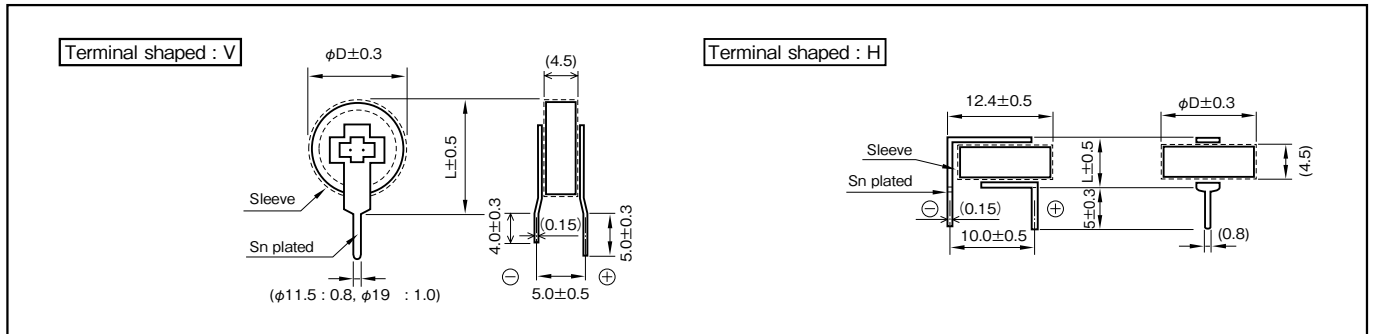
Marking color : White print on an indigo sleeve

Specifications

Item	Performance									
Category temperature range (°C)	-25 to +70									
Tolerance at rated capacitance (%)	-20 to +80									
Internal resistance at 1 kHz	Rated capacitance (F)	0.047	0.1	0.22	0.33	0.47	0.47	1	1.5	
	Internal resistance (Ω Max.)	120	75	75	75	75 (φ11.5)	30 (φ19.0)	30	30	
Characteristics at high and low temperature	Percentage of capacitance change	Within ±30% of the value at 20°C								
	Internal resistance	Less than five times of the value at 20°C								
Endurance (70°C)	Test time	1000 hours								
	Percentage of capacitance change	Within ±30% of the initial measured value								
	Internal resistance	Less than four times of the initial specified value								
Shelf life (70°C)	Test time : 1000 hours ; Same as endurance.									
Applicable standards	Conforms to JIS C5160-1 2009 (IEC 62391-1 2006)									

Outline Drawing

Unit : mm



Part numbering system (example : 5.5V0.1F)						
DX	—	5R5	□	104	□	U
Series code		Max.operating voltage symbol	Terminal code	Rated capacitance symbol	Additional symbol	

Note

Do not apply external force to products or terminals as stress such as twisting, bending, pushing, or falling of such products or terminals may remove the terminals, resulting in an open/short circuit or liquid leakage. Avoid applying excessive heat to capacitors during heating of an adhesive curing oven. For details, refer to the precautions in use of DYNACAP.

Part number is refer to following table.

Standard Ratings

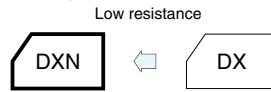
Max. operating voltage (V)	Rated capacitance (F)	ELNA Parts No.	φD×L (mm)
5.5	0.047	DX-5R5V473U	11.5×13.0
		DX-5R5H473U	11.5× 5.0
5.5	0.1	DX-5R5V104U	11.5×13.0
		DX-5R5H104U	11.5× 5.0
5.5	0.22	DX-5R5V224U	11.5×13.0
		DX-5R5H224U	11.5× 5.0
5.5	0.33	DX-5R5V334U	11.5×13.0
		DX-5R5H334U	11.5× 5.0
5.5	0.47	DX-5R5V474SU	11.5×13.0
		DX-5R5H474SU	11.5× 5.0
		DX-5R5V474U	19.0×20.5
5.5	1	DX-5R5V105U	19.0×20.5
5.5	1.5	DX-5R5V155U	19.0×20.5

NOTE : Design, Specifications are subject to change without notice. It is recommended that you shall obtain technical specifications from ELNA to ensure that the component is suitable for your use.

5.5V Miniaturized Low Resistance Capacitors

GREEN CAP 70°C

- Internal resistance was reduced to 85% to DX series and this size.
- 5mm tall. Max. thin profile (H-shaped).
- Miniaturized but can encase up to 0.47F in 11.5×5mm case, and 1.5F in $\phi 19.0 \times 20.5$ mm case.
- It excels in rapid charge.
(It can charge and discharge with 1.5 times as much current (mA) as rated capacitance.)



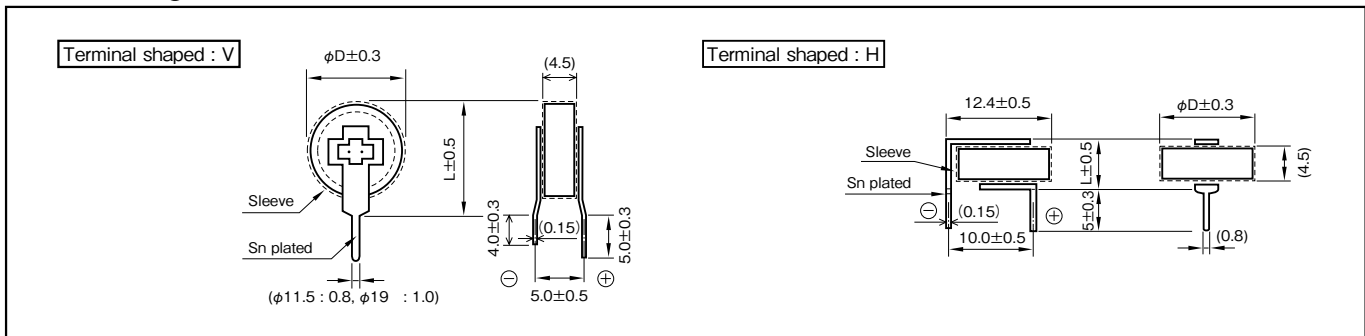
Marking color : White print on an indigo sleeve

Specifications

Item	Performance								
Category temperature range (°C)	-25 to +70								
Tolerance at rated capacitance (%)	-20 to +80								
Internal resistance at 1 kHz	Rated capacitance (F)	0.047	0.1	0.22	0.33	0.47	0.47	1	1.5
	Internal resistance (Ω Max.)	25	25	25	25	25 ($\phi 11.5$)	20 ($\phi 19.0$)	20	20
Characteristics at high and low temperature	Percentage of capacitance change	Within $\pm 30\%$ of the value at 20°C							
	Internal resistance	Less than five times of the value at 20°C							
Endurance (70°C)	Test time	1000 hours							
	Percentage of capacitance change	Within $\pm 30\%$ of the initial measured value							
	Internal resistance	Less than four times of the initial specified value							
Shelf life (70°C)	Test time : 1000 hours ; Same as endurance.								
Applicable standards	Conforms to JIS C5160-1 2009(IEC 62391-1 2006)								

Outline Drawing

Unit : mm



Part numbering system (example : 5.5V0.1F)

DXN	—	5R5	\square	104	\square	U
Series code		Max.operating voltage symbol	Terminal code	Rated Capacitance symbol	Additional symbol	

Part number is refer to following table.

Note

Do not apply external force to products or terminals as stress such as twisting, bending, pushing, or falling of such products or terminals may remove the terminals, resulting in an open/short circuit or liquid leakage. Avoid applying excessive heat to capacitors during heating of an adhesive curing oven. For details, refer to the precautions in use of DYNACAP.

Standard Ratings

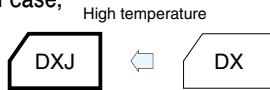
Max. operating voltage (V)	Rated capacitance (F)	ELNA Parts No.	$\phi D \times L$ (mm)
5.5	0.047	DXN-5R5V473U	11.5×13.0
		DXN-5R5H473U	11.5× 5.0
5.5	0.1	DXN-5R5V104U	11.5×13.0
		DXN-5R5H104U	11.5× 5.0
5.5	0.22	DXN-5R5V224U	11.5×13.0
		DXN-5R5H224U	11.5× 5.0
5.5	0.33	DXN-5R5V334U	11.5×13.0
		DXN-5R5H334U	11.5× 5.0
5.5	0.47	DXN-5R5V474SU	11.5×13.0
		DXN-5R5H474SU	11.5× 5.0
		DXN-5R5V474U	19.0×20.5
5.5	1	DXN-5R5V105U	19.0×20.5
5.5	1.5	DXN-5R5V155U	19.0×20.5

5.5V Miniaturized High Temperature Capacitors

GREEN CAP

85°C

- High temperature type of Series DX.
- 5mm tall. Max. thin profile (H-shaped).
- Miniaturized but can encase up to 0.33F in 11.5×5mm case, and 1.0F in φ19.0×20.5Lmm case.



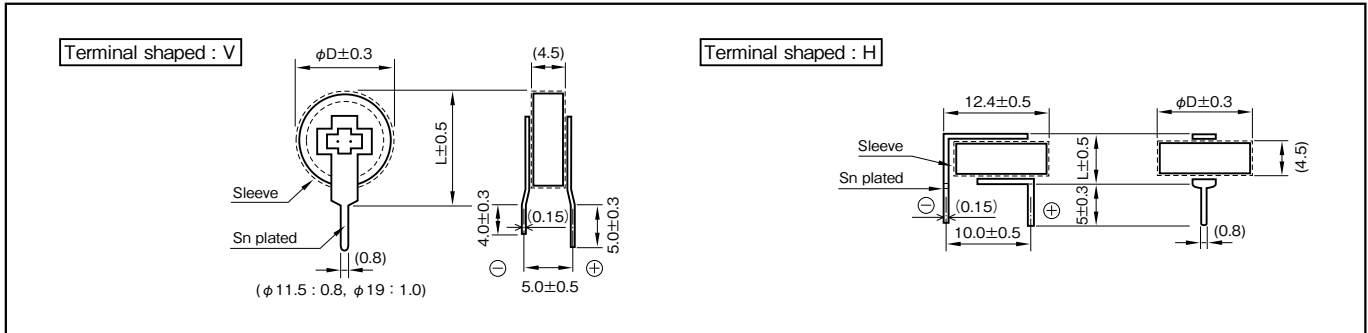
Marking color : White print on a black sleeve

Specifications

Item	Performance					
Category temperature range (°C)	-10 to +85					
Tolerance at rated capacitance (%)	-20 to +80					
Internal resistance at 1 kHz	Rated capacitance (F)	0.047	0.1	0.22	0.33	1
	Internal resistance (Ω Max.)	200	150	150	150	75
Characteristics at high and low temperature	Percentage of capacitance change	Within ±30% of the value at 20°C				
	Internal resistance	Less than four times of the initial specified value.				
Endurance (85°C)	Test time	1000 hours				
	Percentage of capacitance change	Within ±30% of the initial measured value				
	Internal resistance	Less than four times of the initial specified value				
Shelf life (85°C)	Test time : 1000 hours ; Same as endurance.					
Applicable standards	Conforms to JIS C5160-1 2009 (IEC 62391-1 2006)					

Outline Drawing

Unit : mm



Part numbering system (example : 5.5V0.1F)

DXJ	—	5R5	□	104	□	U
Series code		Max.operating voltage symbol	Terminal code	Rated Capacitance symbol	Additional symbol	

Part number is refer to following table.

Note

Do not apply external force to products or terminals as stress such as twisting, bending, pushing, or falling of such products or terminals may remove the terminals, resulting in an open/short circuit or liquid leakage. Avoid applying excessive heat to capacitors during heating of an adhesive curing oven. For details, refer to the precautions in use of DYNACAP.

Standard Ratings

Max. operating voltage (V)	Rated capacitance (F)	ELNA Parts No.	φD×L (mm)
5.5	0.047	DXJ-5R5V473U	11.5×13.0
		DXJ-5R5H473U	11.5× 5.0
5.5	0.1	DXJ-5R5V104U	11.5×13.0
		DXJ-5R5H104U	11.5× 5.0
5.5	0.22	DXJ-5R5V224U	11.5×13.0
		DXJ-5R5H224U	11.5× 5.0
5.5	0.33	DXJ-5R5V334U	11.5×13.0
		DXJ-5R5H334U	11.5× 5.0
5.5	1	DXJ-5R5V105U	19.0×20.5

NOTE : Design, Specifications are subject to change without notice. It is recommended that you shall obtain technical specifications from ELNA to ensure that the component is suitable for your use.

3.6V Miniaturized Low ESR High Temperature Capacitors

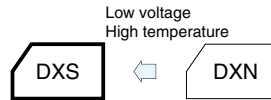
GREEN CAP

85°C

- Long life of 3.6V 2000 hours, low ESR in DX series and this size.
- 5mm tall. Max. thin profile (H-shaped).
- Wider temperature range (-25 to +85°C) than battery.
- Miniaturized but can encase up to 0.47F in 11.5x5mm case and 1.0F in 19.0x20.5L mm case.
- It excels in rapid charge.



Marking color : White print on a black sleeve

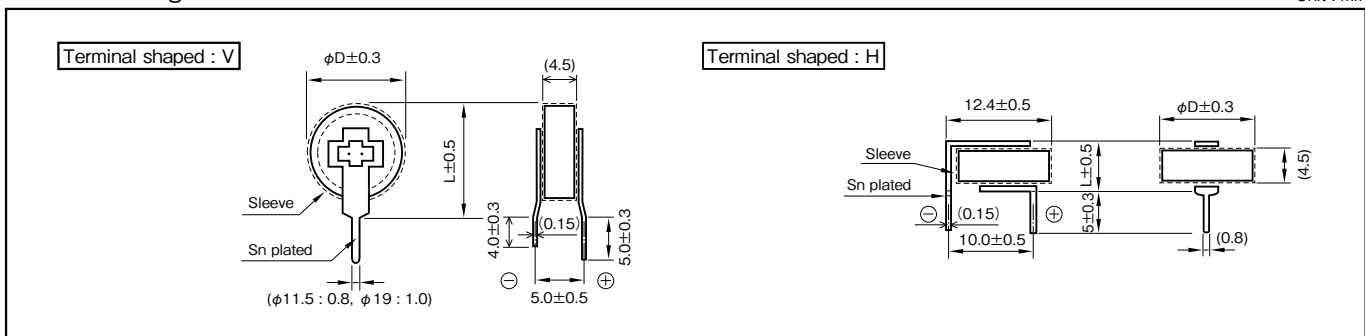


Specifications

Item	Performance							
Category temperature range (°C)	-25 to +85							
Tolerance at rated capacitance (%)	-20 to +80							
Internal resistance at 1 kHz	Rated capacitance (F)	0.047	0.1	0.22	0.33	0.47	0.47	1
	Internal resistance (Ω Max.)	25	25	25	25	25 (φ 11.5)	20 (φ 19.0)	20
Characteristics at high and low temperature	Percentage of capacitance change	Within ±30% of the value at 20°C						
	Internal resistance	Less than five times of the value at 20°C						
Endurance (85°C)	Test time	2000 hours (φ 11.5 0.47F : 1000 hours)						
	Percentage of capacitance change	Within ±30% of the initial measured value						
	Internal resistance	Less than four times of the initial specified value						
Shelf life (85°C)	Test time : 1000 hours ; Same as endurance.							
Applicable standards	Conforms to JIS C5160-1 2009(IEC 62391-1 2006)							

Outline Drawing

Unit : mm



Part numbering system (example : 3.6V0.1F)

DXS	—	3R6	□	104	□	U
Series code		Max.operating voltage symbol	Terminal shaped	Rated capacitance symbol	Additional symbol	

Part number is refer to following table.

Note

Do not apply external force to products or terminals as stress such as twisting, bending, pushing, or falling of such products or terminals may remove the terminals, resulting in an open/short circuit or liquid leakage. Avoid applying excessive heat to capacitors during heating of an adhesive curing oven. For details, refer to the precautions in use of DYNACAP.

Standard Ratings

DXS-5R5V105U

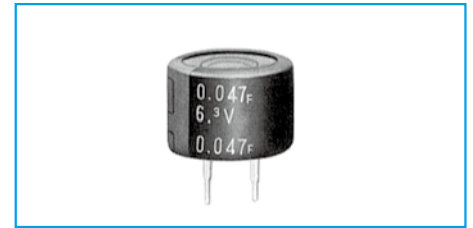
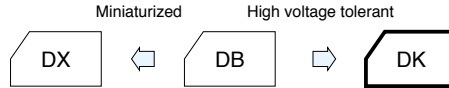
Max. operating voltage (V)	Rated capacitance (F)	ELNA Parts No.	φD×L (mm)
3.6	0.047	DXS-3R6V473U	11.5×13.0
		DXS-3R6H473U	11.5× 5.0
3.6	0.1	DXS-3R6V104U	11.5×13.0
		DXS-3R6H104U	11.5× 5.0
3.6	0.22	DXS-3R6V224U	11.5×13.0
		DXS-3R6H224U	11.5× 5.0
3.6	0.33	DXS-3R6V334U	11.5×13.0
		DXS-3R6H334U	11.5× 5.0
3.6	0.47	DXS-3R6V474SU	11.5×13.0
		DXS-3R6H474SU	11.5× 5.0
		DXS-3R6V474U	19.0×20.5
3.6	1	DXS-3R6V105U	19.0×20.5

High Voltage Tolerance Capacitors

GREEN CAP

70°C

- High voltage tolerant (6.3V guaranteed) and highly reliable.
- Ideal for backing up of Li-battery-backed equipment such as cameras, video and telephone sets.



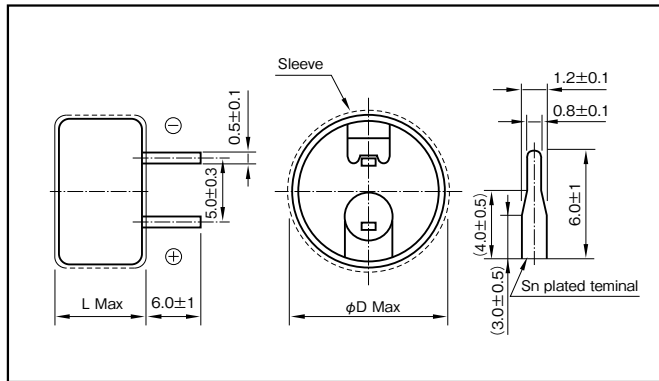
Marking color : White print on an indigo sleeve

Specifications

Item	Performance					
Category temperature range (°C)	-25 to +70					
Tolerance at rated capacitance (%)	-20 to +80					
Internal resistance at 1 kHz	Rated capacitance (F)	0.047	0.1	0.47	0.68	1
	Internal resistance (Ω Max.)	300	200	50	50	30
Characteristics at high and low temperature	Percentage of capacitance change	Within ±30% of the value at 20°C				
	Internal resistance	Less than five times of the value at 20°C				
Endurance (70°C)	Test time	1000 hours				
	Percentage of capacitance change	Within ±30% of the initial measured value				
	Internal resistance	Less than four times of the initial specified value				
Shelf life (70°C)	Test time : 1000 hours ; Same as endurance.					
Applicable standards	Conforms to JIS C5160-1 2009 (IEC 62391-1 2006)					

Outline Drawing

Unit : mm



Part numbering system (example : 6.3V0.1F)			
DK	—	6R3	D 104 T
Series code		Max.operating voltage symbol	Rated capacitance symbol

Part number is refer to following table.

Standard Ratings

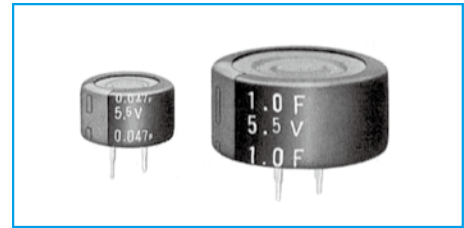
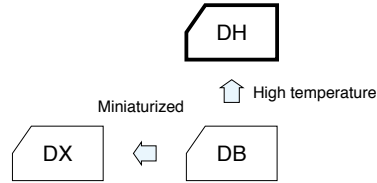
Max. operating voltage (V)	Rated capacitance (F)	ELNA Parts No.	φD×L (mm)
6.3	0.047	DK-6R3D473T	13.5×9.5
6.3	0.1	DK-6R3D104T	13.5×9.5
6.3	0.47	DK-6R3D474T	21.5×9.5
6.3	0.68	DK-6R3D684T	21.5×9.5
6.3	1	DK-6R3D105T	21.5×9.5

NOTE : Design, Specifications are subject to change without notice. It is recommended that you shall obtain technical specifications from ELNA to ensure that the component is suitable for your use.

High Temperature Capacitors

GREEN CAP 85°C

- High temperature tolerant (−25 to +85°C) and highly reliable.
- Ideal for backing up of controls, electronic rice cooking jars, home bakeries and the like.



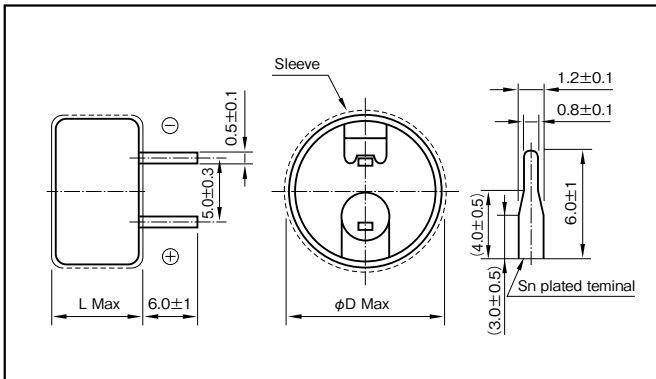
Marking color : White print on an indigo sleeve

Specifications

Item	Performance						
Category temperature range (°C)	−25 to +85						
Tolerance at rated capacitance (%)	−20 to +80						
Internal resistance at 1 kHz	Rated capacitance (F)	0.047	0.1	0.22	0.47	0.68	1
	Internal resistance (Ω Max.)	300	200	120	50	50	30
Characteristics at high and low temperature	Percentage of capacitance change	Within ±30% of the value at 20°C					
	Internal resistance	Less than five times of the value at 20°C					
Endurance (85°C)	Test time	1000 hours					
	Percentage of capacitance change	Within ±30% of the initial measured value					
	Internal resistance	Less than four times of the initial specified value					
Shelf life (85°C)	Test time : 1000 hours ; Same as endurance.						
Applicable standards	Conforms to JIS C5160-1 2009 (IEC 62391-1 2006)						

Outline Drawing

Unit : mm



Part numbering system (example : 5.5V0.1F)

DH	—	5R5	D	104	T
Series code		Max.operating voltage symbol		Rated capacitance symbol	

Part number is refer to following table.

Standard Ratings

Max. operating voltage (V)	Rated capacitance (F)	ELNA Parts No.	φD×L (mm)
5.5	0.047	DH-5R5D473T	13.5×9.5
5.5	0.1	DH-5R5D104T	13.5×9.5
5.5	0.22	DH-5R5D224T	13.5×9.5
5.5	0.47	DH-5R5D474T	21.5×9.5
5.5	0.68	DH-5R5D684T	21.5×9.5
5.5	1	DH-5R5D105T	21.5×9.5

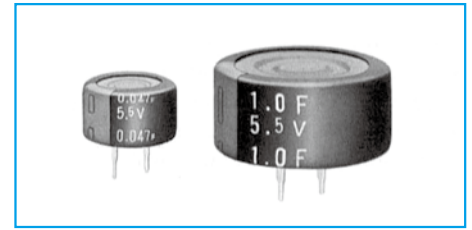
5.5V Wide Temperature Range Capacitors

GREEN CAP

85°C

- It is a category temperature range larger than battery.
- $\phi 13.5$ size can encase up to 0.22F, $\phi 21.5$ size can encase up to 1.0F.
- It excels in rapid charge.
- Ideal for backing up of CMOS IC's, microcomputers, RAM's, RTC's for smart meter, outdoor equipment, auto motive and industrial.

Wide temperature range



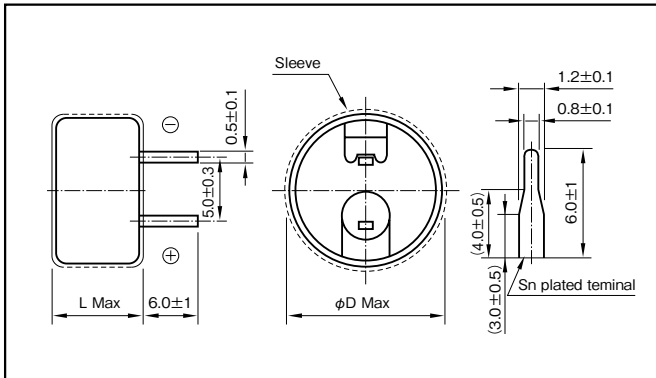
Marking color : White print on an indigo sleeve

Specifications

Item	Performance						
Category temperature range (°C)	-40 to +85						
Tolerance at rated capacitance (%)	-20 to +80						
Internal resistance at 1 kHz	Rated capacitance (F)	0.047	0.1	0.22	0.47	0.68	1
	Internal resistance (Ω Max.)	40	40	40	20	20	20
Characteristics at high and low temperature	Percentage of capacitance change	Within $\pm 30\%$ of the value at 20°C					
	Internal resistance	-40°C : Less than seven times of the value at 20°C 85°C : Less than five times of the value at 20°C					
Endurance (85°C)	Test time	1000 hours					
	Percentage of capacitance change	Within $\pm 30\%$ of the initial measured value					
	Internal resistance	Less than four times of the initial specified value					
Shelf life (85°C)	Test time : 1000 hours ; Same as endurance.						
Applicable standards	Conforms to JIS C5160-1 2009 (IEC 62391-1 2006)						

Outline Drawing

Unit : mm



Part numbering system (example : 5.5V0.1F)

DHL	—	5R5	D	104	T
Series code		Rated voltage symbol	Terminal code	Rated capacitance symbol	

Part number is refer to following table.

Standard Ratings

Max. operating voltage (V)	Rated capacitance (F)	ELNA Parts No.	$\phi D \times L$ (mm)
5.5	0.047	DHL-5R5D473T	13.5×9.5
5.5	0.1	DHL-5R5D104T	13.5×9.5
5.5	0.22	DHL-5R5D224T	13.5×9.5
5.5	0.47	DHL-5R5D474T	21.5×9.5
5.5	0.68	DHL-5R5D684T	21.5×9.5
5.5	1	DHL-5R5D105T	21.5×9.5

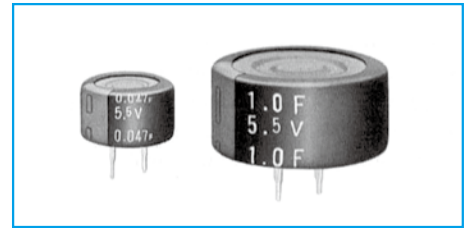
NOTE : Design, Specifications are subject to change without notice. It is recommended that you shall obtain technical specifications from ELNA to ensure that the component is suitable for your use.

5.5V High Temperature, Long Life Capacitors

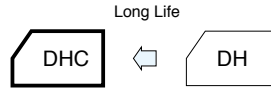
GREEN CAP

85°C

- Guarantees 3000 hours at 85°C, 5.5V (10 years at room temperature).
- It is a category temperature range larger than battery.
- It excels in rapid charge.
- Ideal for backing up of CMOS IC's, microcomputers, RAM's, RTC's for smart meter, outdoor equipment, auto motive and industrial.



Marking color : White print on a Black sleeve

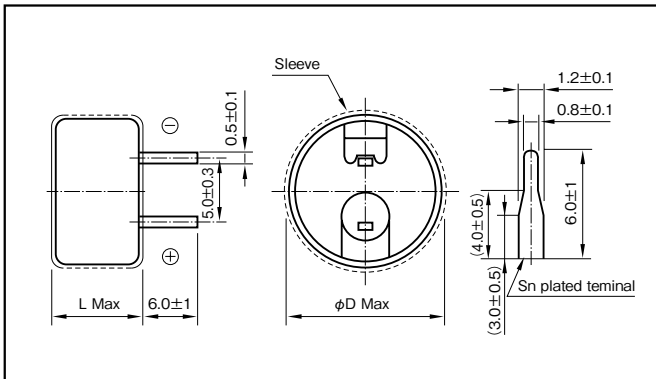


Specifications

Item	Performance							
Category temperature range (°C)	-25 to +85							
Tolerance at rated capacitance (%)	-20 to +80							
Internal resistance at 1 kHz	Rated capacitance (F)	0.047	0.1	0.22	0.47	0.68	1	
	Internal resistance (Ω Max.)	300	200	120	50	50	30	
Characteristics at high and low temperature	Percentage of capacitance change	Within ±30% of the value at 20°C						
	Internal resistance	less than five times of the value at 20°C						
Endurance (85°C)	Test time	3000 hours						
	Percentage of capacitance change	Within ±30% of the initial measured value						
	Internal resistance	Less than four times of the initial specified value						
Shelf life (85°C)	Test time : 1000 hours ; Same as endurance.							
Applicable standards	Conforms to JIS C5160-1 2009 (IEC 62391-1 2006)							

Outline Drawing

Unit : mm



Part numbering system (example : 5.5V0.1F)

DHC	—	5R5	D	104	T
Series code		Rated voltage symbol	Terminal code	Rated capacitance symbol	

Part number is refer to following table.

Standard Ratings

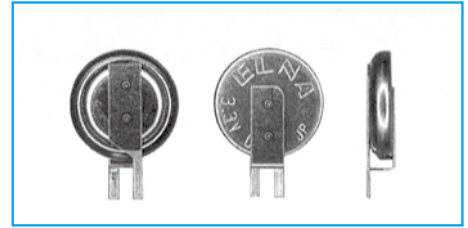
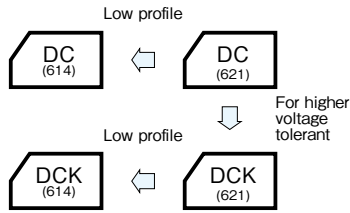
Max. operating voltage (V)	Rated capacitance (F)	ELNA Parts No.	φD×L (mm)
5.5	0.047	DHC-5R5D473T	13.5×9.5
5.5	0.1	DHC-5R5D104T	13.5×9.5
5.5	0.22	DHC-5R5D224T	13.5×9.5
5.5	0.47	DHC-5R5D474T	21.5×9.5
5.5	0.68	DHC-5R5D684T	21.5×9.5
5.5	1	DHC-5R5D105T	21.5×9.5

NOTE : Design, Specifications are subject to change without notice.
It is recommended that you shall obtain technical specifications from ELNA to ensure that the component is suitable for your use.

Coin Cell Capacitors



- Unlike batteries, the number of charging / discharging cycles unlimited and rapid charging / discharging is possible.
- High reliability, Safe and unlike secondary batteries, this is pollution free devices.
- 1.8mm height 614type made lineup in the DC, DCK Series.

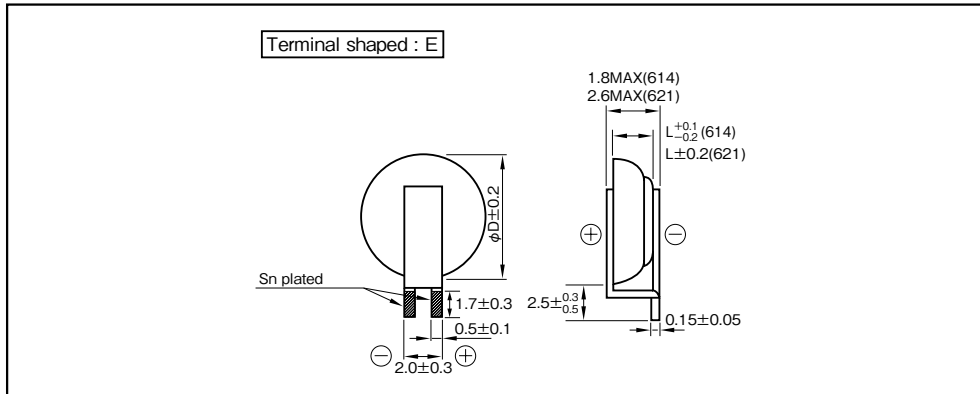


Specifications

Item	Performance					
Series Name	Series DC			Series DCK		
Max. operating voltage (V)	2.5			3.3		
Category temperature range (°C)	-25 to +70			-10 to +60		
Tolerance at rated capacitance (%)	-20 to +80			-20 to +80		
Internal resistance (Ω) at 1 kHz	Size code	614	621	Size code	614	621
	Rated capacitance (F)	0.2	0.4	Rated capacitance (F)	0.2	0.4
	Internal resistance (ΩMax.)	100	100	Internal resistance (ΩMax.)	200	200
Characteristics at high and low temperature	Size code	614	621	Size code	614	621
	Percentage of capacitance change	Within ±30% of the value at 20°C	Within ±30% of the value at 20°C	Percentage of capacitance change	Within ±50% of the value at 20°C	Within ±50% of the value at 20°C
	Internal resistance	Less than five times of the value at 20°C	Less than five times of the value at 20°C	Internal resistance	Less than five times the initial specified value	Less than five times of the value at 20°C
Endurance	Size code	614	621	Size code	614	621
	Test time and temp	70°C 1000 hours	70°C 500 hours	Test time and temp	60°C 1000 hours	60°C 500 hours
	Percentage of capacitance change	Within ±30% of the initial measured value	Within ±40% of the initial measured value	Percentage of capacitance change	Within ±30% of the initial measured value	Within ±40% of the initial measured value
	Internal resistance	1kΩ Max.	400Ω Max.	Internal resistance	2kΩ Max.	800Ω Max.
Shelf life	Same as endurance.			Same as endurance.		
Applicable standards	Conforms to JIS C5160-1 2009 (IEC 62391-1 2006)					

Outline Drawing

Unit : mm



Part numbering system (example : 614, 2.5V0.2F, terminal shaped : E)

DC	—	2R5	E	204	T 614	—	E
Series code		Max. operating voltage symbol		Rated capacitance symbol	Additional symbol		

Part number is refer to following table.

Part numbering system (example : 621, 3.3V0.4F, terminal shaped : E)

DCK	—	3R3	E	404	T	—	E
Series code		Max. operating voltage symbol		Rated capacitance symbol	Additional symbol		

Part number is refer to following table.

Standard Ratings

Max. operating voltage (V)	Rated capacitance (F)	ELNA Parts No.	φD×L (mm)
2.5	0.2	DC-2R5E204T614-E	6.8×1.4
3.3	0.2	DCK-3R3E204T614-E	6.8×1.4
2.5	0.4	DC-2R5E404T-E	6.8×2.1
3.3	0.4	DCK-3R3E404T-E	6.8×2.1

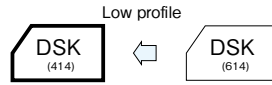
NOTE : Design, Specifications are subject to change without notice. It is recommended that you shall obtain technical specifications from ELNA to ensure that the component is suitable for your use.

Coin Cell Capacitors

GREEN CAP

70°C

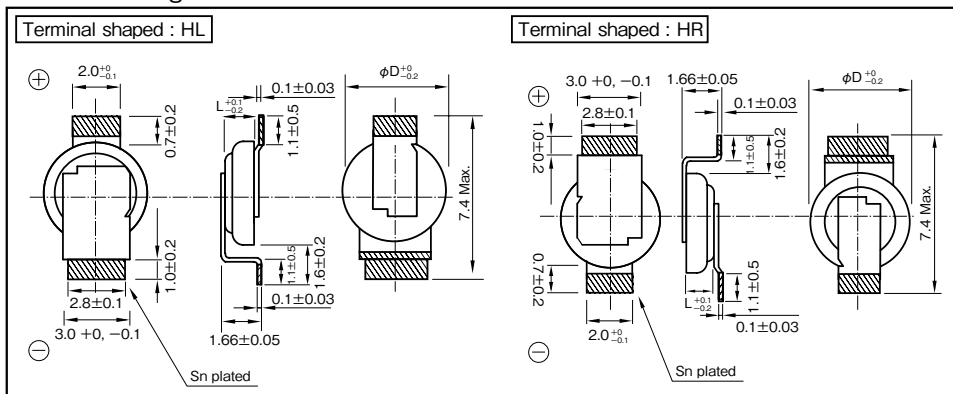
- Reflow soldering method available.
- Unlike batteries, the number of charging / discharging cycles unlimited and rapid charging / discharging is possible.
- Unlike batteries, excellent charge and discharge characteristics with no chemical reactions.
- $\phi 4.8 \times 1.71$ Lmm Max height type made lineup in the DSK series.



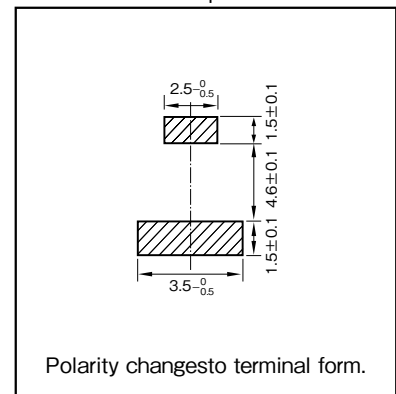
Specifications

Item	Performance	
Series name	series DSK	
Max. operating voltage (V)	3.3	
Category temperature range (°C)	-10 to +70	
Tolerance at rated capacitance (%)	-20 to +80	
Rated capacitance (F)	0.07	
Internal resistance (Ω Max.) at 1 kHz	100	
Characteristics at high and low temperature	Percentage of capacitance change	Within $\pm 50\%$ of the value at 20°C
	Internal resistance	Less than ten times of the initial specified value.
Endurance (70°C)	Test time	500 hours
	Percentage of capacitance change	Within $\pm 30\%$ of the initial measured value
	Internal resistance	5k Ω or less
Shelf life (70°C)	Test time : 500 hours ; Same as endurance.	
Applicable standards	Conforms to JIS C5160-1 2009 (IEC 62391-1 2006)	

Outline Drawing



Recommended land pattern size



*Please consult with us about other terminal form

Part numbering system (3.3V0.07F, terminal shaped : HL)

DSK	—	3R3	H	703	T414	—	HL	L
Series code	Max. operating voltage symbol	Rated capacitance symbol	Additional symbol	Terminal shaped	Taping symbol			

Part number is refer to following table.

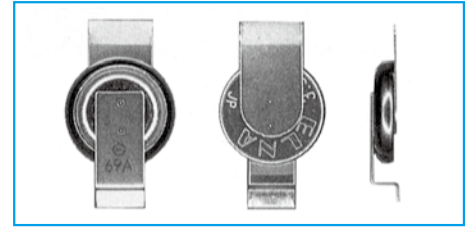
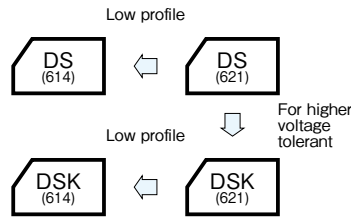
Standard Ratings

Max. operating voltage (V)	Rated capacitance (F)	ELNA Parts No.	$\phi D \times L$ (mm)
3.3	0.07	DSK-3R3H703T414-HLL	4.8×1.4
		DSK-3R3H703T414-HRL	

*Soldering conditions are described on page 191.

Coin Cell Capacitors GREEN CAP 60°C / 70°C

- Reflow soldering method available.
- Unlike batteries, the number of charging/ discharging cycles unlimited and rapid charging/ discharging is possible.
- Unlike batteries, excellent charge and discharge characteristics with no chemical reactions.
- 1.8mm height type 614 made lineup in the DS, DSK series.



Specifications

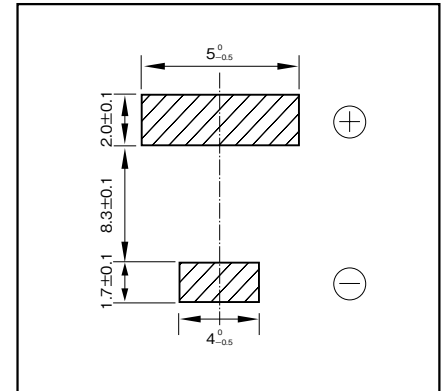
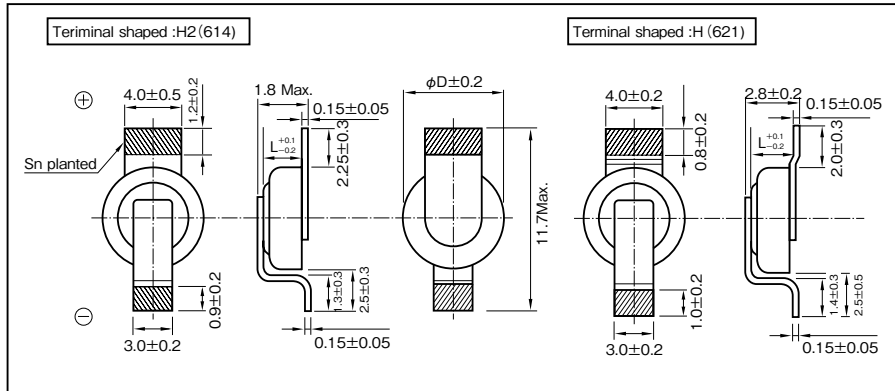
Item	Performance					
	Series DS			Series DSK		
Series Name	Series DS			Series DSK		
Max. operating voltage (V)	2.5			3.3		
Category temperature range (°C)	-25 to +70			-10 to +60		
Tolerance at rated capacitance (%)	-20 to +80			-20 to +80		
Internal resistance (Ω) at 1 kHz	Size code	614	621	Size code	614	621
	Rated capacitance (F)	0.2	0.33	Rated capacitance (F)	0.2	0.33
	Internal resistance (Ω Max.)	100	100	Internal resistance (Ω Max.)	200	200
Characteristics at high and low temperature	Size code	614	621	Size code	614	621
	Percentage of capacitance change	Within ±30% of the value at 20°C	Within ±30% of the value at 20°C	Percentage of capacitance change	Within ±50% of the value at 20°C	Within ±50% of the value at 20°C
	Internal resistance	Less than five times of the value at 20°C	Less than five times of the value at 20°C	Internal resistance	Less than five times of the initial specified value	Less than five times of the value at 20°C
Endurance	Size code	614	621	Size code	614	621
	Test time and temp.	70°C 1000 hours	70°C 500 hours	Test time and temp.	60°C 1000 hours	60°C 500 hours
	Percentage of capacitance change	Within ±30% of the initial measured value	Within ±30% of the initial measured value	Percentage of capacitance change	Within ±30% of the initial measured value	Within ±30% of the initial measured value
	Internal resistance	1kΩ Max.	400Ω Max.	Internal resistance	2kΩ Max.	800Ω Max.
Shelf life	Same as endurance.			Same as endurance.		
Applicable standards	Conforms to JIS C5160-1 2009(IEC 62391-1 2006)					

Outline Drawing

Unit : mm

Recommended land pattern size

Unit : mm



*Please consult with us about other terminal form.

Part numbering system (example : 614, 2.5V0.2F, terminal shaped : H2)								
DS	—	2R5	H	204	T614	—	H2	L
Series code	Max. operating voltage symbol	Rated capacitance symbol	Additional symbol	Terminal shaped	Taping symbol			

Part number is refer to following table.

Part numbering system (example:621, 3.3V0.33F, terminal shaped:H)								
DSK	—	3R3	H	334	T	—	H	L
Series code	Max. operating voltage symbol	Rated capacitance symbol	Additional symbol	Terminal shaped	Taping symbol			

Part number is refer to following table.

Standard Ratings

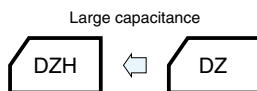
Max. operating voltage (V)	Rated capacitance (F)	ELNA Parts No.	φD×L (mm)
2.5	0.2	DS-2R5H204T614-H2L	6.8×1.4
3.3	0.2	DSK-3R3H204T614-H2L	6.8×1.4
2.5	0.33	DS-2R5H334T-HL	6.8×2.1
3.3	0.33	DSK-3R3H334T-HL	6.8×2.1

* Soldering conditions are described on page 191.

Standard, Large Capacitance Type Capacitors

GREEN CAP 60°C / 70°C 2.5V / 2.7V

- Pollution-Free ; with no pollutants such as Cd or Pb.
- Unlike batteries ; excellent charge and discharge characteristics with no chemical reactions



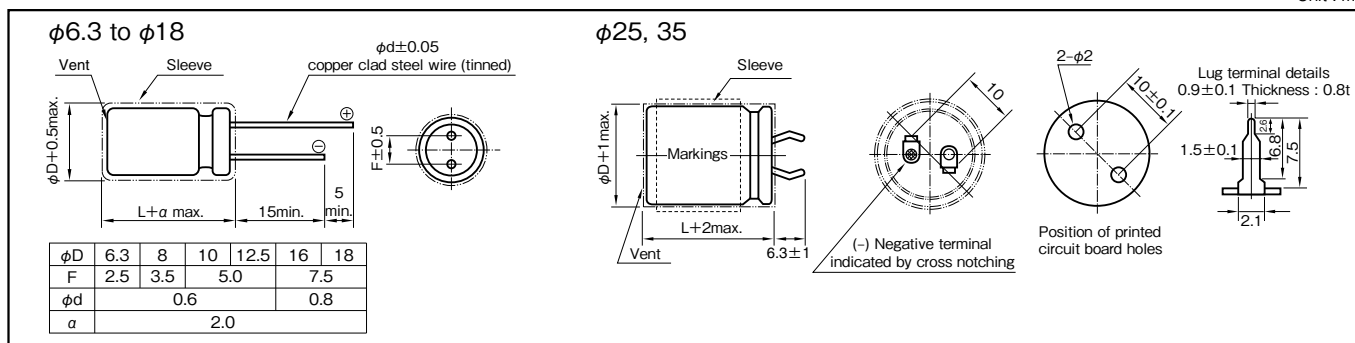
Marking color : White print on a black sleeve

Specifications

Item	Performance	
Series name	Series DZ	Series DZH
Category temperature range (°C)	-25 to +70	-25 to +60
Tolerance at rated capacitance (%)	-20 to +80	-20 to +80
Internal resistance at 1kHz	Refer to the following page	
Characteristics at high and low temperature	Percentage of capacitance change	Within ±30% of the value at 20°C
	Internal resistance	Less than five times of the value at 20°C
Endurance	Test temperature	70°C
	Test time	1000 hours
	Percentage of capacitance change	Within ±30% of the initial measured value
	Internal resistance	Less than four times of the initial specified value
Shelf life	Same as endurance	
Applicable standards	Conforms to JIS C5160-1 2009 (IEC 62391-1 2006)	

Outline Drawing

Unit : mm



Part numbering system (example : 2.5V10F)

DZ	—	2R5	D	106	(Z6)(S)	T	□
Series code		Max. operating voltage symbol	Terminal code	Rated capacitance symbol	Casing symbol		Taping (Forming) symbol

Part number is refer to the following page.

Standard Ratings (Series DZ 2.5V)

Max. operating voltage (V)	Rated capacitance (F)	Max. Leakage Current (mA) after 24h	ELNA Parts No.	φ D×L (mm)	Internal resistance (Ω max.) at 1kHz	Internal resistance (mΩ) at 1kHz (measurement value)
2.5	1	0.1	DZ-2R5D105F4T	6.3×14	1.0	400
2.5	1	0.1	DZ-2R5D105G3T	8×12	1.0	200
2.5	2.7	0.2	DZ-2R5D275G5ST	8×20	0.5	150
2.5	3.3	0.2	DZ-2R5D335H5T	10×20	0.3	70
2.5	4.7	0.3	DZ-2R5D475H5T	10×20	0.2	80
2.5	5.6	0.3	DZ-2R5D565H5T	10×20	0.2	70
2.5	6.8	0.4	DZ-2R5D685H6T	10×25	0.2	60
2.5	10	0.5	DZ-2R5D106H8T	10×35	0.2	40
2.5	10	0.5	DZ-2R5D106Z6ST	12.5×25	0.2	40
2.5	15	0.7	DZ-2R5D156Z8ST	12.5×35	0.2	35
2.5	15	0.7	DZ-2R5D156J5T	16×20	0.2	35
2.5	22	0.8	DZ-2R5D226J6T	16×25	0.2	30
2.5	33	0.8	DZ-2R5D336J8T	16×35.5	0.2	30
2.5	40	0.8	DZ-2R5D406K9T	18×40	0.2	30
2.5	50	1.0	DZ-2R5D506T	25×40	0.08	20
2.5	100	1.0	DZ-2R5D107S37T	25×50	0.08	15
2.5	200	2.0	DZ-2R5D207S57T	35×50	0.08	15

We tailor packaged product in series and parallel arrangements according to voltage and capacitance as required.

Standard Ratings (Series DZ 2.7V)

Max. operating voltage (V)	Rated capacitance (F)	Max. Leakage Current (mA) after 24h	ELNA Parts No.	φ D×L (mm)	Internal resistance (Ω max.) at 1kHz	Internal resistance (mΩ) at 1kHz (measurement value)
2.7	1	0.2	DZ-2R7D105F4T	6.3×14	1.0	400
2.7	1	0.2	DZ-2R7D105G3T	8×12	1.0	200
2.7	2.7	0.3	DZ-2R7D275G5ST	8×20	0.5	150
2.7	3.3	0.3	DZ-2R7D335H5T	10×20	0.3	70
2.7	4.7	0.4	DZ-2R7D475H5T	10×20	0.2	80
2.7	5.6	0.4	DZ-2R7D565H5T	10×20	0.2	70
2.7	6.8	0.5	DZ-2R7D685H6T	10×25	0.2	60
2.7	10	0.6	DZ-2R7D106H8T	10×35	0.2	40
2.7	10	0.6	DZ-2R7D106Z6ST	12.5×25	0.2	40
2.7	15	0.8	DZ-2R7D156Z8ST	12.5×35	0.2	35
2.7	15	0.8	DZ-2R7D156J6T	16×25	0.2	35
2.7	22	1.0	DZ-2R7D226J7T	16×31.5	0.2	30
2.7	33	1.0	DZ-2R7D336J9T	16×40	0.2	30

We tailor packaged product in series and parallel arrangements according to voltage and capacitance as required.

Standard Ratings (Series DZH 2.5V)

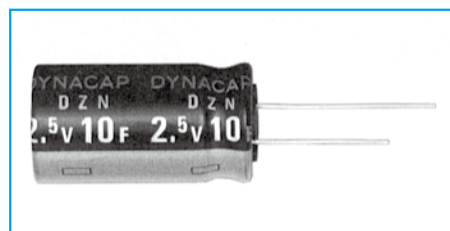
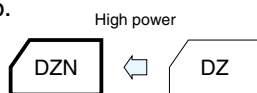
Max. operating voltage (V)	Rated capacitance (F)	Max. Leakage Current (mA) after 24h	ELNA Parts No.	φ D×L (mm)	Internal resistance (Ω max.) at 1kHz	Internal resistance (mΩ) at 1kHz (measurement value)
2.5	22	0.8	DZH-2R5D226Z8ST	12.5×35	0.2	55
2.5	50	1.0	DZH-2R5D506K9T	18×40	0.08	30
2.5	100	2.0	DZH-2R5D107S35T	25×40	0.08	20
2.5	300	5.0	DZH-2R5D307S57T	35×50	0.08	15

We tailor packaged product in series and parallel arrangements according to voltage and capacitance as required.

High Power Type Capacitors

GREEN CAP 70 °C Low ESR 2.5V / 2.7V

- Low internal resistance allows boosting charge and heavy-current discharge. (ampere level)
- Pollution-Free ; with no pollutants such as Cd or Pb.
- Unlike batteries, excellent charge and discharge characteristics with no chemical reaction



Marking color : White print on a blue sleeve

Specifications

Item	Performance	
Category temperature range (°C)	-25 to +70	
Tolerance at rated capacitance (%)	-20 to +80	
Internal resistance at 1 kHz	Refer to the following page	
Characteristics at high and low temperature	Percentage of capacitance change	Within ±30% of the value at 20°C
	Internal resistance	Less than five times of the value at 20°C
Endurance (70°C)	Test time	1000 hours
	Percentage of capacitance change	Within ±30% of the initial measured value
	Internal resistance	Less than four times of the initial specified value
Shelf life (70°C)	Test time : 1000 hours ; Same as endurance.	
Applicable standards	Conforms to JIS C5160-1 2009 (IEC 62391-1 2006)	

Outline Drawing

Unit : mm

φD	6.3	8	10	12.5	16	18
F	2.5	3.5	5.0		7.5	
φd	0.6			0.8		
a	2.0					

Part numbering system (example : 2.5V10F)

DZN	—	2R5	D	106	(Z6)(S)	T	—	□
Series code		Max. operating voltage symbol	Terminal code	Rated capacitance symbol	Casing symbol			Taping (Forming) symbol

Part number is refer to the following page.

Standard Ratings (Series DZN 2.5V)

Max. operating voltage (V)	Rated capacitance (F)	Max. Leakage Current (mA) after 24h	ELNA Parts No.	φ D×L (mm)	Internal resistance (Ω max.) at 1kHz	Internal resistance (mΩ max.) (DCR)
2.5	1	0.1	DZN-2R5D105F4T	6.3×14	0.4	1500
2.5	1	0.1	DZN-2R5D105G3T	8×12	0.3	1000
2.5	2.7	0.2	DZN-2R5D275G5ST	8×20	0.3	500
2.5	3.3	0.2	DZN-2R5D335H5T	10×20	0.2	350
2.5	4.7	0.3	DZN-2R5D475H5T	10×20	0.1	400
2.5	5.6	0.3	DZN-2R5D565H5T	10×20	0.1	350
2.5	6.8	0.4	DZN-2R5D685H6T	10×25	0.1	300
2.5	10	0.5	DZN-2R5D106H8T	10×35	0.1	200
2.5	10	0.5	DZN-2R5D106Z6ST	12.5×25	0.1	200
2.5	15	0.7	DZN-2R5D156Z8ST	12.5×35	0.1	150
2.5	15	0.7	DZN-2R5D156J5T	16×20	0.1	150
2.5	22	0.8	DZN-2R5D226J6T	16×25	0.1	120
2.5	33	0.8	DZN-2R5D336J8T	16×35.5	0.1	100
2.5	40	0.8	DZN-2R5D406K9T	18×40	0.1	75
2.5	50	1.0	DZN-2R5D506T	25×40	0.03	60
2.5	100	1.0	DZN-2R5D107S37T	25×50	0.03	50
2.5	200	2.0	DZN-2R5D207S57T	35×50	0.03	40

We tailor packaged product in series and parallel arrangements according to voltage and capacitance as required.

Standard Ratings (Series DZN 2.7V)

Max. operating voltage (V)	Rated capacitance (F)	Max. Leakage Current (mA) after 24h	ELNA Parts No.	φ D×L (mm)	Internal resistance (Ω max.) at 1kHz	Internal resistance (mΩ max.) (DCR)
2.7	1	0.2	DZN-2R7D105F4T	6.3×14	0.4	1500
2.7	1	0.2	DZN-2R7D105G3T	8×12	0.3	1000
2.7	2.7	0.3	DZN-2R7D275G5ST	8×20	0.3	500
2.7	3.3	0.3	DZN-2R7D335H5T	10×20	0.2	350
2.7	4.7	0.4	DZN-2R7D475H5T	10×20	0.1	400
2.7	5.6	0.4	DZN-2R7D565H5T	10×20	0.1	350
2.7	6.8	0.5	DZN-2R7D685H6T	10×25	0.1	300
2.7	10	0.6	DZN-2R7D106H8T	10×35	0.1	200
2.7	10	0.6	DZN-2R7D106Z6ST	12.5×25	0.1	200
2.7	15	0.8	DZN-2R7D156Z8ST	12.5×35	0.1	150
2.7	15	0.8	DZN-2R7D156J6T	16×25	0.1	150
2.7	22	1.0	DZN-2R7D226J7T	16×31.5	0.1	120
2.7	33	1.0	DZN-2R7D336J9T	16×40	0.1	100

We tailor packaged product in series and parallel arrangements according to voltage and capacitance as required.

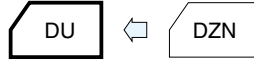
High Power, For Low Temperature Type Capacitors

GREEN CAP 65°C 2.7V For -40°C

- For Low Temperature (-40°C).
- Pollution-Free ; with no pollutants such as Cd or Pb.
- Unlike batteries, excellent charge and discharge characteristics with no chemical reaction.



For low temperature



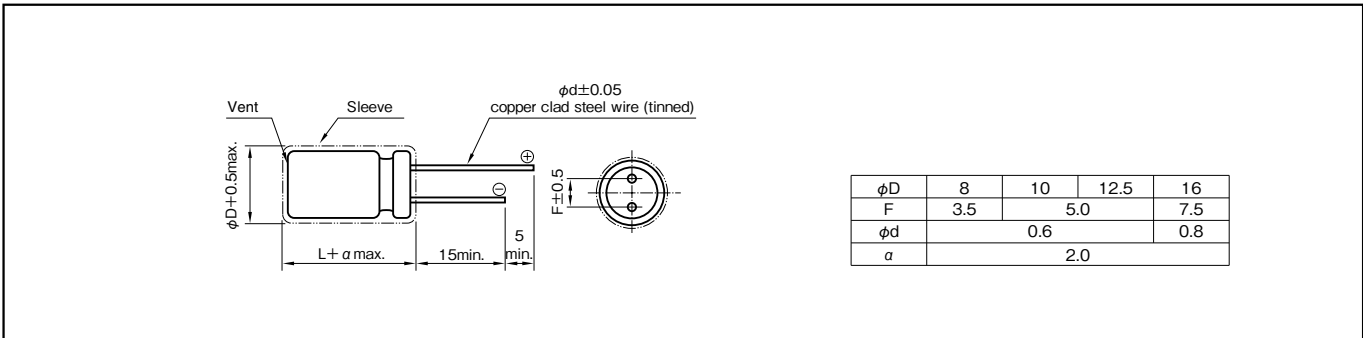
Marking color : White print on a brown sleeve

Specifications

Item	Performance	
Category temperature range (°C)	-40 to +65	
Tolerance at rated capacitance (%)	-20 to +80	
Internal resistance at 1 kHz	Refer to the Standard Ratings	
Characteristics at high and low temperature	Percentage of capacitance change	Within ±30% of the value at 20°C
	Internal resistance	Less than three times of the value at 20°C
Endurance (65°C)	Test time	1000 hours
	Percentage of capacitance change	Within ±30% of initial measured value
	Internal resistance	Less than three times of the initial specified value
Shelf life (65°C)	Test time : 1000 hours ; same as endurance.	
Applicable standards	Conforms to JIS C5160-1 2009 (IEC 62391-1 2006)	

Outline Drawing

Unit : mm



Part numbering system (example : 2.7V10F)

DU	—	2R7	D	106	H7	T	—	
Series code		Max. operating voltage symbol	Terminal code	Rated capacitance symbol	Casing symbol			Taping (Forming) symbol

Part number is refer to the following table.

Standard Ratings

Max. operating voltage (V)	Rated capacitance (F)	Max. Leakage Current (mA) after 24h	ELNA Parts No.	φ D×L (mm)	Internal resistance (mΩ max.) at 1kHz	Internal resistance (mΩ max.) (DCR)
2.7	1	0.2	DU-2R7D105G3T	8×12	250	700
2.7	3.3	0.3	DU-2R7D335G5T	8×20	75	200
2.7	6.8	0.5	DU-2R7D685H5T	10×20	60	120
2.7	10	0.6	DU-2R7D106H7T	10×30	50	75
2.7	15	0.8	DU-2R7D156Z6T	12.5×25	35	60
2.7	25	1.0	DU-2R7D256J6T	16×25	25	42
2.7	33	1.0	DU-2R7D336J7T	16×31.5	20	35

For Low Temperature Type Capacitors

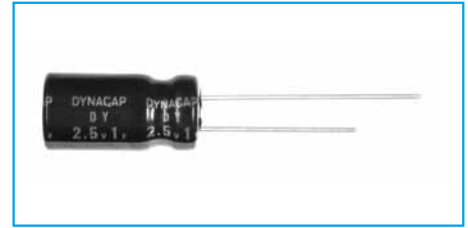
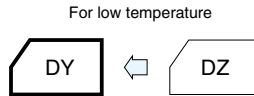
GREEN CAP

70°C

2.5V

For -40°C

- For Low Temperature (-40°C).
- Pollution-Free ; with no pollutants such as Cd or Pb.
- Unlike batteries, excellent charge and discharge characteristics with no chemical reaction.



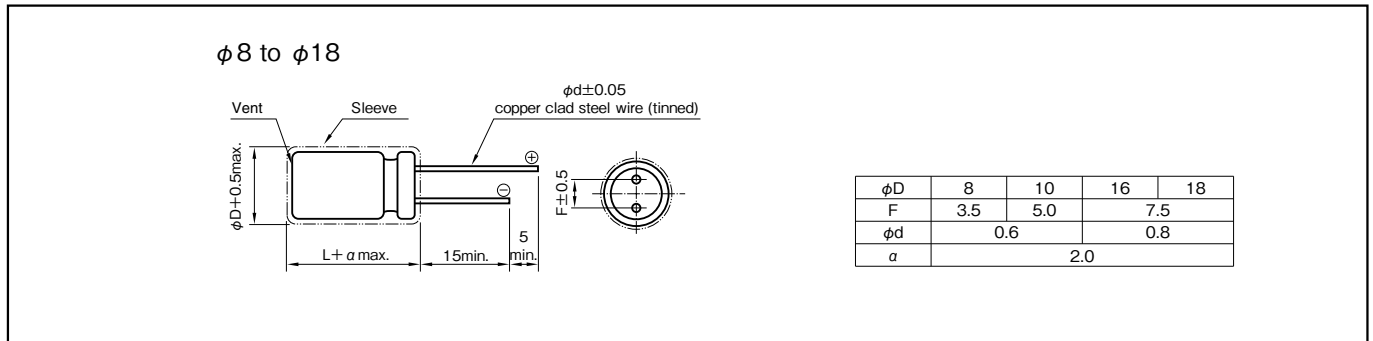
Marking color : White print on a brown sleeve

Specifications

Item	Performance	
Category temperature range (°C)	-40 to +70	
Tolerance at rated capacitance (%)	-20 to +80	
Internal resistance at 1 kHz	Refer to the Standard Ratings	
Characteristics at high and low temperature	Percentage of capacitance change	
	Internal resistance	
	Test time	1000 hours
	Percentage of capacitance change	Within ±30% of initial measured value
Endurance (70°C)	Internal resistance	Less than four times of the initial specified value
	Shelf life (70°C)	Test time : 1000 hours ; Same as endurance.
Applicable standards	Conforms to JIS C5160-1 2009 (IEC 62391-1 2006)	

Outline Drawing

Unit : mm



Part numbering system (example : 2.5V10F)

DY	—	2R5	D	106	(H8)(S)	T	—	□
Series code		Max. operating voltage symbol	Terminal code	Rated capacitance symbol	Casing symbol			Taping (Forming) symbol

Part number is refer to the following table.

Standard Ratings

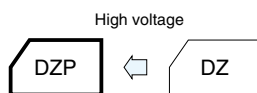
Max. operating voltage (V)	Rated capacitance (F)	Max. Leakage Current (mA) after 24h	ELNA Parts No.	φD×L (mm)	Internal resistance (Ω max.) at 1kHz	Internal resistance (mΩ) at 1kHz (measurement value)
2.5	1	0.1	DY-2R5D105G3T	8×12	1	200
2.5	2.7	0.2	DY-2R5D275G5ST	8×20	0.5	120
2.5	3.3	0.2	DY-2R5D335H5T	10×20	0.3	60
2.5	4.7	0.3	DY-2R5D475H5T	10×20	0.2	70
2.5	5.6	0.3	DY-2R5D565H5T	10×20	0.2	70
2.5	6.8	0.4	DY-2R5D685H6T	10×25	0.2	50
2.5	10	0.5	DY-2R5D106H8T	10×35	0.2	35
2.5	10	0.5	DY-2R5D106Z6ST	12.5×25	0.2	35
2.5	15	0.7	DY-2R5D156Z8ST	12.5×35	0.2	30
2.5	15	0.7	DY-2R5D156J5T	16×20	0.2	30
2.5	22	0.8	DY-2R5D226J6T	16×25	0.2	25
2.5	33	0.8	DY-2R5D336J8T	16×35.5	0.2	25
2.5	40	0.8	DY-2R5D406K9T	18×40	0.2	25

NOTE : Design, Specifications are subject to change without notice. It is recommended that you shall obtain technical specifications from ELNA to ensure that the component is suitable for your use.

Packed Type Capacitors

GREEN CAP 70°C 5.0V

- High-voltage capacitor which connected DZ in series.
- Pollution-Free ; with no pollutants such as Cd or Pb.
- Unlike batteries, excellent charge and discharge characteristics with no chemical reaction.



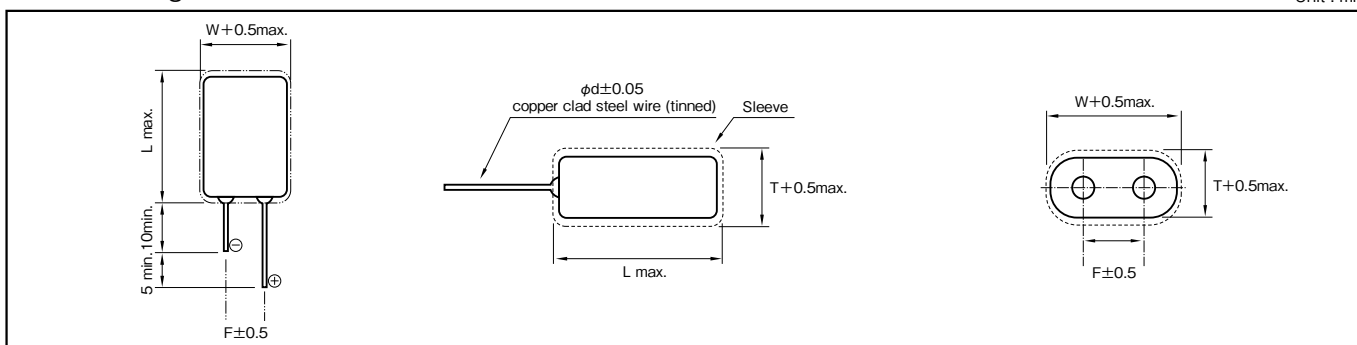
Marking color : White print on a blue sleeve

Specifications

Item	Performance	
Category temperature range (°C)	-25 to +70	
Tolerance at rated capacitance (%)	-20 to +80	
Internal resistance at 1 kHz	Refer to the Standard Ratings	
Characteristics at high and low temperature	Percentage of capacitance change	Within ±30% of the value at 20°C
	Internal resistance	Less than five times of the value at 20°C
Endurance (70°C)	Test time	1000 hours
	Percentage of capacitance change	Within ±30% of the initial measured value
	Internal resistance	Less than four times of the initial specified value
Shelf life (70°C)	Test time : 1000hours ; same as endurance.	
Applicable standards	Conforms to JIS C5160-1 2009 (IEC 62391-1 2006)	

Outline Drawing

Unit : mm



Part numbering system (example : 5.0V0.47F)					
DZP	—	5	V	474	G3 () NT (S1)
Series code	Max. operating voltage symbol	Rated capacitance symbol	Casing symbol	Additional code	

Part number is refer to the following table.

Standard Ratings

Max. operating voltage (V)	Rated capacitance (F)	Max. Leakage Current (mA) after 24h	ELNA Parts No.	T×W×L (mm)	φd	F	Internal resistance (Ω max.) at 1kHz	Internal resistance (mΩ) at 1kHz (measurement value)
5.0	0.47	0.2	DZP-5V474G3NTS1A	8.5×17.0×16.0	0.6	5.1	0.6	300
			DZP-5V474G3NTS1B			12.1		
5.0	1.0	0.3	DZP-5V105G5SNTA	8.5×17.0×24.0	0.6	5.1	0.6	240
			DZP-5V105G5SNTB			12.1		
5.0	1.5	0.4	DZP-5V155G5SNTA	8.5×17.0×24.0	0.6	5.1	0.6	200
			DZP-5V155G5SNTB			12.1		
5.0	3.3	0.8	DZP-5V335H7NTS1A	10.5×21.0×34.0	0.6	5.5	0.2	80
			DZP-5V335H7NTS1B			15.5		
5.0	4.7	1.0	DZP-5V475H8NTS1A	10.5×21.0×39.0	0.6	5.5	0.2	70
			DZP-5V475H8NTS1B			15.5		

NOTE : Design, Specifications are subject to change without notice. It is recommended that you shall obtain technical specifications from ELNA to ensure that the component is suitable for your use.

Large Capacitance, High Power Type Capacitors

GREEN CAP

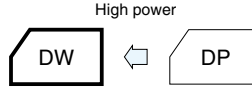
65 °C

2.7V

- Because it is large capacitance and low resistance, most suitable for such as energy regeneration, and a large current discharge use.
- Pollution-Free ; with no pollutants such as Cd or Pb.
- Unlike batteries, excellent charge and discharge characteristics with no chemical reaction.



Marking color : White print on a black sleeve

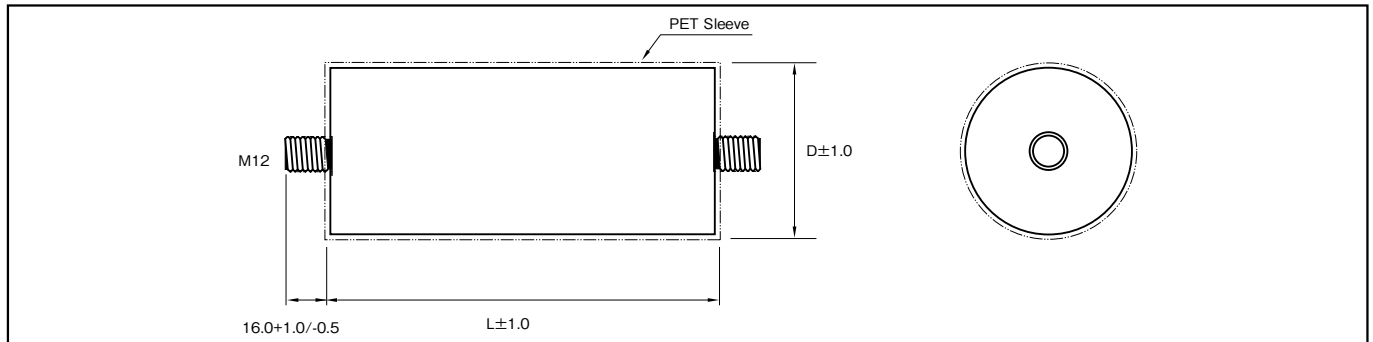


Specifications

Item	Performance	
Category temperature range (°C)	-40 to +65	
Tolerance at rated capacitance (%)	0 to +30	
Internal resistance (DCR)	Refer to the Standard Ratings	
Characteristics at high and low temperature	Percentage of capacitance change	Within ±30% of the value at 20°C
	Internal resistance (DCR)	Less than three times of the value at 20°C
Endurance (65°C)	Test time	1500 hours
	Percentage of capacitance change	Within ±20% of the initial measured value
	Internal resistance (DCR)	Less than three times of the initial specified value
Shelf life (65°C)	Test time : 1500hours ; same as endurance.	
Applicable standards	Conforms to JIS C5160-1 2009 (IEC 62391-1 2006)	

Outline Drawing

Unit : mm



Part numbering system (example : 2.7V3000F)

DW	—	2R7	D	308	DE0	T
Series code		Max. operating voltage symbol		Rated capacitance symbol	Casing symbol	

Part number is refer to the following table.

Standard Ratings

Max. operating voltage (V)	Rated capacitance (F)	ELNA Parts No.	φD×L (mm)	Internal resistance (mΩ max.) (DCR)
2.7	3000	DW-2R7D308DE0T	61×138	0.29

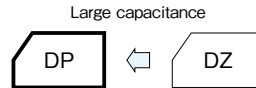
NOTE : Design, Specifications are subject to change without notice. It is recommended that you shall obtain technical specifications from ELNA to ensure that the component is suitable for your use.

Large Capacitance, High Energy Type Capacitors

GREEN CAP

60°C

- Most suitable for energy storage with large capacitance.
- Terminals arranged in the same orientation provide easy connection.
- Unlike batteries, safe and high reliability without containing active and hazardous substances.
- Unlike batteries, excellent charge and discharge characteristics with no chemical reactions.



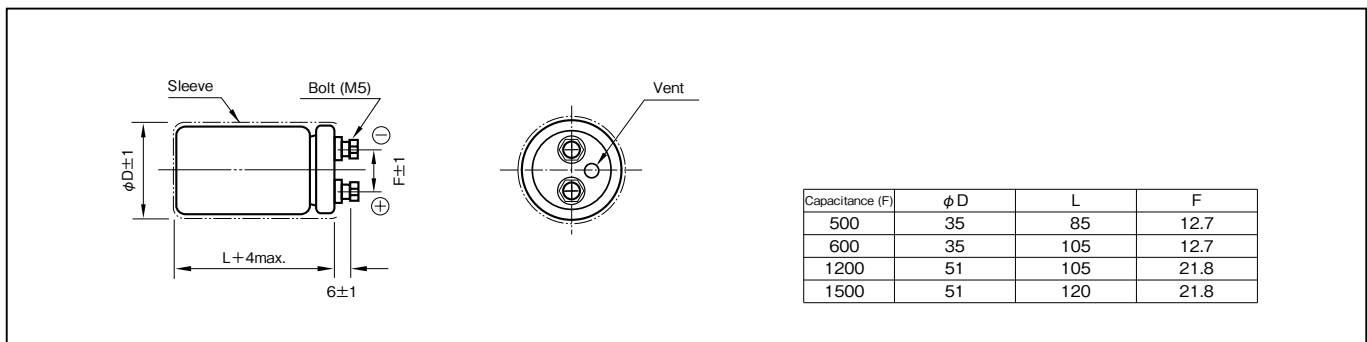
Marking color : White print on a black sleeve

Specifications

Item	Performance				
Category temperature range (°C)	-25 to +60				
Tolerance at rated capacitance (%)	-20 to +20				
Internal resistance at 1 kHz	Rated capacitance (F)	500	600	1200	1500
	Internal resistance (mΩ Max.)	12	10	10	10
Characteristics at high and low temperature	Percentage of capacitance change	Within ±30% of value at 20°C			
	Internal resistance	Less than five times of the value at 20°C			
Endurance (60°C)	Test time	2000 hours			
	Percentage of capacitance change	Within ±30% of the initial measured value			
	Internal resistance	Less than four times of the initial specified value			
Shelf life (60°C)	Test time : 2000 hours ; Same as endurance.				
Applicable standards	Conforms to JIS C5160-1 2009 (IEC 62391-1 2006)				

Outline Drawing

Unit : mm



Part numbering system (example : 2.5V600F)

DP	—	2R5	D	607	AA5
Series code		Max.operating voltage symbol		Rated capacitance symbol	Casing symbol

Part number is refer to the following table.

Standard Ratings

Max. operating voltage (V)	Rated capacitance (F)	ELNA Parts No.	φD×L (mm)	*Internal resistance (mΩ) at 1kHz (measurement value)
2.5	500	DP-2R5D507A85	35× 85	4.0
2.5	600	DP-2R5D607AA5	35×105	3.2
2.5	1200	DP-2R5D128CA5	51×105	3.0
2.5	1500	DP-2R5D158CC0	51×120	3.0

* Internal resistance are not guaranteed values, but measurement value.

We tailor packaged product in series and parallel arrangements according to voltage and capacitance as required.

NOTE : Design, Specifications are subject to change without notice. It is recommended that you shall obtain technical specifications from ELNA to ensure that the component is suitable for your use.

1 Description of Electric Double Layer Capacitor

1-1 Basic Concepts

Generally capacitors are constructed with a dielectric placed between opposed electrodes, functioning as capacitors by accumulating charges in the dielectric material. Aluminum electrolytic and tantalum electrolytic capacitors, for example, use an aluminum oxide film and a tantalum oxide film as the dielectric, respectively.

On the other hand, Electric Double Layer Capacitors have no visible dielectric in a general sense but utilize the state referred to as the electric double layer, which is developed naturally on the interface between substances, as the function of dielectric.

1-2 Operating Principle

The Electric Double Layer represents the state in which positive and negative charges exist at a very short distance on the boundary where contact occurs between two different substances (e.g. solid and liquid). By externally applying a voltage below a certain voltage to the boundary, higher charges can be accumulated. Accordingly, charge and discharge of electric double layer capacitors utilize adsorption and desorption of ions to the ionic adsorption layer (Electric Double Layer) formed on the electrode surface of the activated carbon used for electrodes.

Applying DC voltage externally across the electrodes of the Electric Double Layer allows almost no passage of current up to a certain voltage, exhibiting a condition like insulation.

However, the application of voltages exceeding the certain voltage causes electrolysis to occur in the electrolyte, resulting in abrupt passage of current.

This voltage determines the resistance of voltage of an Electric Double Layer Capacitor. We use an organic electrolyte and its standard electrolysis occurs at the voltage of about 2.5 to 3V.

1-3 Advantages and Disadvantages of Electric Double Layer Capacitor

[Advantages]

- (1) Small size and capacitance in farads (F) available by utilizing the activated carbon electrode with a large surface area
- (2) No special charging circuit and constrains during discharge are required.
- (3) No effect on the life through overcharging and overdischarging
- (4) Environmentally clean energy

[Disadvantage]

- (1) The life is limited due to the use of electrolyte.
- (2) Series connection is required when used with a low resistance of voltage at a high voltage.
- (3) Cannot be used in AC circuits due to high internal resistance unlike aluminum electrolytic capacitors.

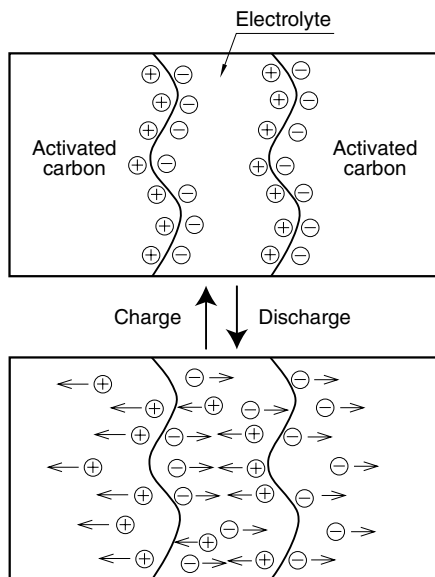


Fig.1 Schematic of Principle of Electric Double Layer Capacitor

1-4 Construction of DYNACAP

The series which consists of coin cells is similar to that of coin-type batteries as shown in Fig.2. DYNACAP contains a single cell or two to three cells stacked in series.

Since these series have a large electrode-to-electrode distance and a small electrode area exhibiting a large internal resistance, they are suitable for the memory backup application that involves microcurrent discharge.

The cylindrical cell construction as seen in the DZ and DZN series has the construction similar to that of aluminum electrolytic capacitors as shown in Fig.3.

These series have a small electrode-to-electrode distance, allowing a large electrode area because of the winding structure. This decreases the internal resistance, which is primary suitable for applications requiring high-power such as motor drive and LED lighting that need high currents.

2 Description of Life Expectancy

Generally, the life of Electric Double Layer Capacitors is largely affected by the ambient temperature.

The expected life is approximated by the equation as shown below:

$$L = L_0 \times 2 \left(\frac{T_0 - T}{10} \right)$$

Where,

- L : Expected lifetime at temperature T
- L₀ : Lifetime at temperature T₀
- T : Expected working temperature
- T₀ : Upper category temperature

Note that the above equation does not cover charge and discharge. In the case of charge and discharge, heat generation occurs inside a capacitor; the temperature rise by this heat generation must also be considered.

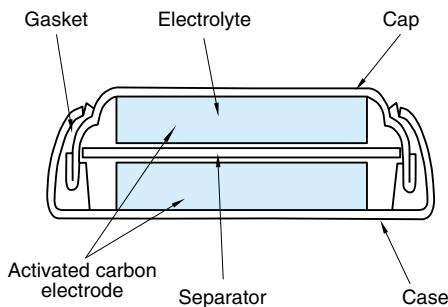


Fig.2 Example of Basic Construction of Coin Cell

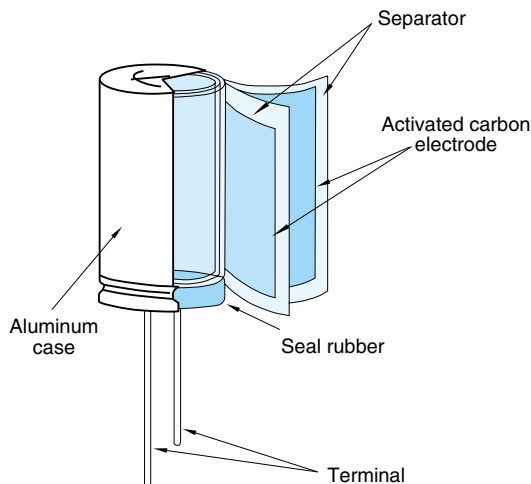


Fig.3 Example of Basic Construction of Cylindrical Cell

3 Calculation Method of Discharge Time

3-1 Approximating the Discharge Time of Basic Constant Current Discharge

The discharge time at the constant current of a capacitor can be calculated by the following equation.

$$t = (C \times \Delta V) / I$$

Where,

- t : Discharge time (sec.)
- C : Capacitor capacitance (F)
- ΔV : Working voltage range (V)
- I : Discharge current (A)

As an example, we calculate the discharge time when a capacitor of the DB series 5.5V 1F is charged with 5V and discharged to 3V at a constant current of 1 mA. Since the working voltage range ΔV is 2V from 5 – 3V, $t = (1F \times 2V) / 0.001A$ from the above equation, and the discharge time can be calculated as 2,000 seconds (about 33 minutes). Note that the actual discharge time may be different because this equation does not cover the effect of the self-discharge and the IR drop by internal resistance described below.

3-2 Effect of Self-discharge at Microcurrents

When backup is made by discharge with a micro-current below some μA especially for the memory backup application and the like, the discharge time must be determined while taking into account the self-discharge as shown in Fig.4.

The value closer to the actual discharge curve is obtained by adding the voltage drop through the self-discharge determined from the voltage retention characteristic test to the discharge curve given by calculation.

Note that the value of self-discharge varies by the charge time, charging current and an ambient temperature.

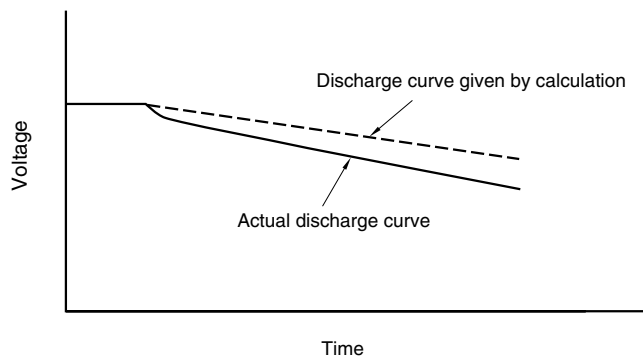


Fig.4 Example of Discharge Curve involving Self-Discharge

3-3 Effect of IR Drop at Large Currents

When a large Current discharge and a capacitor with a high internal resistance are used, the effect of IR drop by the product of the internal resistance and the current must be considered as shown in Fig.5.

When a large current is required in a very short time, or a large instantaneous current flows at the start of discharge, the voltage drop indicated with ΔV1 counts. However, when the discharge continues as it is, the discharge curve indicates in a manner showing a slow diffusion and then keeps a constant straight line.

We also make calculation including ΔV2 of the intersection extending from the initial discharge and the discharge straight line section including the diffusion curve when indicating the DC internal resistance.

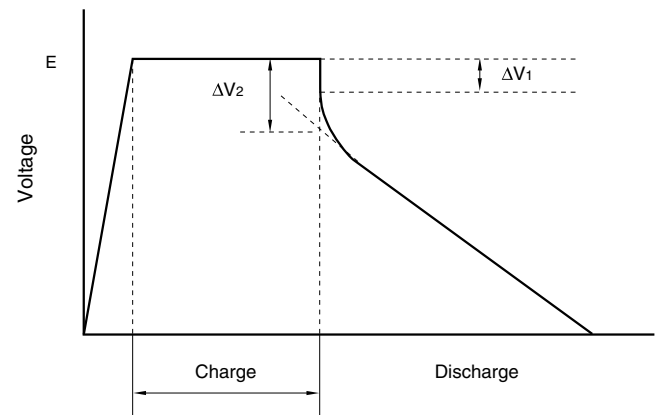


Fig.5 Example of Discharge Curve involving IR Drop

Due to IR drop, the shape of the discharge curve varies by the internal resistance and ambient temperature for each series.

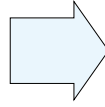
4 Series-parallel connection packaged products.

Electric Double Layer Capacitors have a low operating voltage per cell.

To deal with this, ELNA is ready to offer series packaging for high operating voltages to meet to various needs.

Please consult with us on optimization and design.

Packaged item



Example of packaged item

In case of a low voltage (up to about 24 V) for the DZ and DZN series with relatively low capacitance, we are preparing simple packaged products.

No full-scale voltage equalization circuit has been equipped yet, but comparatively low cost and flexible layout can be realized.

5 Moisture-proof provision

If a electric double layer capacitor is used in a heat-and-high-humidity environment, the characteristic will deteriorate.

We can improve the durability in heat-and-high-humidity environment by coating of special resin.

Please consult about resin coating.

6 Regarding Recovery Voltage

After charging and then discharging the electric double layer capacitor, and further causing short-circuit to the terminals and leave them alone, the voltage between the two terminals will rise again after some interval. This voltage is called recovery voltage.

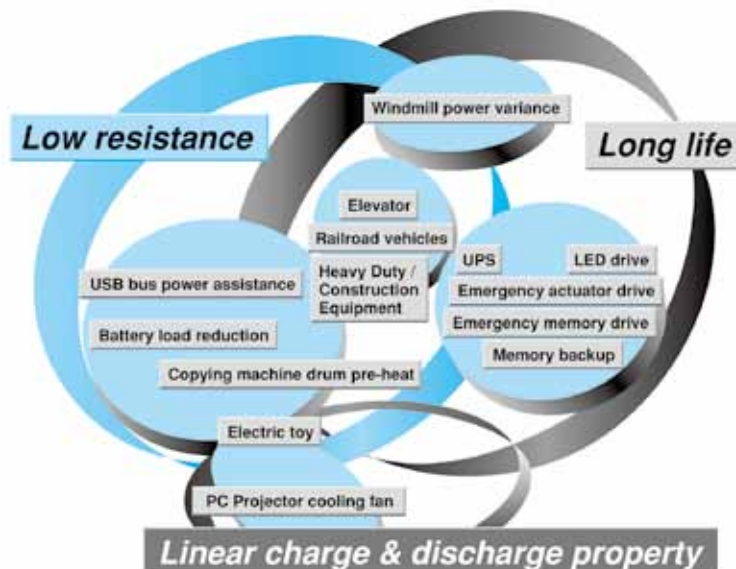
This voltage may cause the bad influence to the low-voltage driven components (CPU, memory, etc.) or damage of the capacitor with soldering.

Discharging before use is safer. It is important especially when using it by series connection.

Moreover, it is possible making the terminals in short-circuit condition at the production stage. Please consult us for adequate procedures.

7 Applications

Features & Benefits of Electric Double Layer Capacitor



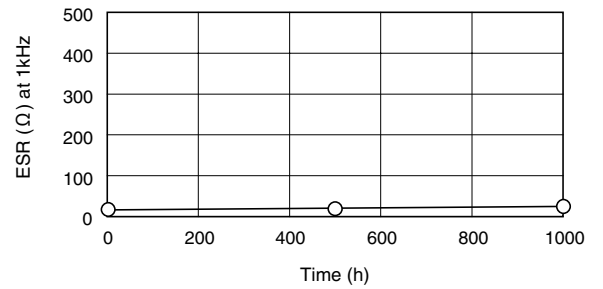
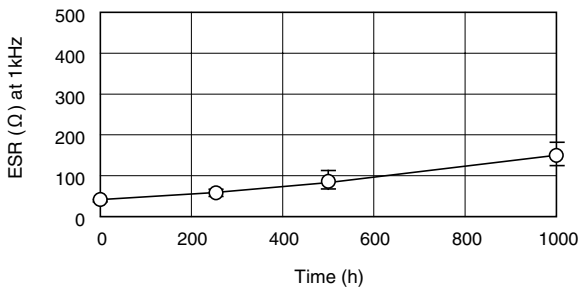
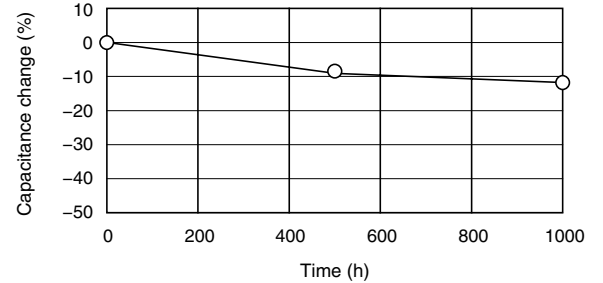
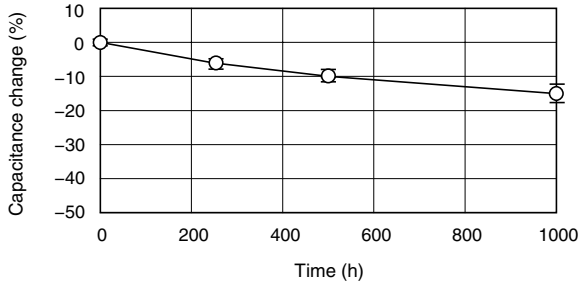
7 Electric Characteristics Data

7-1 Coin type for memory back-up

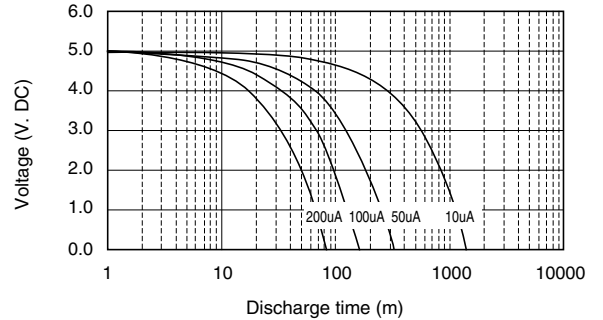
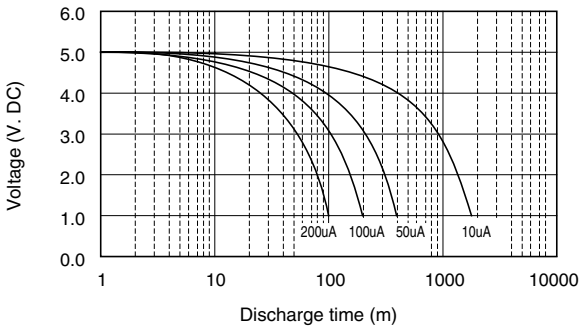
DYNACAP Series DXJ
5.5V 0.33F/DXJ-5R5H334 φ11.5×5L (mm)

DYNACAP Series DHL
5.5V 0.22F/DHL-5R5D224T φ13.5×9.5L (mm)

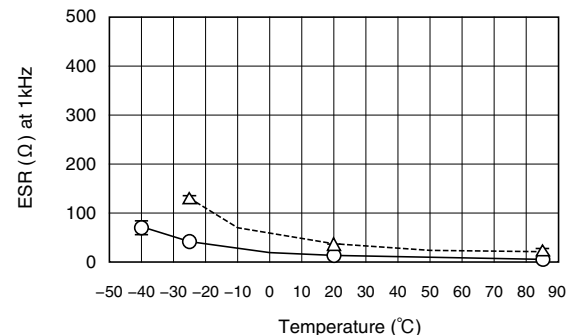
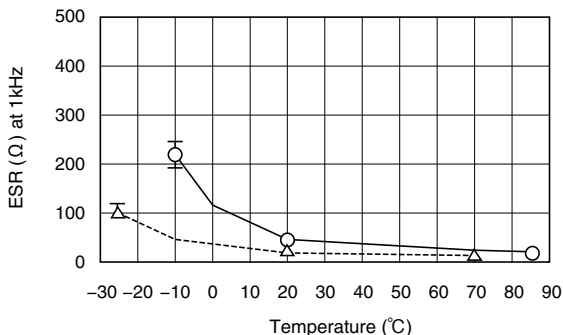
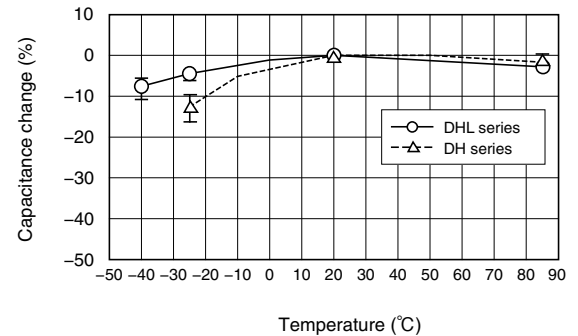
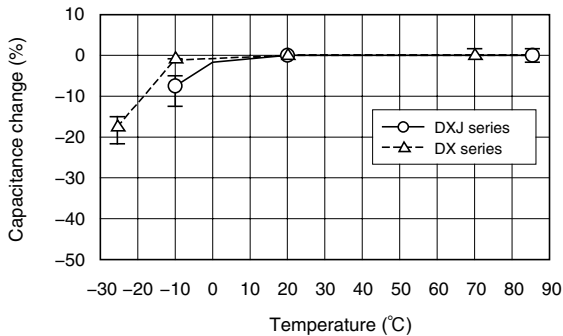
■ Endurance (85°C 5.5V.DC)



■ Discharge characteristics



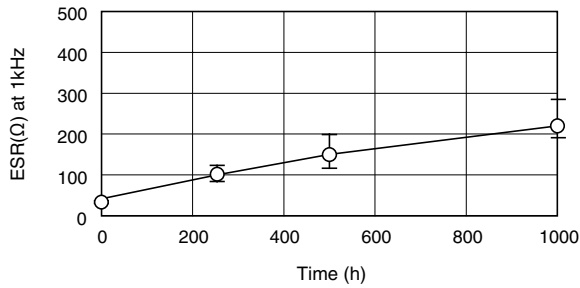
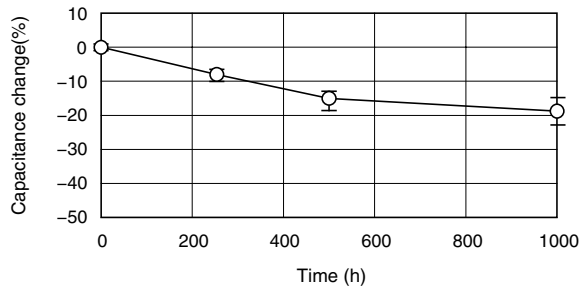
■ Characteristics at high and low temperature



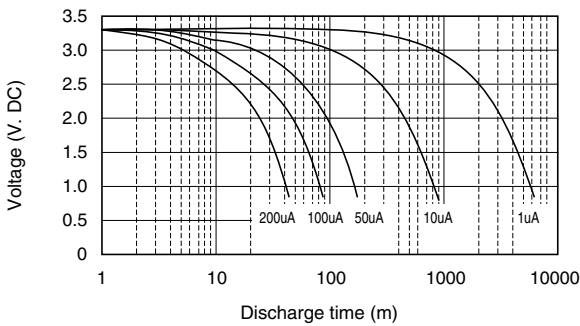
NOTE : Design, Specifications are subject to change without notice.
It is recommended that you shall obtain technical specifications from ELNA to ensure that the component is suitable for your use.

DYNACAP Series DSK
3.3V 0.22F/DSK-3R3H224 $\phi 6.8 \times 2.1L$ (mm)

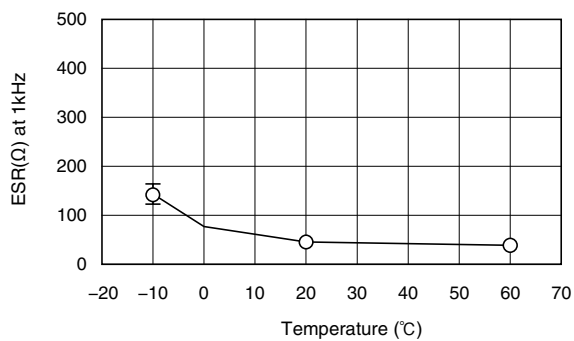
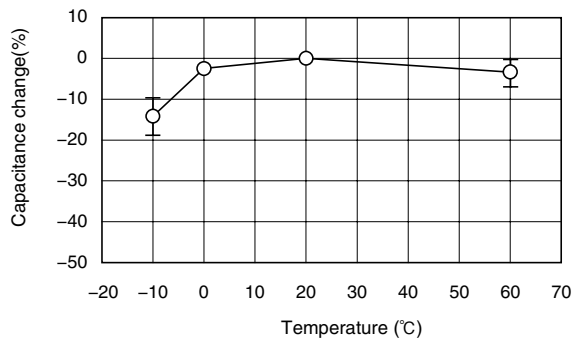
■ Endurance (60°C 3.3V.DC)



■ Discharge characteristics



■ Characteristics at high and low temperature

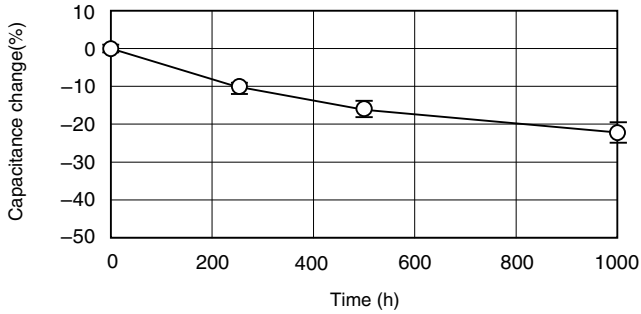


7-2 Cylindrical type for power

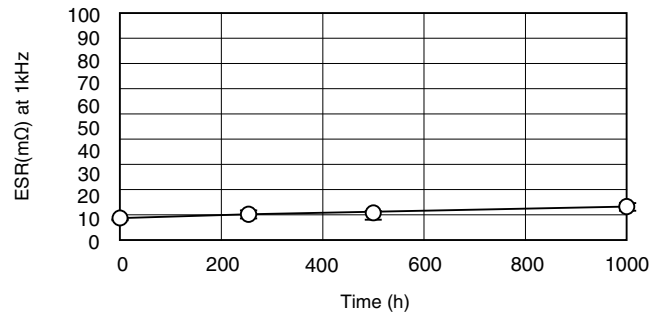
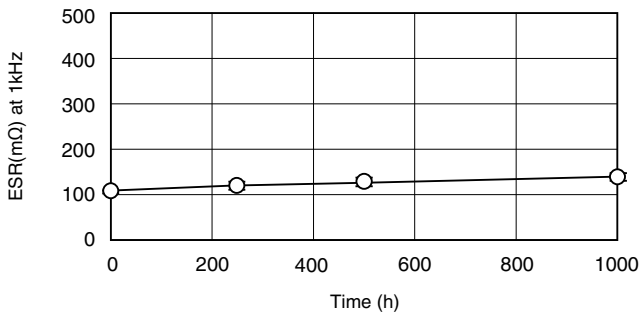
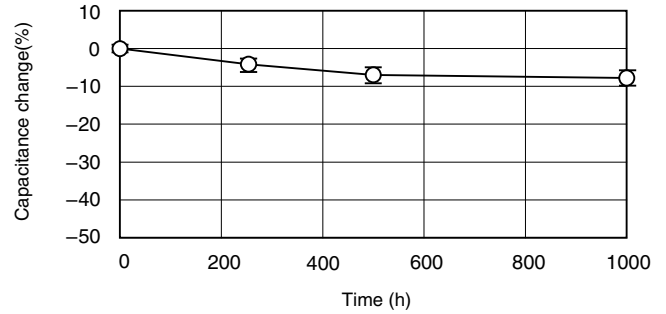
DYNACAP Series DZN
2.7V 2.7F/DZN-2R7D275G5ST $\phi 8 \times 20L$ (mm)

DYNACAP Series DZN
2.5V 200F/DZN-2R5D207S57T $\phi 35 \times 50L$ (mm)

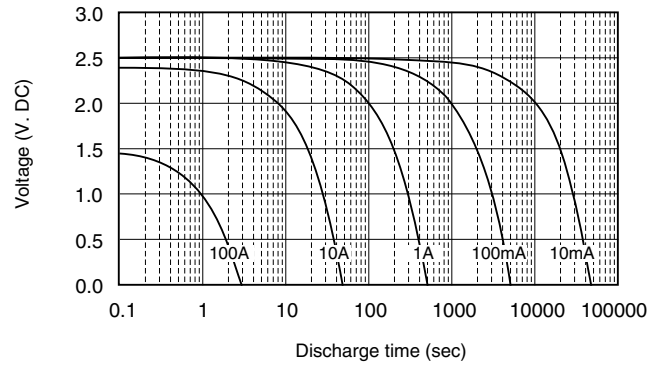
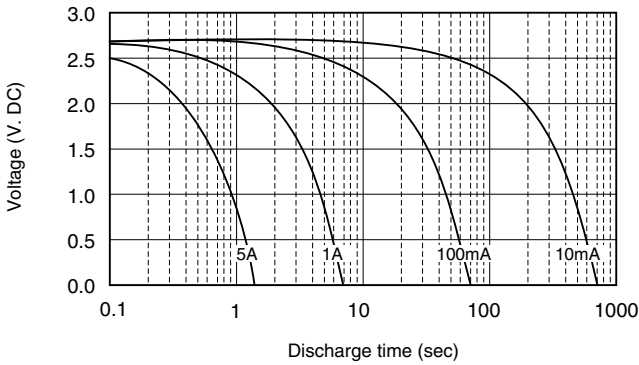
■ Endurance (70°C 2.7V.DC)



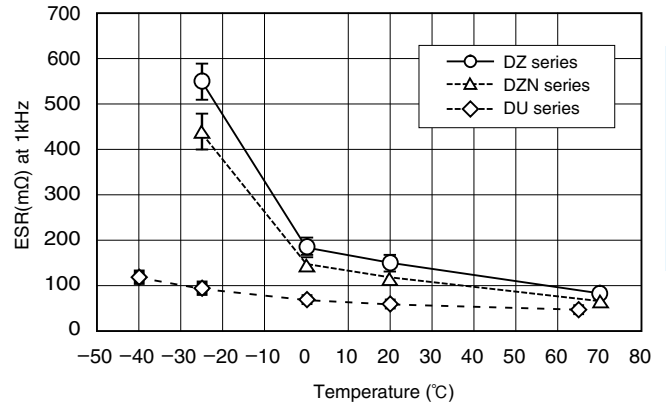
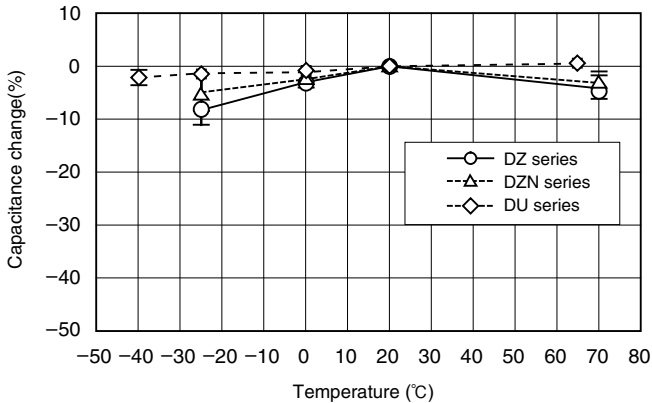
■ Endurance (70°C 2.5V.DC)



■ Discharge characteristics



■ Characteristics at high and low temperature



NOTE : Design, Specifications are subject to change without notice.
It is recommended that you shall obtain technical specifications from ELNA to ensure that the component is suitable for your use.

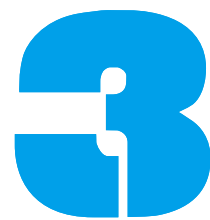
MEMO

ELNA[®]

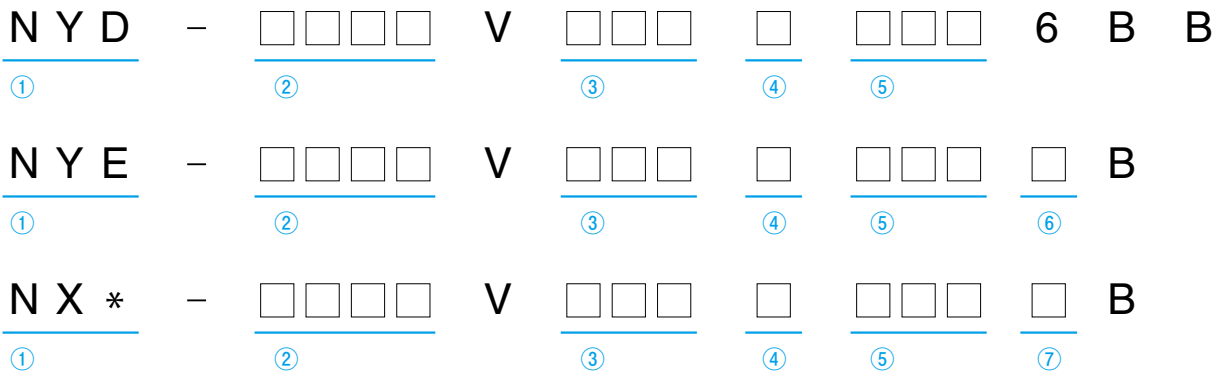
Plastic Film Capacitors

List of Contents

- 1. Product Symbol System for Plastic Film Capacitors 230
- 2. Cautions for Plastic Film Capacitors 231
- 3. Expected lifetime curve 231
- 4. Specifications for Plastic Film Capacitors by Series 232



Product Symbol System for Plastic Film Capacitors



① Series code

Please refer to the page of each series.

② Rated voltage

Please refer to the page of each series.

③ Rated capacitance symbol

Example of series NYD, NYE

Capacitance (μF)	Capacitance symbol	Capacitance (μF)	Capacitance symbol
70	700	420	421
100	101	440	441
110	111	450	451
140	141	480	481
160	161	550	551
170	171	610	611
220	221	700	701
230	231	750	751
260	261	940	941
280	281	970	971
350	351	1100	112
400	401	1500	152

Example of series NXA, NXB

Capacitance (μF)	Capacitance symbol	Capacitance (μF)	Capacitance symbol
0.15	154	1.3	135
0.2	204	1.4	145
0.22	224	1.5	155
0.3	304	1.6	165
0.33	334	1.7	175
0.4	404	1.8	185
0.45	454	2	205
0.47	474	2.2	225
0.55	554	2.5	255
0.56	564	2.8	285
0.6	604	3	305
0.65	654	3.3	335
0.68	684	3.5	355
0.7	704	4	405
0.8	804	4.2	425
0.82	824	4.5	455
0.85	854	4.8	485
1	105	5	505
1.1	115	6	605
1.2	125	7	705

④ Capacitance tolerance symbol

Example

Contents	symbol
±5%	J
±10%	K
±20%	M

⑤ Casing symbol

Please refer to the page of each series.

⑦ Shape code

Please refer to the page of each series.

⑥ Terminal code

Please refer to the page of each series.

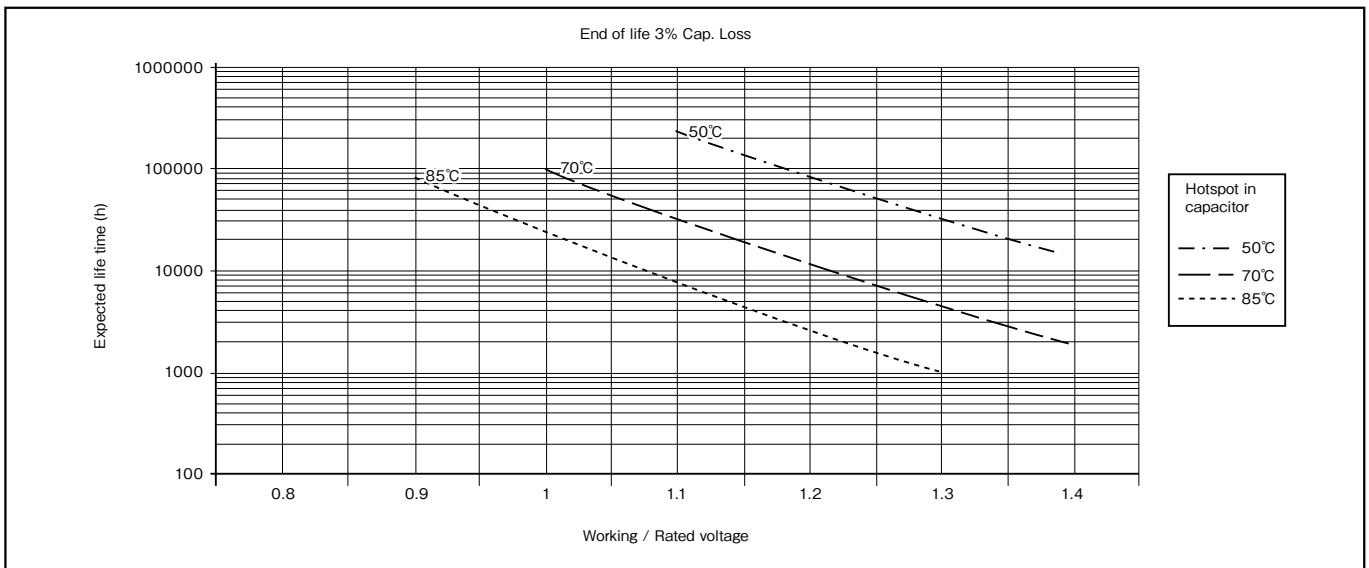
NOTE : Design, Specifications are subject to change without notice. It is recommended that you shall obtain technical specifications from ELNA to ensure that the component is suitable for your use.

■ Cautions of Film Capacitors

1. Please do not exceed the specified current.
2. Please confirm voltage waveform and do not exceed the specified voltage.
3. The expected life time changes under the effect of the applied voltage and the inside temperature of the capacitor.

Please refer to the following figure.

Expected life time curve



For DC-Link Circuits Capacitors

85°C DC-LINK

- Used in DC-Link circuits, can replace electrolytic capacitor.
- PP film design, good temperature characteristics, stable capacity, low ESR, high ripple current handing capabilities, low Ls, long life.
- Aluminum case, filled with fire-retardant resin.
- Self-healing property.
- Used in Inverters of wind power and solar power, HEV or EV, welders, elevators, Motor Driver systems.

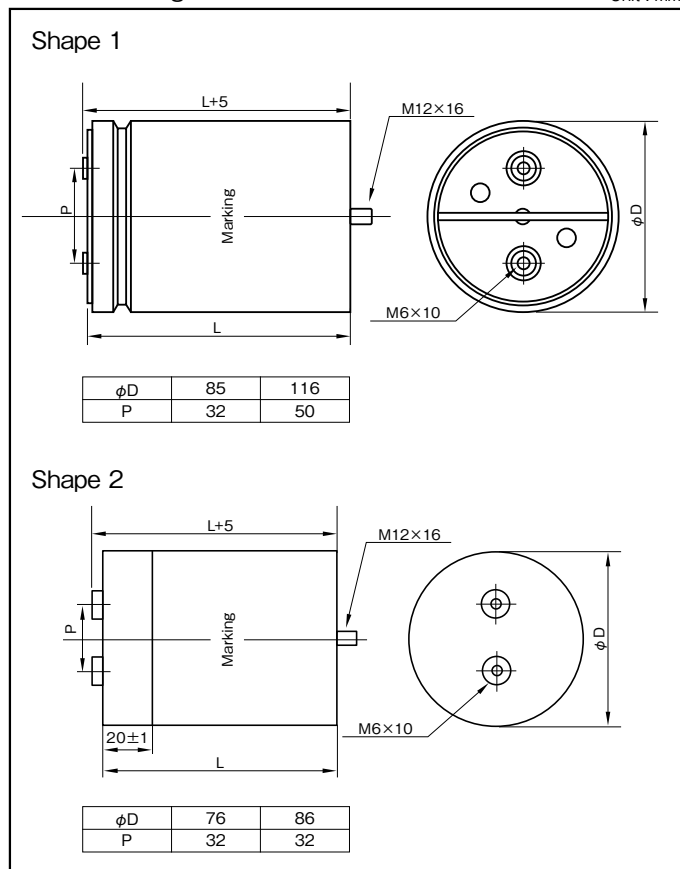


Specifications

Item	Performance	
Category temperature range (°C)	- 55 to +85 (at Hotspot in capacitor)	
Tolerance at rated capacitance (%)	±5, ±10 (20°C, 50 to 120Hz)	
Over Voltage	Rated voltage × 1.1	30% of on-load-duration
	Rated voltage × 1.15	30 min/day
	Rated voltage × 1.2	5 min/day
	Rated voltage × 1.3	1 min/day
	Rated voltage × 1.5	30 ms every time, 100ms/day
Dielectric Dissipation Factor	2×10 ⁻⁴ or less	
Life Expectancy	100000 hours (at Hotspot in capacitor = 70°C)	
Failure Rate	50Fit	
Withstanding DC Voltage	Between Terminals	Rated voltage × 1.5 10s
	Between Terminals and Case	(2x(Ratef voltage)/√2)+1000 or 3000 VAC whichever is lager 10 s (20°C, 50Hz)
Insulation Resistance	5000MΩ·µF or more (20°C, 100V DC, 1min)	
Reference Standard	IEC 61071	

Outline Drawing

Unit : mm



Part numbering system (example : 1100V420µF)					
NYD	—	1100 V	421	K	F(S)D6 6BB
Series code		Rated voltage symbol	Rated capacitance symbol	Capacitance tolerance symbol	Casing symbol Optional symbol

Standard Ratings

Rated voltage (V)	Rated capacitance (μF)	Case (mm)		Casing symbol	Maximum current (Arms)	Thermal resistance (K/W)	Maximum peak current (A)	Series resistance (mΩ)	Self-inductance (nH)	ELNA Parts No.
		φD	L							
800	350	76	120	EC0	60	4.7	3500	2.4	60	NYD-800V351*EC06BB
	400	76	136	ED6	56	4.6	3600	2.8	60	NYD-800V401*ED66BB
	480	85	120	FC0	61	4.7	3840	2.3	60	NYD-800V481*FC06BB
		86	120	FSC0	61	4.7	3840	2.3	60	NYD-800V481*FSC06BB
	550	85	136	FD6	58	4.6	3850	2.6	60	NYD-800V551*FD66BB
		86	136	FSD6	58	4.6	3850	2.6	60	NYD-800V551*FSD66BB
	970	116	120	HC0	69	5	5820	1.7	60	NYD-800V971*HC06BB
	1000	85	225	FM5	79	4	6000	1.6	80	NYD-800V102*FM56BB
		86	225	FSM5	79	4	6000	1.6	80	NYD-800V102*FSM56BB
1100	116	136	HD6	67	4.9	6600	1.8	60	NYD-800V112*HD66BB	
1900	116	230	HNO	100	2.7	11400	1.4	80	NYD-800V192*HNO6BB	
900	350	76	120	EC0	54	4.7	3500	2.9	60	NYD-900V351*EC06BB
	400	76	136	ED6	51	4.6	3600	3.3	60	NYD-900V401*ED66BB
	480	85	120	FC0	55	4.7	3840	2.8	60	NYD-900V481*FC06BB
		86	120	FSC0	55	4.7	3840	2.8	60	NYD-900V481*FSC06BB
	550	85	136	FD6	53	4.6	3850	3.1	60	NYD-900V551*FD66BB
		86	136	FSD6	53	4.6	3850	3.1	60	NYD-900V551*FSD66BB
	970	116	120	HC0	60	5	5820	2.2	60	NYD-900V971*HC06BB
	1000	85	225	FM5	69	4	6000	2.1	80	NYD-900V102*FM56BB
		86	225	FSM5	69	4	6000	2.1	80	NYD-900V102*FSM56BB
1100	116	136	HD6	60	4.9	6600	2.3	60	NYD-900V112*HD66BB	
1900	116	230	HNO	88	2.7	11400	1.9	80	NYD-900V192*HNO6BB	
1100	170	76	95	E95	50	5.6	1700	3	60	NYD-1100V171*E956BB
	230	76	120	EC0	50	4.7	1840	3.4	60	NYD-1100V231*EC06BB
	240	85	95	F95	56	5.1	1920	2.5	60	NYD-1100V241*F956BB
		86	95	FS95	56	5.1	1920	2.5	60	NYD-1100V241*FS956BB
	260	76	136	ED6	50	4.6	2080	3.6	60	NYD-1100V261*ED66BB
	310	85	120	FC0	57	4.7	2480	2.6	60	NYD-1100V311*FC06BB
		86	120	FSC0	57	4.7	2480	2.6	60	NYD-1100V311*FSC06BB
	350	76	175	EH5	68	4.3	2800	2	80	NYD-1100V351*EH56BB
	420	85	136	FD6	56	4.6	3360	2.8	60	NYD-1100V421*FD66BB
		86	136	FSD6	56	4.6	3360	2.8	60	NYD-1100V421*FSD66BB
	420	85	155	FF5	75	4.5	4200	1.6	60	NYD-1100V421*FF56BB
		86	155	FSF5	75	4.5	4200	1.6	60	NYD-1100V421*FSF56BB
	450	116	95	H95	61	5.4	4500	2	60	NYD-1100V451*H956BB
	480	85	175	FH5	72	4.3	4800	1.8	80	NYD-1100V481*FH56BB
		86	175	FSH5	72	4.3	4800	1.8	80	NYD-1100V481*FSH56BB
	600	85	225	FM5	71	4	6000	2	80	NYD-1100V601*FM56BB
		86	225	FSM5	71	4	6000	2	80	NYD-1100V601*FSM56BB
	610	116	120	HC0	60	5	4880	2.2	60	NYD-1100V611*HC06BB
	680	116	136	HD6	58	4.9	5440	2.4	60	NYD-1100V681*HD66BB
	940	116	175	HH5	99	3.4	8460	1.2	80	NYD-1100V941*HH56BB
1100	116	230	HNO	100	2.7	9900	1.3	80	NYD-1100V112*HNO6BB	
1200	116	230	HNO	100	2.7	10800	1.3	80	NYD-1100V122*HNO6BB	
1200	220	76	136	ED6	46	4.6	2200	4.2	60	NYD-1200V221*ED66BB
	300	85	136	FD6	50	4.6	3000	3.5	60	NYD-1200V301*FD66BB
		86	136	FSD6	50	4.6	3000	3.5	60	NYD-1200V301*FSD66BB
	450	116	136	HD6	54	4.9	4050	2.8	60	NYD-1200V451*HD66BB
	470	86	225	HM5	67	4	4230	2.2	80	NYD-1200V471*FSM56BB
1300	100	76	95	E95	46	5.6	1400	3.4	60	NYD-1300V101*E956BB
	160	76	120	EC0	50	4.7	1920	3.6	60	NYD-1300V161*EC06BB
	160	85	95	F95	53	5.1	2240	2.8	60	NYD-1300V161*F956BB
		86	95	FS95	53	5.1	2240	2.8	60	NYD-1300V161*FS956BB
	220	85	120	FC0	53	4.7	2640	3	60	NYD-1300V221*FC06BB
		86	120	FSC0	53	4.7	2640	3	60	NYD-1300V221*FSC06BB
	310	116	95	H95	58	5.4	3720	2.2	60	NYD-1300V311*H956BB
	310	85	175	FH5	45	4.3	3720	4.9	60	NYD-1300V311*FH56BB
		86	175	FSH5	45	4.3	3720	4.9	60	NYD-1300V311*FSH56BB
	420	116	120	HC0	57	5	4200	2.5	60	NYD-1300V421*HC06BB
	470	85	225	FM5	65	4	4700	2.4	80	NYD-1300V471*FM56BB
		86	225	FSM5	65	4	4700	2.4	80	NYD-1300V471*FSM56BB
	620	116	175	HH5	92	3.4	5580	1.4	80	NYD-1300V621*HH56BB
800	116	230	HNO	95	2.7	6400	1.5	80	NYD-1300V801*HNO6BB	
1500	400	116	155	HF5	85	4.3	4000	1.3	60	NYD-1500V401*HF56BB

(Note) * : If tolerance at rated capacitance is 5% = J, 10% = K
 Maximum permissible Ripple current at the ambient temperature of 40°C.
 The thermal Resistance from hotspot to ambient environment.(Natural cooling)

For DC-Link Circuits Capacitors

85°C DC-LINK

- Used in DC-Link circuits, can replace electrolytic capacitor.
- PP film design, good temperature characteristics, stable capacity, low ESR, high ripple current handling capabilities, low Ls, long life.
- Plastic case, filled with fire-retardant resin.
- Self-healing property.
- Used in Inverters of wind power and solar power, welders, elevators, Motor Driver systems.

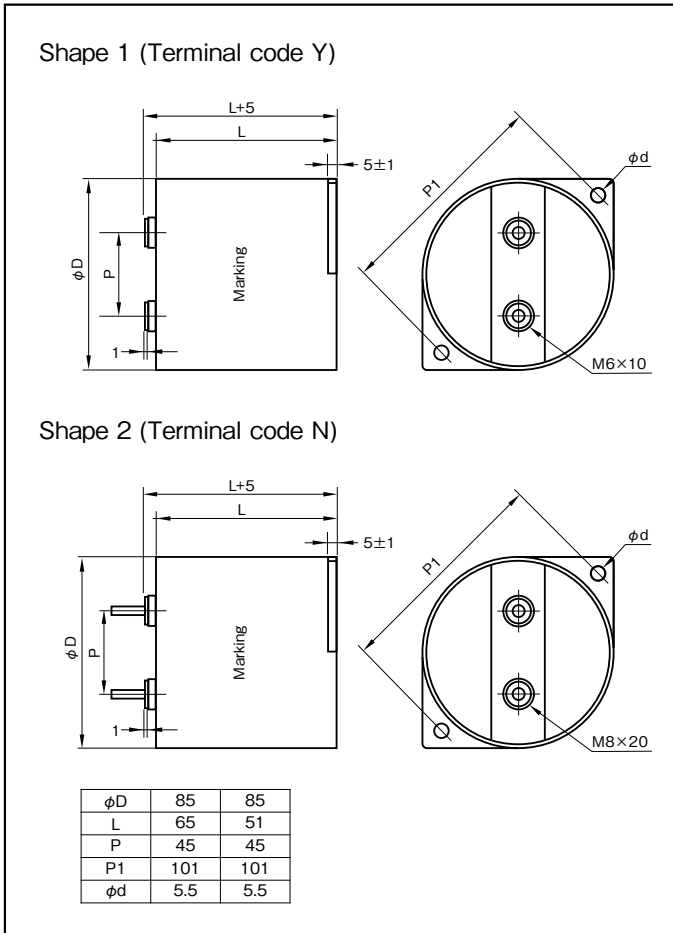


Specifications

Item	Performance	
Category temperature range (°C)	- 40 to +85 (at Hotspot in capacitor)	
Tolerance at rated capacitance (%)	±5, ±10 (20°C, 50 to 120Hz)	
Over Voltage	Rated voltage × 1.1	30% of on-load-duration
	Rated voltage × 1.15	30 min/day
	Rated voltage × 1.2	5 min/day
	Rated voltage × 1.3	1 min/day
	Rated voltage × 1.5	30 ms every time, 100ms/day
Dielectric Dissipation Factor	2×10 ⁻⁴ or less	
Life Expectancy	100000 hours (at Hotspot in capacitor = 70°C)	
Failure Rate	50Fit	
Withstanding DC Voltage	Between Terminals	Rated voltage × 1.5 VDC 10 s
	Between Terminals and Case	(2x(Ratef voltage)/√2)+1000 or 3000 VAC whichever is larger 10 s (20°C, 50Hz)
Insulation Resistance	5000MΩ·µF or more (20°C, 100V DC, 1min)	
Reference Standard	IEC 61071	

Outline Drawing

Unit : mm



Part numbering system (example : 1000V420µF)

NYE	—	1100	V	111	K	F65	Y	B
Series code		Rated voltage symbol		Rated capacitance symbol	Capacitance tolerance symbol	Casing symbol	Terminal code	Optional symbol

NOTE : Design, Specifications are subject to change without notice. It is recommended that you shall obtain technical specifications from ELNA to ensure that the component is suitable for your use.

Standard Ratings

Rated voltage (V)	Rated capacitance (µF)	Case (mm)		Casing symbol	Maximum current (Arms)	Thermal resistance (K/W)	Maximum peak current (A)	Series resistance (mΩ)	Self-inductance (nH)	ELNA Parts No.
		φD	L							
600	200	85	51	F51	55	4.2	4000	1.2	20	NYE-600V201*F51□B
	280	85	65	F65	65	5.5	3700	1.4	30	NYE-600V281*F65□B
800	120	85	51	F51	55	4.2	3000	1.2	20	NYE-800V121*F51□B
	220	85	65	F65	65	5.5	3000	1.4	30	NYE-800V221*F65□B
1000	75	85	51	F51	50	4.2	2400	1.4	20	NYE-1000V750*F51□B
	110	85	65	F65	60	5.5	2300	1.7	30	NYE-1000V111*F65□B
1200	50	85	51	F51	50	4.2	2000	1.6	20	NYE-1200V500*F51□B
	80	85	65	F65	60	5.5	2000	2.0	30	NYE-1200V800*F65□B

(Note) * : If tolerance at rated capacitance is 5% = J, 10% = K

□ : Terminal code

Maximum permissible Ripple current at the ambient temperature of 40°C .

The thermal Resistance from hotspot to ambient environment.(Natural cooling)

For High-frequency Circuits Capacitors

85 °C

High frequency

- Widely used in high voltage, high frequency circuit.
- Low loss and small inherent temperature rise.
- Excellent active and passive flame resistant circuit.
- Especially designed as snubber capacitor for IGBT.

Specifications

Item	Performance
Category temperature range (°C)	-40 to +85 (at Hotspot in capacitor)
Tolerance at rated capacitance (%)	±5, ±10 (20°C, 50 to 120Hz)
Dielectric Dissipation Factor	2×10 ⁻⁴ or less
Life Expectancy	100000 hours (at Hotspot in capacitor = 70°C)
Failure Rate	100Fit
Withstanding DC Voltage	Between Terminals
	Between Terminals and Case
Insulation Resistance	3000MΩ·μF or more (20°C, 100V DC, 1min)
Reference Standard	IEC 61071

Outline Drawing

Unit : mm

W		H		T	
Size	Code	Size	Code	Size	Code
42.5	A	25.5	A	14	A
43	B	28	B	24	B
57.5	C	32	C	25.5	C
		33	D	29.5	D
		35.5	E	30	E
		36	F	33	F
		43	G	33.5	G
		43.5	H	35	H
		45	J	40	J
		50	K	42	K
		55	L	45	L

(Note) Tolerance at size : ±1.0

Part numbering system (example : 1200V2.2μF)

NXA	—	1200 V	225	K	CHD	A	B
Series code		Rated voltage symbol	Rated capacitance symbol	Capacitance tolerance symbol	Casing symbol	Shape code	Optional symbol

NOTE : Design, Specifications are subject to change without notice. It is recommended that you shall obtain technical specifications from ELNA to ensure that the component is suitable for your use.

Standard Ratings

Rated voltage (V)	Rated capacitance (µF)	Case (mm)			Casing symbol	dV / dt (V/µS)	Peak current (A)	ESR (mΩ Max.)	I rms (A)	Self-inductance (nH)	ELNA Parts No.
		W	H	T							
630VDC (330VAC)	1	42.5	28	14	ABA	100	100	12	7.5	20	NXA-630V105*ABA□B
	1.2	42.5	32	14	ACA	100	120	11	9.4	20	NXA-630V125*ACA□B
	1.5	42.5	25.5	25.5	AAC	100	150	10	11	20	NXA-630V155*AA□B
	2	42.5	28	24	ABB	100	200	8	12.6	20	NXA-630V205*ABB□B
	3	42.5	36	24	AFB	100	300	7	17.2	20	NXA-630V305*AFB□B
	3.5	42.5	33	33	ADF	100	350	6	19.2	20	NXA-630V355*ADF□B
	4	42.5	35.5	33.5	AEG	100	400	5	20.5	20	NXA-630V405*AEG□B
4.5	42.5	45	30	AJE	100	450	4	23	20	NXA-630V455*AJE□B	
7	42.5	43	42	AGK	100	700	3	28	20	NXA-630V705*AGK□B	
700VDC (380VAC)	0.8	42.5	28	14	ABA	132	105.6	12	7.2	20	NXA-700V804*ABA□B
	1	42.5	32	14	ACA	132	132	12	9.2	20	NXA-700V105*ACA□B
	1.2	42.5	25.5	25.5	AAC	132	158.4	10	10.8	20	NXA-700V125*AA□B
	1.6	42.5	28	24	ABB	132	211.2	10	12.4	20	NXA-700V165*ABB□B
	2.5	42.5	36	24	AFB	132	330	8	16.8	20	NXA-700V255*AFB□B
	3	42.5	33	33	ADF	132	396	7	18.8	20	NXA-700V305*ADF□B
	3.5	42.5	35.5	33.5	AEG	132	462	6	20.3	20	NXA-700V355*AEG□B
4	42.5	45	30	AJE	132	528	5	22.4	20	NXA-700V405*AJE□B	
6	42.5	43	42	AGK	132	792	4	25	20	NXA-700V605*AGK□B	
850VDC (450VAC)	0.7	42.5	28	14	ABA	200	140	12	6.4	20	NXA-850V704*ABA□B
	0.8	42.5	32	14	ACA	200	160	12	8.8	20	NXA-850V804*ACA□B
	1	42.5	25.5	25.5	AAC	200	200	10	10.4	20	NXA-850V105*AA□B
	1.2	42.5	28	24	ABB	200	240	10	11.8	20	NXA-850V125*ABB□B
	2	42.5	36	24	AFB	200	400	9	15.8	20	NXA-850V205*AFB□B
	2.5	42.5	33	33	ADF	200	500	8	17.6	20	NXA-850V255*ADF□B
	2.8	42.5	35.5	33.5	AEG	200	560	7	19.8	20	NXA-850V285*AEG□B
3.3	42.5	45	30	AJE	200	660	6	21.5	20	NXA-850V335*AJE□B	
4	42.5	43	42	AGK	200	800	5	24	20	NXA-850V405*AGK□B	
1000VDC (480VAC)	0.47	42.5	28	14	ABA	225	105.75	12	6.2	20	NXA-1000V474*ABA□B
	0.56	42.5	32	14	ACA	225	126	12	8.6	20	NXA-1000V564*ACA□B
	0.82	42.5	25.5	25.5	AAC	225	184.5	10	9.8	20	NXA-1000V824*AA□B
	1	42.5	28	24	ABB	225	225	10	11.6	20	NXA-1000V105*ABB□B
	1.5	42.5	36	24	AFB	225	337.5	9	15.5	20	NXA-1000V155*AFB□B
	1.8	42.5	33	33	ADF	225	405	8	17.5	20	NXA-1000V185*ADF□B
	2	42.5	35.5	33.5	AEG	225	450	7	18.8	20	NXA-1000V205*AEG□B
	2.5	42.5	45	30	AJE	225	562.5	6	21	20	NXA-1000V255*AJE□B
	3	42.5	43	42	AGK	225	675	5	23	20	NXA-1000V305*AGK□B
	3.3	57.5	43.5	29.5	CHD	130	429	6	23	20	NXA-1000V335*CHD□B
	3.5	57.5	45	30	CJE	130	455	5	24	20	NXA-1000V355*CJE□B
4.2	57.5	45	35	CJH	130	546	5	24	20	NXA-1000V425*CJH□B	
4.8	57.5	50	35	CKH	130	624	4	25	20	NXA-1000V485*CKH□B	
5	57.5	45	45	CJL	130	650	4	25	20	NXA-1000V505*CJL□B	
6	57.5	55	40	CLJ	130	780	4	28	20	NXA-1000V605*CLJ□B	
1200VDC (500VAC)	0.33	42.5	28	14	ABA	225	74.25	12	6	20	NXA-1200V334*ABA□B
	0.4	42.5	32	14	ACA	225	90	12	8.5	20	NXA-1200V404*ACA□B
	0.56	42.5	25.5	25.5	AAC	225	126	11	9.6	20	NXA-1200V564*AA□B
	0.68	42.5	28	24	ABB	225	153	10	11.5	20	NXA-1200V684*ABB□B
	1	42.5	36	24	AFB	225	225	10	15.4	20	NXA-1200V105*AFB□B
	1.1	42.5	33	33	ADF	225	247.5	9	17.2	20	NXA-1200V115*ADF□B
	1.3	42.5	35.5	33.5	AEG	225	292.5	8	18.6	20	NXA-1200V135*AEG□B
	1.6	42.5	45	30	AJE	225	360	7	20.6	20	NXA-1200V165*AJE□B
	2	42.5	43	42	AGK	225	450	6	22	20	NXA-1200V205*AGK□B
	2.2	57.5	43.5	29.5	CHD	150	330	6	22	20	NXA-1200V225*CHD□B
	2.5	57.5	45	30	CJE	150	375	6	23	20	NXA-1200V255*CJE□B
2.8	57.5	45	35	CJH	150	420	5	24	20	NXA-1200V285*CJH□B	
3.3	57.5	50	35	CKH	150	495	5	24	20	NXA-1200V335*CKH□B	
3.5	57.5	45	45	CJL	150	525	4	25	20	NXA-1200V355*CJL□B	
4	57.5	55	40	CLJ	150	600	4	26	20	NXA-1200V405*CLJ□B	
1600VDC (550VAC)	0.2	42.5	28	14	ABA	225	45	12	6	20	NXA-1600V204*ABA□B
	0.22	42.5	32	14	ACA	225	49.5	12	8.4	20	NXA-1600V224*ACA□B
	0.33	42.5	25.5	25.5	AAC	225	74.25	11	9.5	20	NXA-1600V334*AA□B
	0.45	42.5	28	24	ABB	225	101.25	11	11.4	20	NXA-1600V454*ABB□B
	0.6	42.5	36	24	AFB	225	135	10	15.2	20	NXA-1600V604*AFB□B
	0.7	43	33	33	BDF	225	157.5	10	17	20	NXA-1600V704*BDF□B
	0.85	43	35.5	33.5	BEG	225	191.25	9	18.4	20	NXA-1600V854*BEG□B
	1	42.5	45	30	AJE	225	225	8	20.5	20	NXA-1600V105*AJE□B
	1.3	42.5	43	42	AGK	225	292.5	7	21	20	NXA-1600V135*AGK□B
	1.5	57.5	43.5	29.5	CHD	150	225	6	22	20	NXA-1600V155*CHD□B
	1.6	57.5	45	30	CJE	150	240	6	22	20	NXA-1600V165*CJE□B
	1.8	57.5	45	35	CJH	150	270	5	23	20	NXA-1600V185*CJH□B
	2	57.5	50	35	CKH	150	300	5	24	20	NXA-1600V205*CKH□B
2.2	57.5	45	45	CJL	150	330	4	24	20	NXA-1600V225*CJL□B	
2.5	57.5	55	40	CLJ	150	375	4	25	20	NXA-1600V255*CLJ□B	

(Note) * : If tolerance at rated capacitance is 5% = J, 10% = K
 □ : Shape code

For High-frequency Circuits Capacitors

85 °C

High frequency

- Widely used in high voltage, high frequency circuit.
- Low loss and small inherent temperature rise.
- Excellent active and passive flame resistant circuit.
- Double side metallized.
- Especially designed as snubber capacitor for IGBT.

Specifications

Item	Performance
Category temperature range (°C)	-40 to +85 (at Hotspot in capacitor)
Tolerance at rated capacitance (%)	±5, ±10 (20°C, 50 to 120Hz)
Dielectric Dissipation Factor	2×10 ⁻⁴ or less
Life Expectancy	100000 hours (at Hotspot in capacitor = 70°C)
Failure Rate	100Fit
Withstanding DC Voltage	Between Terminals
	Between Terminals and Case
Insulation Resistance	3000MΩ·μF or more (20°C, 100V DC, 1min)
Reference Standard	IEC 61071

Outline Drawing

Unit : mm

Shape A

Shape B

Shape C

W		H		T	
Size	Code	Size	Code	Size	Code
42.5	A	25.5	A	14	A
43	B	28	B	24	B
57.5	C	32	C	25.5	C
		33	D	29.5	D
		35.5	E	30	E
		36	F	33	F
		43	G	33.5	G
		43.5	H	35	H
		45	J	40	J
		50	K	42	K
		55	L	45	L

(Note) Tolerance at size : ±1.0

Part numbering system (example : 850V2.2μF)

NXB	—	850	V	225	K	AJE	C	B
Series code		Rated voltage symbol		Rated capacitance symbol	Capacitance tolerance symbol	Casing symbol	Shape code	Optional symbol

Standard Ratings

Rated voltage (V)	Rated capacitance (μF)	Case (mm)			Casing symbol	dV / dt (V/μS)	Peak current (A)	ESR (mΩ Max.)	I rms (A)	Self-inductance (nH)	ELNA Parts No.
		W	H	T							
700VDC (380VAC)	0.6	42.5	28	14	ABA	325	195	12	7.2	20	NXB-700V604*ABA□B
	0.8	42.5	32	14	ACA	325	260	12	9.2	20	NXB-700V804*ACA□B
	1	42.5	25.5	25.5	AAC	325	325	10	10.8	20	NXB-700V105*AA□B
	1.2	42.5	28	24	ABB	325	390	10	12.4	20	NXB-700V125*AB□B
	1.8	42.5	36	24	AFB	325	585	8	16.8	20	NXB-700V185*AF□B
	2.2	42.5	33	33	ADF	325	715	7	18.8	20	NXB-700V225*AD□B
	2.5	42.5	35.5	33.5	AEG	325	813	6	20.3	20	NXB-700V255*AE□B
	3	42.5	45	30	AJE	325	975	5	22.4	20	NXB-700V305*AJ□B
850VDC (450VAC)	4	42.5	43	42	AGK	325	1300	4	25	20	NXB-700V405*AG□B
	0.47	42.5	28	14	ABA	400	188	12	6.4	20	NXB-850V474*ABA□B
	0.55	42.5	32	14	ACA	400	220	12	8.8	20	NXB-850V554*ACA□B
	0.68	42.5	25.5	25.5	AAC	400	272	10	10.4	20	NXB-850V684*AA□B
	0.8	42.5	28	24	ABB	400	320	10	11.8	20	NXB-850V804*AB□B
	1.2	42.5	36	24	AFB	400	480	9	15.6	20	NXB-850V125*AF□B
	1.5	42.5	33	33	ADF	400	600	8	17.6	20	NXB-850V155*AD□B
	1.8	42.5	35.5	33.5	AEG	400	720	7	19.8	20	NXB-850V185*AE□B
1000VDC (480VAC)	2.2	42.5	45	30	AJE	400	880	6	21.5	20	NXB-850V225*AJ□B
	2.8	42.5	43	42	AGK	400	1120	5	24	20	NXB-850V285*AG□B
	0.33	42.5	28	14	ABA	500	165	12	6.2	20	NXB-1000V334*ABA□B
	0.45	42.5	32	14	ACA	500	225	12	8.6	20	NXB-1000V454*ACA□B
	0.55	42.5	25.5	25.5	AAC	500	275	10	9.8	20	NXB-1000V554*AA□B
	0.65	42.5	28	24	ABB	500	325	10	11.6	20	NXB-1000V654*AB□B
	1	42.5	36	24	AFB	500	500	9	15.5	20	NXB-1000V105*AF□B
	1.2	42.5	33	33	ADF	500	600	8	17.5	20	NXB-1000V125*AD□B
	1.4	42.5	35.5	33.5	AEG	500	700	7	18.8	20	NXB-1000V145*AE□B
	1.8	42.5	45	30	AJE	500	900	6	21	20	NXB-1000V185*AJ□B
	2.2	42.5	43	42	AGK	500	1100	5	5	20	NXB-1000V225*AG□B
	2.2	57.5	43.5	29.5	CHD	350	770	6	6	20	NXB-1000V225*CH□B
	1200VDC (500VAC)	2.5	57.5	45	30	CJE	350	875	5	5	20
3		57.5	45	35	CJH	350	1050	5	5	20	NXB-1000V305*CJ□B
3.3		57.5	50	35	CKH	350	1155	4	4	20	NXB-1000V335*CK□B
3.5		57.5	45	45	CJL	350	1225	4	4	20	NXB-1000V355*CJ□B
4.5		57.5	55	40	CLJ	350	1575	4	28	20	NXB-1000V455*CL□B
0.22		42.5	28	14	ABA	650	143	12	6	20	NXB-1200V224*ABA□B
0.3		42.5	32	14	ACA	650	195	12	8.5	20	NXB-1200V304*ACA□B
0.4		42.5	25.5	25.5	AAC	650	260	11	9.6	20	NXB-1200V404*AA□B
0.47		42.5	28	24	ABB	650	306	10	11.5	20	NXB-1200V474*AB□B
0.68		42.5	36	24	AFB	650	442	10	15.4	20	NXB-1200V684*AF□B
0.8	42.5	33	33	ADF	650	520	9	17.2	20	NXB-1200V804*AD□B	
1600VDC (550VAC)	1	42.5	35.5	33.5	AEG	650	650	8	18.6	20	NXB-1200V105*AE□B
	1.2	42.5	45	30	AJE	650	780	7	20.6	20	NXB-1200V125*AJ□B
	1.5	42.5	43	42	AGK	650	975	6	22	20	NXB-1200V155*AG□B
	1.5	57.5	43.5	29.5	CHD	455	683	6	22	20	NXB-1200V155*CH□B
	1.8	57.5	45	30	CJE	455	819	6	23	20	NXB-1200V185*CJ□B
	2	57.5	45	35	CJH	455	910	5	24	20	NXB-1200V205*CJ□B
	2.2	57.5	50	35	CKH	455	1001	5	24	20	NXB-1200V225*CK□B
	2.5	57.5	45	45	CJL	455	1138	4	25	20	NXB-1200V255*CJ□B
	3	57.5	55	40	CLJ	455	1365	4	26	20	NXB-1200V305*CL□B
	0.15	42.5	28	14	ABA	800	120	12	6	20	NXB-1600V154*ABA□B
1600VDC (550VAC)	0.2	42.5	32	14	ACA	800	160	12	8.4	20	NXB-1600V204*ACA□B
	0.3	42.5	25.5	25.5	AAC	800	240	11	9.5	20	NXB-1600V304*AA□B
	0.33	42.5	28	24	ABB	800	264	11	11.4	20	NXB-1600V334*AB□B
	0.47	42.5	36	24	AFB	800	376	10	15.2	20	NXB-1600V474*AF□B
	0.56	42.5	33	33	ADF	800	448	10	17	20	NXB-1600V564*AD□B
	0.65	42.5	35.5	33.5	AEG	800	520	9	18.4	20	NXB-1600V654*AE□B
	0.8	42.5	45	30	AJE	800	640	8	20.5	20	NXB-1600V804*AJ□B
	1	42.5	43	42	AGK	800	800	7	21	20	NXB-1600V105*AG□B
	1	57.5	43.5	29.5	CHD	560	560	6	22	20	NXB-1600V105*CH□B
	1.2	57.5	45	30	CJE	560	672	6	22	20	NXB-1600V125*CJ□B
	1.4	57.5	45	35	CJH	560	784	5	23	20	NXB-1600V145*CJ□B
	1.6	57.5	50	35	CKH	560	896	5	24	20	NXB-1600V165*CK□B
	1.7	57.5	45	45	CJL	560	952	4	24	20	NXB-1600V175*CJ□B
	2	57.5	55	40	CLJ	560	1120	4	25	20	NXB-1600V205*CL□B

(Note) * : If tolerance at rated capacitance is 5% = J, 10% = K
 □ : Shape code

MEMO

ELECTRONIC COMPONENTS

ELNA CO., LTD.

<http://www.ena.co.jp/>

HEAD OFFICE	3-8-11 Shin-Yokohama, Kouhoku-ku, Yokohama-city, Kanagawa, 222-0033 Japan	TEL. +81-45-470-7251 FAX. +81-45-470-7261
SHIGA FACTORY	30 Ta-cho, Nagahama-city, Shiga, 529-0142 Japan	TEL. +81-749-73-3021 FAX. +81-749-73-2175
SHIRAKAWA OFFICE	9-32 Aza-sugiyama, Oaza-yone, Nishigo-mura, Nishishirakawa-gun, Fukushima, 961-8031 Japan	TEL. +81-248-48-1654 FAX. +81-248-25-5614

■ SALES OFFICE

ELNA AMERICA, INC. 3600 Dallas Hwy., Ste.230 #389 Marietta, GA 30064, U.S.A.	TEL. +1-678-261-8284 FAX. +1-678-815-0892
ELNA ELECTRONICS SINGAPORE PTE. LTD. 103 Kallang Avenue, #04-01 AIS Industrial Building Singapore 339504	TEL. +65-62930181 FAX. +65-62966716
ELNA (SHANGHAI) CO., LTD. Room 6203, Rui Jin Hotel Business Center 118 Rui Jin 2 Road, Shanghai, China Post Code 200020	TEL. +86-21-64452269 FAX. +86-21-64452271
ELNA BANGKOK SALES OFFICE 2/71 Thosapol Land Building 4 14th/FL, Soi Bangna-Trad 25, Bangna, Bangna, Bangkok 10260, Thailand	TEL. +66-2-7441464 +66-2-7441465 FAX. +66-2-7441466
ELNA MALAYSIA PENANG SALES OFFICE 2473, Tingkat Perusahaan 6, Free Trade Zone, Prai Industrial Estate, 13600 Prai, Penang, Malaysia	TEL. +60-4-3985369
EASTERN JAPAN OFFICE 3-8-11 Shin-Yokohama, Kouhoku-ku, Yokohama-city Kanagawa, 222-0033 Japan	TEL. +81-45-470-7254 FAX. +81-45-470-7260
WESTERN JAPAN OFFICE 6-1-15 Nishinakajima Yodogawa-ku, Osaka-city, Osaka, 532-0011 Japan	TEL. +81-6-6304-6831 FAX. +81-6-6304-8638

■ AFFILIATED COMPANY

TANIN ELNA CO., LTD. HEAD OFFICE 2/71 Thosapol Land Building 4 14th/FL, Soi Bangna-Trad 25, Bangna, Bangna, Bangkok 10260, Thailand	TEL. +66-2-7441464 +66-2-7441465 FAX. +66-2-7441466
CHIANGMAI FACTORY 56 Mahidoal Road T. Sutep A. Muang Chiangmai 50200, Thailand.	TEL. +66-53-270206 FAX. +66-53-275064
ELNA-SONIC SDN. BHD. 2473, Tingkat Perusahaan 6, Free Trade Zone, Prai Industrial Estate, 13600 Prai, Penang, Malaysia.	TEL. +60-4-3992916 FAX. +60-4-3992925 Sales office TEL. +60-4-3985369
ELNA TOHOKU CO., LTD. AOMORI FACTORY 1-349-1 Okonoki, Kuroishi-city Aomori, 036-0357 Japan	TEL. +81-172-52-4166 FAX. +81-172-53-4609



CAUTION

Observe the following to ensure safe operation.

1. The models and specification values contained in this catalog are for reference purposes only. During actual use or when placing an order, please request "drawings" and make your purchase or use the purchased product based on those drawings.
2. In order to ensure that products are used correctly and safely, always make sure to read the cautions for using prior to using the product.

NOTE

1. Since the contents contained are subject to changes in specifications, dimensions and so forth without notice due to modification, please confirm the contents when placing an order. If any of the matters described here are unclear, please inquire at one of our nearby sales offices.
2. The contents of this catalog are valid as of December 2014.