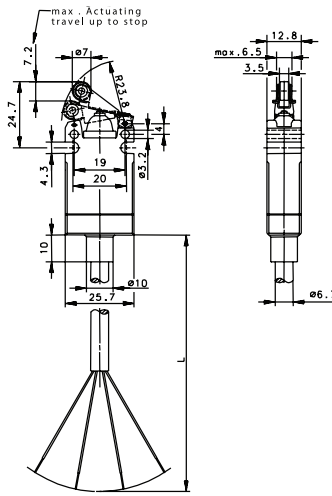
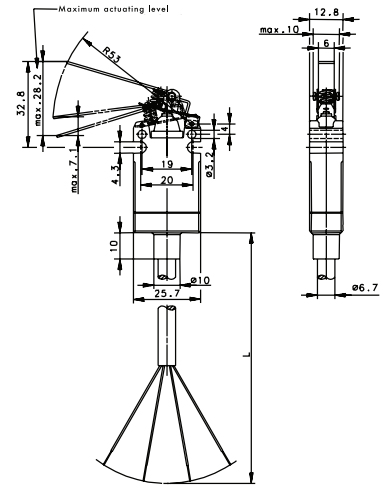


## EEX Series Limit Switches

### EEX RHL

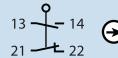


### EEX UH

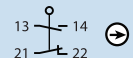


6.5' (2 meter) connection cable

**609.0149.027**  
EEX-SU1Z RHL -2M-

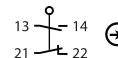


**609.0146.012**  
EEX-SU1 UH -2M-

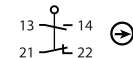


16.4' (5 meter) connection cable

**609.0149.029**  
EEX-SU1Z RHL -5M-



**609.0146.014**  
EEX-SU1 UH -5M-



29.5' (9 meter) connection cable

-

-

### EX Certification

II 2 G EEx d IIC T6

II 2 G EEx d IIC T6

### Technical Information

Maximum Switching Voltage	230V	230V
Maximum Switching Amperage	5A	5A
B10d	4 Million	4 Million
Mechanical Service Life	2 x 10 <sup>6</sup>	2 x 10 <sup>6</sup>
Switching Frequency	≤ 120/min	≤ 120/min
Operating Temperature	-20 °C to +65 °C	-20 °C to +65 °C
Protection Rating	IP66 / IP67	IP66 / IP67
Utilization Category	AC 15, 240 V / 3 A; DC 13, 250 V / 0.27 A	AC 15, 240 V / 3 A; DC 13, 250 V / 0.27 A
Rate Insulation Voltage	250VAC	250VAC

Drawing dimensions in mm