

3.0V / 5.0V, Clipped Sine, TCXO



Model: FOX801LF Series

RoHS Compliant

Rev. 5/2/2013

Page 1 of 1

http://www.foxonline.com/need_a_sample.htm

FEATURES

- 2.0mm Height Max
- Low Cost
- Clipped Sine Output
- Tape and Reel (2,000 pcs. STD)

OPTIONS

- 'ALF' Version - 5.0V
- 'BLF' Version - 3.0V
- VCTCXO - AELF/BELF Version
- VCTCXO - AHLF/BHLF Version (trimmerless)

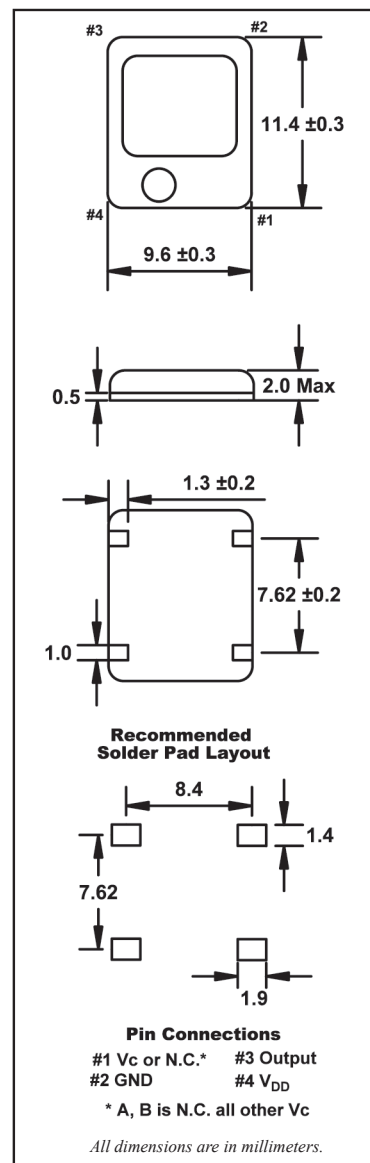


• PART NUMBER SELECTION

Part Number	Model Number	Frequency Stability	Operating Temperature (°C)	Frequency Range (MHz)
250LF-Frequency-xxxxx	FOX801ALF	see table	-30 ~ +75	9.600 ~ 50.000
251LF-Frequency-xxxxx	FOX801AELF	see table	-30 ~ +75	9.600 ~ 50.000
252LF-Frequency-xxxxx	FOX801AHLF	see table	-30 ~ +75	9.600 ~ 50.000
253LF-Frequency-xxxxx	FOX801BLF	see table	-30 ~ +75	9.600 ~ 50.000
254LF-Frequency-xxxxx	FOX801BELF	see table	-30 ~ +75	9.600 ~ 50.000
255LF-Frequency-xxxxx	FOX801BHLF	see table	-30 ~ +75	9.600 ~ 50.000

• ELECTRICAL CHARACTERISTICS

PARAMETERS	MAX (unless otherwise noted)
Frequency Range (Fo)	9.600 ~ 50.000 MHz
Temperature Range	
Operating (TOPR)	-30°C ~ +75°C
Storage (TSTG)	-35°C ~ +80°C
Initial Frequency Tolerance (@25°C)	
Vc = 2.5V (ALF Series) ¹ FOX801ALF/BLF/AELF/BELF	±0.5PPM
Vc = 1.5V (BLF Series) ¹ FOX801AHLF/BHLF	±2.0PPM
Supply Voltage (VDD)	
ALF Version	5.0V ± 5%
BLF Version	3.0V ± 5%
Input Current (IDD)	
9.600 ~ 21.999 MHz	2.0mA
21.999+ ~ 27.999 MHz	3.0mA
27.999+ ~ 39.999 MHz	4.0mA
39.999+ ~ 50.000 MHz	5.0mA
Frequency Stability	
Over Temperature Range	±2.5PPM
Over Supply Voltage Change (VDD ± 5%)	
9.600 ~ 21.999 MHz	±0.3PPM
21.999+ ~ 27.999 MHz	±0.5PPM
27.999+ ~ 50.000 MHz	±1.0PPM
Over Load Change (10KΩ ± 10% // 10pF ± 10%)	±0.3PPM
Output Waveform (Clipped Sine)	
Peak-to-Peak Level (Vp-p)	
ALF Version: 9.600 ~ 15.999 MHz	1.0V Min
ALF Version: 16.000 ~ 50.000 MHz	0.8V Min
BLF Version: 9.600 ~ 15.999 MHz	0.8V Min
BLF Version: 16.000 ~ 50.000 MHz	0.7V Min
Output Load	10KΩ // 10pF ±10%
Frequency Adjustment (Internal Trimmer)	
FOX801ALF/BLF/AELF/BELF	±3.0PPM
FOX801AHLF/BHLF	Trimmerless
Voltage Control Option (VCTCXO) ¹	
ALF Version (Vc=2.5±2.0V) FOX801ALF/BLF	None
BLF Version (Vc=1.5±1.0V) FOX801AELF/BELF	±5.0PPM Min
FOX801AHLF/BHLF	±8.0PPM Min
Aging per year	1.0PPM



¹ For proper operation, a control voltage (Vc) must be applied to pin 1 on VCTCXOs.
All specifications subject to change without notice.