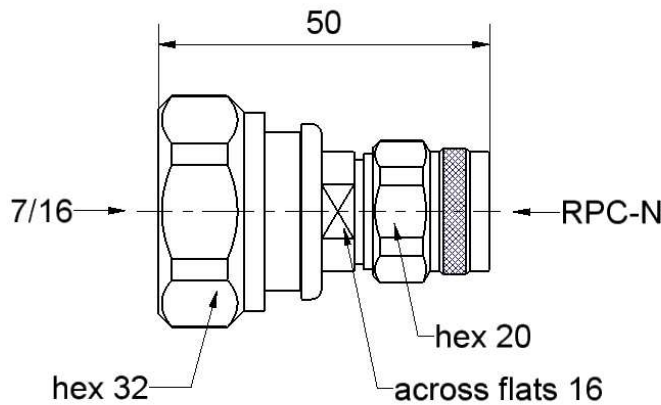
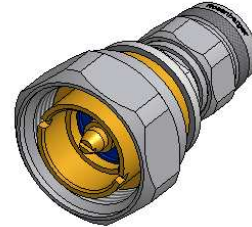


Adaptor
RPC-N 50Ω Plug – 7/16 50Ω Plug

05S160-S50D3



All dimensions are in mm; tolerances according to ISO 2768 m-H

Interface

According to – 7/16 side
According to – RPC-N side

IEC 60169-4, VG 95250, EN 122190, DIN 47223
IEC 60169-16 ; CECC 22 210 ; MIL-STD 348 A/402

Documents

N/A

Material and plating

Connector parts

Center contact
Outer contact – 7/16 side
Outer contact – RPC-N side
Body
Coupling nut – 7/16 side
Coupling nut – RPC-N side
Dielectric

Material

Brass
Brass
Stainless steel
Brass
Brass
Stainless steel
PPE

Plating

Gold, min. 1.27 µm, over nickel
Gold, min. 1.27 µm, over nickel
Passivated
Flash white bronze over silver(e.g. Optargen®)
White bronze(e.g. Optalloy®)
Passivated

Dieses Dokument ist urheberrechtlich geschützt • This document is protected by copyright • Rosenberger Hochfrequenztechnik GmbH & Co. KG

RF_35/05:10/6.0

Technical Data Sheet

Rosenberger

Adaptor
RPC-N 50Ω Plug – 7/16 50Ω Plug

05S160-S50D3

Electrical data

Impedance	50 Ω	
Frequency	DC to 8 GHz	
Return loss	≥ 36 dB, DC to 4 GHz ≥ 33 dB, 4 GHz to 8 GHz	
Center contact resistance	≤ 4.0 mΩ, 7/16 side	≤ 1.0 mΩ, RPC-N side
Outer contact resistance	≤ 1.5 mΩ, 7/16 side	≤ 1.0 mΩ, RPC-N side

Mechanical data

Mating cycles	7/16 side min. 500	RPC-N side min. 500
Center contact captivation	≥ 200 N	≥ 28 N
Coupling test torque	max. 35 Nm	max. 1.70 Nm
Recommended torque	25 to 30 Nm	0.70 to 1.10 Nm
Coupling nut retention	≥ 1000 N	≥ 450 N

Environmental data

Temperature range	-40°C to +85°C
2002/95/EC (RoHS)	compliant

Tooling

N/A

Suitable cables

N/A

Packing

Standard	1 pce in bag
Weight	115 g/pce

While the information has been carefully compiled to the best of our knowledge, nothing is intended as representation or warranty on our part and no statement herein shall be construed as recommendation to infringe existing patents. In the effort to improve our products, we reserve the right to make changes judged to be necessary.

Draft	Date	Approved	Date	Rev.	Engineering change number	Name	Date
Kerstin Herzog	10/07/06	Andreas Burkert	16/01/12	f00	12-0033	Marion Striegler	16/01/12

Rosenberger Hochfrequenztechnik GmbH & Co. KG P.O.Box 1260 D-84526 Tittmoning Germany www.rosenberger.de	Tel. : +49 8684 18-0 Fax : +49 8684 18-499 Email : info@rosenberger.de	Page 2 / 2
--	---	---------------