

4

3

2

1

THIS DRAWING IS UNPUBLISHED.

RELEASED FOR PUBLICATION

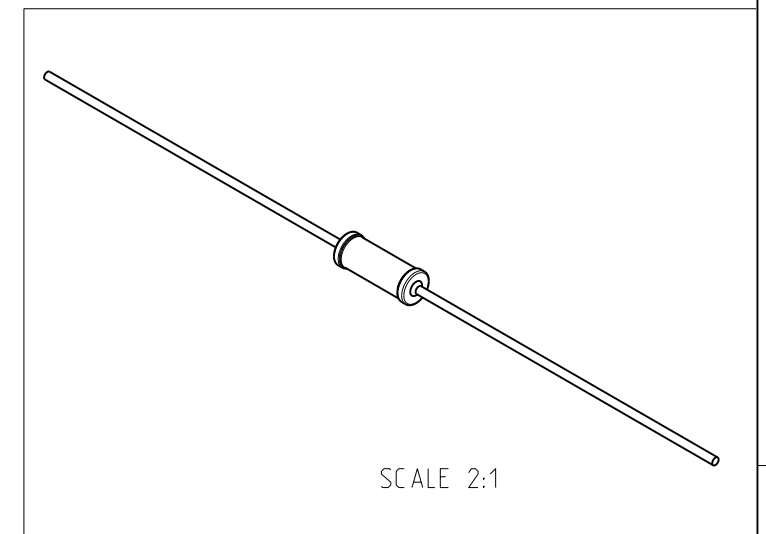
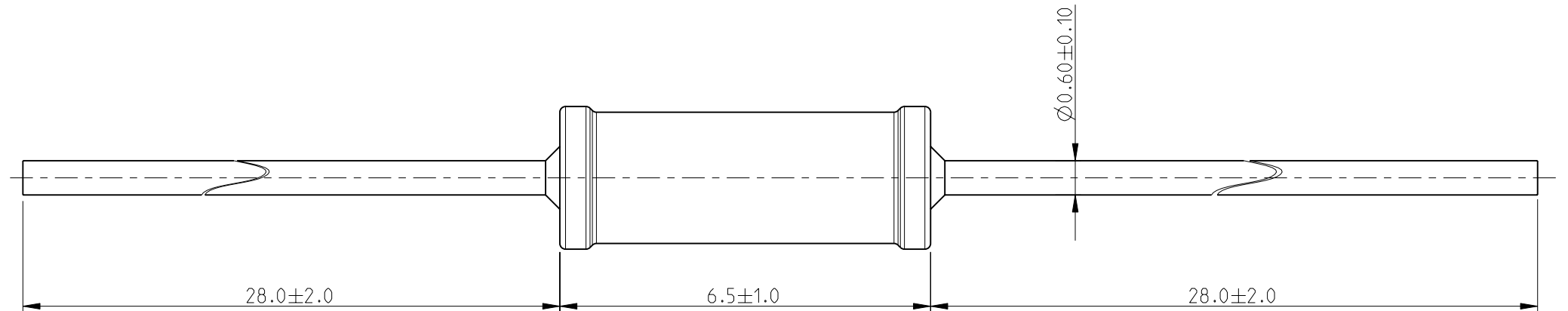
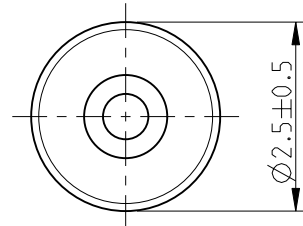
2008


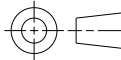
© COPYRIGHT 2008

ALL RIGHTS RESERVED.

LOC	DIST	REVISIONS			
P	LTR	DESCRIPTION	DATE	DWN	APVD
	BA1	REVISED PER ECO-11-005150	29MAR2011	RK	HMR

FOR FURTHER INFORMATION SEE DATA SHEET FOR SERIES RGP- METAL GLAZE FIXED RESISTORS



THIS DRAWING IS A CONTROLLED DOCUMENT.		DWN	22-DEC-08		 TE Connectivity
		CHK	22-DEC-08		
		APVD	22-DEC-08		
		NAME	STEPHEN.P		
DIMENSIONS:		TOLERANCES UNLESS OTHERWISE SPECIFIED:		NAME	
mm				METAL GLAZE FIXED RESISTORS	
		0 PLC ± 0.2		STYLE RGP0207CH	
		1 PLC ± 0.1			
		2 PLC ± -			
		3 PLC ± -			
		4 PLC ± -			
ANGLES ± 5°				SIZE	
MATERIAL -		FINISH -		CAGE CODE	
				DRAWING NO	
				RESTRICTED TO	
				A3 00779	
				C= 1623708	
				SCALE 10:1	
				SHEET 1 OF 1	
				REV BA1	
				CUSTOMER DRAWING	