

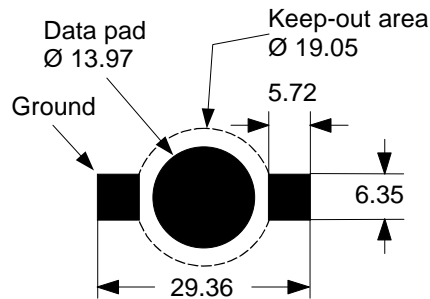
FEATURES

- Compact Single-Piece, All-Metal Clip for *i*button[®] Mounting
- Lowest Profile *i*Button Mount
- Made from 0.25mm Thick Tin-Plated Phosphor Bronze
- Withstands High Temperatures Required for Surface Mounting
- Can be Soldered, Riveted, or Screw-Mounted
- Compatible with Leaded and Lead-Free Solder Processes
- Available for F3 and F5 *i*Button

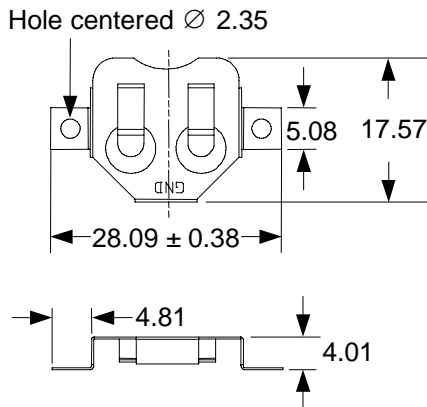
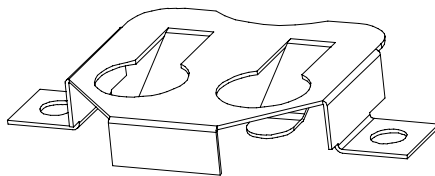
ORDERING INFORMATION

- | | |
|------------|-----------------------------|
| DS9094SM3+ | Clip for F3 <i>i</i> Button |
| DS9094SM5+ | Clip for F5 <i>i</i> Button |

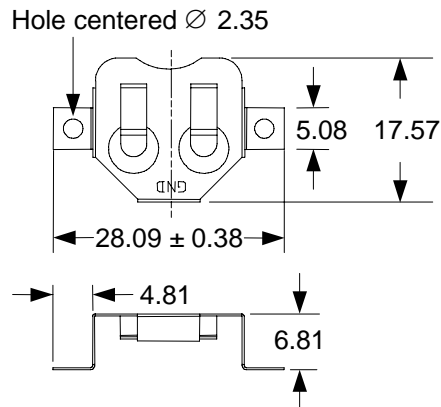
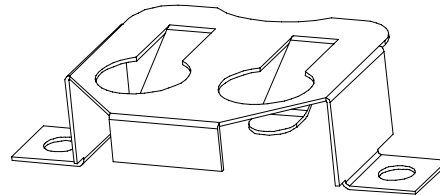
MOUNTING PAD LAYOUT



DS9094SM3



DS9094SM5



All dimensions are in millimeters.

DESCRIPTION

The DS9094SM is a low-cost, surface-mount device that retains a 16.3mm *i*Button on a printed circuit board. Two springs that double as ground contacts press the *i*Button to the data pad on the printed circuit board. The *i*Button can be inserted and extracted without special tools. For best results the data contact on the printed circuit board should be plated with a layer of minimum 0.76µm hard gold over minimum 3.81µm nickel.

*i*Button is a registered trademark of Dallas Semiconductor.