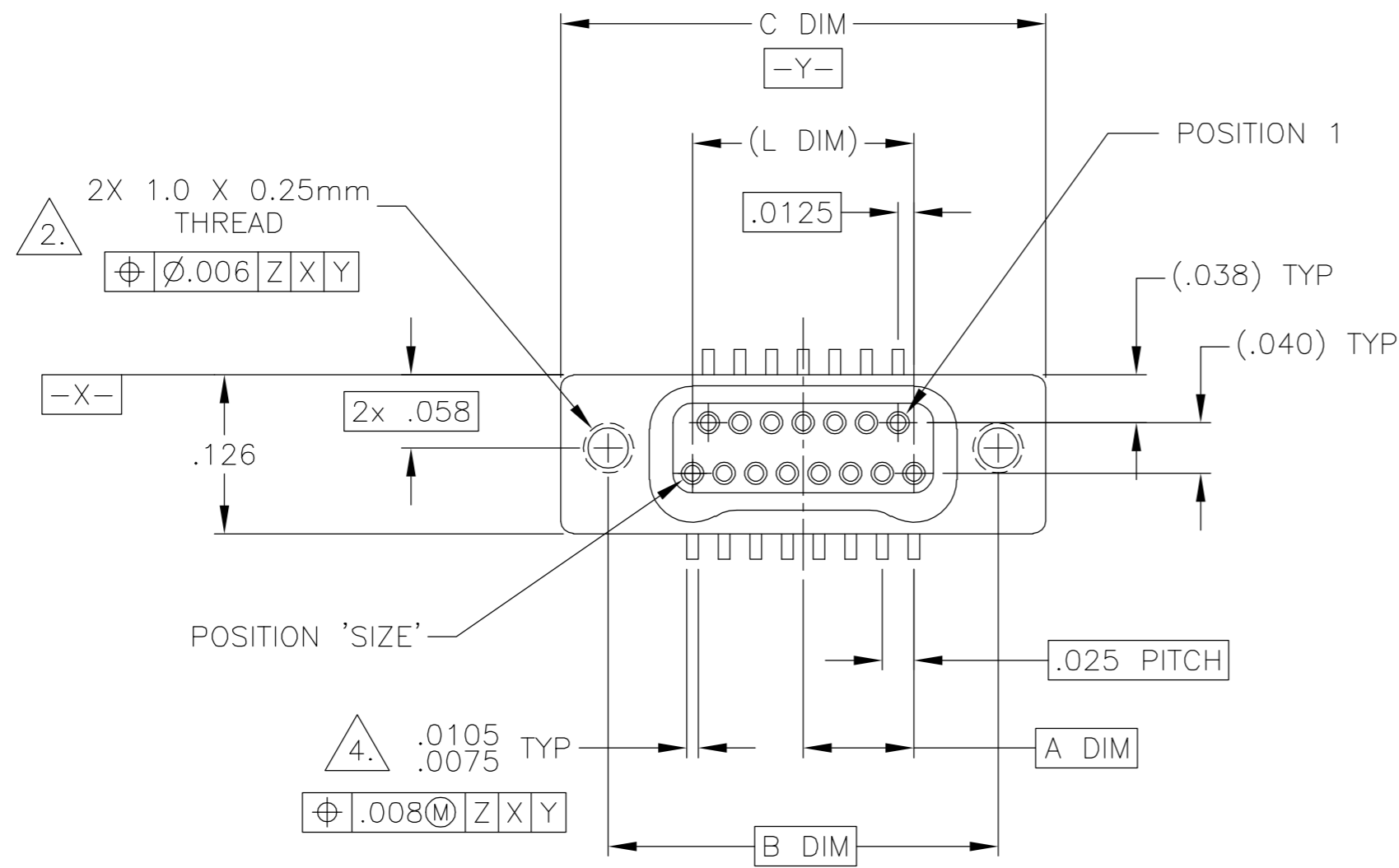
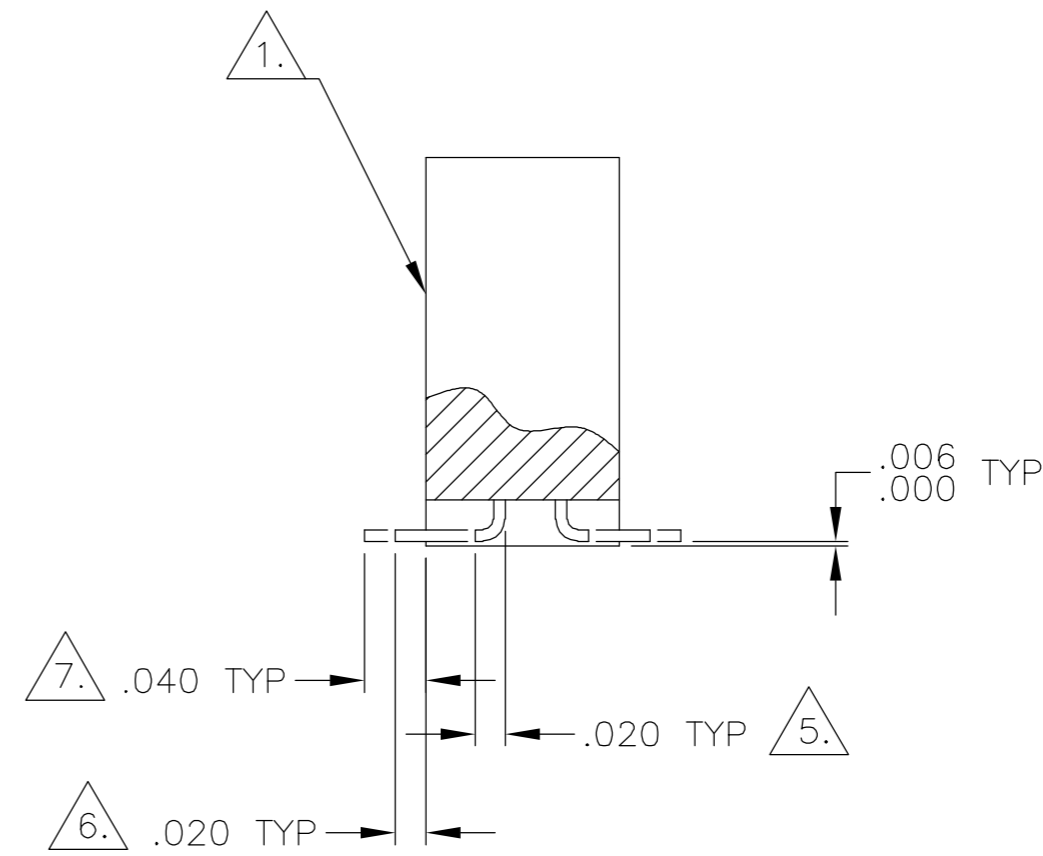
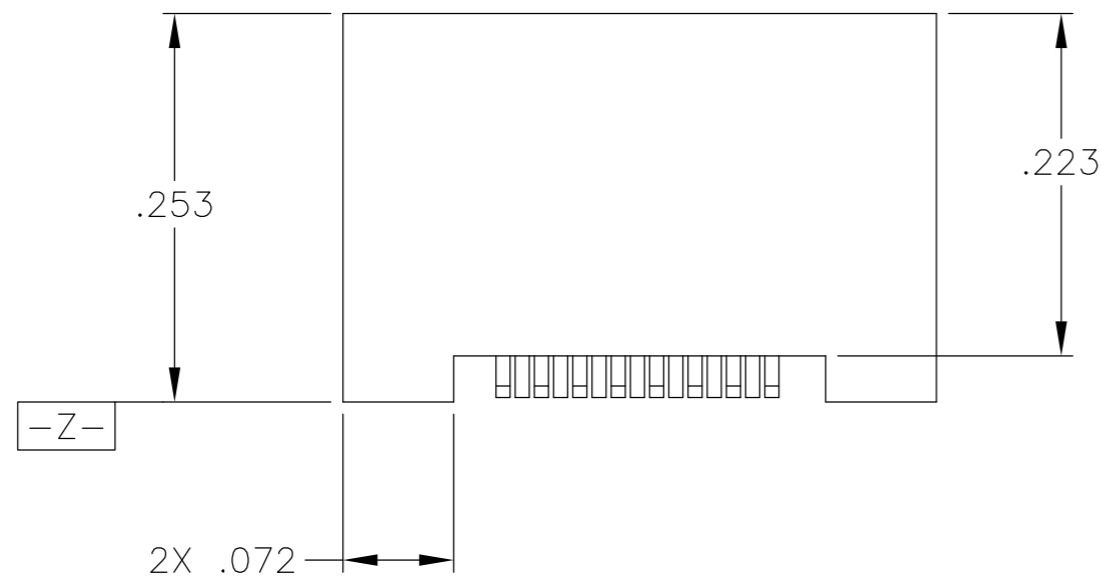


THIS DRAWING IS UNPUBLISHED. RELEASED FOR PUBLICATION
 © COPYRIGHT BY TYCO ELECTRONICS CORPORATION. ALL RIGHTS RESERVED.

| LOC | | DIST | | REVISIONS | | | |
|-----|-----|-------------------------|--|-----------|-----|------|--|
| P | LTR | DESCRIPTION | | DATE | DWN | APVD | |
| | D | UPDATE PER 0H2Y-0164-04 | | 12 MAY 04 | CAS | MKS | |



| SIZE | A DIM | B DIM | C DIM ±.0050 | (L DIM) |
|------|-------|-------|-----------------|---------|
| 09 | .050 | .229 | .3085 | (.100) |
| 15 | .0875 | .304 | .3835 | (.175) |
| 25 | .150 | .429 | .5085 | (.300) |
| 37 | .225 | .579 | .6585 | (.450) |
| 51 | .3125 | .754 | .8335 | (.625) |
| 65 | .400 | .929 | 1.0085 | (.800) |

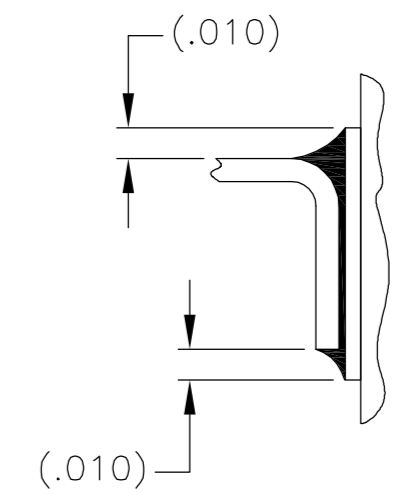
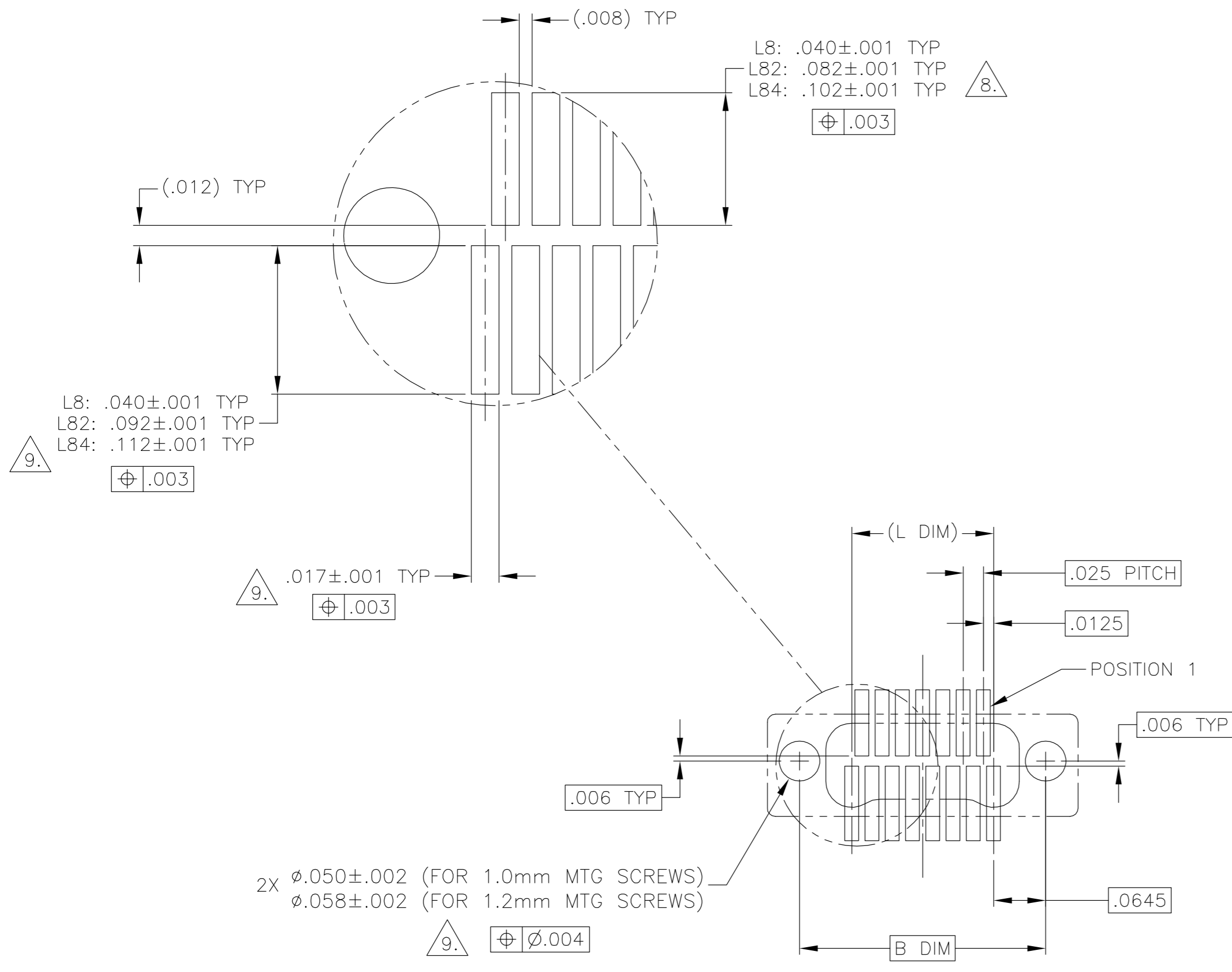


- 1. SHELL OPTIONS (TO BE SPECIFIED IN NANONICS PART NUMBER):
 METAL: 6061-T6 ALUMINUM, ELECTROLESS NICKEL PLATED PER MIL-C-26074 (STANDARD) OR GOLD PLATED PER MIL-G-45204
 303 STAINLESS STEEL, PASSIVATED PER SAE-AMS-QQ-P-35
 INSULATOR MATERIAL FOR ALL METAL SHELLS IS LIQUID CRYSTAL POLYMER (LCP) PER MIL-M-24519 OR PER ASTM D5138
- 2. STANDARD 1.0 X 0.25mm JACKSCREW AND MOUNTING THREADS ARE SHOWN FOR REFERENCE ONLY AND MUST BE SPECIFIED IN THE NANONICS PART NUMBER WHEN REQUIRED. 1.2 X 0.25mm THREADS ALSO AVAILABLE.
- 3. MOUNTING HARDWARE IS AVAILABLE WITH THIS CONFIGURATION (NOT SHOWN). HARDWARE MUST BE SPECIFIED IN THE NANONICS PART NUMBER. CONSULT TYCO ELECTRONICS FOR DETAILS.
- 4. SMT LEADS ARE BeCu, TIN LEAD PLATED 60/40 COMPOSITION PER SAE-AMS-P-81728.
- 5. NANONICS TERMINATION CODE: L8 6. NANONICS TERMINATION CODE: L82 7. NANONICS TERMINATION CODE: L84
- 8. THIS DRAWING PREVIOUSLY IDENTIFIED AS NANONICS N10138/246

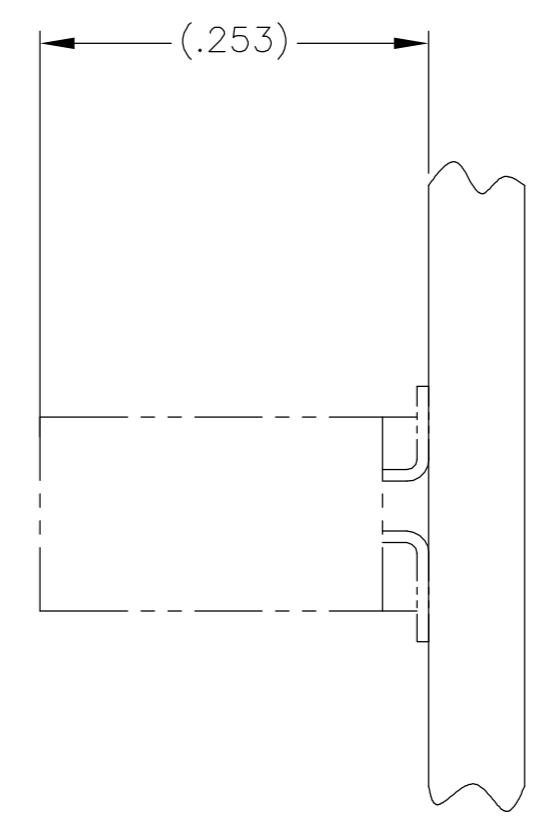
| | | | |
|---|--|------------------------------|--|
| THIS DRAWING IS A CONTROLLED DOCUMENT. | | DWN C. SCHOLL 2 APR 01 | Tyco Electronics Corporation Harrisburg, PA 17105 |
| DIMENSIONS: INCHES | | CHK M. STORRY 2 APR 01 | |
| TOLERANCES UNLESS OTHERWISE SPECIFIED: | | APVD - | NAME |
| 0 PLC ± - 1 PLC ± - 2 PLC ± .010 3 PLC ± .005 4 PLC ± - ANGLES ± 1 | | PRODUCT SPEC - | RECEPTACLE ASSEMBLY, VERTICAL SURFACE MOUNT, TWO ROW DUALLOBE, METAL, W/INTEGRATED STANDOFFS |
| MATERIAL SEE NOTES | | FINISH SEE NOTES | WEIGHT - |
| SCALE 8:1 | | SHEET 1 OF 2 | REV D |
| CUSTOMER DRAWING | | SIZE A2 | CAGE CODE 00779 |
| | | DRAWING NO C=1589486 | RESTRICTED TO - |

THIS DRAWING IS UNPUBLISHED. RELEASED FOR PUBLICATION
 © COPYRIGHT BY TYCO ELECTRONICS CORPORATION. ALL RIGHTS RESERVED.

| LOC | DIST | REVISIONS | | | | | |
|-----|------|-----------|-----|-------------------------|-----------|-----|------|
| DF | DO | P | LTR | DESCRIPTION | DATE | DWN | APVD |
| | | D | | UPDATE PER 0H2Y-0164-04 | 12 MAY 04 | CAS | MKS |



TYPICAL FOOT PLACEMENT ON SOLDER PAD



SIZE 15 SHOWN FOR REFERENCE

TYPICAL PCB LAYOUT

9. POSITIONAL TOLERANCES FOR BASIC DIMENSIONED FEATURES ARE RELATIVE TO FIDUCIALS OR SOME SIMILAR DATUM REFERENCE DEFINED BY THE PCB DESIGNER.

| | | | | |
|--|--|------------------------------|--|---------------|
| THIS DRAWING IS A CONTROLLED DOCUMENT. | | DWN C. SCHOLL 2 APR 01 | Tyco Electronics Corporation Harrisburg, PA 17105 | |
| DIMENSIONS: INCHES | | CHK M. STORRY 2 APR 01 | RECEPTACLE ASSEMBLY, VERTICAL SURFACE MOUNT, TWO ROW DUALLOBE, METAL, W/INTEGRATED STANDOFFS | |
| TOLERANCES UNLESS OTHERWISE SPECIFIED: | | APVD - | NAME | RESTRICTED TO |
| 0 PLC ± - | | PRODUCT SPEC | SIZE | |
| 1 PLC ± - | | APPLICATION SPEC | CAGE CODE | |
| 2 PLC ± - | | | DRAWING NO | |
| 3 PLC ± - | | | A2 00779 | C=1589486 |
| 4 PLC ± - | | | SCALE | 8:1 |
| ANGLES ± - | | WEIGHT | SHEET | 2 OF 2 |
| FINISH | | CUSTOMER DRAWING | REV | D |