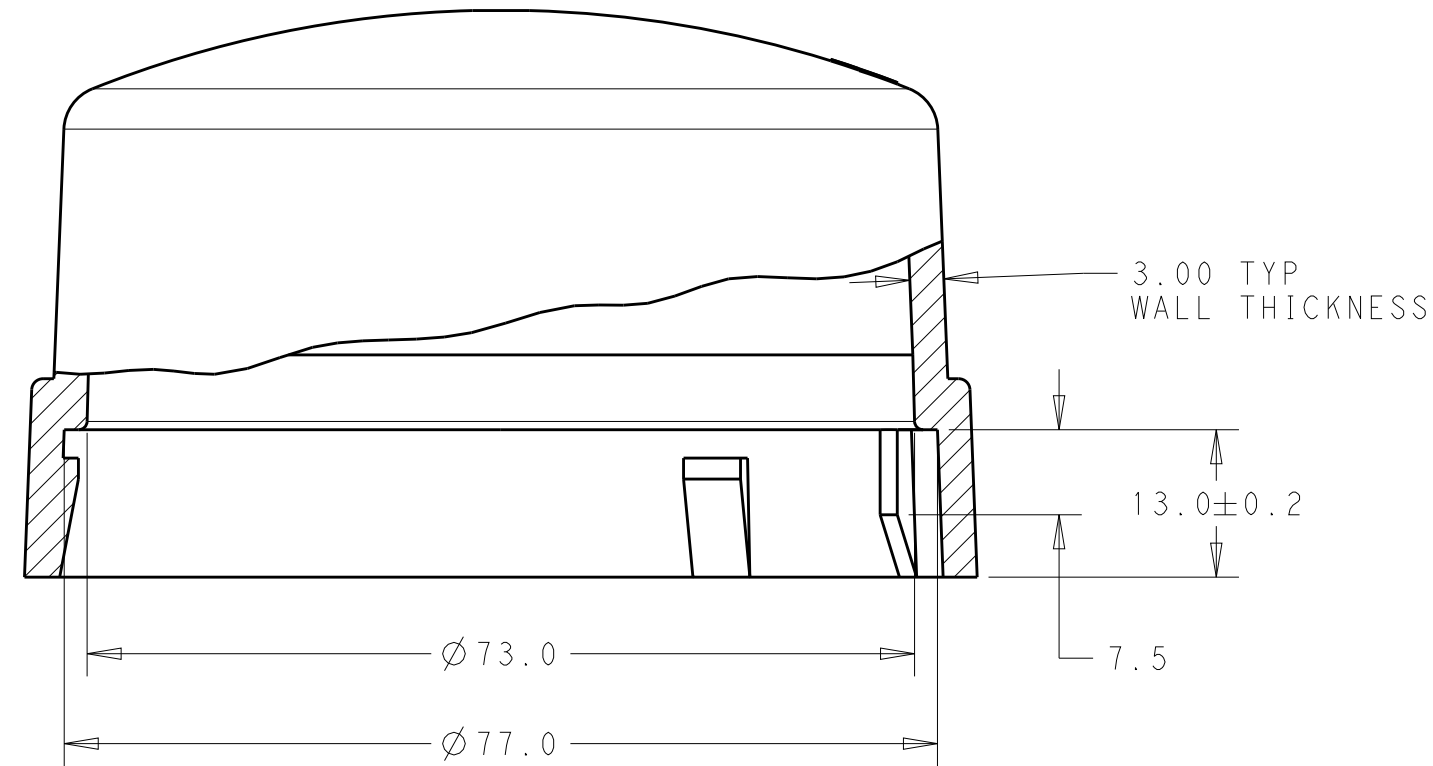
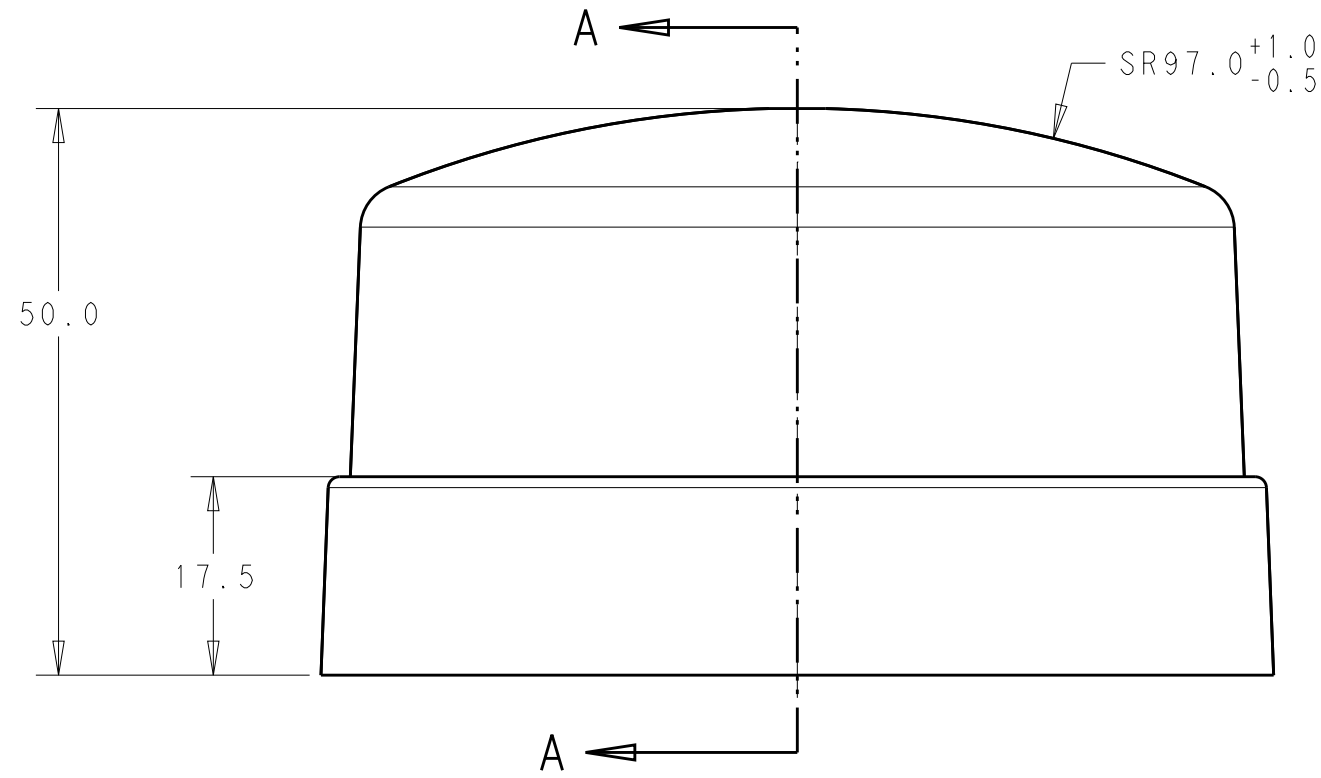


THIS DRAWING IS UNPUBLISHED. RELEASED FOR PUBLICATION 20
 © COPYRIGHT 20 BY - ALL RIGHTS RESERVED.

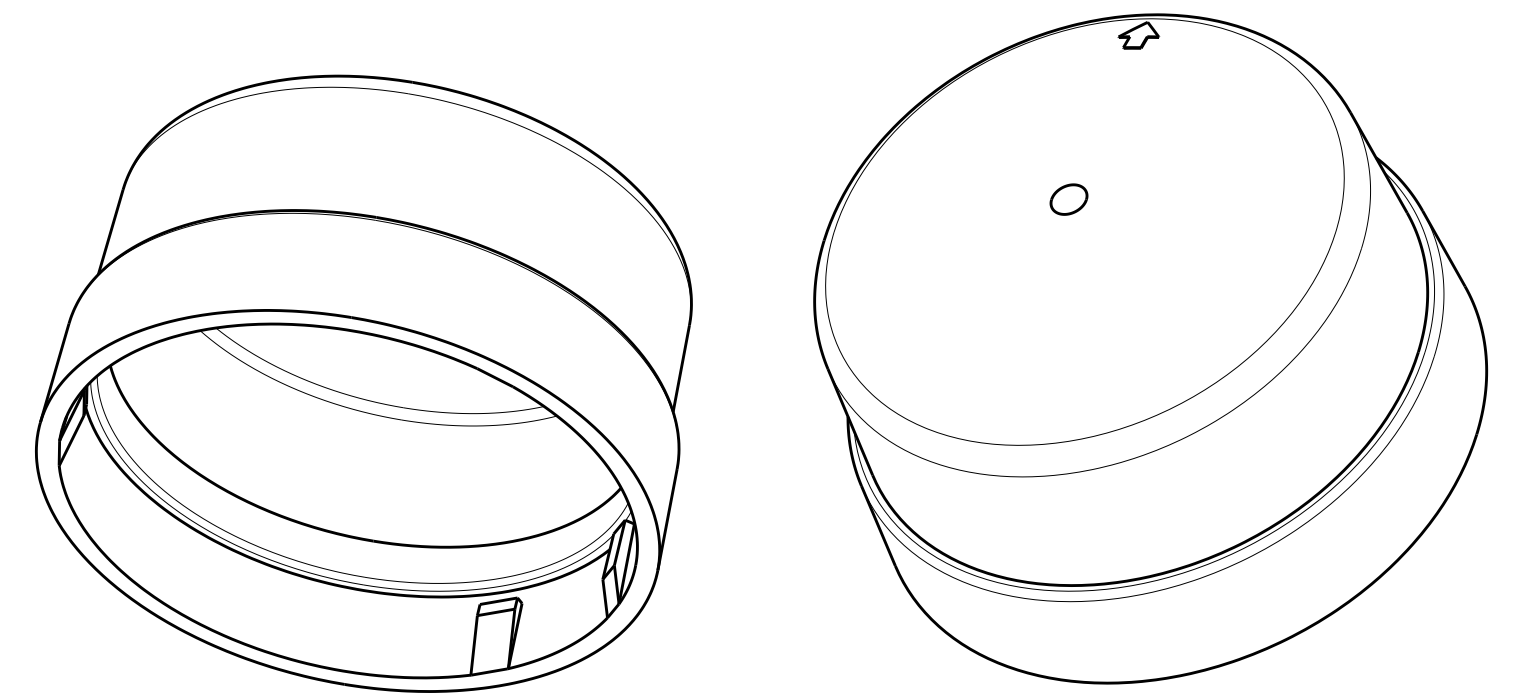
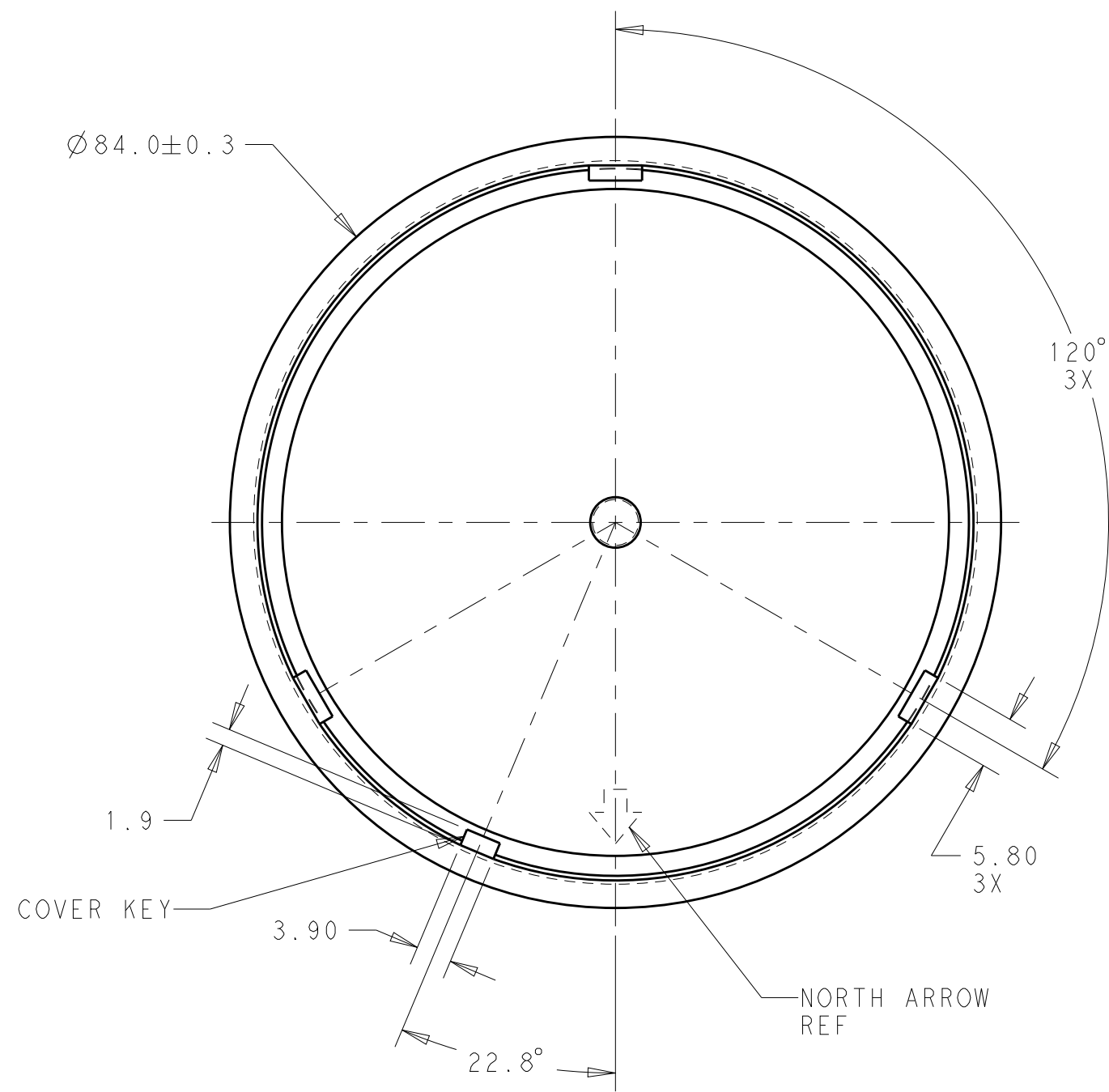
REVISIONS				
P	LTR	DESCRIPTION	DATE	APVD
	A	REVISED PER ECO-17-010638	21 JUL 2017	RK DD

NOTES:

- 1 MATERIALS:
HOUSING: POLYCARBONATE, UV 5VA RATED
COLOR: SEE TABLE
- 2 MATING BASE TE P/N: 2213730-X
- 3. THIS PRODUCT HAS NOT COMPLETED VALIDATION TESTING.



SECTION A-A



78%	TRANSLUCENT CLEAR	1-2306128-1
24%	TRANSLUCENT SMOKE GRAY	2306128-1
APPROX LIGHT TRANSMISSION COLOR		PART NO.

THIS DRAWING IS A CONTROLLED DOCUMENT.		DWN J. SHAFFER 07 JUL 2016	STE TE Connectivity	
		CHK E. HOWARD 07 JUL 2016		
DIMENSIONS: mm		TOLERANCES UNLESS OTHERWISE SPECIFIED:		NAME COVER, LIGHT CONTROLLER, SHORT, 76 DIA
0 PLC ±		1 PLC ±0.3		PRODUCT SPEC 108-32125
1 PLC ±0.25		2 PLC ±		APPLICATION SPEC 114-32159
2 PLC ±		3 PLC ±		WEIGHT -
3 PLC ±		4 PLC ±		SIZE A2
ANGLES ±3°		FINISH		CAGE CODE -
MATERIAL -		CUSTOMER DRAWING		DRAWING NO C-2306128
		SCALE 1:1		RESTRICTED TO -
		SHEET 1 OF 1		REV A