

PLEASE CHECK WWW.MOLEX.COM FOR LATEST PART INFORMATION

Part Number: **0780350201**
Status: **Active**
Description: 0.60mm (.024") Pitch miniDIMM DDR2 Socket, Surface Mount, 22.5° Reverse Angle, 0.76µm (30µ") Gold (Au) Plating, Off-White Latches, with Pick-and-Place Cap, 200 Circuits, 1.8V Voltage Key, Lead-free

Documents:

[3D Model](#) [Product Specification PS-78035-001 \(PDF\)](#)
[Drawing \(PDF\)](#) [RoHS Certificate of Compliance \(PDF\)](#)

Agency Certification

CSA LR 19980
 UL E29179

General

Product Family Memory Module Sockets
 Series [78035](#)
 Comments Latches in Off-White Color
 Component Type Socket
 JEDEC Outline MO-258
 Product Name MiniDIMM

Physical

Circuits (Loaded) 200
 Color - Resin Black, Natural (White)
 Durability (mating cycles max) 25
 Entry Angle 22.5° Angle
 Flammability 94V-0
 Keying to Mating Part Yes
 Material - Metal Copper Alloy
 Material - Plating Mating Gold
 Material - Plating Termination Tin
 Material - Resin High Temperature Thermoplastic
 PCB Locator Yes
 PCB Retention Yes
 Packaging Type Tray
 Pitch - Mating Interface (in) 0.024 In
 Pitch - Mating Interface (mm) 0.60 mm
 Plating min: Mating (µin) 30
 Plating min: Mating (µm) 0.76
 Plating min: Termination (µin) 100
 Plating min: Termination (µm) 2.54
 Temperature Range - Operating -10°C to +85°C
 Termination Interface: Style Surface Mount

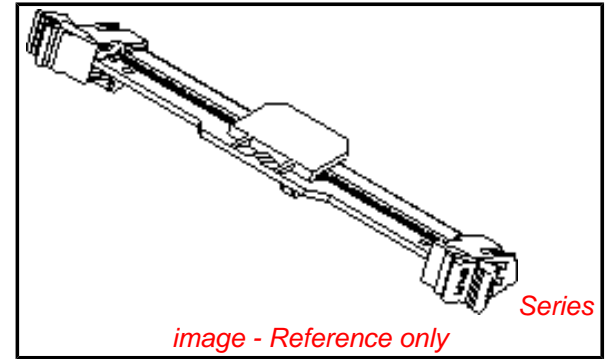
Electrical

Current - Maximum per Contact 1A
 Voltage - Maximum 30V
 Voltage Key 1.8V

Solder Process Data

Duration at Max. Process Temperature (seconds) 5
 Lead-free Process Capability Reflow Capable (SMT only)
 Max. Cycles at Max. Process Temperature 1
 Process Temperature max. C 260

Material Info



EU RoHS

**ELV and RoHS
 Compliant**
REACH SVHC
 Not Reviewed
**Halogen-Free
 Status**
 Not Reviewed

China RoHS



**Need more information on product
 environmental compliance?**

Email productcompliance@molex.com
 For a multiple part number RoHS Certificate of Compliance, [click here](#)

Please visit the [Contact Us](#) section for any non-product compliance questions.

Search Parts in this Series

[78035Series](#)

Mates With

JEDEC MO-258 modules

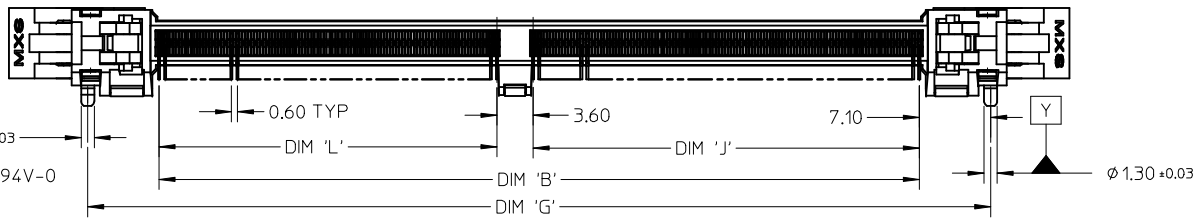
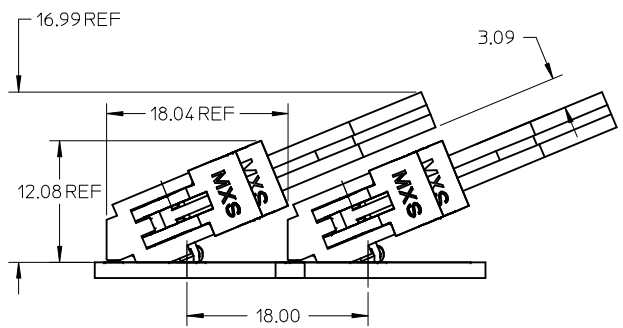
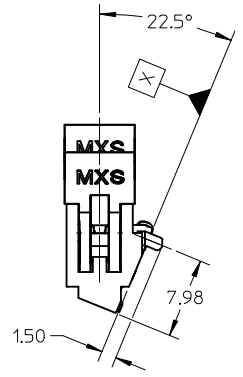
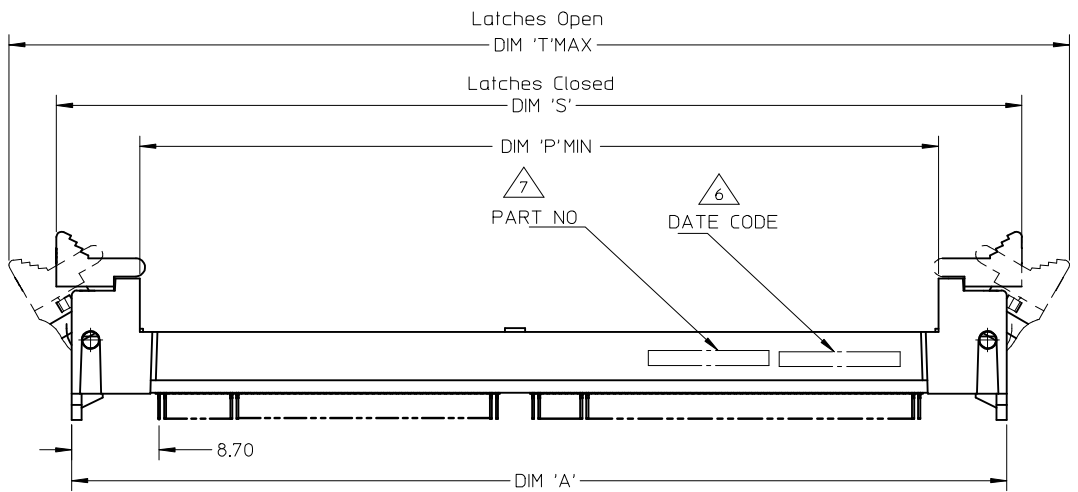
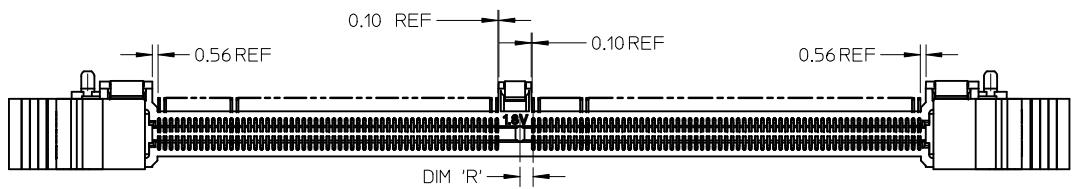
Reference - Drawing Numbers

Product Specification
Sales Drawing

PS-78035-001
SD-78035-001

This document was generated on 04/13/2010

PLEASE CHECK WWW.MOLEX.COM FOR LATEST PART INFORMATION



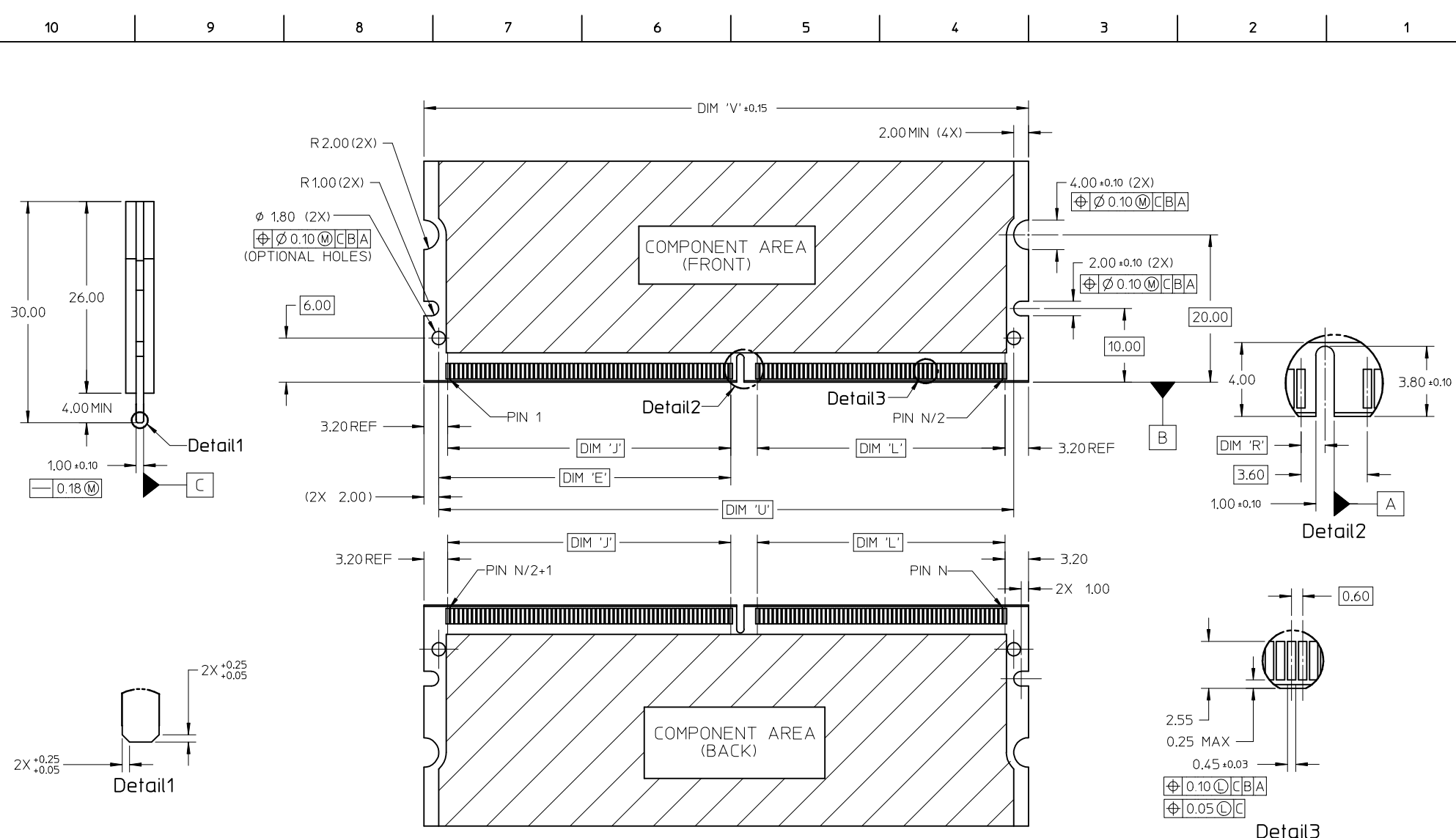
MINIMUM HEIGHT OF SOCKET WITH
MODULE CARD HEIGHT OF 30.00MM
AND THICKNESS OF 4MM.

- NOTES :
- MATERIAL :
HOUSING : HIGH TEMPERATURE LIQUID CRYSTAL POLYMER, UL94V-0
COLOUR : BLACK
CONTACTS : COPPER ALLOY
LATCHES : HIGH TEMPERATURE NYLON, UL94V-0
COLOUR : NATURAL (OFF-WHITE)
COVER : HIGH TEMPERATURE NYLON, UL 94V-0
COLOUR : BLACK

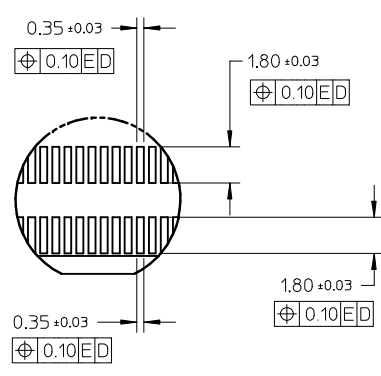
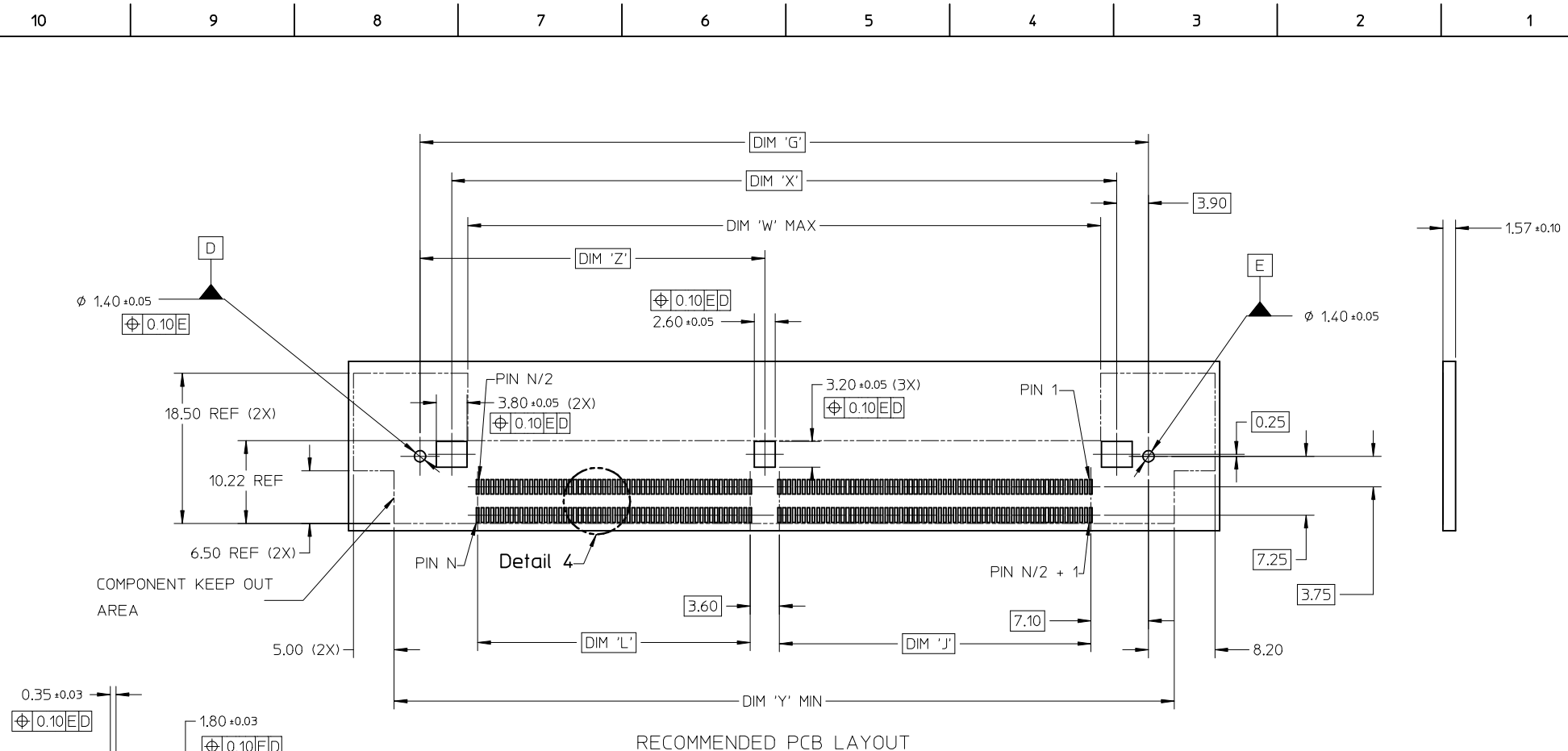
- FINISH
CONTACTS : 0.76 MICROMETER (30 MICROINCH) MIN GOLD OVER
1.25 MICROMETER (50 MICROINCH) MIN NICKEL
SMT TAIL : 2.54 MICROMETER (100 MICROINCH) MIN TIN OVER
1.25 MICROMETER (50 MICROINCH) MIN NICKEL
- ACCEPTS 1.0mm THICK MEMORY MODULE PER JEDEC MO-244 FOR 244 CKTS AND MO-258 FOR 200 CKTS.
- PRODUCT SPECIFICATION : PS-78035-001.
- PRODUCT SHALL BE PACKED IN TRAY

- △ DATE CODE SHALL BE MARKED LEGIBLY AS SHOWN : YY DDD.
- △ PART NUMBER SHALL BE MARKED LEGIBLY AS SHOWN : 78035-XXXX (REFER TO TABLE).

NEW COVER EC NO: S2010-0004 DRWN: TARUNGHAM 2009/08/12 CHKD: GGTAN 2009/08/12 APPR: SHLENI 2009/08/17	QUALITY SYMBOLS ▽=0 ▽=0	GENERAL TOLERANCES (UNLESS SPECIFIED)		DIMENSION STYLE MM ONLY		SCALE NTS	DESIGN UNITS METRIC	THIRD ANGLE PROJECTION		
		mm	INCH	DRAWN BY YTYANGO1	DATE 2005/08/12	TITLE MINI DIMM, 0.60MM PITCH 200/244 CKTS, REV. ANGLE 22.5 DEG, SMT				
		4 PLACES ± --- ± ---	3 PLACES ± --- ± ---	CHECKED BY SHLENI	DATE 2005/08/25	MATERIAL NO. SD-78035-001				
		2 PLACES ± 0.13 ± ---	1 PLACE ± 0.25 ± ---	APPROVED BY GGLEE	DATE 2005/08/25	SHEET NO. 1 OF 5				
DRAFT WHERE APPLICABLE MUST REMAIN WITHIN DIMENSIONS		ANGULAR ± 1 °		SEE TABLE		THIS DRAWING CONTAINS INFORMATION THAT IS PROPRIETARY TO MOLEX INCORPORATED AND SHOULD NOT BE USED WITHOUT WRITTEN PERMISSION				

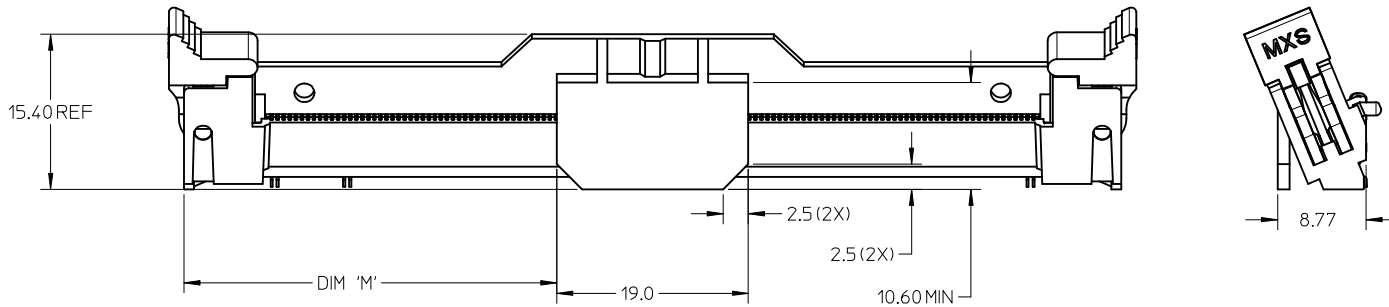


NEW COVER EC NO: S2010-0004 DRWN: TARUNGHAM 2009/08/12 CHKD: GGTAN 2009/08/12 APPR: SHLENI 2009/08/17	QUALITY SYMBOLS ▽=0 ▽=0	GENERAL TOLERANCES (UNLESS SPECIFIED) <table border="1"> <thead> <tr> <th></th> <th>mm</th> <th>INCH</th> </tr> </thead> <tbody> <tr> <td>4 PLACES</td> <td>± ---</td> <td>± ---</td> </tr> <tr> <td>3 PLACES</td> <td>± ---</td> <td>± ---</td> </tr> <tr> <td>2 PLACES</td> <td>± 0.13</td> <td>± ---</td> </tr> <tr> <td>1 PLACE</td> <td>± 0.25</td> <td>± ---</td> </tr> <tr> <td colspan="3">ANGULAR ± 1 °</td> </tr> </tbody> </table>		mm	INCH	4 PLACES	± ---	± ---	3 PLACES	± ---	± ---	2 PLACES	± 0.13	± ---	1 PLACE	± 0.25	± ---	ANGULAR ± 1 °			DIMENSION STYLE MM ONLY	SCALE NTS	DESIGN UNITS METRIC	THIRD ANGLE PROJECTION
		mm	INCH																					
	4 PLACES	± ---	± ---																					
	3 PLACES	± ---	± ---																					
2 PLACES	± 0.13	± ---																						
1 PLACE	± 0.25	± ---																						
ANGULAR ± 1 °																								
		DRAWN BY: YTYANG01 CHECKED BY: SHLENI APPROVED BY: GGLEE	DATE: 2005/08/12 DATE: 2005/08/25 DATE: 2005/08/25	TITLE MINI DIMM, 0.60MM PITCH 200/244 CKTS, REV. ANGLE 22.5 DEG, SMT	MOLEX INCORPORATED	SHEET NO. 2 OF 5																		
	DRAFT WHERE APPLICABLE MUST REMAIN WITHIN DIMENSIONS	SEE TABLE	DOCUMENT NO. SD-78035-001	THIS DRAWING CONTAINS INFORMATION THAT IS PROPRIETARY TO MOLEX INCORPORATED AND SHOULD NOT BE USED WITHOUT WRITTEN PERMISSION																				



Detail 4

NEW COVER EC NO: S2010-0004 DRWN: TARUMUGHAM 2009/08/12 CHKD: CGTAN 2009/08/12 APPR: SHLENI 2009/08/17	QUALITY SYMBOLS ▽=0 ◻=0	GENERAL TOLERANCES (UNLESS SPECIFIED) <table border="1"> <thead> <tr> <th></th> <th>mm</th> <th>INCH</th> </tr> </thead> <tbody> <tr> <td>4 PLACES</td> <td>± ---</td> <td>± ---</td> </tr> <tr> <td>3 PLACES</td> <td>± ---</td> <td>± ---</td> </tr> <tr> <td>2 PLACES</td> <td>± 0.13</td> <td>± ---</td> </tr> <tr> <td>1 PLACE</td> <td>± 0.25</td> <td>± ---</td> </tr> </tbody> </table>		mm	INCH	4 PLACES	± ---	± ---	3 PLACES	± ---	± ---	2 PLACES	± 0.13	± ---	1 PLACE	± 0.25	± ---	DIMENSION STYLE MM ONLY	SCALE NTS	DESIGN UNITS METRIC	THIRD ANGLE PROJECTION
		mm	INCH																		
	4 PLACES	± ---	± ---																		
	3 PLACES	± ---	± ---																		
2 PLACES	± 0.13	± ---																			
1 PLACE	± 0.25	± ---																			
DESCRIPTION D	DRAFT WHERE APPLICABLE MUST REMAIN WITHIN DIMENSIONS	DRAWN BY YTYANG01	DATE 2005/08/12	TITLE MINI DIMM, 0.60MM PITCH 200/244 CKTS, REV. ANGLE 22.5 DEG, SMT																	
		APPROVED BY GGLEE	DATE 2005/08/25	MOLEX INCORPORATED																	
		MATERIAL NO. SEE TABLE	DOCUMENT NO. SD-78035-001	SHEET NO. 3 OF 5																	

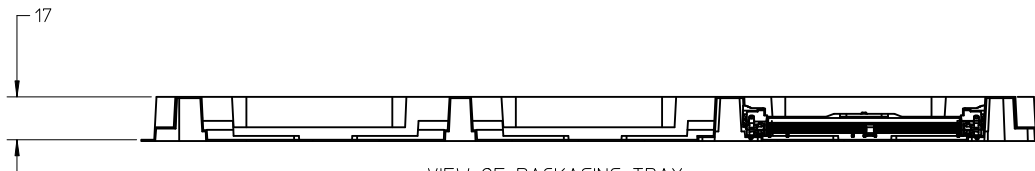
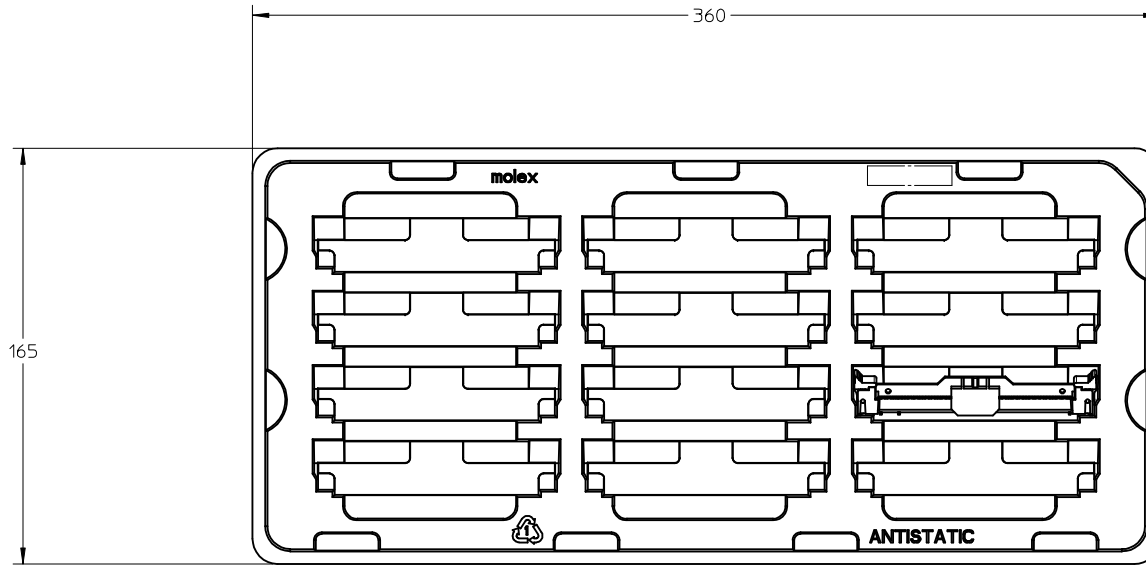


SHOWN WITH PICK & PLACE COVER

CKT SIZE 'N'	PART NUMBER	MODULE CARD	VOLTAGE KEY	DIM 'R'	DIM 'E'	DIM 'J'	DIM 'L'	DIM 'M'	DIM 'P'	DIM 'G'	DIM 'S'	DIM 'T'	DIM 'U'	DIM 'V'	DIM 'W'	DIM 'X'	DIM 'Y'	DIM 'Z'	DIM 'A'	DIM 'B'
244	78035-0001	DDR2	1.8 V	1.30	39.60	38.40	33.60	37.0	79.0	89.80	96.0	106.20	78.00	82.00	78.0	82.00	96.20	42.50	93.0	75.60
	78035-0301	DDR3	1.5 V	2.30																
200	78035-0201	DDR2	1.8 V	1.30	24.60	23.40	35.40	30.4	65.8	76.60	82.8	93.00	64.80	68.80	64.8	68.80	83.00	44.30	79.8	62.40
	78035-0202	DDR	2.5 V	2.30																

NEW COVER EC NO: S2010-0004 DRWN: TARUIGHAM 2009/08/12 CHKD: CGTAN 2009/08/12 APPR: SHLENI 2009/08/17	QUALITY SYMBOLS	GENERAL TOLERANCES (UNLESS SPECIFIED)	DIMENSION STYLE	SCALE	DESIGN UNITS	THIRD ANGLE PROJECTION	
	$\nabla=0$ $\square=0$	mm INCH 4 PLACES ± --- ± --- 3 PLACES ± --- ± --- 2 PLACES ± 0.13 ± --- 1 PLACE ± 0.25 ± --- ANGULAR ± 1 °	MM ONLY	NTS	METRIC		
	DESCRIPTION	DRAFT WHERE APPLICABLE MUST REMAIN WITHIN DIMENSIONS	DRAWN BY: YTYANG01 DATE: 2005/08/12 CHECKED BY: SHLENI DATE: 2005/08/25 APPROVED BY: GGLEE DATE: 2005/08/25 MATERIAL NO.	TITLE	MINI DIMM, 0.60MM PITCH 200/244 CKTS, REV. ANGLE 22.5 DEG, SMT		
	REV		SEE TABLE	MOLEX INCORPORATED		DOCUMENT NO.	SHEET NO.

10 9 8 7 6 5 4 3 2 1



VIEW OF PACKAGING TRAY

NOTES:

1. QTY OF CAVITY: 3 X 4 = 12 PCS

NEW COVER EC NO: S2010-0004 DRWN: TARUMUGHAM 2009/08/12 CHKD: CGTAN 2009/08/12 APPR: SHLENI 2009/08/17	DESCRIPTION REV	QUALITY SYMBOLS ▽=0 ◻=0	GENERAL TOLERANCES (UNLESS SPECIFIED)		DIMENSION STYLE MM ONLY		SCALE NTS	DESIGN UNITS METRIC	THIRD ANGLE PROJECTION		
			4 PLACES ± --- ± --- 3 PLACES ± --- ± --- 2 PLACES ± 0.13 ± --- 1 PLACE ± 0.25 ± ---	mm INCH ± --- ± --- ± 0.13 ± --- ± 0.25 ± ---	DRAWN BY YTYANG01	DATE 2005/08/12	TITLE MINI DIMM, 0.60MM PITCH 200/244 CKTS, REV. ANGLE 22.5 DEG, SMT				
			ANGULAR ± 1 °	CHECKED BY SHLENI	DATE 2005/08/25	MOLEX INCORPORATED					
			DRAFT WHERE APPLICABLE MUST REMAIN WITHIN DIMENSIONS	APPROVED BY GGLEE	DATE 2005/08/25	MATERIAL NO. SEE TABLE	DOCUMENT NO. SD-78035-001	SHEET NO. 5 OF 5			

9 8 7 6 5 4 3 2 1