

4

3

2

1

THIS DRAWING IS UNPUBLISHED.

RELEASED FOR PUBLICATION

2009

© COPYRIGHT 2009

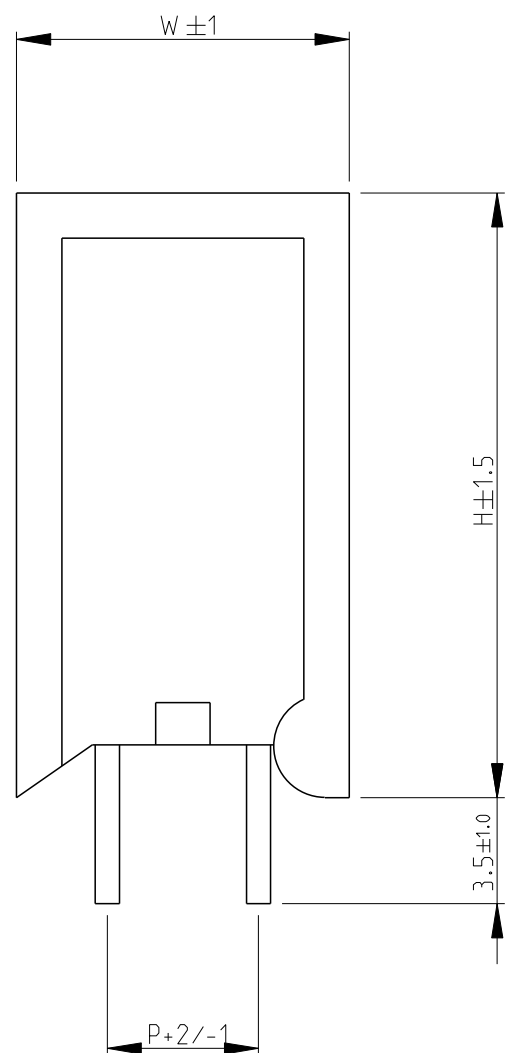
ALL RIGHTS RESERVED.

LOC
E

DIST
B

REVISIONS

P	LTR	DESCRIPTION	DATE	DWN	APVD
	BB	ECR-11-016776	12AUG2011	PSK	JC

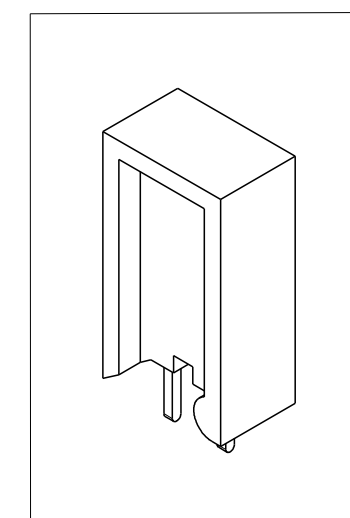


1. FOR FURTHER INFORMATION SEE DATA SHEET FOR SQ SERIES HIGH POWER RESISTOR

2. 0.8 ± 0.1 FOR 3W, 10W AND 0.65 ± 0.1 FOR 2W

P	S	H	W	POWER RATING
5	9	52	13	10W
5	8	25	12	3W
5	7	20	11	2W
$P + 2/-1$	$S \pm 1$	$H \pm 1.5$	$W \pm 1$	POWER RATING

DIMENSIONS



RoHS Compliant

THIS DRAWING IS A CONTROLLED DOCUMENT.

DWN 12OCT2010
PARUSURAM.T

CHK 12OCT2010
ALLAN.P

APVD 12OCT2010
STEPHEN.P

PRODUCT SPEC

APPLICATION SPEC

WEIGHT

CUSTOMER DRAWING

STE TE Connectivity

HIGH POWER RESISTORS
SERIES SQM

NAME
SIZE CAGE CODE DRAWING NO RESTRICTED TO

A3 00779 C-1623781

SCALE 1:1 SHEET 1 OF 1 REV BB

DIMENSIONS:	TOLERANCES UNLESS OTHERWISE SPECIFIED:
mm	
0 PLC	± 0.2
1 PLC	± 0.1
2 PLC	\pm
3 PLC	\pm
4 PLC	\pm
ANGLES	$\pm 5^\circ$
FINISH	-

