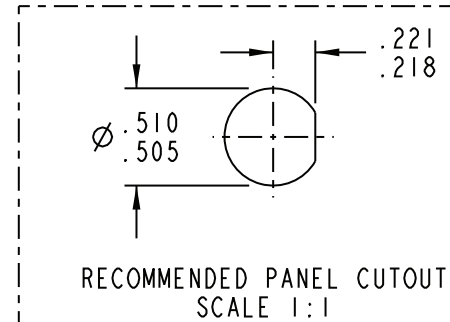
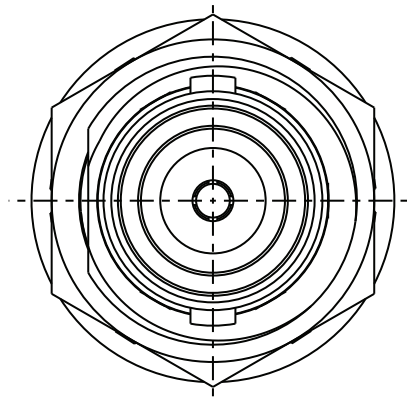
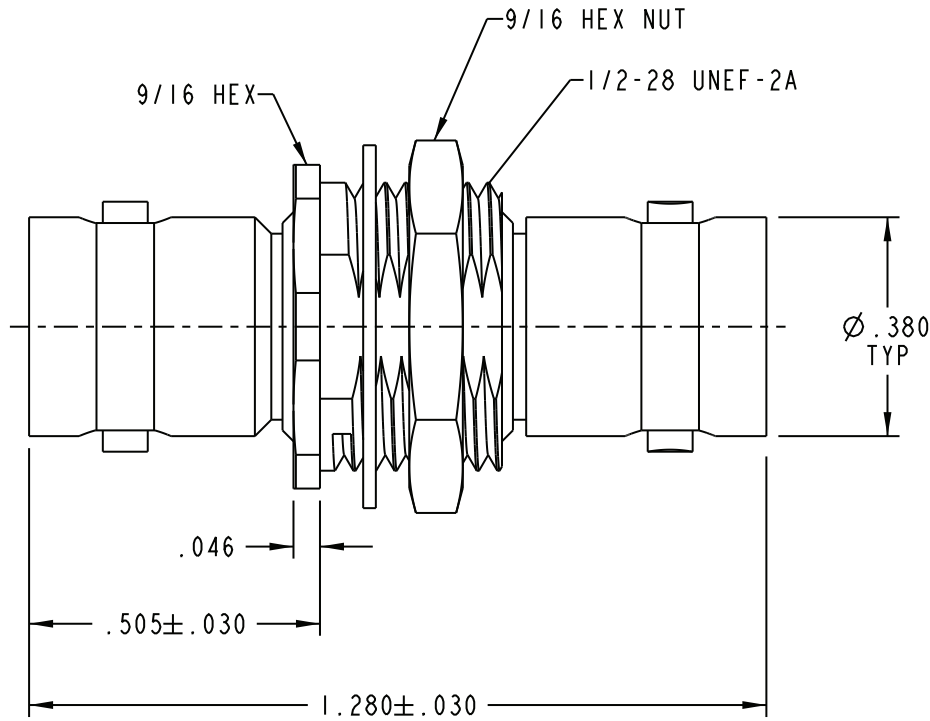


DASH #	MODEL #	IMPEDANCE Ω
-1	BJ28	50
-2	UBJ28	75

DATA CONTAINED IN THIS DOCUMENT IS PROPRIETARY TO EMERSON CONNECTIVITY SOLUTIONS AND SHALL NOT BE DISCLOSED, COPIED OR USED FOR PROCUREMENT OR MANUFACTURE WITHOUT EXPRESS WRITTEN PERMISSION

REVISIONS			
REV	DESCRIPTIONS	DATE	APPROVED
U	ECO 53008	1-26-11	T. KOHLER



3. SOCKET CONTACT COAXIAL BNC TYPE INSULATED FEED THRU BULKHEAD JACK, 50 AND 75 OHM VERSIONS

2. MAX PANEL THK .156

1. FINISH: NICKEL

NOTES: UNLESS OTHERWISE SPECIFIED.

INTERPRET DRAWING PER MIL-STD-100. DIMENSIONS ARE IN INCHES AND INCLUDE FINISH THICKNESS UNLESS OTHERWISE SPECIFIED.		TOL: UNLESS SPECIFIED. .XX ± .XXX ± .005 .XXXX ± ANGLE ± CRITICAL		 Connectivity Solutions 299 Johnson Ave. Ste. 100 Waseca, MN 56093 1-800-247-8256	
DRN B. RYAN	4-18-11	MATERIAL:	TITLE: BJ28/UBJ28		
CHK T. KOHLER	4-19-11	FINISH:	SIZE A	CAGE CODE 14949	DRAWING NO. 1-0133
QUALITY			SCALE 3/1	DATE 9-15-66	REV. U
MANUF		DO NOT SCALE DWG	SHEET 1	OF 2	
APPROVED					
SURFACE AREA	PROJ TITLE NO. 1-0133				