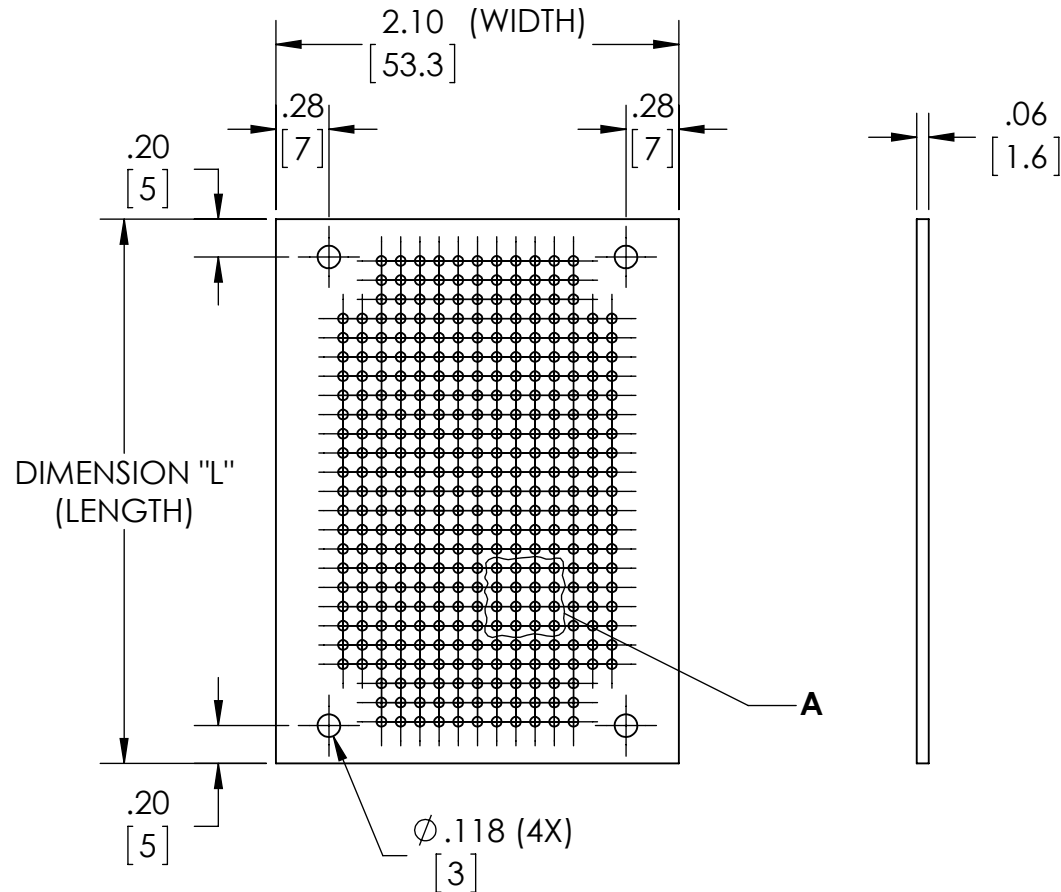


PART
NAME

PRINTED CIRCUIT BOARD

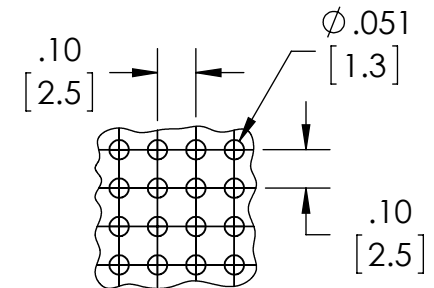
PART
No.EXN-23400-PCB EXN-23401-PCB
EXN-23402-PCBREV.
DATE

10-13-15

DRAWING FOR REFERENCEWE RESERVE THE RIGHT TO MAKE CHANGES TO OUR
STANDARD PRODUCTS. PLEASE CONSULT WITH BUD INDUSTRIES
PRIOR TO USING THIS DRAWING FOR DESIGN PURPOSE.

MATERIAL: GREEN SILICON

DIMENSIONS IN INCH[MM]



CIRCUIT BOARD PART NUMBER	DIMENSION "L" CIRCUIT BOARD LENGTH	FITS EXN-SERIES ENCLOSURES WITH ALUMINUM END PANELS:	FITS EXN-SERIES ENCLOSURES WITH PLASTIC END PANELS:
EXN-23400-PCB	1.26 [32]	EXN-23350-GD, -SV, -RD, -BL, -BK	EXN-23350-GDP, -SVP, -RDP, -BLP, -BKP
EXN-23401-PCB	2.83 [72]	EXN-23351-GD, -SV, -RD, -BL, -BK	EXN-23351-GDP, -SVP, -RDP, -BLP, -BKP
EXN-23402-PCB	4.41 [112]	EXN-23352-GD, -SV, -RD, -BL, -BK	EXN-23352-GDP, -SVP, -RDP, -BLP, -BKP