



2.5Gbps PCI Express Passive Switches

MAX4888/MAX4889

General Description

The MAX4888/MAX4889 high-speed passive switches route PCI Express® (PCIe) data between two possible destinations. The MAX4888 is a quad single-pole/double-throw (4 x SPDT) switch ideally suited for switching two half lanes of PCIe data between two destinations. The MAX4889 is an octal single-pole/double-throw (8 x SPDT) switch ideal for switching four half lanes of PCIe data between four destinations. The MAX4888/MAX4889 feature a single digital control input (SEL) to switch signal paths.

The MAX4888/MAX4889 are fully specified to operate from a single 3.0V to 3.6V power supply and also operate down to +1.65V. The MAX4888 is available in a 3.5mm x 5.5mm, 28-pin TQFN package. The MAX4889 is available in a 3.5mm x 9.0mm, 42-pin TQFN package. Both devices operate over the -40°C to +85°C temperature range.

Applications

- Desktop Computers
- Servers/Storage Area Networks
- Laptops

PCI Express is a registered trademark of PCI-Sig Corp.

Features

- ◆ Single 1.65V to 3.6V Power-Supply Voltage
- ◆ Low Same-Pair Skew of 7ps
- ◆ Low 120µA (Max) Quiescent Current
- ◆ Supports PCIe Gen I Data Rates
- ◆ Flow-Through Pin Configuration for Ease of Layout
- ◆ Industry-Compatible Pinout
- ◆ Lead-Free Packaging

Ordering Information/Selector Guide

PART	PIN-PACKAGE	CONFIGURATION	PKG CODE
MAX4888ETI+	28 TQFN-EP*	Two Half Lanes	T283555-1
MAX4889ETO+	42 TQFN-EP*	Four Half Lanes	T423590M-1

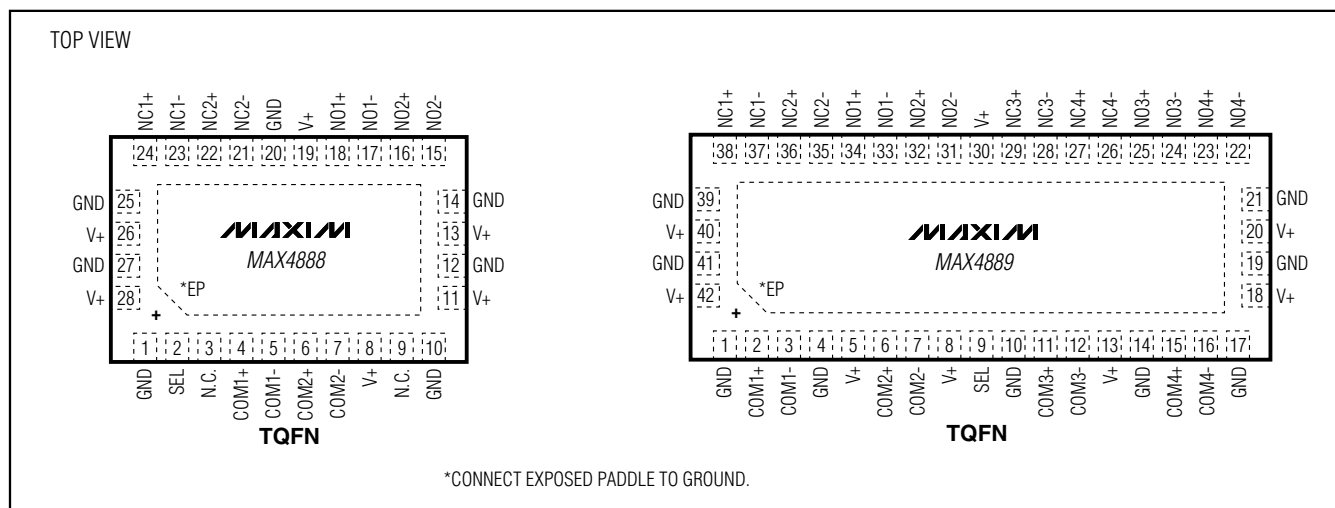
Note: All devices are specified over the -40°C to +85°C operating temperature range.

+ Denotes lead-free package.

*EP = Exposed paddle.

Typical Application Circuit appears at end of data sheet.

Pin Configurations



2.5Gbps PCI Express Passive Switches

ABSOLUTE MAXIMUM RATINGS

(All voltages referenced to GND, unless otherwise noted.)

V+	-0.3V to +4V
SEL, COM_, NO_, NC_ (Note 1)	-0.3V to (V+ + 0.3V)
I COM_ - NO_ I, I COM_ - NC_ I (Note 1)	0 to 2V
Continuous Current (COM_ to NO_/NC_)	±70mA
Peak Current (COM_ to NO_/NC_)	
(pulsed at 1ms, 10% duty cycle)	±70mA
Continuous Current (SEL)	±30mA
Peak Current (SEL)	
(pulsed at 1ms, 10% duty cycle)	±150mA

Continuous Power Dissipation (T_A = +70°C)

28-Pin TQFN (derate 20.8mW/°C above +70°C)	1666.7mW
42-Pin TQFN (derate 35.7mW/°C above +70°C)	2857.1mW
Operating Temperature Range	-40°C to +85°C
Storage Temperature Range	-65°C to +150°C
Lead Temperature (soldering, 10s)	+300°C
Junction Temperature	+150°C

Note 1: Signals on SEL, NO_, NC_ or COM_ exceeding V+ or GND are clamped by internal diodes. Limit forward-diode current to maximum current rating.

Stresses beyond those listed under "Absolute Maximum Ratings" may cause permanent damage to the device. These are stress ratings only, and functional operation of the device at these or any other conditions beyond those indicated in the operational sections of the specifications is not implied. Exposure to absolute maximum rating conditions for extended periods may affect device reliability.

ELECTRICAL CHARACTERISTICS

(V+ = 3.0V to 3.6V, T_A = -40°C to +85°C, unless otherwise noted. Typical values are at V+ = 3.3V, T_A = +25°C.) (Note 2)

PARAMETER	SYMBOL	CONDITIONS	MIN	TYP	MAX	UNITS
ANALOG SWITCH						
Analog-Signal Range	V _{COM_} , V _{NO_} , V _{NC_}		-0.1		(V+ - 1.2)	V
Voltage Between COM and NO/NC	I V _{COM_} - V _{NO_} I, I V _{COM_} - V _{NC_} I		0		1.8	V
On-Resistance	R _{ON}	V+ = 3.0V, I _{COM_} = 15mA, V _{NO_} or V _{NC_} = 0V, 1.8V		7		Ω
On-Resistance Match Between Pairs of Same Channel	ΔR _{ON}	V+ = 3.0V, I _{COM_} = 15mA, V _{NO_} or V _{NC_} = 0V (Notes 3, 4)		0.1	1	Ω
On-Resistance Match Between Channels	ΔR _{ON}	V+ = 3.0V, I _{COM_} = 15mA, V _{NO_} or V _{NC_} = 0V (Notes 3, 4)		0.6	2	Ω
On-Resistance Flatness	R _{FLAT(ON)}	V+ = 3.0V, I _{COM_} = 15mA V _{NO_} or V _{NC_} = 0V, 1.8V (Notes 4, 5)		0.06	2	Ω
NO_ or NC_ Off-Leakage Current	I _{NO_(OFF)} I _{NC_(OFF)}	V+ = 3.6V; V _{COM_} = 0V, 1.8V; V _{NO_} or V _{NC_} = 1.8V, 0V	-1		+1	μA
COM_ On-Leakage Current	I _{COM_(ON)}	V+ = 3.6V; V _{COM_} = 0V, 1.8V; V _{NO_} or V _{NC_} = V _{COM_} or unconnected	-1		+1	μA

2.5Gbps PCI Express Passive Switches

MAX4888/MAX4889

ELECTRICAL CHARACTERISTICS (continued)

(V+ = 3.0V to 3.6V, T_A = -40°C to +85°C, unless otherwise noted. Typical values are at V+ = 3.3V, T_A = +25°C.) (Note 2)

PARAMETER	SYMBOL	CONDITIONS	MIN	TYP	MAX	UNITS
DYNAMIC						
Turn-On Time	t _{ON}	V _{NO_} or V _{NC_} = 1.0V, R _L = 50Ω, Figure 1		90	250	ns
Turn-Off Time	t _{OFF}	V _{NO_} or V _{NC_} = 1.0V, R _L = 50Ω, Figure 1		10	50	ns
Propagation Delay	t _{PD}	R _S = R _L = 50Ω, unbalanced, Figure 2		50		ps
Output Skew Between Pairs	t _{SK1}	R _S = R _L = 50Ω, unbalanced; skew between any two pairs, Figure 2		50		ps
Output Skew Between Same Pair	t _{SK2}	R _S = R _L = 50Ω, unbalanced; skew between two lines on same pair, Figure 2		10		ps
On-Loss	G _{LOS}	R _S = R _L = 50Ω, unbalanced, Figure 3	1MHz < f < 100MHz	-0.5		dB
			500MHz < f < 1.25GHz	-1.4		
Crosstalk	V _{CT1}	Crosstalk between any two pairs, R _S = R _L = 50Ω, unbalanced, Figure 3	f = 50MHz	-53		dB
			f = 1.25GHz	-32		
Signaling Data Rate	BR	R _S = R _L = 50Ω		3.0		Gbps
Off-Isolation	V _{ISO}	Signal = 0dBm, R _S = R _L = 50Ω, Figure 3	f = 10MHz	-56		dB
			f = 1.25GHz	-26		
NO_/NC_ Off-Capacitance	C _{NO_/NC_(OFF)}	Figure 4		1		pF
COM_ On-Capacitance	C _{COM_(ON)}	Figure 4		2		pF
LOGIC INPUT						
Input-Logic Low	V _{IL}				0.5	V
Input-Logic High	V _{IH}		1.4			V
Input-Logic Hysteresis	V _{HYST}			100		mV
Input Leakage Current	I _{IN}	V _{SEL} = 0V or V+	-1		+1	μA
POWER SUPPLY						
Power-Supply Range	V+		1.65		3.60	V
V+ Supply Current	I+	V _{SEL} = 0V or V+	MAX4888		60	μA
			MAX4889		120	

Note 2: All units are 100% production tested at T_A = +85°C. Limits over the operating temperature range are guaranteed by design and characterization and are not production tested.

Note 3: ΔR_{ON} = R_{ON} (MAX) - R_{ON} (MIN).

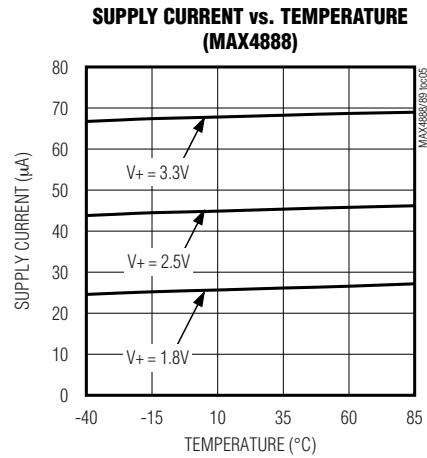
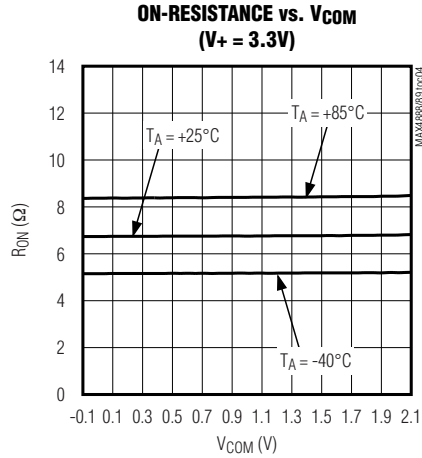
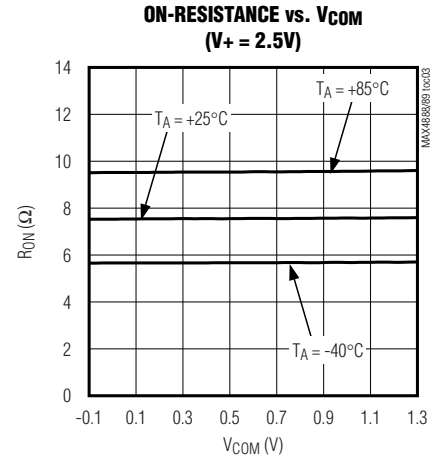
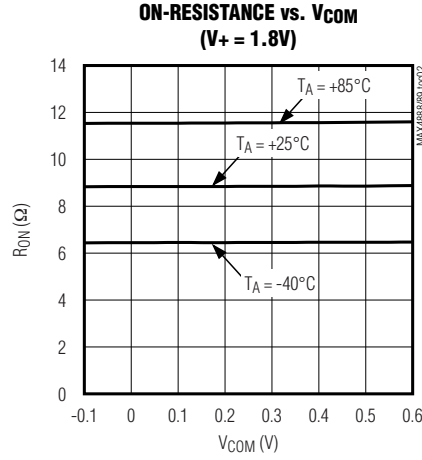
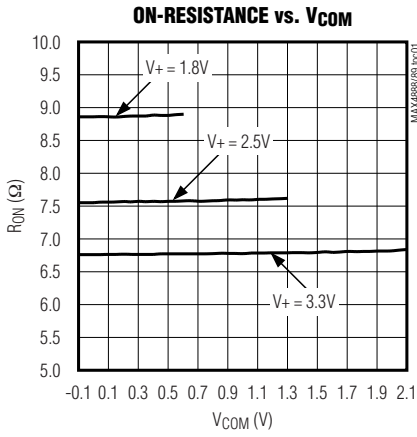
Note 4: Guaranteed by design. Not production tested.

Note 5: Flatness is defined as the difference between the maximum and minimum value of on-resistance as measured over the specified analog signal range.

2.5Gbps PCI Express Passive Switches

Typical Operating Characteristics

($T_A = +25^\circ\text{C}$, unless otherwise noted.)



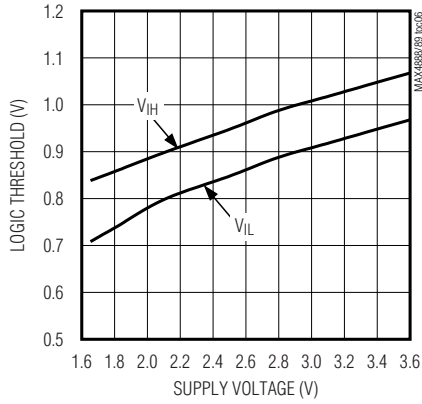
2.5Gbps PCI Express Passive Switches

MAX4888/MAX4889

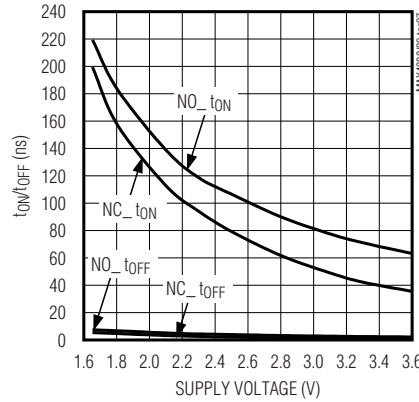
Typical Operating Characteristics (continued)

($T_A = +25^\circ\text{C}$, unless otherwise noted.)

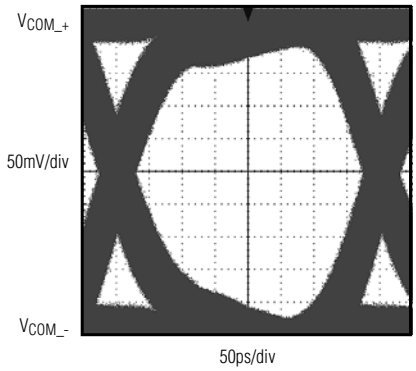
LOGIC THRESHOLD vs. SUPPLY VOLTAGE



TURN-ON/-OFF TIME vs. SUPPLY VOLTAGE

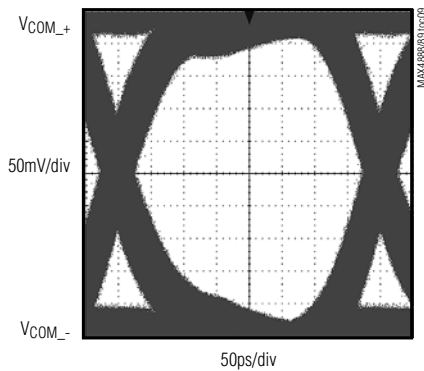


EYE DIAGRAM
($V_+ = 1.8\text{V}$, $f = 1.25\text{GHz}$,
600mV_{p-p} PRBS SIGNAL, $R_S = R_L = 50\Omega$)[†]



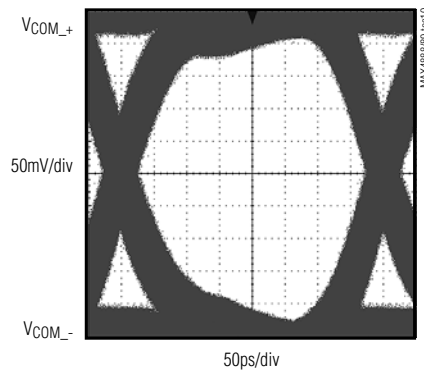
*PRBS = PSEUDORANDOM BIT SEQUENCE
†GEN I; 2.5Gps; UI = 400ps

EYE DIAGRAM
($V_+ = 2.5\text{V}$, $f = 1.25\text{GHz}$,
600mV_{p-p} PRBS SIGNAL, $R_S = R_L = 50\Omega$)[†]



*PRBS = PSEUDORANDOM BIT SEQUENCE
†GEN I; 2.5Gps; UI = 400ps

EYE DIAGRAM
($V_+ = 3.3\text{V}$, $f = 1.25\text{GHz}$,
600mV_{p-p} PRBS SIGNAL, $R_S = R_L = 50\Omega$)[†]



*PRBS = PSEUDORANDOM BIT SEQUENCE
†GEN I; 2.5Gps; UI = 400ps

2.5Gbps PCI Express Passive Switches

Pin Description

PIN		NAME	FUNCTION
MAX4888	MAX4889		
1, 10, 12, 14, 20, 25, 27	1, 4, 10, 14, 17, 19, 21, 39, 41	GND	Ground
2	9	SEL	Digital Control Input
3, 9	—	N.C.	No Connection. Not internally connected.
4	2	COM1+	Analog Switch 1. Common Positive Terminal.
5	3	COM1-	Analog Switch 1. Common Negative Terminal.
6	6	COM2+	Analog Switch 2. Common Positive Terminal.
7	7	COM2-	Analog Switch 2. Common Negative Terminal.
8, 11, 13, 19, 26, 28	5, 8, 13, 18, 20, 30, 40, 42	V+	Positive-Supply Voltage Input. Connect V+ to a 1.65V to 3.6V supply voltage. Bypass V+ to GND with a 0.1 μ F capacitor placed as close to the device as possible. (See the <i>Board Layout</i> section).
15	31	NO2-	Analog Switch 2. Normally Open Negative Terminal.
16	32	NO2+	Analog Switch 2. Normally Open Positive Terminal.
17	33	NO1-	Analog Switch 1. Normally Open Negative Terminal.
18	34	NO1+	Analog Switch 1. Normally Open Positive Terminal.
21	35	NC2-	Analog Switch 2. Normally Closed Negative Terminal.
22	36	NC2+	Analog Switch 2. Normally Closed Positive Terminal.
23	37	NC1-	Analog Switch 1. Normally Closed Negative Terminal.
24	38	NC1+	Analog Switch 1. Normally Closed Positive Terminal.
—	11	COM3+	Analog Switch 3. Common Positive Terminal.
—	12	COM3-	Analog Switch 3. Common Negative Terminal.
—	15	COM4+	Analog Switch 4. Common Positive Terminal.
—	16	COM4-	Analog Switch 4. Common Negative Terminal.
—	22	NO4-	Analog Switch 4. Normally Open Negative Terminal.
—	23	NO4+	Analog Switch 4. Normally Open Positive Terminal.
—	24	NO3-	Analog Switch 3. Normally Open Negative Terminal.
—	25	NO3+	Analog Switch 3. Normally Open Positive Terminal.
—	26	NC4-	Analog Switch 4. Normally Closed Negative Terminal.
—	27	NC4+	Analog Switch 4. Normally Closed Positive Terminal.
—	28	NC3-	Analog Switch 3. Normally Closed Negative Terminal.
—	29	NC3+	Analog Switch 3. Normally Closed Positive Terminal.
EP	EP	EP	Exposed Paddle. Connect EP to GND.

2.5Gbps PCI Express Passive Switches

Test Circuits/Timing Diagrams

MAX4888/MAX4889

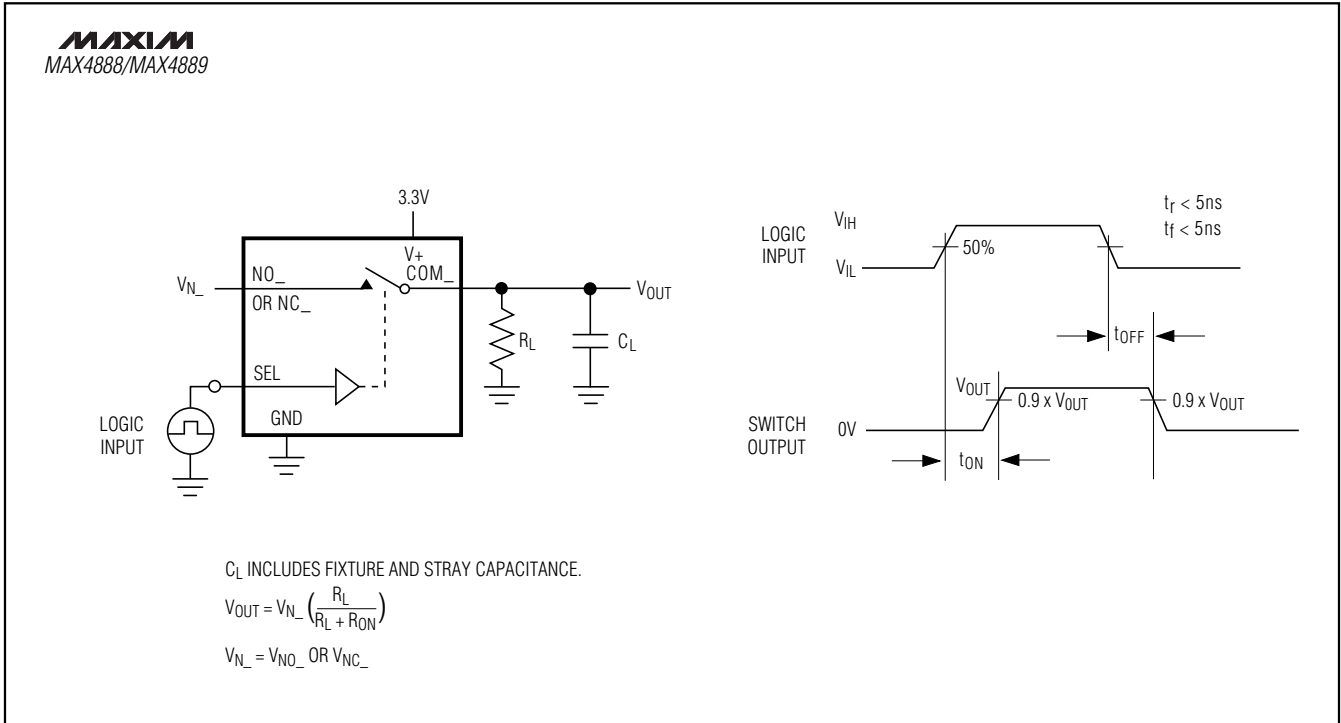


Figure 1. Switching Time

2.5Gbps PCI Express Passive Switches

Test Circuits/Timing Diagrams (continued)

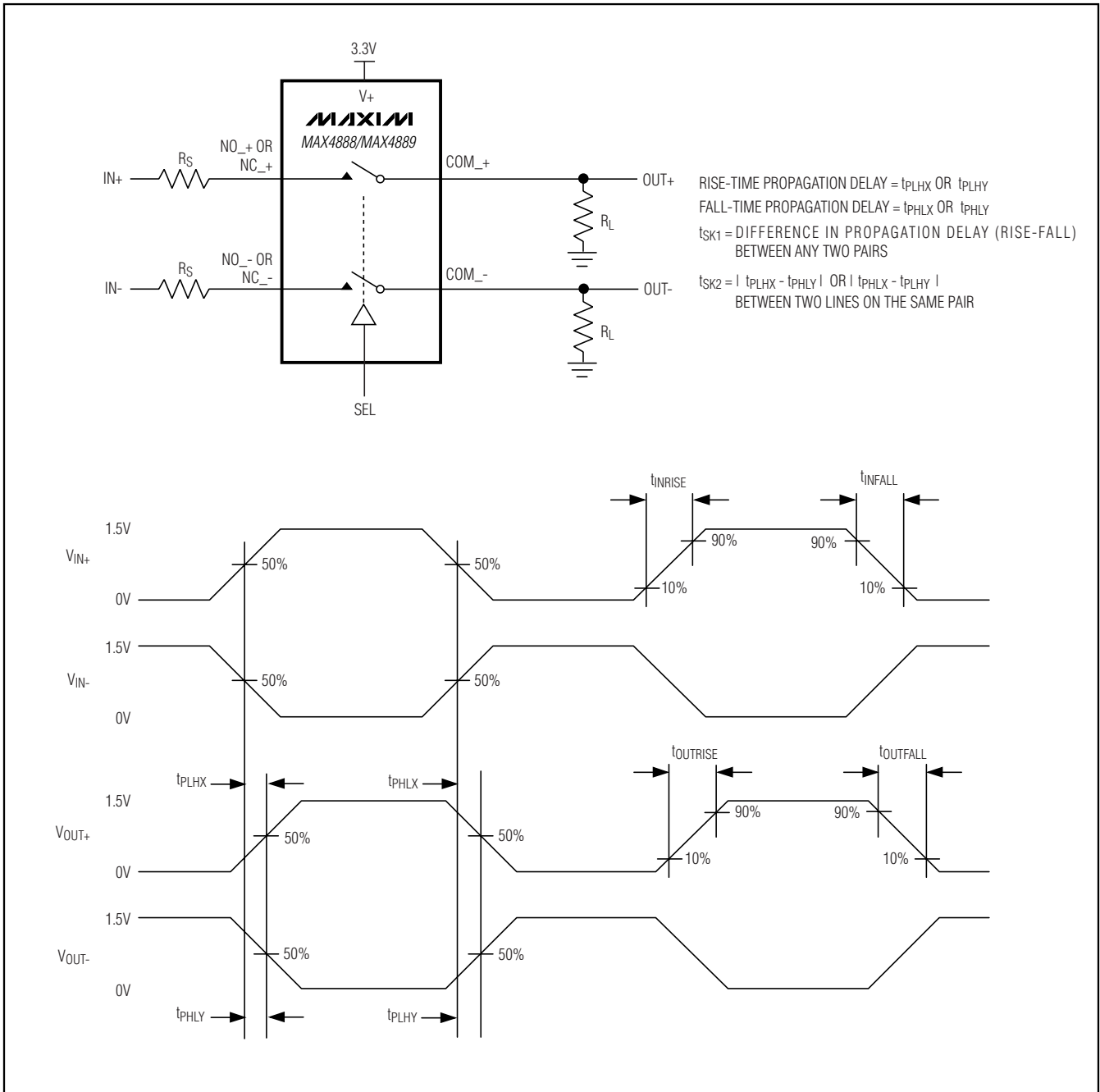


Figure 2. Propagation Delay and Output Skew

2.5Gbps PCI Express Passive Switches

MAX4888/MAX4889

Test Circuits/Timing Diagrams (continued)

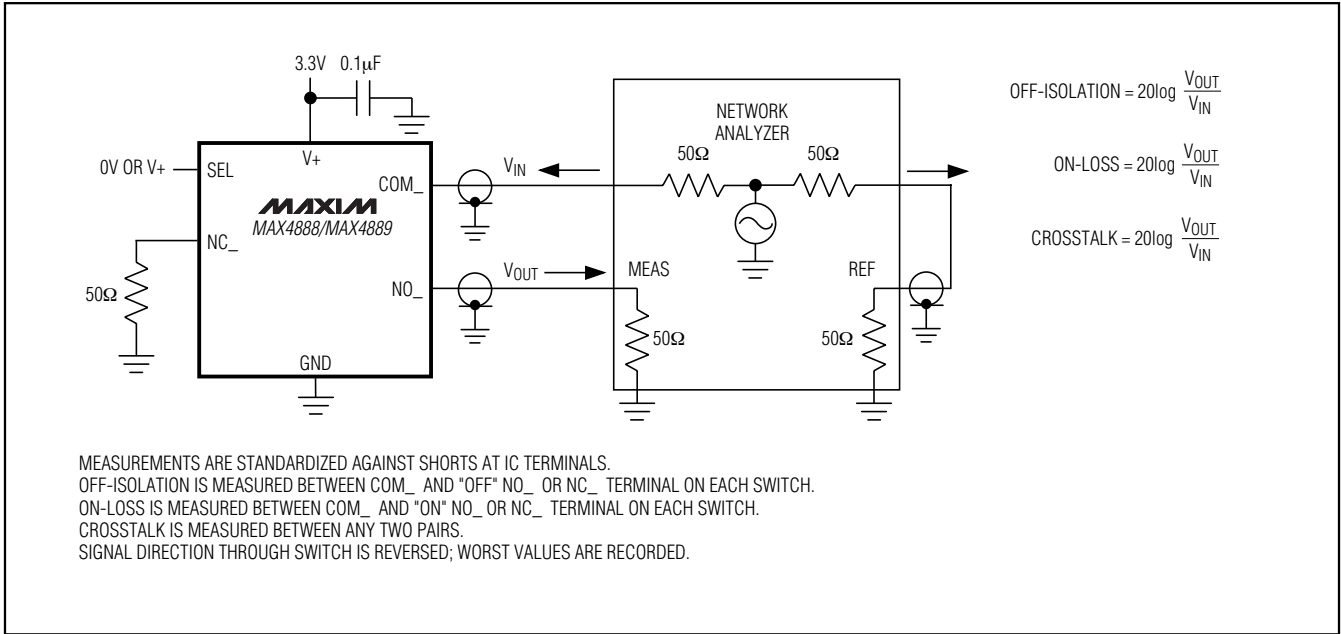


Figure 3. On-Loss, Off-Isolation, and Crosstalk

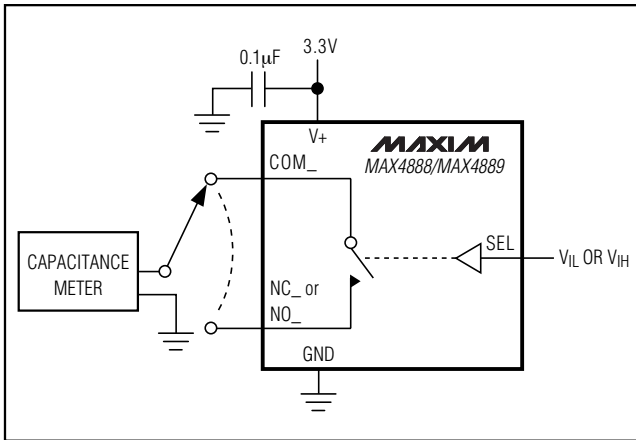


Figure 4. Channel Off-/On-Capacitance

Detailed Description

The MAX4888/MAX4889 high-speed passive switches route PCIe data between two possible destinations. The MAX4888/MAX4889 are ideal for routing PCIe signals to change the system configuration. For example, in a graphics application, the MAX4888/MAX4889 create two

sets of eight lanes from a single 16-lane bus. The MAX4888/MAX4889 feature a single digital control input (SEL) to switch signal paths.

The MAX4888/MAX4889 are fully specified to operate from a single 3.0V to 3.6V power supply and also operate down to 1.65V.

Digital Control Input (SEL)

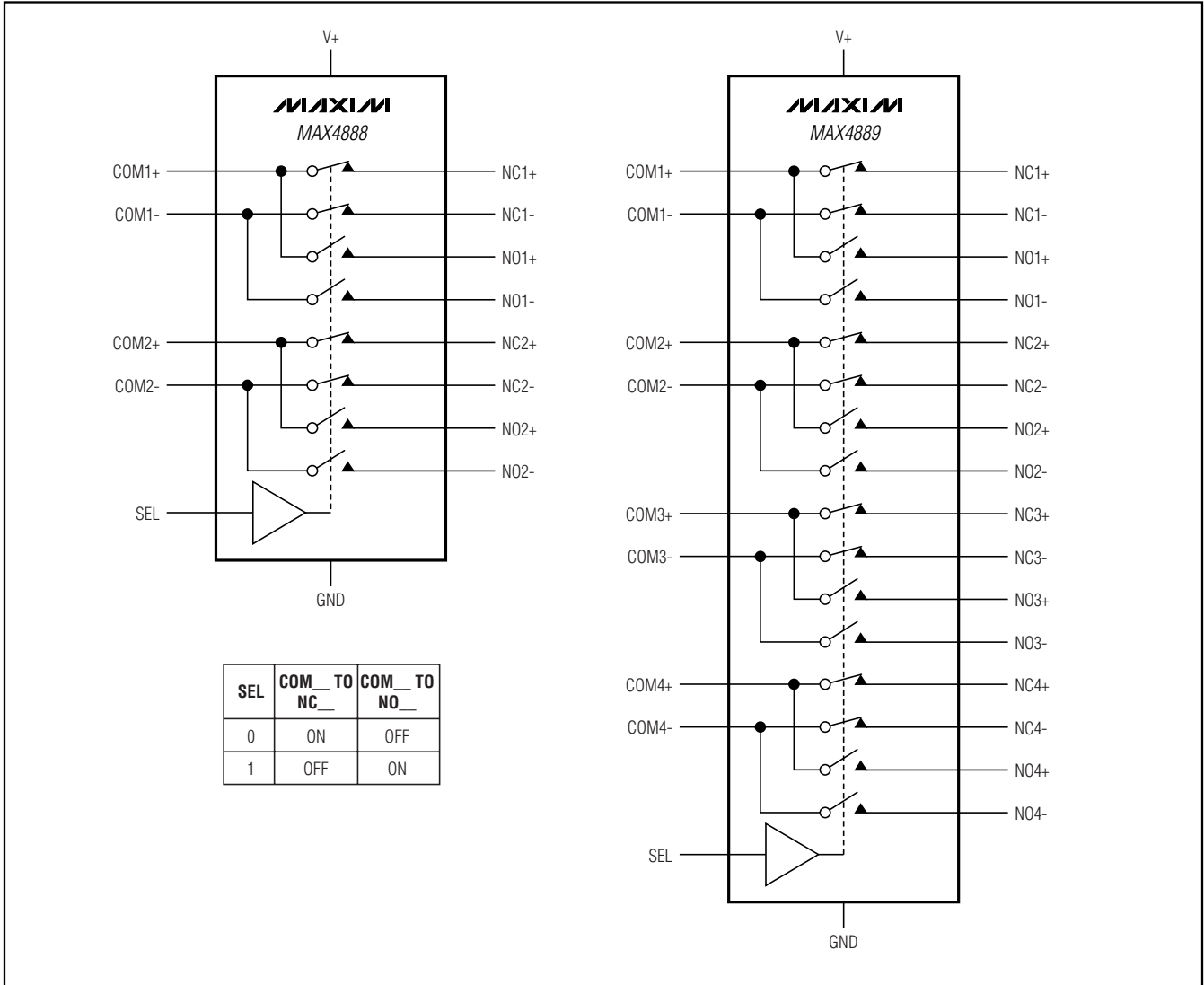
The MAX4888/MAX4889 provide a single digital control input (SEL) to select the signal path between the COM_ and NO_/NC_ channels. The truth tables for the MAX4888/MAX4889 are depicted in the *Functional Diagrams/Truth Table* section. Drive SEL rail-to-rail to minimize power consumption.

Analog Signal Levels

The MAX4888/MAX4889 accept standard PCIe signals to a maximum of $V_+ - 1.2V$. Signals on the COM_ channels are routed to either the NO_+ or NC_+ channels, and signals on the COM_- channels are routed to either the NO_- or NC_- channels. The MAX4888/MAX4889 are bidirectional switches, allowing COM_, NO_, and NC_ to be used as either inputs or outputs.

2.5Gbps PCI Express Passive Switches

Functional Diagrams/Truth Table



2.5Gbps PCI Express Passive Switches

Applications Information

PCIe Switching

The MAX4888/MAX4889 primary applications are aimed at reallocating PCIe lanes (see Figure 5). For example, in graphics applications, several manufacturers have found that it is possible to improve performance by a factor of nearly two by splitting a single 16-lane PCIe bus into two 8-lane buses. Two of the more prominent examples are SLI™ (Scaled Link Interface) and CrossFire™. The MAX4889 permits a computer motherboard to operate properly with a single 16-lane graphics card, and can later be updated to dual cards. The same motherboard can be used with dual cards where the user sets a jumper or a bit through software to switch between single- or dual-card operation.

Board Layout

High-speed switches require proper layout and design procedures for optimum performance. Keep design-controlled impedance PCB traces as short as possible or follow impedance layouts per the PCIe specification. Ensure that power-supply bypass capacitors are placed as close to the device as possible. Multiple bypass capacitors are recommended. Connect all grounds and the exposed pad to large ground planes.

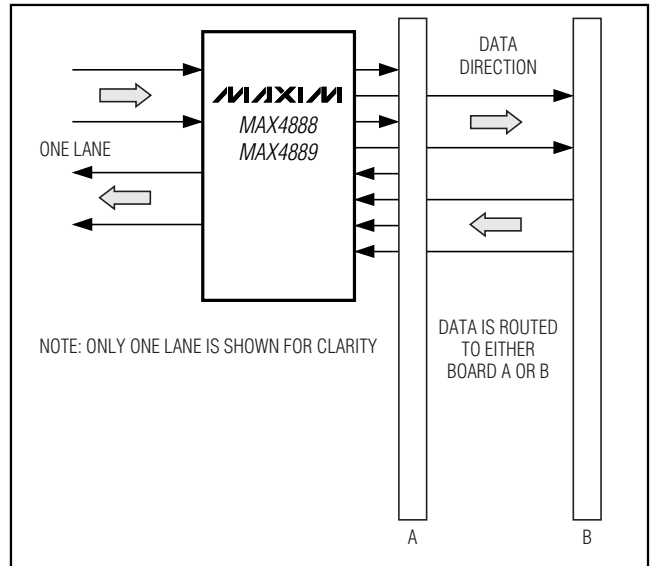


Figure 5. The MAX4888/MAX4889 Used as a Single-Lane Switch

MAX4888/MAX4889

Chip Information

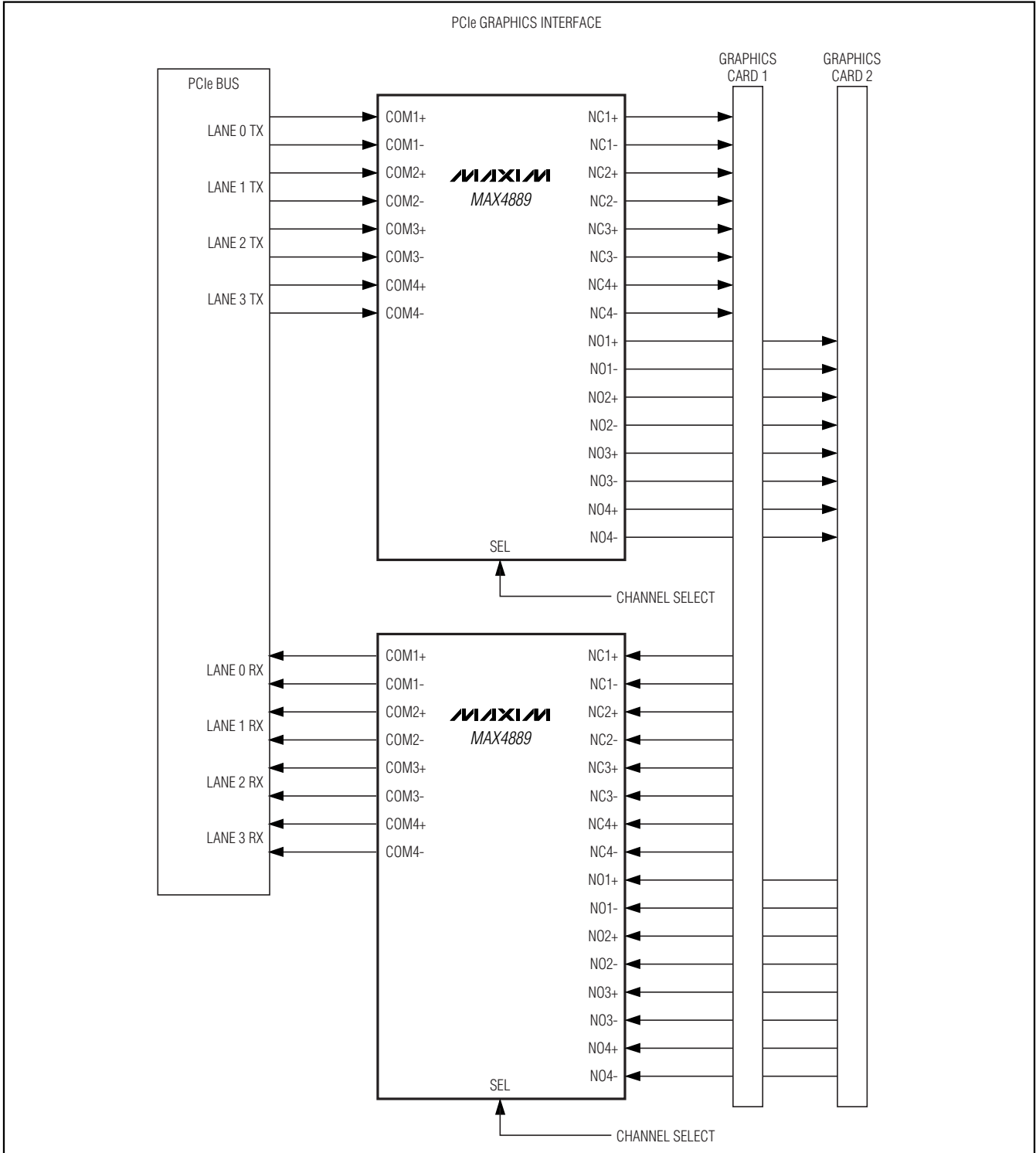
PROCESS: CMOS

CrossFire™ is a trademark of ATI Technologies, Inc.

SLI™ is a trademark of NVIDIA Corporation.

2.5Gbps PCI Express Passive Switches

Typical Application Circuit

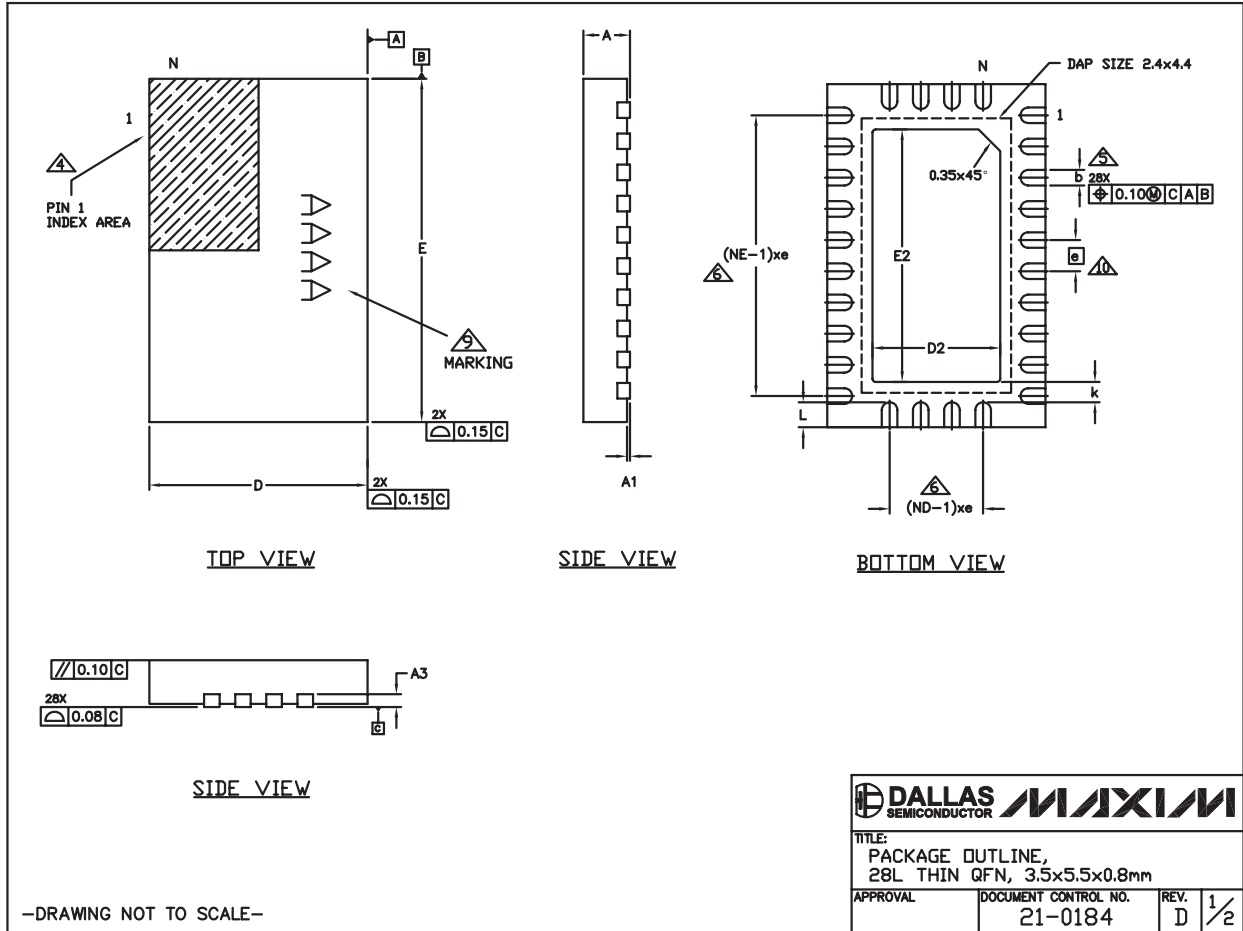


2.5Gbps PCI Express Passive Switches

Package Information

(The package drawing(s) in this data sheet may not reflect the most current specifications. For the latest package outline information go to www.maxim-ic.com/packages.)

MAX4888/MAX4889



2.5Gbps PCI Express Passive Switches

Package Information (continued)

(The package drawing(s) in this data sheet may not reflect the most current specifications. For the latest package outline information go to www.maxim-ic.com/packages.)


COMMON DIMENSIONS				
REF.	MIN.	NOM.	MAX.	NOTE
A	0.70	0.75	0.80	
A1	0	-	0.05	
A3	0.20 REF.			
b	0.20	0.25	0.30	
D	3.40	3.50	3.60	
E	5.40	5.50	5.60	
e	0.50 BSC.			
k	0.25	-	-	
L	0.30	0.40	0.50	ALL PINS
N	28			
ND	4			
NE	10			

PKG. CODE	EXPOSED PAD VARIATIONS					
	D2			E2		
	MIN.	NOM.	MAX.	MIN.	NOM.	MAX.
T283555-1	1.95	2.05	2.15	3.95	4.05	4.15

NOTES:

1. DIMENSIONING & TOLERANCING CONFORM TO ASME Y14.5M-1994.
2. ALL DIMENSIONS ARE IN MILLIMETERS. ANGLES ARE IN DEGREES.
3. N IS THE TOTAL NUMBER OF TERMINALS.
4. THE TERMINAL #1 IDENTIFIER AND TERMINAL NUMBERING CONVENTION SHALL CONFORM TO JESD 95-1 SPP-012. DETAILS OF TERMINAL #1 IDENTIFIER ARE OPTIONAL, BUT MUST BE LOCATED WITHIN THE ZONE INDICATED. THE TERMINAL #1 IDENTIFIER MAY BE EITHER A MOLD OR MARKED FEATURE.
5. DIMENSION b APPLIES TO METALLIZED TERMINAL AND IS MEASURED BETWEEN 0.25mm AND 0.30mm FROM TERMINAL TIP.
6. ND AND NE REFER TO THE NUMBER OF TERMINALS ON EACH D AND E SIDE RESPECTIVELY.
7. COPLANARITY APPLIES TO THE EXPOSED HEAT SINK SLUG AS WELL AS THE TERMINALS. COPLANARITY SHALL NOT EXCEED 0.08mm.
8. WARPAGE SHALL NOT EXCEED 0.10mm.
9. MARKING IS FOR PACKAGE ORIENTATION PURPOSE ONLY.
10. LEAD CENTERLINES DEFINED BY DIMENSION e±0.05.

-DRAWING NOT TO SCALE-

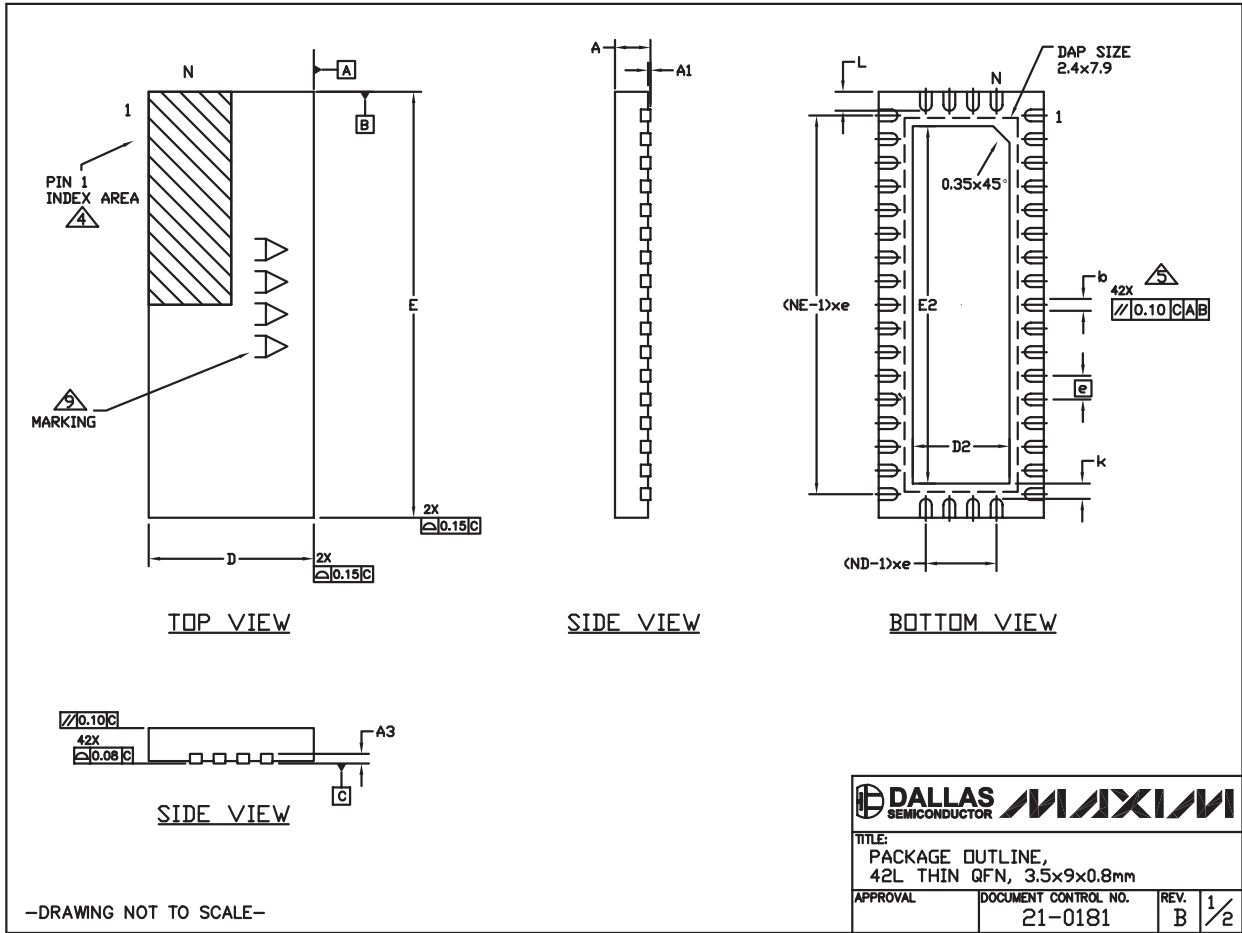
			
TITLE: PACKAGE OUTLINE, 28L THIN QFN, 3.5x5.5x0.8mm			
APPROVAL	DOCUMENT CONTROL NO.	REV.	
	21-0184	D	2/2

2.5Gbps PCI Express Passive Switches

Package Information (continued)

(The package drawing(s) in this data sheet may not reflect the most current specifications. For the latest package outline information go to www.maxim-ic.com/packages.)

MAX4888/MAX4889



2.5Gbps PCI Express Passive Switches

Package Information (continued)

(The package drawing(s) in this data sheet may not reflect the most current specifications. For the latest package outline information go to www.maxim-ic.com/packages.)

COMMON DIMENSIONS				
REF.	MIN.	NOM.	MAX.	NOTE
A	0.70	0.75	0.80	
A1	0	-	0.05	
A3	0.20 REF.			
b	0.20	0.25	0.30	
D	3.40	3.50	3.60	
E	8.90	9.00	9.10	
e	0.50 BSC.			
k	0.25	-	-	
L	0.35	0.40	0.45	ALL PINS
N	42			
ND	4			
NE	17			

PKG. CODE	EXPOSED PAD VARIATIONS					
	D2			E2		
	MIN.	NOM.	MAX.	MIN.	NOM.	MAX.
T423590-1	1.95	2.05	2.15	7.45	7.55	7.65
T423590M-1	1.95	2.05	2.15	7.45	7.55	7.65

NOTES:

1. DIMENSIONING & TOLERANCING CONFORM TO ASME Y14.5M-1994.
2. ALL DIMENSIONS ARE IN MILLIMETERS; ANGLES ARE IN DEGREES.
3. N IS THE TOTAL NUMBER OF TERMINALS.
4. THE TERMINAL #1 IDENTIFIER AND TERMINAL NUMBERING CONVENTION SHALL CONFORM TO JESD 95-1 SPP-012. DETAILS OF TERMINAL #1 IDENTIFIER ARE OPTIONAL, BUT MUST BE LOCATED WITHIN THE ZONE INDICATED. THE TERMINAL #1 IDENTIFIER MAY BE EITHER A MOLD OR MARKED FEATURE.
5. DIMENSION b APPLIES TO METALLIZED TERMINAL AND IS MEASURED BETWEEN 0.25mm AND 0.30mm FROM TERMINAL TIP.
6. ND AND NE REFER TO THE NUMBER OF TERMINALS ON EACH D AND E SIDE RESPECTIVELY.
7. COPLANARITY APPLIES TO THE EXPOSED HEAT SINK SLUG AS WELL AS THE TERMINALS. COPLANARITY SHALL NOT EXCEED 0.08mm.
8. WARPAGE SHALL NOT EXCEED 0.10mm.
9. MARKING IS FOR PACKAGE ORIENTATION PURPOSE ONLY.
10. LEAD CENTERLINES TO BE AS DEFINED BY DIMENSION e ±0.05.

-DRAWING NOT TO SCALE-

TITLE: PACKAGE OUTLINE, 42L THIN QFN, 3.5x9x0.8mm			
APPROVAL	DOCUMENT CONTROL NO.	REV.	2/2
	21-0181	B	

Maxim cannot assume responsibility for use of any circuitry other than circuitry entirely embodied in a Maxim product. No circuit patent licenses are implied. Maxim reserves the right to change the circuitry and specifications without notice at any time.

16 **Maxim Integrated Products, 120 San Gabriel Drive, Sunnyvale, CA 94086 408-737-7600**