

MICRO SWITCH
a Honeywell Division

FED. MFG. CODE 91929

**MINIATURE PRECISION
LIMIT SWITCH**

CATALOG LISTING

924CE1-T25A

DDM/CAD DRAWN

TSM 27 DEC 90

CHECK

REVISIONS

CHECK

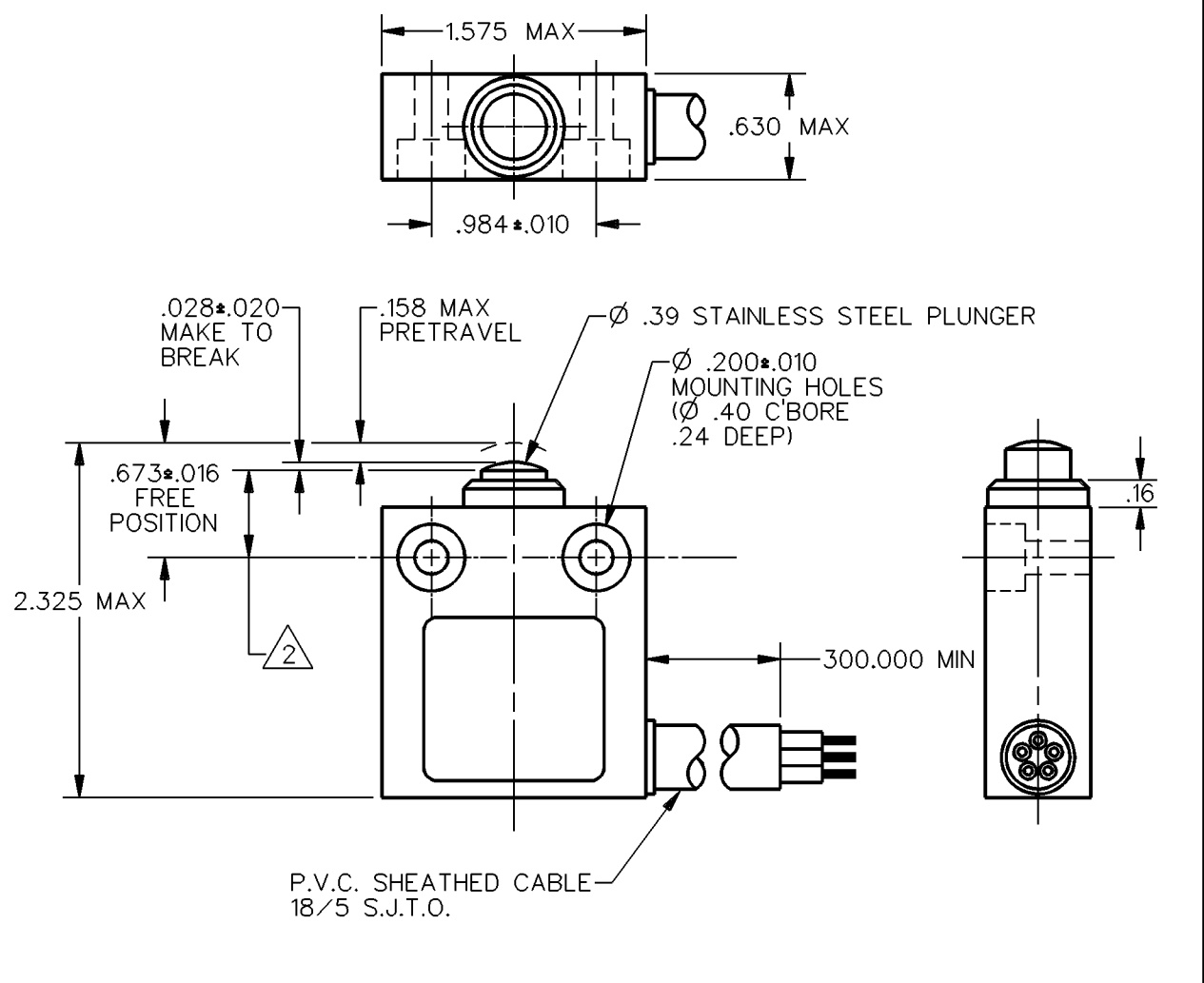
ISSUE 1

DRAWING NUMBER

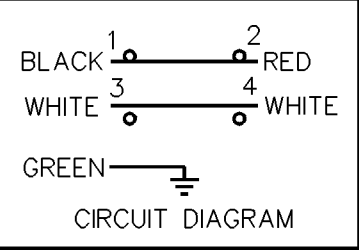
M924CE1-T25A

REPLACES

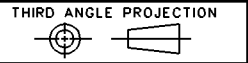
RELEASE NO. PR-18938



- NOTES
- 1 - ALUMINUM HOUSING FINISHED WITH GRAY PAINT
 - 2 - THE MINIMUM PLUNGER TRAVEL PAST BREAK, FOR A SAFE CONTACT GAP IS .060
 - 3 - MAKE BEFORE BREAK CIRCUITRY



THIS DRAWING COVERS A PROPRIETARY ITEM AND IS THE PROPERTY OF MICRO SWITCH, A DIVISION OF HONEYWELL. THIS DRAWING IS NOT TO BE COPIED OR USED WITHOUT THE APPROVAL OF MICRO SWITCH.



CHARACTERISTICS	ELECTRICAL DATA	SCALE FULL	DO NOT SCALE PRINT
OPERATING FORCE — — — 5.1 LB MAX	CONTACT ARRANGEMENT S P D T D B	UNLESS OTHERWISE SPECIFIED TOLERANCES ARE	
OVERTRAVEL — — — — — .020 MIN	10A-250 VAC 1/3HP-125 OR 250 VAC		
		ONE PLACE (.0)	±.030
		TWO PLACE (.00)	±.015
		THREE PLACE (.000)	±.005
		ANGLES	±
		WEIGHT	