

NOTES:

1. MATERIALS AND FINISHES:

BODY, BUSHING, HEX NUT - BRASS, SILVER PLATING
 CONTACT - BeCu, GOLD PLATING
 O-RING - SILICONE RUBBER, RED
 LOCK WASHER - PHOSPHOR BRONZE, SILVER PLATING

2. ELECTRICAL:

A. IMPEDANCE: 50 OHM, NOMINAL
 B. FREQUENCY RANGE: DC - 11.0 GHz
 C. VSWR: 1.300 MAX.

3. MECHANICAL:

A. DURABILITY: 500 CYCLES MIN.
 B. TEMPERATURE RANGE: -65° C TO +165° C

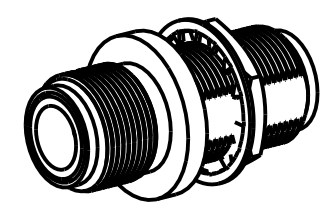
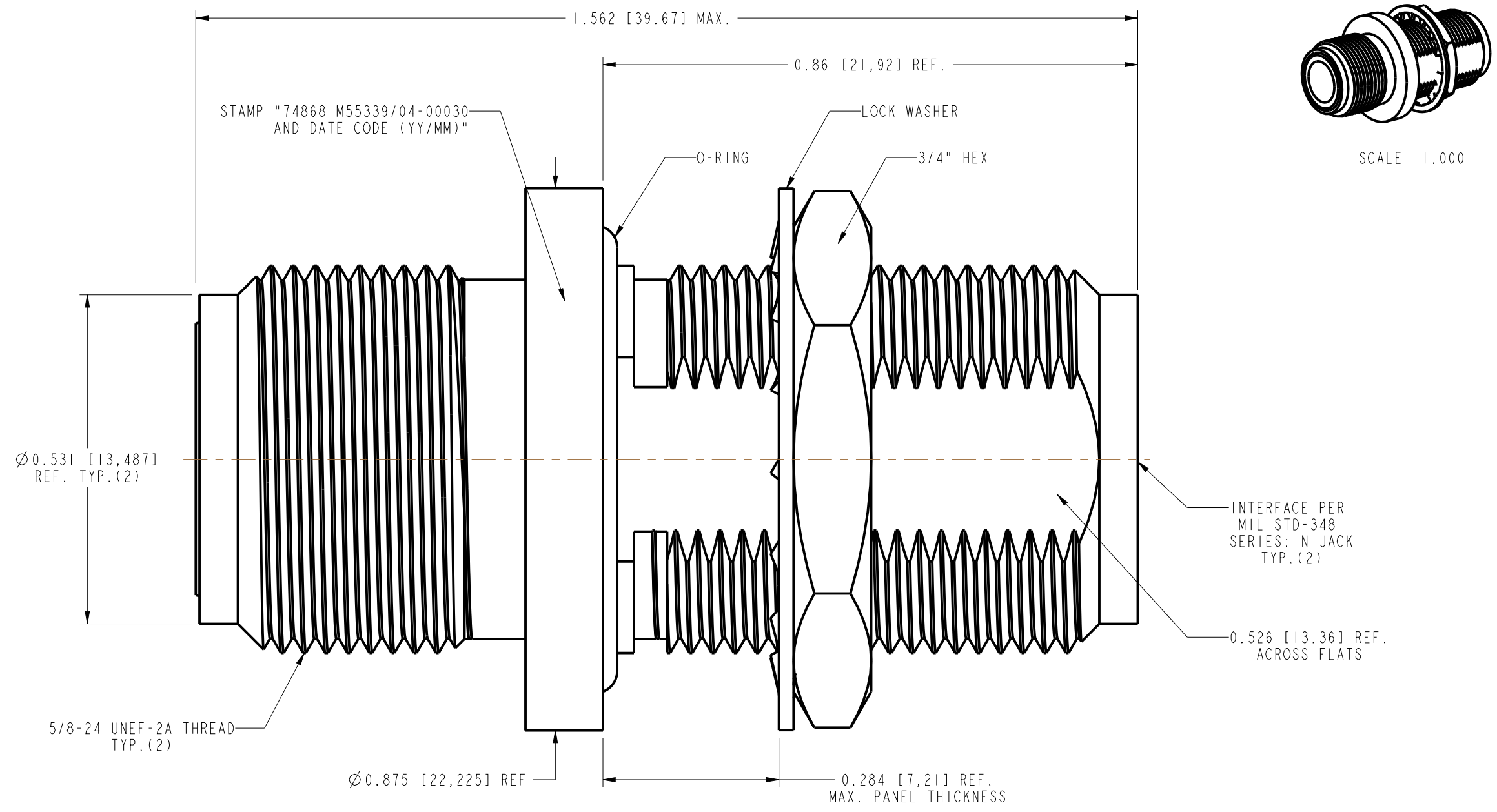
4. PACKAGING:

A. QUANTITY: SINGLE PACK
 B. MARKING: BAG TO BE MARKED
 "AMPHENOL RF, 82-5552, AND DATE CODE"

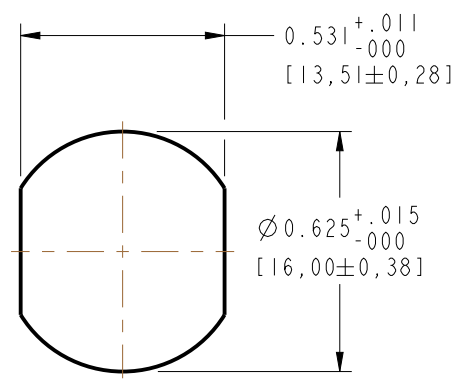
THIRD ANGLE PROJ.

REVISIONS

REV	DESCRIPTION	DATE	ECO	APPR
--	RELEASE TO MFG.	--	--	--
M	ADDED COD SHEET, NO CHANGES	9/19/14	50147	AAP



SCALE 1.000



RECOMMENDED MOUNTING HOLE DIMENSIONS

CUSTOMER OUTLINE DRAWING

ALL OTHER SHEETS ARE FOR INTERNAL USE ONLY

UNLESS OTHERWISE SPECIFIED, DIMENSIONS ARE IN INCHES AND TOLERANCES ARE: 2 PLACE DECIMAL 3 PLACE DECIMAL ANGLES ±.015 (0,381 mm) ±.005 (0,127 mm) ± 1° NOTICE - These drawings, specifications, or other data (1) are, and remain the property of Amphenol corp. (2) must be returned upon request; and (3) are confidential and not to be disclosed to any person other than those to whom they are given by Amphenol Corp. the furnishing of these drawings, specifications, or other data by Amphenol Corp., or to any other person to anyone for any purpose is not to be regarded by implication or otherwise in any manner licensing, granting rights to permitting such holder or any other person to manufacture, use or sell any product, process or design, patented or otherwise, that may in any way be related to or disclosed by said drawings, specifications, or other data.	MATERIAL	DRAWN	DATE	TITLE		Amphenol RF www.amphenolrf.com	
	SEE NOTES	MADHAN	14-Aug-14				
	REFERENCE	ENGINEER	DATE	SCALE: 5.0:1.0 SHEET 2 OF 2		DRAWING NO.82-5552	
	M55339/04-00030	B.C. GLEISSNER	14-Aug-14	DWG SIZE B REV M		ITEM NO.82-5552	
CONFIGURATION LEVEL: In Work	APPROVED	DATE	PART NO.82-5552				
FINISH	K. CAPOZZI	9/10/14					
	CAD FILE						