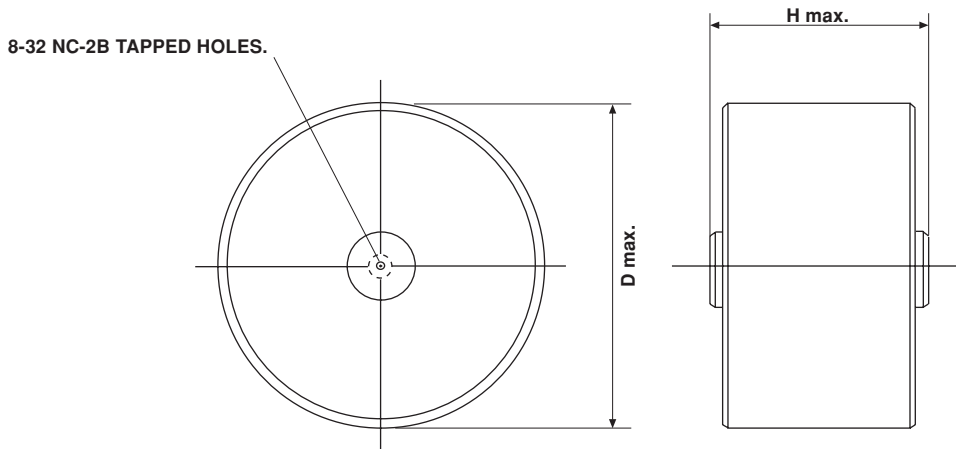


High Voltage Disc Capacitors, Screw mounting

10KT... 10KV_{DC}
15KT... 15KV_{DC}
20KT... 20KV_{DC}
30KT... 30KV_{DC}
40KT... 40KV_{DC}

15DK... 15KV_{DC}
20DK... 20KV_{DC}
30DK... 30KV_{DC}
40DK... 40KV_{DC}



NOTE: Screw torque limit must be 12 inch pounds. Use #8-32, 3/16" long screw to prevent bottoming

• Dimensions in millimeters (inches)

DIELECTRIC STRENGTH

150% of rated voltage, charging current limited to 50mA

DISSIPATION FACTOR $\tan\delta$

N4700: $\leq 2 \cdot 10^{-3}$ (1kHz)

Y5U: $\leq 20 \cdot 10^{-3}$ (1kHz)

INSULATION RESISTANCE

MIN. 200,000 megohms or 1000 Ω F, min. @ 25°C

CORONA LIMIT

Ranges from 50MHz for small diameters to 10 MHz for large diameters

OPERATING TEMPERATURE RANGE

- 30°C to + 85°C

MATERIAL

Capacitor elements made from Class 1 or Class 3 ceramic in a molded epoxy case. Screw terminals: brass, silver plated

MARKING

Type designator, Capacitance value, Rated DC voltage, Ceramic material code, Production date code, CERAMITE Logo

POWER DISSIPATION

Limit to 25°C rise above ambient, measured on case.

ORDERING INFORMATION

15DKD20	15KV _{DC}	2000pF	- 20+ 80%	Y5U
MODEL	RATED VOLTAGE	CAPACITANCE VALUE	TOLERANCE	CERAMIC



MODEL	CERAMIC	CAPACITANCE VALUES [pF]	RATED VOLTAGE [KV _{DC}]	RATED VOLTAGE [KV _{RMS}]	D _{max.}	H _{max.}
10KT...						
10KTD10	N4700	1000	10	4	33.0 (1.30)	19.8 (0.78)
10KTD22		2200			39.4 (1.55)	19.8 (0.78)
10KTD39		3900			54.1 (2.13)	19.8 (0.78)
10KTD47		4700			58.4 (2.30)	19.8 (0.78)
15KT...						
15KTT82	N4700	820	15	6	33.0 (1.30)	22.9 (0.90)
15KTD19		1900			54.1 (2.13)	22.9 (0.90)
15KTD33		3300			58.4 (2.30)	22.9 (0.90)
20KT...						
20KTT56	N4700	560	20	8	33.0 (1.30)	25.4 (1.00)
20KTD10		1000			39.4 (1.55)	25.4 (1.00)
20KTD19		1900			54.1 (2.13)	25.4 (1.00)
20KTD27		2700			61.5 (2.42)	25.4 (1.00)
30KT...						
30KTT40	N4700	400	30	10	33.0 (1.30)	30.0 (1.18)
30KTT66		660			39.4 (1.55)	30.0 (1.18)
30KTD12		1200			54.1 (2.13)	30.0 (1.18)
30KTD18		1800			61.5 (2.42)	30.0 (1.18)
40KT...						
40KTT30	N4700	300	40	13	33.0 (1.30)	34.5 (1.36)
40KTT64		640			45.7 (1.80)	34.5 (1.36)
40KTD10		1000			54.1 (2.13)	34.5 (1.36)
40KTD13		1300			61.5 (2.42)	34.5 (1.36)
15DK...						
15DKD15	Y5U	1500	15	4	26.7 (1.05)	22.9 (0.90)
15DKD20		2000			33.0 (1.30)	22.9 (0.90)
15DKD33		3300			39.4 (1.55)	22.9 (0.90)
15DKD47		4700			39.4 (1.55)	22.9 (0.90)
15DKS10		10000			58.4 (2.30)	22.9 (0.90)
20DK...						
20DKT50	Y5U	500	20	5	22.4 (0.88)	25.4 (1.00)
20DKD10		1000			33.0 (1.30)	25.4 (1.00)
20DKD13		1300			33.0 (1.30)	25.4 (1.00)
20DKD25		2500			39.4 (1.55)	25.4 (1.00)
20DKD33		3300			45.7 (1.80)	25.4 (1.00)
20DKD47		4700			54.1 (2.13)	25.4 (1.00)
20DKD68		6800			61.5 (2.42)	25.4 (1.00)
30DK...						
30DKT50	Y5U	500	30	7	26.7(1.05)	34.5 (1.36)
30DKD10		1000			33.0 (1.30)	30.0 (1.18)
30DKD25		2500			39.4 (1.55)	30.0 (1.18)
30DKD33		3300			54.1 (2.13)	30.0 (1.18)
30DKD47		4700			58.4 (2.30)	30.0 (1.18)
40DK...						
40DKT30	Y5U	300	40	9	22.4 (0.88)	34.5 (1.36)
40DKT50		500			26.7 (1.05)	34.5 (1.36)
40DKT78		780			33.0 (1.30)	34.5 (1.36)
40DKD10		1000			39.4 (1.55)	34.5 (1.36)
40DKD16		1600			45.7 (1.80)	34.5 (1.36)
40DKD25		2500			54.1 (2.13)	34.5 (1.36)
40DKD33		3300			58.4 (2.30)	34.5 (1.36)

CAPACITANCE TOLERANCES: KT... Series ± 20%
DK... Series: - 20 + 80%



Disclaimer

All product specifications and data are subject to change without notice.

Vishay Intertechnology, Inc., its affiliates, agents, and employees, and all persons acting on its or their behalf (collectively, "Vishay"), disclaim any and all liability for any errors, inaccuracies or incompleteness contained herein or in any other disclosure relating to any product.

Vishay disclaims any and all liability arising out of the use or application of any product described herein or of any information provided herein to the maximum extent permitted by law. The product specifications do not expand or otherwise modify Vishay's terms and conditions of purchase, including but not limited to the warranty expressed therein, which apply to these products.

No license, express or implied, by estoppel or otherwise, to any intellectual property rights is granted by this document or by any conduct of Vishay.

The products shown herein are not designed for use in medical, life-saving, or life-sustaining applications unless otherwise expressly indicated. Customers using or selling Vishay products not expressly indicated for use in such applications do so entirely at their own risk and agree to fully indemnify Vishay for any damages arising or resulting from such use or sale. Please contact authorized Vishay personnel to obtain written terms and conditions regarding products designed for such applications.

Product names and markings noted herein may be trademarks of their respective owners.