



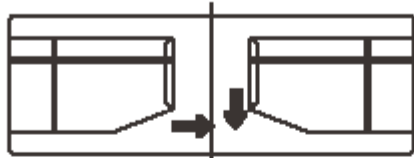
PART NO.

DC Brushless Fan

REVISIONS

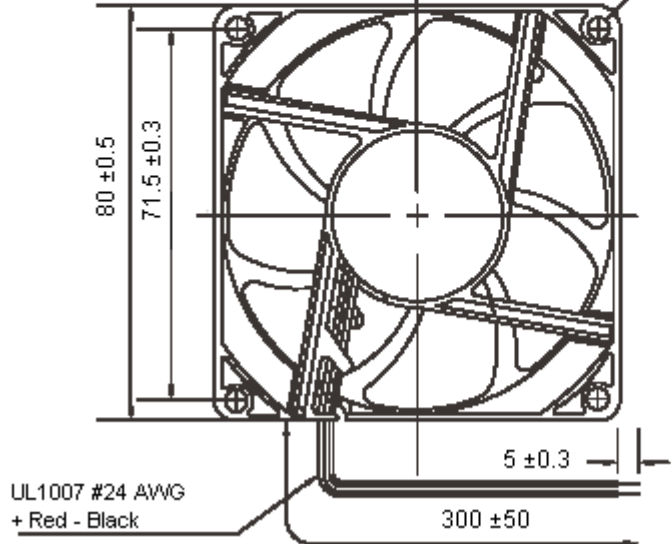
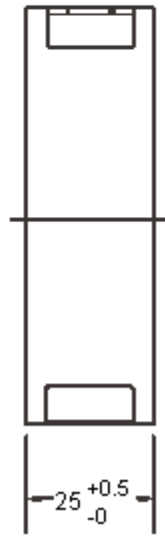
ECN #	REV	DESCRIPTION	DRAWN	DATE	CHECKD	DATE	APPRVD	DATE
-	A	RELEASED	Veena	25/1/11	Jagan	25/1/11	Farnell	08/2/11

Rotation



Ø8-4.3

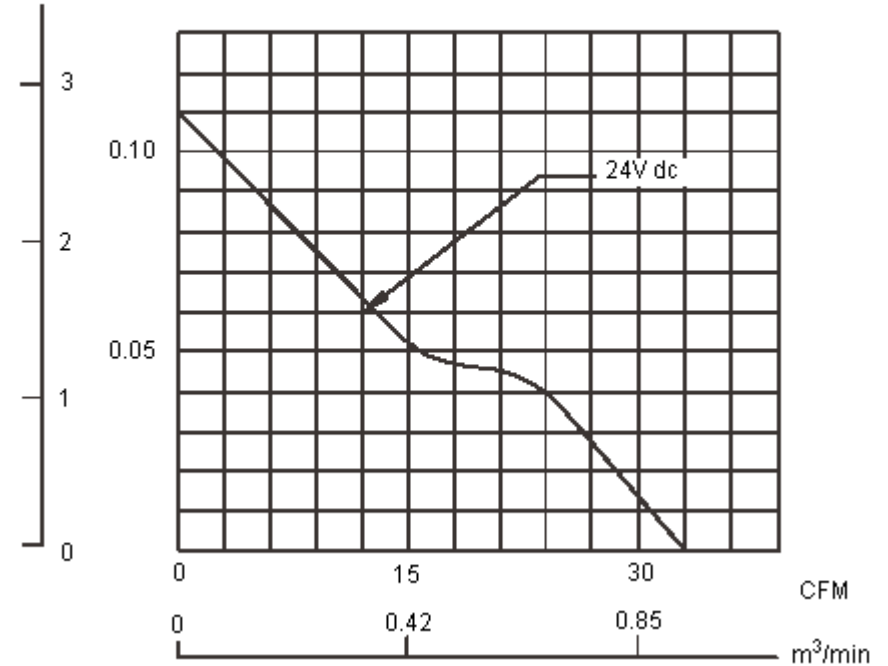
Air Flow



Dimensions : Millimetres

Static Pressure  
mm-H<sub>2</sub>O    Inch-H<sub>2</sub>O

Performance Curves



This data sheet and its contents (the "Information") belong to the Premier Farnell Group (the "Group") or are licensed to it. No licence is granted for the use of it other than for information purposes in connection with the products to which it relates. No licence of any intellectual property rights is granted. The Information is subject to change without notice and replaces all data sheets previously supplied. The Information supplied is believed to be accurate but the Group assumes no responsibility for its accuracy or completeness, any error in or omission from it or for any use made of it. Users of this data sheet should check for themselves the Information and the suitability of the products for their purpose and not make any assumptions based on information included or omitted. Liability for loss or damage resulting from any reliance on the Information or use of it (including liability resulting from negligence or where the Group was aware of the possibility of such loss or damage arising) is excluded. This will not operate to limit or restrict the Group's liability for death or personal injury resulting from its negligence. SPC MULTICOMP is the registered trademark of the Group. © Premier Farnell plc 2011.

**TOLERANCES:**  
  
UNLESS OTHERWISE SPECIFIED, DIMENSIONS ARE FOR REFERENCE PURPOSES ONLY.

DRAWN BY:	DATE:
Veena	25/01/11
CHECKED BY:	DATE:
Jagan	25/01/11
APPROVED BY:	DATE:
Farnell	08/02/11

DRAWING TITLE:			
DC Brushless Fan			
SIZE	DWG NO.	ELECTRONIC FILE	REV
A	MC32896	71P8673	A
SCALE: NTS	U.O.M.: mm	SHEET: 1 OF 3	



PART NO.

DC Brushless Fan

REVISIONS

ECN #	REV	DESCRIPTION	DRAWN	DATE	CHECKD	DATE	APPRVD	DATE
-	A	RELEASED	Veena	25/1/11	Jagan	25/1/11	Farnell	08/2/11

**Specifications:**

Size : 80.  
 Thickness : 25.  
 Voltage : 24V dc.  
 Bearing : Sleeve.  
 Speed : Low.

**Mechanical Characteristic**

Motor Design	2 phases, 4-poles Brushless DC motor
Bearing System	Lubricated sleeve bearing system
Dimensions	See page 1
Materials of Frame	Thermoplastic PBT of UL 94V-0
Materials of Fan Blade	Thermoplastic PBT of UL 94v-0
Direction of Rotation	Counter-clockwise viewed from front of fan blade
Mounting Holes	Diameter 4.3 mm in 8 holes
Weight	75g

**Electric Characteristic**

Rated Voltage	24V dc
Rated Current	49mA
Rated Power Consumption	1.2 Watts
Operating Voltage Range	10 to 27.6V dc
Starting Voltage	10V dc (25°C Power On/Off)
Operating Temperature Range	-10°C to + 70°C
Storage Temperature Range	40°C to + 70°C

This data sheet and its contents (the "Information") belong to the Premier Farnell Group (the "Group") or are licensed to it. No licence is granted for the use of it other than for information purposes in connection with the products to which it relates. No licence of any intellectual property rights is granted. The Information is subject to change without notice and replaces all data sheets previously supplied. The Information supplied is believed to be accurate but the Group assumes no responsibility for its accuracy or completeness, any error in or omission from it or for any use made of it. Users of this data sheet should check for themselves the Information and the suitability of the products for their purpose and not make any assumptions based on information included or omitted. Liability for loss or damage resulting from any reliance on the Information or use of it (including liability resulting from negligence or where the Group was aware of the possibility of such loss or damage arising) is excluded. This will not operate to limit or restrict the Group's liability for death or personal injury resulting from its negligence. SPC MULTICOMP is the registered trademark of the Group. © Premier Farnell plc 2011.

**TOLERANCES:  
 UNLESS OTHERWISE SPECIFIED,  
 DIMENSIONS ARE FOR REFERENCE PURPOSES ONLY.**

DRAWN BY:	DATE:
Veena	25/01/11
CHECKED BY:	DATE:
Jagan	25/01/11
APPROVED BY:	DATE:
Farnell	08/02/11

DRAWING TITLE:			
DC Brushless Fan			
SIZE	DWG NO.	ELECTRONIC FILE	REV
A	MC32896	71P8673	A
SCALE: NTS	U.O.M.: mm	SHEET: 2 OF 3	



PART NO.

DC Brushless Fan

REVISIONS

ECN #	REV	DESCRIPTION	DRAWN	DATE	CHECKD	DATE	APPRVD	DATE
-	A	RELEASED	Veena	25/1/11	Jagan	25/1/11	Farnell	08/2/11

Performance Characteristic

Rated Speed	2600 RPM ±10% at rated voltage
Air Flow	33 CFM
Static Pressure	0.11 Inch-H <sub>2</sub> O
Acoustic Noise	28 dB(A)
Air Flow V.S. Pressure	See Page 1
Insulation Resistance Plastic Housing	10Ω ohm at 500V dc between internal stator and lead wire (+)
Dielectric Strength	Applied 500V ac for one minute or 600V ac for 2 seconds between housing and lead wire (+)
Life Expectancy	50,000 Hours at 40°C, 65% humidity, 90% CL
Protection	<p>Automatic Restart</p> <p>Note: In a situation where the fan is locked by an external force while the electricity is on, an increase in coil temperature will be prevented by temporarily turning off the electrical power to the motor. The fan will automatically restart when the locked rotor condition is released</p>
	<input type="checkbox"/> Polarity protection

Part Number Table

Description	Part Number
DC Brushless Fan	MC32896

<http://www.farnell.com>  
<http://www.newark.com>  
<http://www.cpc.co.uk>

This data sheet and its contents (the "Information") belong to the Premier Farnell Group (the "Group") or are licensed to it. No licence is granted for the use of it other than for information purposes in connection with the products to which it relates. No licence of any intellectual property rights is granted. The Information is subject to change without notice and replaces all data sheets previously supplied. The Information supplied is believed to be accurate but the Group assumes no responsibility for its accuracy or completeness, any error in or omission from it or for any use made of it. Users of this data sheet should check for themselves the Information and the suitability of the products for their purpose and not make any assumptions based on information included or omitted. Liability for loss or damage resulting from any reliance on the Information or use of it (including liability resulting from negligence or where the Group was aware of the possibility of such loss or damage arising) is excluded. This will not operate to limit or restrict the Group's liability for death or personal injury resulting from its negligence. SPC MULTICOMP is the registered trademark of the Group. © Premier Farnell plc 2011.

TOLERANCES:  
UNLESS OTHERWISE SPECIFIED, DIMENSIONS ARE FOR REFERENCE PURPOSES ONLY.

DRAWN BY:	DATE:
Veena	25/01/11
CHECKED BY:	DATE:
Jagan	25/01/11
APPROVED BY:	DATE:
Farnell	08/02/11

DRAWING TITLE:				DC Brushless Fan			
SIZE	DWG NO.	ELECTRONIC FILE	REV				
A	MC32896	71P8673	A				
SCALE: NTS		U.O.M.: mm		SHEET: 3 OF 3			