

Dialight

POWERWHITE

CIRCULAR LED MODULES

PWMR/PWMRD



APPLICATION

- ▲ Spot lighting
- ▲ Accent lighting
- ▲ General illumination
- ▲ Interior use only
- ▲ Architectural lighting
- ▲ Machine vision
- ▲ Display cases

All applications require additional heatsink. For factory fitted heatsink see MR16 / MR16-LV datasheet.

ORDERING INFORMATION

PWMRD-C1-AA-BB	
Typical Colour (AA) Temperature	Options
CW = 5000K – 6350K NW = 3800K – 4100K WW = 2850K – 3250K	Blank = no onboard driver D = with onboard driver
Optic (BB)	
SP = 7 degree spot WD = 13 degree wide <i>All angles are half divergence</i>	

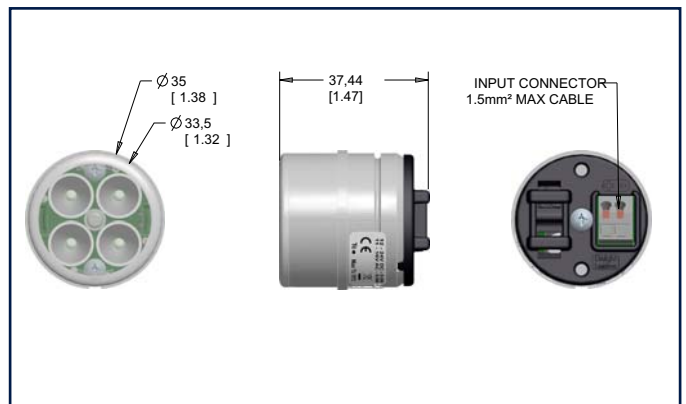
FEATURES / BENEFITS

- ▲ Utilizes 4 premium flux LUXEON® Rebel™ LEDs, 100+ lumens for cool white, 100+ lumens for neutral white and 50+ lumens for warm white
- ▲ Allows for custom heatsink or fixture design
- ▲ ETL recognized to UL standards (pending)
- ▲ Available in choice of colours & colour temperatures
- ▲ Quick connect terminal blocks for easy installation
- ▲ >70% lumen maintenance @ 50,000 hours at max operating temperature. Better at lower operating temps!

MATERIALS / FINISH

- ▲ **Casing** - ADC10 Aluminium Alloy
- ▲ **Finish** - Anodised Satin Silver
- ▲ **Connection** - Cage Clamp Connectors
- ▲ **Optics** - Dialight-Lumidrive Optics
- ▲ **Lens Cover** - Polycarbonate 143R
- ▲ **Rear Cover** - Polycarbonate 143R

MECHANICAL DIMENSIONS



Diameter x H
 35.0mm x 37.5mm (1.38" x 1.48")
 Maximum Cable Dia - 1.5mm² / 16 AWG

Dialight Europe Ltd

Exning Road • Newmarket • Suffolk, United Kingdom, CB8 0AX
 Tel :+44 (0)1638 666541 • www.dialight.com



Dialight Corporation

1501 Route 34 South • Farmingdale, NJ 07727 USA
 Tel: (1) 732-919-3119 • Fax: (1) 732-751-5778 • www.dialight.com



MDEXLUMPWMR_A

OPERATING CHARACTERISTICS

Model / Colour	Typical Total Lumen Output		Power Consumption		Drive Current / Operating Current	Input Voltage
	350mA / LV	700mA	350mA / LV	700mA	mA	
PWMR / CW	400	720	4.8W	9.6W	350 - 700	*13.5 -16VDC
PWMR / NW	400	720				
PWMR / WW	200	380				
PWMRD / CW	400	-	5.0W	-	**300mA	24VDC
PWMRD / NW	360	-				
PWMRD / WW	200	-				

Note: Lumen output based on manufacturers data

*Based on max Vf of 4.0V

**1.2A for initial switch on

OPERATING CONDITIONS

- ▲ Max case temp = 85°C @ 350mA
- ▲ PWMR requires constant current driver
PWMRD requires constant voltage driver
(See compatibility list)
- ▲ Max drive current 700mA (constant current version)
- ▲ Modules require additional heatsinking for lumen maintenance figures.
- ▲ IP20 rating

HEATSINK PERFORMANCE NOTE

Any custom designed heatsink must maintain a maximum case temperature of 85°C or less for the required working ambient temperature.

COMPATIBLE DRIVERS

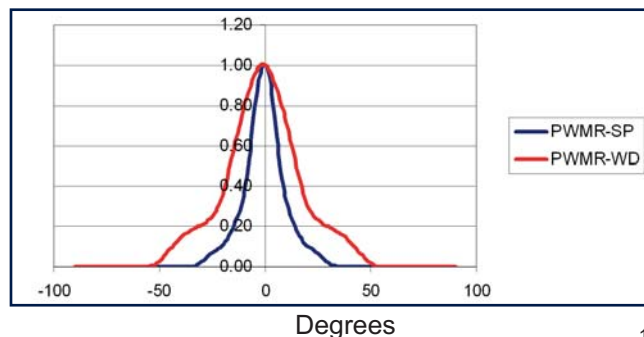
Compatible Constant Current Dialight Lumidrive Drivers:-				Compatible Dialight Lumidrive Constant Voltage DC Drivers:-		
Driver	350mA	700mA	NO. OF UNITS	Driver	24V	NO. OF UNITS
MDU 4 (MDU4-SC-35)	✓	N/A	1	MULTIDRIVER (MLD8-C-35-70)	✓	1
MDU 9 (MDU9-SC-35-70)	✓	✓	1** / 2*	MVDU25-24-P	✓	4
VARIABLED (MDE16-C-VRL)	✓	✓	2** / 4*	MVDU100-24-P	✓	1-16
MULTIDRIVER (MLD8-C-35-70)	✓	✓	2			
MINIDIM 70 (MND70)	✓	✗	1** / 2*			

*at 350mA / **at 700mA

Check with Dialight website for updates on LED drivers

PHOTOMETRIC DATA

Relative Light Output



Dialight Europe Ltd

Exning Road • Newmarket • Suffolk, United Kingdom, CB8 0AX

Tel : +44 (0)1638 666541 • www.dialight.com



Dialight Corporation

1501 Route 34 South • Farmingdale, NJ 07727 USA

Tel: (1) 732-919-3119 • Fax: (1) 732-751-5778 • www.dialight.com



MDEXLUMPWMR_A

Datasheet subject to change without notice.

Please visit www.dialight.com for updates.