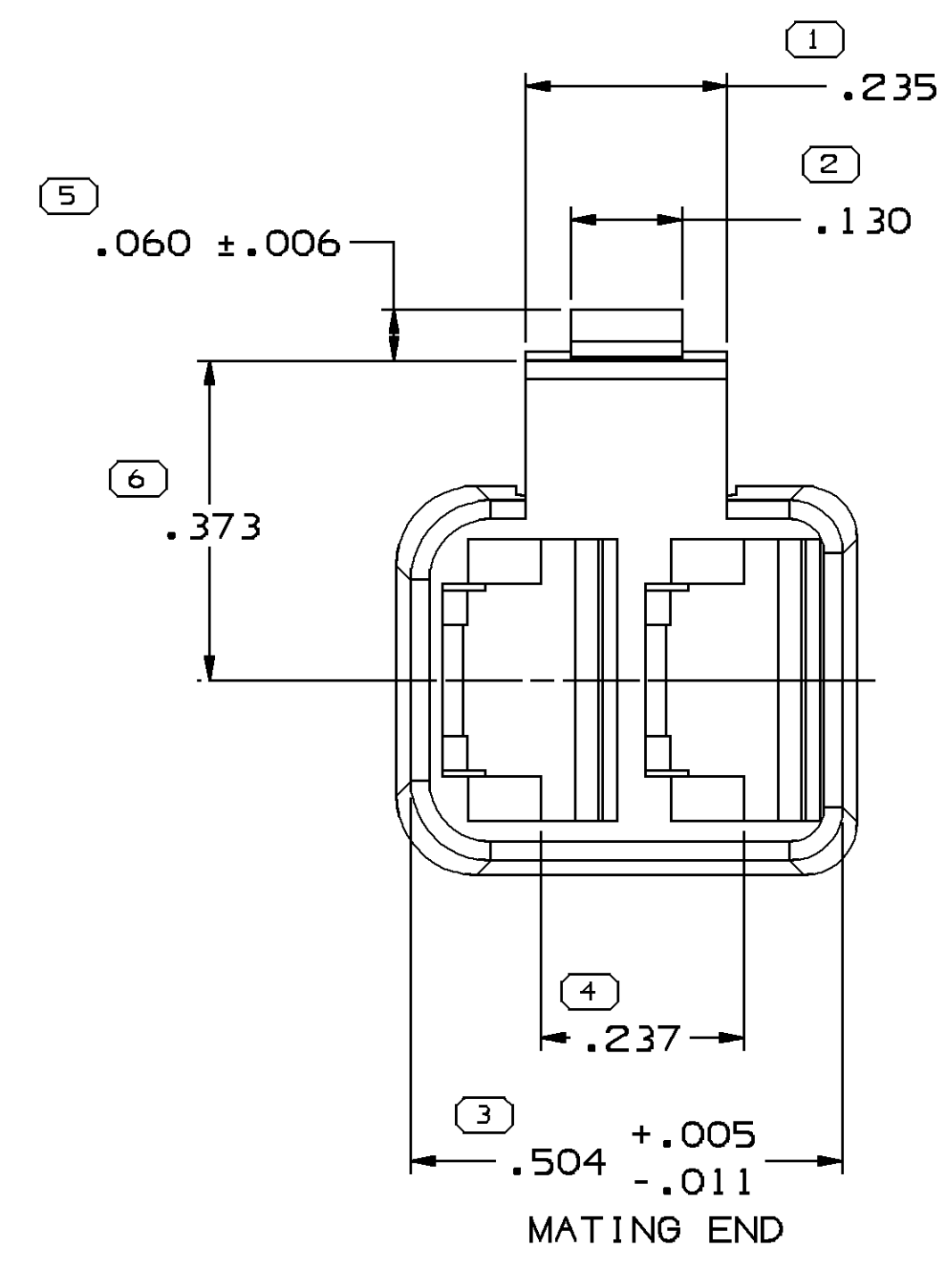
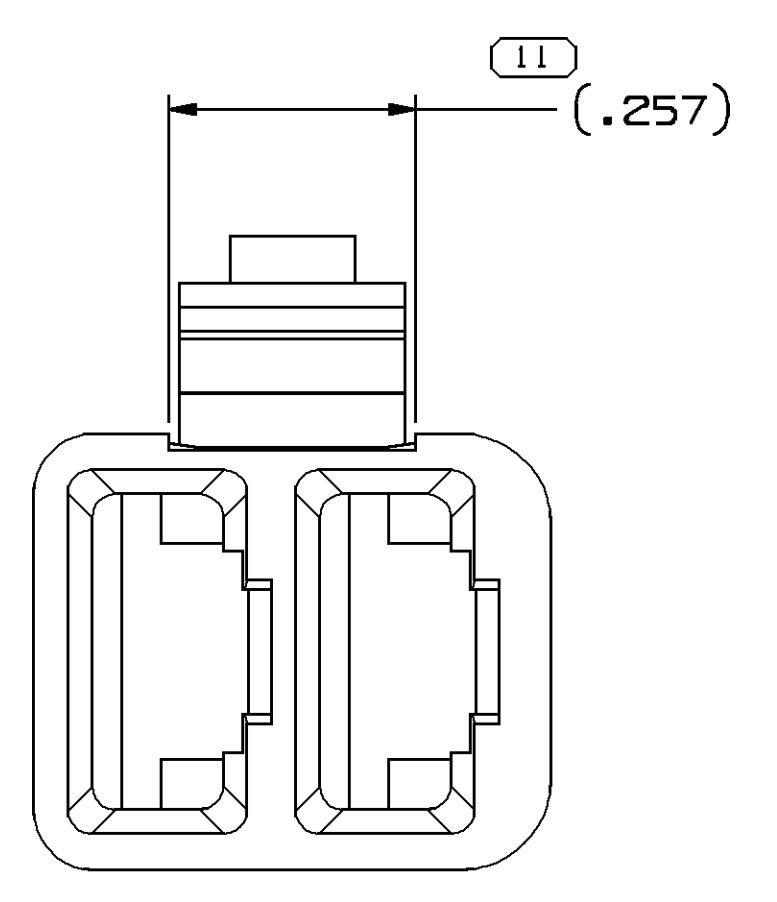
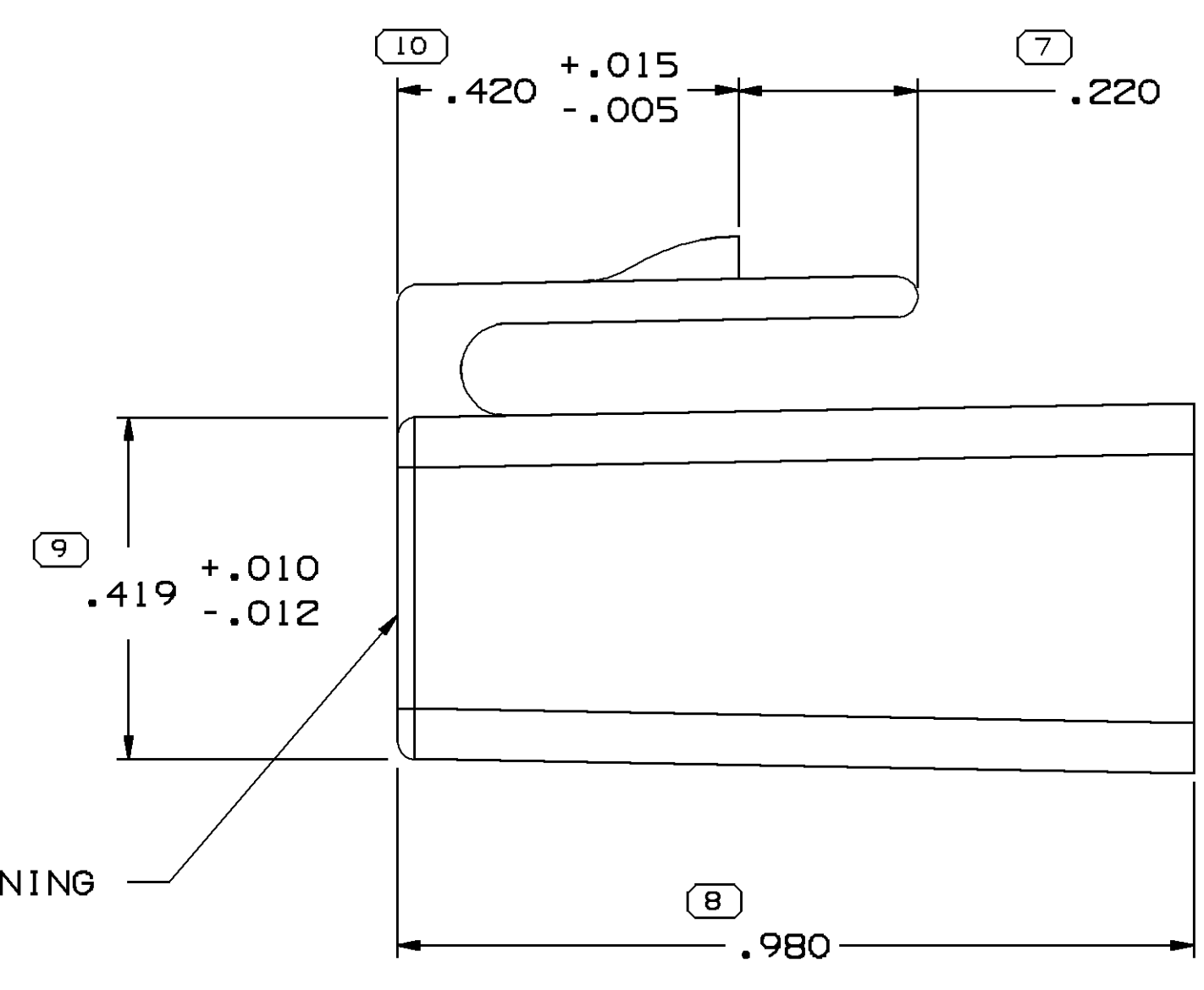


SYMBOL DEFINITION		MISSING SYMBOLS	
A DIMENSION WITHOUT AN INSPECTION REPORT SYMBOL () DOES NOT REQUIRE INSPECTION. IT MAY BE CONTROLLED ON THE INDIVIDUAL COMPONENT DRAWING.	TOTAL NO OF INSPECTIONS REQUIRED	NO MISSING SYMBOL NUMBER	
	LAST NO. USED		
		11	
		11	

DWG STATUS				ZONE	REVISION HISTORY			AUTH	DR	APVD1	APVD2
DATE	STG	REV	N/P		CHG						
14AP05	R	F3	-	-	MAT'L SPEC. WAS R0067559 FILLED PP GRA ADDED DELPHI LOGO & RECYCLING NOTES. ADDED PROCESS SENSITIVE DIMENSION NOTE			265772	VSH	MVS	ET
31MY06	R	F4	-	-	.419 \pm .010/ \pm .012 WAS .419 \pm .010 AND .504 \pm .005/ \pm .011 WAS .504			281142	RH	RH	ET



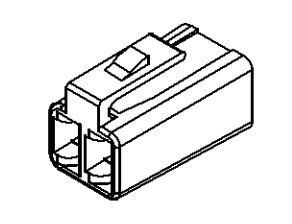
ASM DIMENSIONING POINT



CABLE END

- NOTES:
- UNLESS OTHERWISE SPECIFIED AND/OR INDICATED:
DIMENSIONS ARE TO FACE OF VIEW SHOWN.
CAVITIES ARE IDENTICAL.
LOCKING FEATURES ARE IDENTICAL.
 - MATERIAL RECYCLING CODE >PP< PER SAE J1344 (2.3) X (0.1) RAISED CHARACTERS TO BE LOCATED ON ANY EXTERIOR SURFACE.
OPTIONAL CONSTRUCTION TO BE NO MATERIAL RECYCLING NOTES.
 - THIS PART IS NOT CONTROLLED FOR AUTOMATIC FEEDING.
 - (2.3) X (0.1) RAISED DELPHI CORPORATE BRAND TO BE LOCATED ON ANY EXTERIOR SURFACE. PREFERABLY VISIBLE AT FINAL ASSEMBLY.
OPTIONAL CONSTRUCTION TO BE "PED" OR NO LOGO.
 - ALL CAVITIES SHOULD ACCEPT TERMINAL 12124512 OR EQUIVALENT

DIMENSIONAL RANGE (IN)		CHART	H	
FROM	0	>.750	>1.250	>2.750
TO	.750	1.250	2.750	4.000
TOLERANCE UNLESS OTHERWISE SPECIFIED				
	\pm .005	\pm .010	\pm .012	\pm .016
ANGULAR TOLERANCE \pm 2°				



DWG TYPE PART DRAWING	
STYLE	
VOLUME (IN ³) 1.961	DISTR CODE D
UNLESS OTHERWISE SPECIFIED	
THIS DOCUMENT IS IN ACCORDANCE WITH ASME Y14.5M-1994 AS AMENDED BY THE GM GLOBAL DIMENSIONING AND TOLERANCING ADDENDUM - 1997. ALL GEOMETRIC TOLERANCES AND RELATED DATUMS APPLY RFS. RULE #1 (PERFECT FORM AT MMC) DOES NOT APPLY WHEN RELATIONSHIP BETWEEN FEATURES IS ESTABLISHED BY ORIENTATION OR LOCATION TOLERANCES. SEPARATE POSITION CALLOUTS MAY BE GAGED SEPARATELY, REGARDLESS OF DATUM REFERENCE. ALL DIMENSIONS ARE IN INCHES.	
REFERENCE	
THIRD ANGLE PROJECTION	DO NOT SCALE
USE MATH DATA	UNIGRAPHICS

DELPHI
DELPHI PACKARD ELECTRIC SYSTEMS
WARREN, OH

DR	VINEET SHARMA	DATE	14AP05
APVD1	M.V. SANTOSH		14AP05
APVD2	KULDEEP RAJA		14AP05
APVD3	ERIC TRACEY		14AP05
APVD4			
APVD5			
SUBSTANCES OF CONCERN AND RECYCLED CONTENT PER DELPHI 10949001			
MATERIAL M2043001 PP T40 GRA			
DRAWING NAME CONN 2 F 56 SERIES GRA			
DRAWING NUMBER 02977373			
SIZE	SCALE	FRAME NO	SHEET NO
A1	5:1	1 OF 1	1 OF 1
		STG	REV
		R	F4