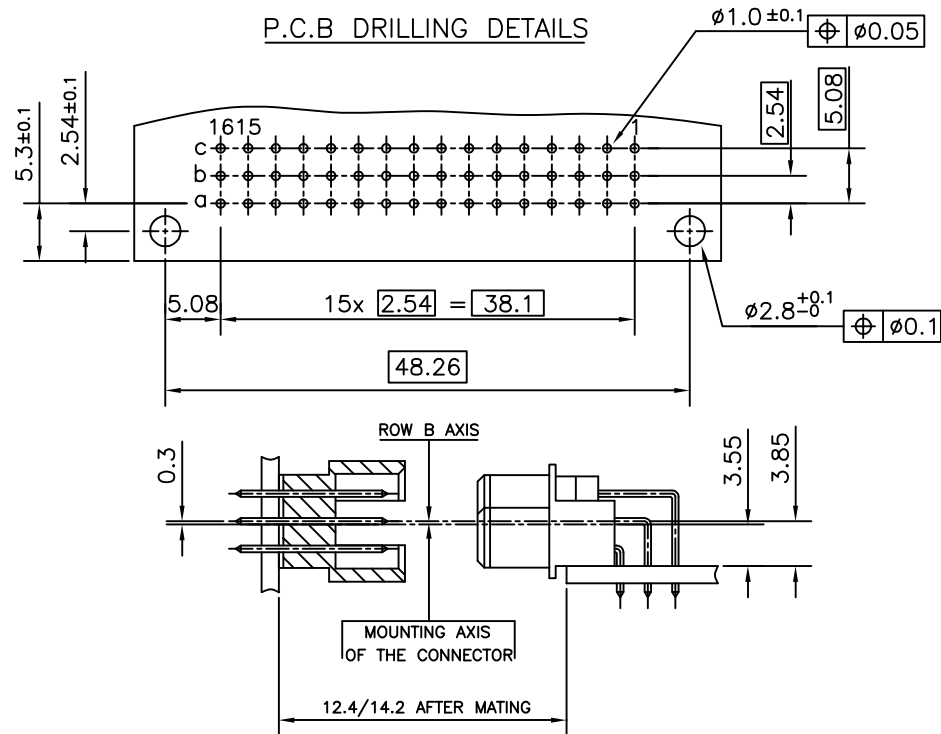


NO OPTION

WITH HARPOONS

P.C.B DRILLING DETAILS



TECHNICAL SPECIFICATION

HOUSING MATERIAL : THERMOPLASTIC POLYESTER UL 94V-0, GREY  
 HOUSING CAN WITHSTAND EXPOSURE TO LEAD FREE WAVE SOLDERING TEMPERATURE OF 260-265°C  
 WHEN USED WITH PROTECTIVE ADHESIVE OR PROTECTIVE METALLIC DEVICE FOR RIGHT ANGLE  
 CONNECTORS AS IT IS USED IN CLASSICAL LEAD WAVE SOLDERING AT 235-250°C

CONTACT MATERIAL : COPPER ALLOY  
 CONTACT PLATING :  
 ACTIVE ZONE : GOLD OVER NICKEL  
 TERMINATION ZONE :  
 TIN LEAD VERSION : TIN LEAD OVER NICKEL  
 LEAD FREE VERSION : TIN (PURE MATTE) OVER Ni  
 HARPOON PLATING :  
 TIN LEAD VERSION : TIN LEAD OVER NICKEL  
 LEAD FREE VERSION : TIN (PURE MATTE) OVER Ni

ELECTRICAL DATA

CURRENT RATING AT 20°C : 1,5 A  
 CURRENT (I MAX) : 2 A  
 TEMPERATURE RANGE : -55°C/ +125°C  
 CONTACT RESISTANCE : ≤ 20mΩ  
 INSULATION RESISTANCE : ≥ 10<sup>6</sup> MΩ  
 TEST VOLTAGE (rms) : 1000V

MECHANICAL DATA

INSERTION FORCE PER CONTACT : ≤ 0.94N  
 EXTRACTION FORCE PER CONTACT : ≥ 0.15N

REFERENCE SPECIFICATIONS : DIN 41612 / IEC 603-2

SERIES	8609	3	48	8	6	13	7	6	5	000E1
ROWS FITTED WITH CONTACTS										
Rows a b c		3	48							
Rows a - c		4	32							
NUMBER OF CONTACTS										
TYPE OF INSULATOR										
3 ROW FEMALE INSULATOR										8
METHOD OF MOUNTING										
REVERSE MOUNTING - STYLE R/2										6
TERMINATION										
ANGLED SPILL										13
OPTIONS										
NO OPTION										7
WITH HARPOONS										H
PERFORMANCE CLASS										
DIN 41612 CLASS 3										4
DIN 41612 CLASS 2										5
DIN 41612 CLASS 1										6
AS PER MIL C 55302/ JSS 50808										8
PITCH PER ROW										
2.54										5
000E1										TIN LEAD VERSION
E1LF										LEAD FREE VERSION

NOTES:-  
 1. THE "LF" PRODUCTS MEET EUROPEAN UNION DIRECTIVES AND OTHER COUNTRY REGULATIONS AS DESCRIBED IN GS-22-008  
 2. THE HOUSING WILL WITHSTAND EXPOSURE TO 260°C PEAK TEMPERATURE FOR 3.5 SECONDS IN A WAVE SOLDER APPLICATION WITH A 1.6 MM MINIMUM THICK CIRCUIT BOARD  
 3. LEAD FREE OR RoHS DIRECTIVE LABELING TO BE PROVIDED AS PER GS-14-920 FOR LEAD FREE VERSION.

mat'l. code		surface		tolerance		projection		product family	
-		ISO 1302		ISO 406 ISO 1101				8609	
ltr		ecn no		dr		date		title	
A		I04-0100		MINI		09/11/2004		DIN REVERSE RECEPTACLE	
B		I05-0042		MINI		19/05/2005		ANGLED SPILL DIN 41612 STYLE-R/2	
C		I06-0063		MINI		01/06/2006		scale -	
sheet index		revision		C		sheet		1	