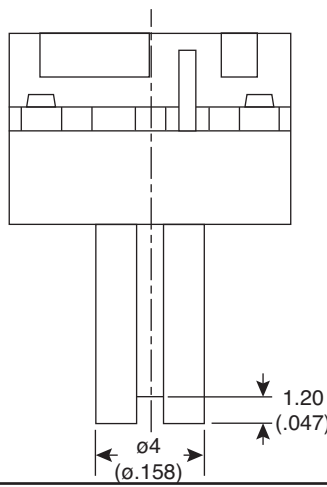
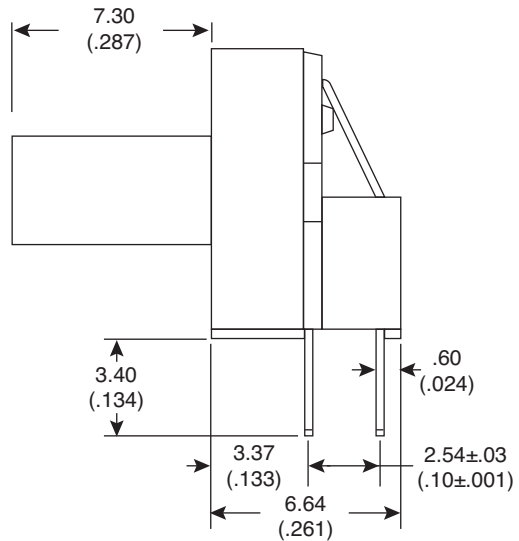
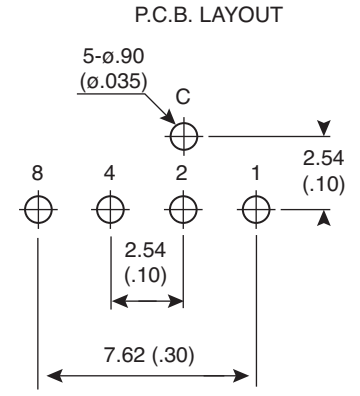
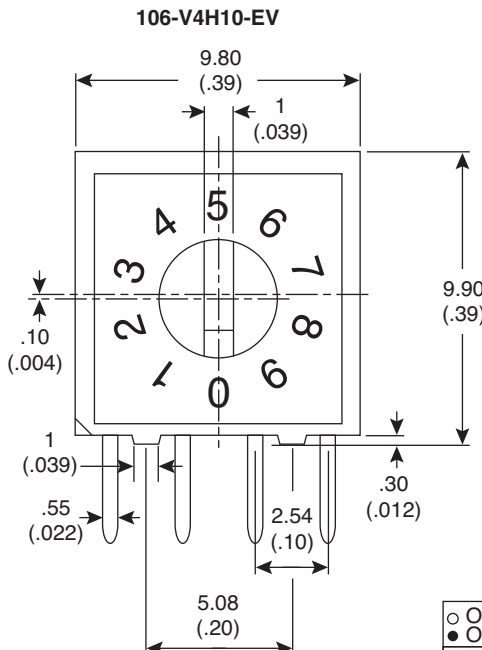
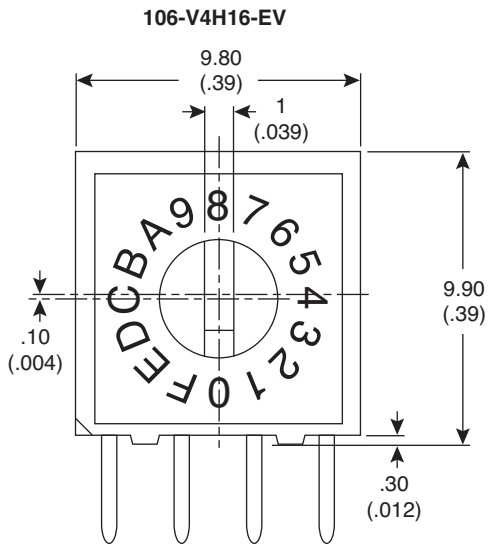


Dimensions: mm (in.)



		CODE			
		1	2	4	8
10 STEP	0	●	●	●	●
	1	○	●	●	●
	2	●	○	●	●
	3	○	○	●	●
	4	●	●	○	●
	5	●	●	○	●
	6	●	○	○	●
	7	○	○	○	●
	8	●	●	●	○
	9	○	●	●	○
16 STEP	A	●	○	●	○
	B	○	○	●	○
	C	●	●	○	○
	D	○	●	○	○
	E	●	○	○	○
	F	○	○	○	○

CIRCUIT CHART

Electrical Specifications:

- Rating
Non-Switching: 100mA/50V DC
Switching: 25mA/24V DC
- Contact Resistance: 100m Ω Max. (initial)
- Dielectric Strength: 250V AC for 1 min.
- Insulation Resistance: 100M Ω min. @ 250V DC

Mechanical Specifications:

- Operating Temperature: -25°C - +80°C
- Storage Temperature: -40°C - +85°C
- Operation Force: 200gf cm Max.

Note:

- RoHS Compliant

Rotary Dip Switches
106-V4H10-EV, 106-V4H16-EV

