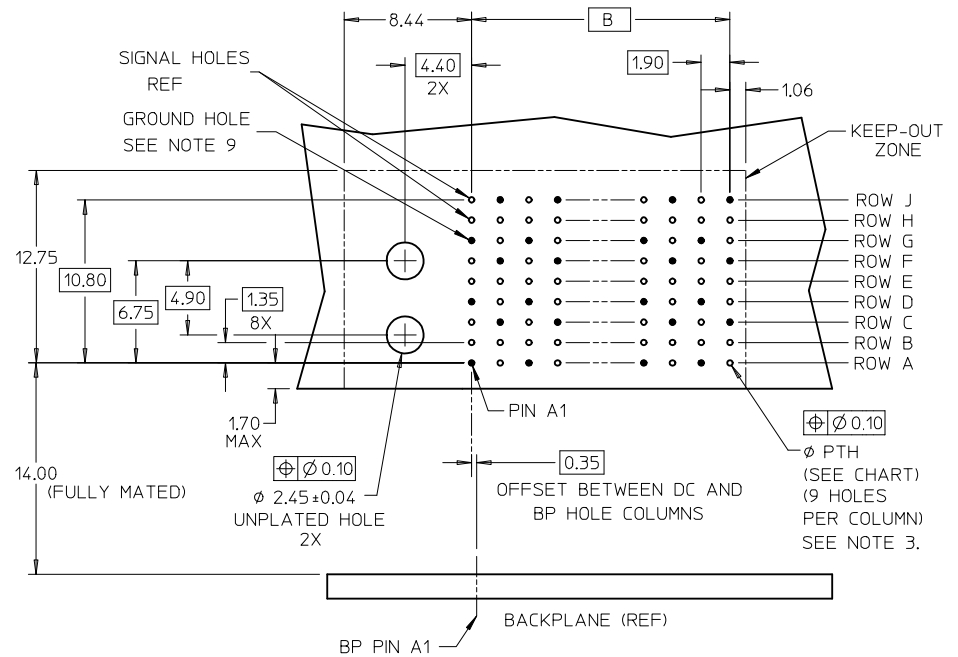
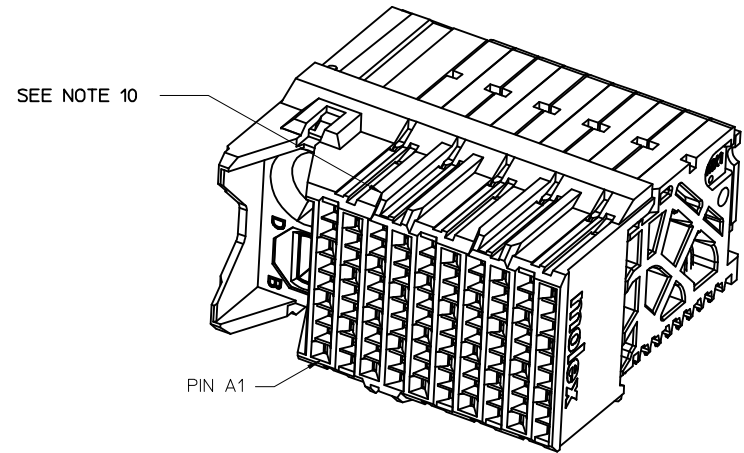
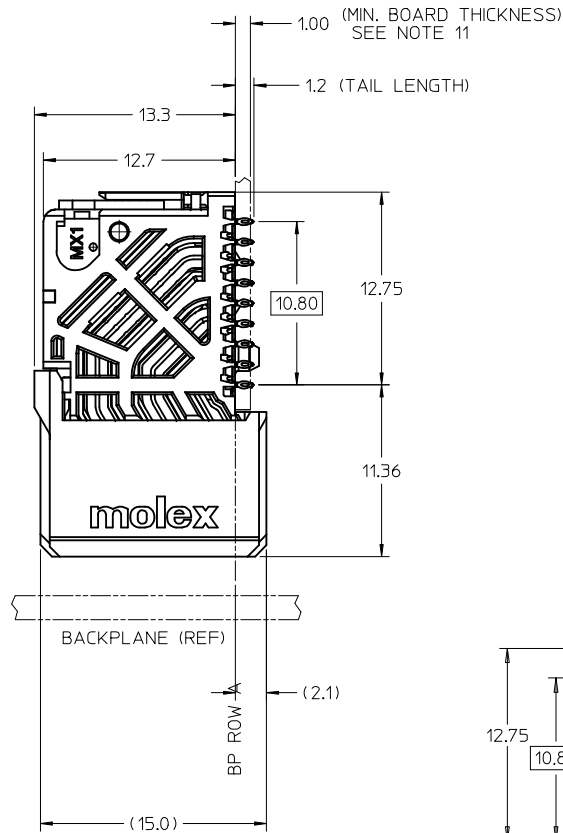


KEY SHOWN IN POSITION G



DAUGHTERCARD HOLE PATTERN (CONNECTOR SIDE)

NOTES:

1. MATERIALS: HOUSING - LIQUID CRYSTAL POLYMER (LCP), GLASS-FILLED, UL94V-0 TERMINALS - HIGH PERFORMANCE COPPER ALLOY
2. FINISH: 30 μN MIN SELECTIVE GOLD IN CONTACT AREA, SELECTIVE TIN ON PCB TAILS, NICKEL OVERALL.
3. REFER TO MOLEX PRODUCT SPEC PS-170540-999 FOR PERFORMANCE SPECIFICATIONS AND ADDITIONAL PCB INFORMATION.
4. EACH SIGNAL WAFER CONTAINS 2 COLUMNS OF TERMINALS.
5. PRODUCT IS PACKAGED PER PK-70873-591.
6. THIS PART CONFORMS TO CLASS B REQUIREMENTS OF COSMETIC SPEC PS-45499-002.
7. REFER TO MOLEX SALES DRAWING SD-170525-0002 OR RSD-170522-XXXX FOR THE MATING HEADERS.
8. REFER TO MOLEX PCB ROUTING GUIDE AS-76060-990 FOR ANTIPAD AND ROUTING RECOMMENDATIONS.
9. GROUND PATHS ARE NOT DISCRETE CIRCUITS WITHIN CONNECTOR DUE TO PRESENCE OF PLUS CLIP.
10. PART NUMBER 170530-3720 SHOWN ON DRAWING. KEYING FEATURES WILL CHANGE WITH COLUMN SIZE.
11. MINIMUM BOARD THICKNESS OF 1.00 mm FOR COMPLIANT PIN FUNCTIONALITY
12. WHEN USING MOLEX SUPPLIED # 2-32 SCREW 73726-0005 (7.62 +0.38/-0.76 THREADABLE SCREW LENGTH), THE FUNCTIONAL BOARD THICKNESS IS 1.9mm TO 2.5mm.

RMWD OAL REF DIM EC NO: UCP2013-4678 DRAWN:PREMO 2013/04/26 CHKD:TELO 2013/04/26 APPR:TELO 2013/05/09	QUALITY SYMBOLS $\nabla=0$ $\nabla=0$ $\nabla=0$	GENERAL TOLERANCES (UNLESS SPECIFIED)		DIMENSION STYLE MM ONLY		SCALE 4:1	DESIGN UNITS METRIC	THIRD ANGLE PROJECTION			
		4 PLACES ± --- ± --- 3 PLACES ± --- ± --- 2 PLACES ± 0.13 ± --- 1 PLACE ± 0.25 ± ---	mm INCH	DRAWN BY TELO	DATE 2010/05/12	TITLE IMPACT 3 PAIR PLUS 850HM DAUGHTERCARD SIGNAL GUIDE LEFT SALES DWG		MOLEX MOLEX INCORPORATED			
		ANGULAR ± 1/2°		CHECKED BY TELO	DATE 2012/02/20	APPROVED BY JB INGHAM		DATE 2012/03/12	DOCUMENT NO. SD-170530-0002		
		DRAFT WHERE APPLICABLE MUST REMAIN WITHIN DIMENSIONS		MATERIAL NO. SEE CHART		SHEET NO. 1 OF 2		THIS DRAWING CONTAINS INFORMATION THAT IS PROPRIETARY TO MOLEX INCORPORATED AND SHOULD NOT BE USED WITHOUT WRITTEN PERMISSION			

MATERIAL NUMBER	# OF COLUMNS	# OF DIFF PAIR	ESD GUIDE	DIM "A" MAX	DIM "B"	PTH ϕ
170530-3*08	8	24	NO	22.80	13.30	0.46 ± 0.05
170530-3*10	10	30	NO	26.60	17.10	
170530-3*12	12	36	NO	30.40	20.90	
170530-3*16	16	48	NO	38.00	28.50	
170530-3*38	8	24	NO	22.80	13.30	0.39 ± 0.05
170530-3*20	10	30	NO	26.60	17.10	
170530-3*22	12	36	NO	30.40	20.90	
170530-3*26	16	48	NO	38.00	28.50	


170530-3***

MODULE & TAIL PLATING TYPE
3 = LEFT GUIDED, LEAD-FREE

POLARIZATION KEY ORIENTATION

- 0 = NO KEY
 1 = A 5 = E
 2 = B 6 = F
 3 = C 7 = G
 4 = D 8 = H

- # OF COLUMNS
 08 = 8 COL 0.46 PTH
 10 = 10 COL 0.46 PTH
 12 = 12 COL 0.46 PTH
 16 = 16 COL 0.46 PTH
 20 = 10 COL 0.39 PTH
 22 = 12 COL 0.39 PTH
 26 = 16 COL 0.39 PTH
 38 = 8 COL 0.39 PTH

SEE SHEET 1 EC NO: UCP2013-4678 DRWN:PREMO 2013/04/26 CHKD:TELO 2013/04/26 APPR:TELO 2013/05/09	QUALITY SYMBOLS	GENERAL TOLERANCES (UNLESS SPECIFIED)	DIMENSION STYLE MM ONLY	SCALE 4:1	DESIGN UNITS METRIC	THIRD ANGLE PROJECTION
	$\nabla = 0$	4 PLACES \pm --- \pm ---	DRAWN BY TELO	DATE 2010/05/12	TITLE IMPACT 3 PAIR PLUS 850HM DAUGHTERCARD SIGNAL GUIDE LEFT SALES DWG	
	$\nabla = 0$	3 PLACES \pm --- \pm ---	CHECKED BY TELO	DATE 2012/02/20		
	$\nabla = 0$	2 PLACES ± 0.13 \pm ---	1 PLACE ± 0.25 \pm ---	APPROVED BY JB INGHAM	DATE 2012/03/12	 MOLEX INCORPORATED MATERIAL NO. SEE CHART DOCUMENT NO. SD-170530-0002
	ANGULAR $\pm 1/2^\circ$		SHEET NO. 2 OF 2			
B1	DESCRIPTION	DRAFT WHERE APPLICABLE MUST REMAIN WITHIN DIMENSIONS	THIS DRAWING CONTAINS INFORMATION THAT IS PROPRIETARY TO MOLEX INCORPORATED AND SHOULD NOT BE USED WITHOUT WRITTEN PERMISSION			