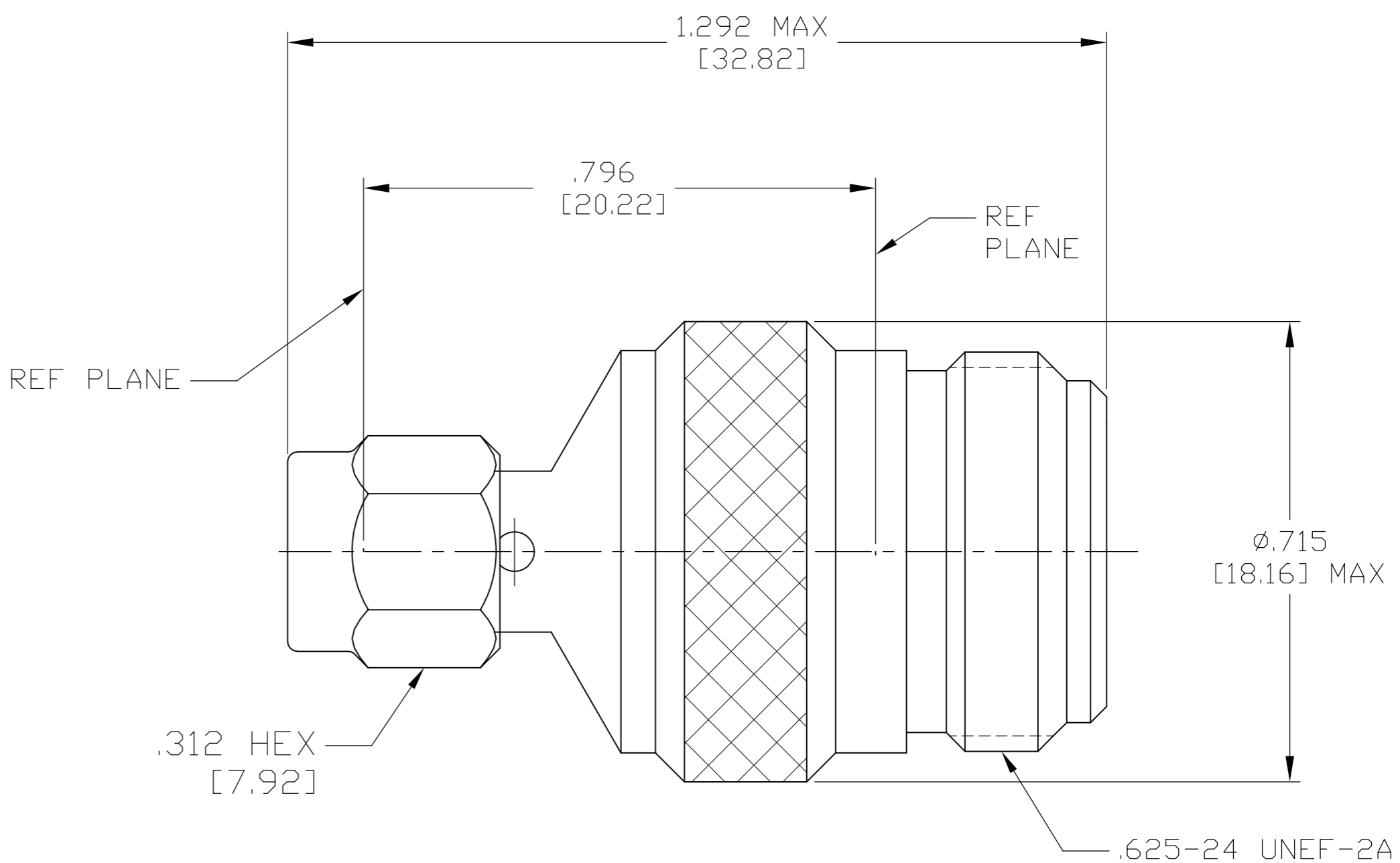


THIS DRAWING IS UNPUBLISHED. RELEASED FOR PUBLICATION		
© COPYRIGHT BY TYCO ELECTRONICS CORPORATION. ALL INTERNATIONAL RIGHTS RESERVED.		
HOUSING COUPLING NUT	STAINLESS STEEL PER ASTM-A484 AND ASTM-A582, TYPE 303	PASSIVATE PER ASTM-A380
DIELECTRIC	TFE FLUOROCARBON PER ASTM-D-1457	N/A
CENTER CONTACT	BERYLLIUM COPPER PER ASTM B 196, ALLOY C17300, CONDITION H	GOLD PLATE PER MIL-G-45204
RETAINING RING	BERYLLIUM COPPER PER ASTM B 194, ALLOY C17200, CONDITION H	N/A
GASKET	SILICONE RUBBER PER ZZ-R-765	N/A
COMPONENT	MATERIAL	FINISH

LOC	DIST	REVISIONS					
-	-	P	LTR	DESCRIPTION	DATE	DWN	APVD
		A		RELEASED PER ECO 09-018723	8-13-09	CT	DW



ELECTRICAL	MECHANICAL	ENVIRONMENTAL
Nominal Impedance (Ohms) <u>50</u>	Interface Dimensions MIL-STD-348A, Fig. 310.1 (SMA) & 304.2 (N)	TEMPERATURE RATING <u>-65°C TO +125°C</u>
Frequency Range (GHz) DC to <u>15</u>	Recommended Mating Torque:	Vibration MIL-STD-202, Method 204, Condition B
Volt Rating (VRMS MAX) @ Sea Level <u>335</u>	SMA: <u>7-10 in-lbs</u>	Shock MIL-STD-202, Method 213, Condition I.
VSWR DC - 12.4GHz: <u>1.05+0.05f(GHz) MAX</u>	Type N: <u>12-15 in-lbs</u>	Thermal Shock MIL-STD-202, Method 107, Condition C, EXCEPT HIGH TEMP SHALL BE +115°C
12.4 - 15.0GHz: <u>.83+0.23f(GHz) MAX</u>	Mating Characteristics:	Moisture Resistance MIL-STD-202, Method 106
Insertion Loss (dB MAX) <u>.18 @ 9GHz</u>	SMA-Insertion (MAX lbs) <u>N/A</u>	Corrosion - MIL-STD-202, Method 101, Condition B, 5% salt spray
RF Leakage (dB MIN) <u>-65 @ 2-3 GHz</u>	Type N-Insertion (MAX lbs) <u>2.0</u>	
Corona, 70,000 Ft (VRMS MIN) <u>250</u>	SMA-Withdrawal (MIN oz) <u>N/A</u>	
Dielectric Withstanding Voltage (VRMS MIN) @ Sea Level <u>1,000</u>	Type N-Withdrawal (MIN oz) <u>2.0</u>	
Contact Resistance (Milliohms MAX) Center Contact <u>4.1</u>	Force to Engage and Disengage SMA (in-lbs MAX) <u>2.0</u>	
Outer Contact <u>2.2</u>	Type N (in-lbs MAX) <u>6.0</u>	
Cable to Housing <u>N/A</u>	Center Contact Captivation Axial (lbs) <u>6.0</u>	
RF High Potential @ Sea Level (VRMS MIN @ 5 MHz) <u>1,000</u>	Radial (in-oz) <u>N/A</u>	
I.R.(Megohms MIN) <u>5,000</u>	Cable Retention Axial Force (lbs) <u>N/A</u>	
	Torque (in-oz) <u>N/A</u>	
	Weight (Grams) <u>TBD</u>	

THIS DRAWING IS A CONTROLLED DOCUMENT.		DWN C.C.THOMAS 8-13-09	Tyco Electronics Corporation Harrisburg, PA 17105-3608	
DIMENSIONS: INCHES [mm]		CHK D.WILSON 8-13-09	NAME SMA PLUG TO N SERIES JACK ADAPTER	
TOLERANCES UNLESS OTHERWISE SPECIFIED:		APVD D.WILSON 8-13-09	CAGE CODE 00779	
0 PLC ± -		PRODUCT SPEC	DRAWING NO 1883417	
1 PLC ± -		APPLICATION SPEC	RESTRICTED TO	
2 PLC ± -			SCALE 5:1 SHEET 1 of 1 REV A	
3 PLC ± .005 [0.13]				
4 PLC ± -				
ANGLES ± -				
FINISH SEE TABLE		WEIGHT -		
MATERIAL SEE TABLE		CUSTOMER DRAWING		

1883417