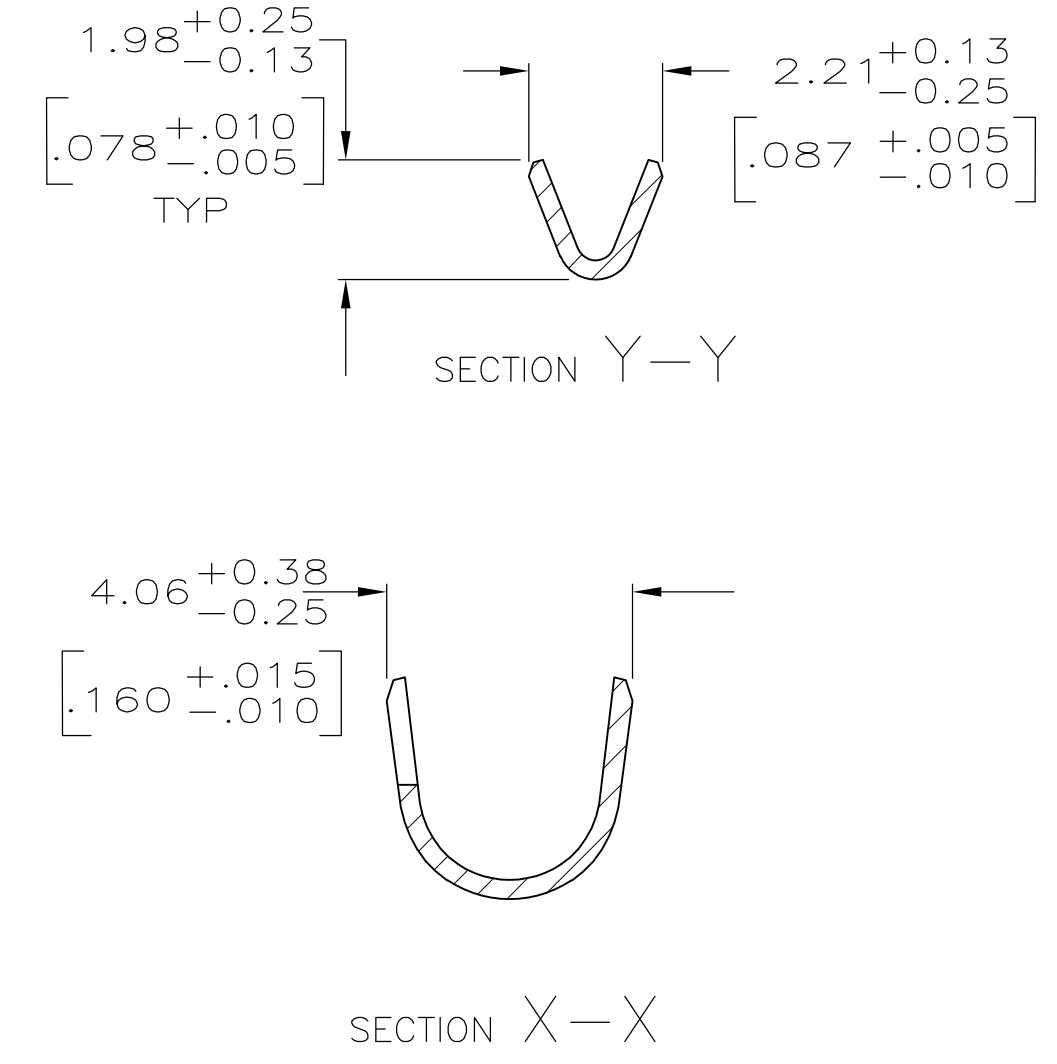
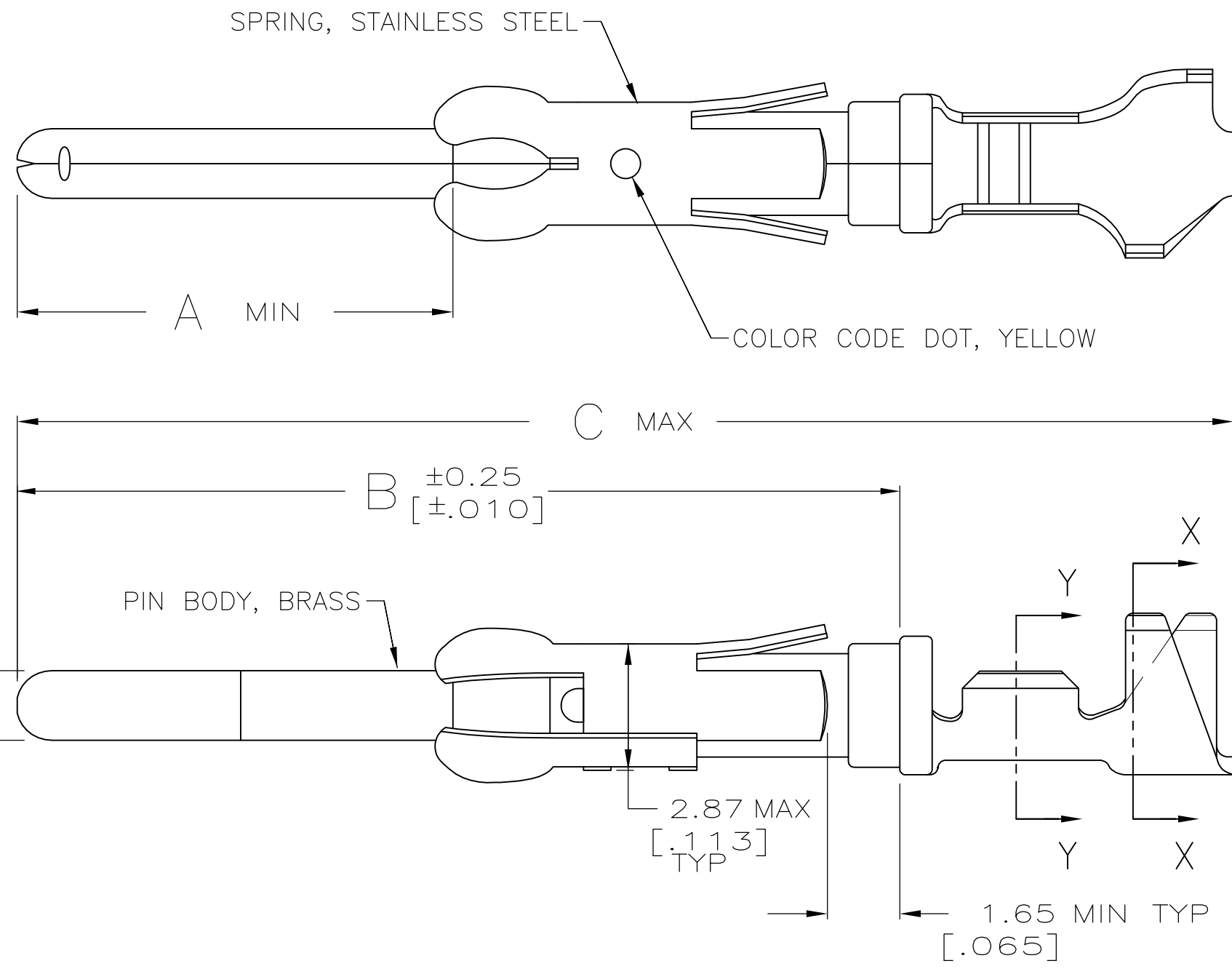


THIS DRAWING IS UNPUBLISHED. RELEASED FOR PUBLICATION  
 © COPYRIGHT - By - ALL RIGHTS RESERVED.

LOC	DIST	REVISIONS			
P	LTR	DESCRIPTION	DATE	DWN	APVD
FT	47	R1	REVISED PER ECO-14-001124	24JAN2014	NK MZ



- 1 1.27µm [.000050] MIN TIN-LEAD OVER  
1.27µm [.000050] MIN NICKEL.
- 2 0.76µm [.000030] MIN PRECIOUS METAL PLATE ON MATING END FOR A LENGTH OF 5.08 [.200] MIN OVER 1.27µm [.000050] MIN NICKEL PLATE. 0.25µm [.000010] MIN GOLD ON THE REMAINDER ALL OVER 1.27µm [.000050] MIN NICKEL. CONFORMS TO THE REQUIREMENTS OF TE CONNECTIVITY PRODUCT SPEC 108-10042, BASED ON EIA/ECA-364-1000.01A ( CONTROLLED ENVIRONMENT APPLICATIONS ).
- 3 0.76µm [.000030] MIN PRECIOUS METAL PLATE ON MATING END FOR A LENGTH OF 5.08 [.200] MIN WITH 1.27µm [.000050] MIN MATTE TIN PLATE IN WIRE CRIMP AREA BOTH OVER 1.27µm [.000050] MIN NICKEL PLATE. CONFORMS TO THE REQUIREMENTS OF TE CONNECTIVITY PRODUCT SPEC 108-10042, BASED ON EIA/ECA-364-1000.01A ( CONTROLLED ENVIRONMENT APPLICATIONS ).
- 4 0.38µm [.000015] MIN GOLD IN LOCALIZED PLATE AREA, GOLD FLASH ON THE REMAINDER ALL OVER 1.27µm [.000050] NICKEL.
- 5 WIRE RANGE 24-20 AWG.
- 6 INSULATION RANGE 1.52[.060]-3.05[.120] DIA.
- 7 0.38µm [.000015] MIN GOLD PER MIL-G-45204 IN LOCALIZED PLATE AREA, 1.27µm [.000050] MIN TIN-LEAD PER MIL-T-10727 FOR A LENGTH OF 5.69 [.224] MIN ON OPPOSITE END, BOTH OVER 1.27µm [.000050] MIN NICKEL PER QQ-N-290 ON ENTIRE CONTACT.
- 8 1.27µm [.000050] MIN TIN OVER  
1.27µm [.000050] MIN NICKEL.

	27.56 [1.085]	20.17 [.794]	9.91 [.390]	8	1-66564-2 OR 1-66564-3	66566-7
OBSOLETE	27.56 [1.085]	20.17 [.794]	9.91 [.390]	7	1-66564-1	66566-6
OBSOLETE	30.78 [1.212]	23.85 [.939]	13.59 [.535]	1	1-66564-0	66566-5
	27.56 [1.085]	20.17 [.794]	9.91 [.390]	3	66564-8	66566-4
OBSOLETE	27.56 [1.085]	20.17 [.794]	9.91 [.390]	4	-	66566-3
	27.56 [1.085]	20.17 [.794]	9.91 [.390]	1	66564-2	66566-2
	27.56 [1.085]	20.17 [.794]	9.91 [.390]	2	66564-1	66566-1
	C	B	A	FINISH	STRIP P/N REF	PART NUMBER

THIS DRAWING IS A CONTROLLED DOCUMENT.

DWN H MOLL 10-1-90  
 CHK J.MCCLINTON 12-15-90  
 APVD A.BOULLTANNE 12-10-90

TE Connectivity

PIN ASSEMBLY, LOOSE PIECE, TYPE III+

SIZE A2 CAGE CODE 00779 DRAWING NO C-66566 RESTRICTED TO -

MATERIAL SEE CALL OUT FINISH PIN BODY: SEE TBL WEIGHT - SCALE 8:1 SHEET 1 OF 1 REV R1

CUSTOMER DRAWING