



## CPM 602

### Piezoresistive Monolithic Ceramic Pressure Sensor

- Excellent chemical resistance
- Easy mounting
- Pressure ranges  
30 to 6000 psi gauge

#### Standard Pressure Ranges

PSI <sup>1)</sup>	bar	Proof pressure		Admissible negative pressure [PSI <sup>1)</sup> / bar]	Burst pressure		Output signal [mV/V]	
		[PSI <sup>1)</sup> / bar]			[PSI <sup>1)</sup> / bar]			
30	2	60	4	vacuum resistant	120	≥ 8	1.8 to 3.4	
75	5	150	10		300	≥ 20	2.0 to 3.5	
150	10	300	20		525	≥ 35	2.4 to 4.0	
300	20	600	40		900	≥ 60	2.8 to 4.2	
750	50	1500	100		2100	≥ 140	2.7 to 4.0	
1500 <sup>3)</sup>	100	2250	150		4500	≥ 300	2.0 to 3.2	
3000 <sup>3)</sup>	200	4500	300		6000	≥ 400	1.8 to 3.3	
6000 <sup>3)</sup>	400	7500	500		9750	≥ 650	1.5 to 3.0	
other on request								

#### Reference Conditions

Supply voltage	2 to 30 V <sub>DC</sub> stabilized (I <sub>max.</sub> = 4mA)
Bridge resistance	11 kΩ ± 30 %
Reference temperature	25 °C
Measuring supply voltage	10 V <sub>DC</sub>

#### Performance Characteristics

Offset	- 0.4 to 0.0 mV/V (Other nominal values available on request)
Total error (non-linearity, hysteresis, non-repeatability)	Pressure ranges: ≤ 750 psi: ≤ ± 0.4 % FS (terminal based) Pressure ranges: > 750 psi: ≤ ± 0.8 % FS typ. (1.5 % FS max.) (terminal based)
Long term stability	≤ ± 0.3 % FS/ year (at reference conditions)
TC Offset (TC0)	≤ ± 0.02 % FS / °C <sup>2)</sup>
TC Span (TCS)	≤ - 0.012 % FS / °C <sup>2)</sup>

#### Environmental Specification

Temperature range	- 40 to 135 °C
Storage temperature range	- 50 to 150 °C
Compensated temperature range	0 to 85 °C

1) PSI values around rounded and for reference only

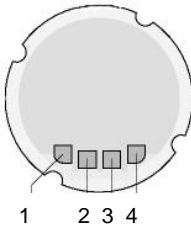
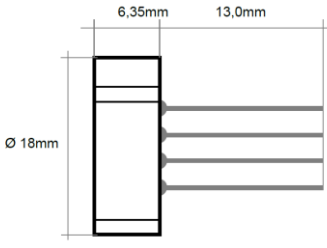
2) Over compensated temperature range

3) Only sealed gauge available

# CPM-602

Ceramic Pressure Sensor

Specifications

Electrical connection	
Standard	Pins, pitch 0.1 inch / 2.54mm
Miscellaneous	
Media wetted parts	Ceramic Al <sub>2</sub> O <sub>3</sub> 96 %
Weight	approx. 5 g
Dimension	∅ = 18 ± 0.1 mm    d = 6.35 ± 0.1 mm
Mechanical	
	1    + IN 2    - OUT 3    GND 4    + OUT
	

Ordering code																		
CPM602	<table border="1" style="display: inline-table; border-collapse: collapse;"> <tr> <td style="width: 15px; height: 15px;"></td> <td style="width: 15px; height: 15px;"></td> <td style="width: 15px; height: 15px;"></td> <td style="width: 15px; height: 15px;"></td> <td style="width: 15px; height: 15px;"></td> <td style="width: 15px; height: 15px;"></td> <td style="width: 15px; height: 15px;"></td> <td style="width: 15px; height: 15px;"></td> <td style="width: 15px; height: 15px;"></td> <td style="width: 15px; height: 15px;"></td> <td style="width: 15px; height: 15px;"></td> <td style="width: 15px; height: 15px;"></td> <td style="width: 15px; height: 15px;"></td> <td style="width: 15px; height: 15px;"></td> <td style="width: 15px; height: 15px;"></td> <td style="width: 15px; height: 15px;"></td> <td style="width: 15px; height: 15px;"></td> </tr> </table>																	
Type of pressure	gauge    G																	
Pressure ranges																		
30 psi / 2 bar	0 3 0																	
75 psi / 5 bar	0 7 5																	
150 psi / 10 bar	1 5 0																	
300 psi / 20 bar	3 0 0																	
750 psi / 50 bar	7 5 0																	
1500 psi / 100 bar	1 K 5																	
3000 psi / 200 bar	3 K 0																	
6000 psi / 400 bar	6 K 0																	
Electrical connection																		
Solder pads tinned, pitch 0.1 inch / 2.54mm <sup>4)</sup>	2 0 1																	
Pins, pitch 0.1 inch / 2.54mm	2 0 2																	
Others – on request	9 9 9																	
Options																		
Standard	0 0 1																	

4) minimum order quantity required

This data sheet contains product specifications, properties are not guaranteed. Subject to be change without notice.