



# AB SERIES COMPACT IEC CONNECTOR FILTERS



## INTRODUCTIONS

1. Power module incorporates an IEC connector, single or double fuse (IEC 5 x 20mm) holder, and double-pole power switch, plus an EMI filter all-in-one easy-to-install unit.
2. All part numbers are UL recognized and CSA certified.

## COMPONENTS

PART NO.	Cx (uF)	L (mH)	Cy (pF)	R (Ohm)
01AB2D	0.22	10.5	2200	1M
01AB2S				
03AB2D		2.5		
03AB2S				
06AB2D		0.8		
06AB2S				

## MINIMUM INSERTION LOSS IN dB

COMMON MODE (L-G) IN 50 OHM SYSTEM						
CURRENT RATING	FREQUENCY-MHz					
	.15	.50	1.0	5.0	10	30
1A	30	35	40	40	40	35
3A	20	25	30	40	40	35
6A	10	15	20	35	40	35
DIFFERENTIAL MODE (L-L) IN 50 OHM SYSTEM						
1A	8	20	30	40	40	35
3A	7	15	25	40	40	35
6A	5	15	20	35	40	35

## TYPE & RATED CURRENT

DELTA PART NO.	01AB2D	03AB2D	06AB2D	01AB2S	03AB2S	06AB2S
RATED CURRENT 115VAC	1A	3A	6A	1A	3A	6A
250VAC	1A	3A	6A	1A	3A	6A
IEC CONNECTOR	△	△	△	△	△	△
FUSE	DOUBLE			SINGLE		
• DOUBLE-POLE POWER SWITCH	DOUBLE			DOUBLE		
ELECTRICAL SCHEMATIC (FIG.)	A			B		

- UL & CSA approved current rating: UL/CSA-10A.
- Electrical lifetime: 10,000 cycles.
- Maximum inrush current: 51A.

## MECHANICAL CONSTRUCTION



AB2D

## SPECIFICATIONS

1. Maximum leakage current each line-to-ground @ 115VAC 60Hz: 0.2mA  
@ 250VAC 50Hz: 0.4mA
2. Hipot rating (one minute)  
line-to-ground: 2250VDC  
line-to-line: 1450VDC
3. Operating frequency: 50/60Hz
4. Rated voltage: 115/250VAC

## ELECTRICAL SCHEMATIC

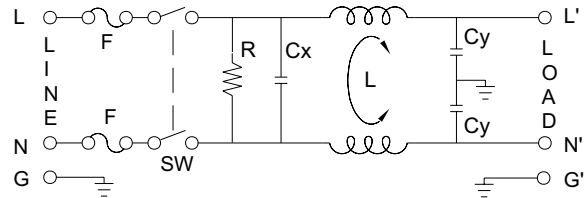


FIG. A

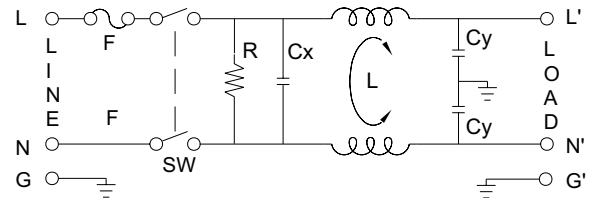
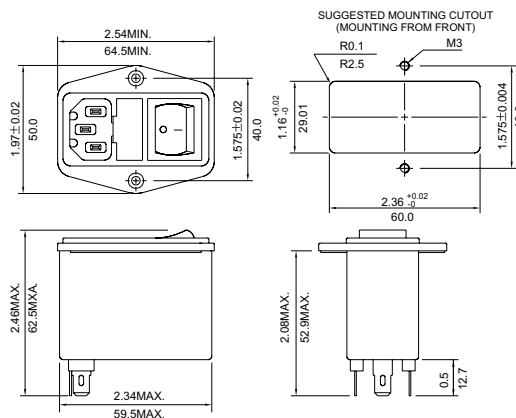


FIG. B



UNIT: INCH  
MM