



Main

Range of product	Magelis IPC
Product or component type	PC BOX
Device short name	S-BOX PC Universal
Processor name	Atom N2600 dual core 1.6 GHz
Free slots	1 Internal SATA SSD 1 CFast
Operating system	Windows Embedded Premium 7 32 bits
Software package	Vijeo XD run time demo Vijeo Designer run time demo Vijeo Connect annual subscription secure remote access

Complementary

Range compatibility	IDisplay
Data storage equipment	126 GB Flash disk SSD TLC for 1500000 h
Memory description	Internal 4 GB RAM DDR3
Number of slots	1 mini PCI Express full-size
Display resolution	1920 x 1200 pixels
Watchdog timer	1...255 ms
Type of cooling	Fanless
Integrated connection type	COM1 serial link with 2 male SUB-D 9 RS232 VGA with 1 Ethernet with 3, transmission rate: 10/100/1000 Mbps USB 2.0 port with 5 COM1 serial link with 4 male SUB-D 9 RS232/422/485 Audio output with 1 HDMI with 1
[Us] rated supply voltage	24 V DC power supply
Supply voltage limits	12...24 V
Line Rated Current	1.5 A
Power consumption in W	16 W
Input/output number	8 digital configurable by software
Depth	5.24 in (133 mm)
Height	2.69 in (68.4 mm)
Width	10.41 in (264.5 mm)
Product weight	5.51 lb(US) (2.5 kg)
Main type	Universal

Environment

product certifications	CULus GOST CCC
standards	CSA 22-2 No 60950-1-07 EN 55011 class A group 1 EN 61000-6-4 FCC Part 15 UL 60950-1 EN 61131-2 ed. 3
quality labels	CE
directives	2004/108/EC - electromagnetic compatibility 2006/95/EC - low voltage directive

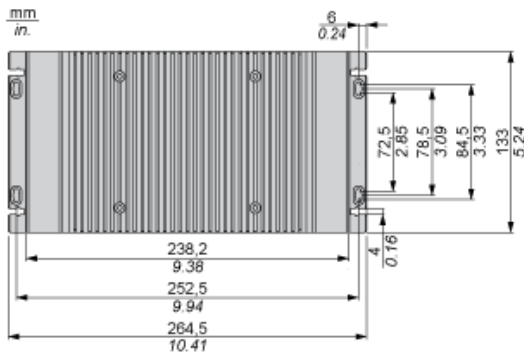
IP degree of protection	IP40 conforming to IEC 60529
electromagnetic compatibility	Conducted and radiated emissions class A EN 55022 Immunity to high frequency interference IEC 61000-4 Disturbing field emission class A EN 55011
ambient air temperature for storage	-40...185 °F (-40...85 °C) conforming to IEC 60068-2-2 -40...185 °F (-40...85 °C) conforming to IEC 60068-2-14
relative humidity	10...85 % conforming to EN/IEC 60068-2-30
ambient air temperature for operation	32...122 °F (0...50 °C) conforming to EN/IEC 60068-2-2
operating altitude	2000 conforming to IEC 60664-1
vibration resistance	1.75 mm 2...9 Hz conforming to IEC 60068-2-6 0.5 gn 9...200 Hz conforming to IEC 60068-2-6
shock resistance	50 gn 11 ms conforming to IEC 60068-2-27

Offer Sustainability

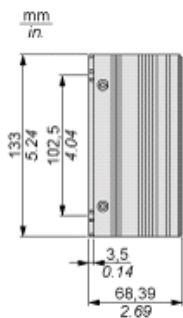
Green Premium product	Green Premium product
Compliant - since 1402 - Schneider Electric declaration of conformity	Compliant - since 1402 - Schneider Electric declaration of conformity
Reference not containing SVHC above the threshold	Reference not containing SVHC above the threshold
Available	Available
Available	Available
WARNING: Cancer and Reproductive Harm - www.P65Warnings.ca.gov	WARNING: Cancer and Reproductive Harm - www.P65Warnings.ca.gov

Dimensions

Top View

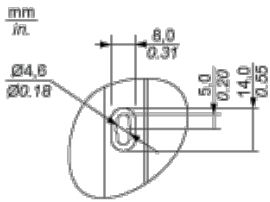


Side View

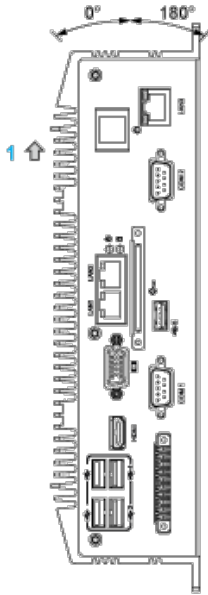


Mounting

Unit Designed for M4 Screws

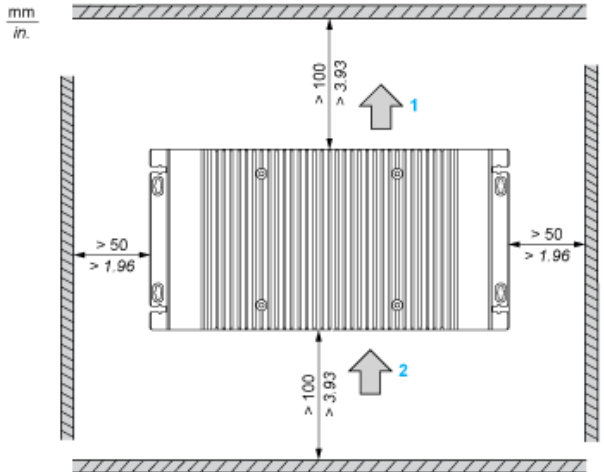


Mounting Angle



- (1) Heat sink

Spacing Requirements for Air Circulation



- (1) Air out
- (2) Air in