

2

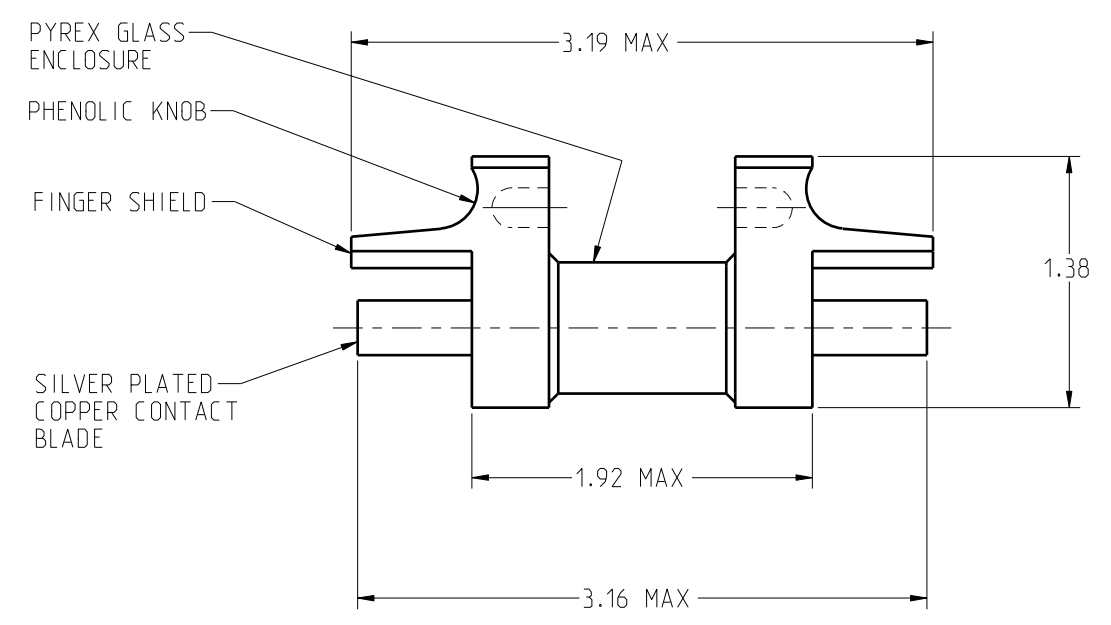
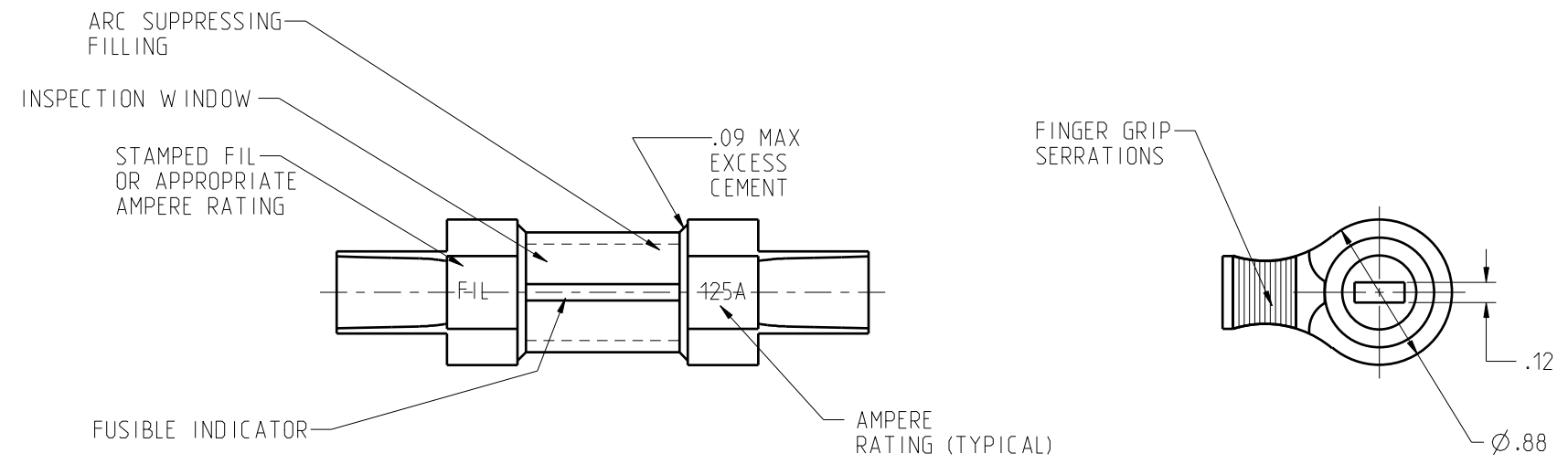
1

DWG. NO.
SA20635

APPLICATION:
120/208 VOLT 400 CYCLE
ALTERNATING CURRENT

REFERENCES:
LIMITER BASE F3H3 - SC20636
LIMITER ASS'Y - FC21634

MATERIAL:
AS NOTED.



THIS DRAWING IS A CONTROLLED DOCUMENT FOR SOURIAU USA, INC. IT IS SUBJECT TO CHANGE WITHOUT NOTIFICATION. CONTACT THE DOCUMENT CONTROL CENTER FOR THE LATEST REVISION.

THE INFORMATION CONTAINED IN THIS DRAWING IS CONFIDENTIAL AND MAY NOT BE DISCLOSED WITHOUT WRITTEN CONSENT FROM SOURIAU USA, INC.

B

A

K	REVISED PER ECN 10894	RKD 07-07-09	SDH 07-07-09
J	REVISED PER ECN10186	GRB 03-06-07	FLR 03-06-07
8	ADDED CORE HOLE PER ECW 1410	SE 8-12-83	CEB 8-12-83
7	DWG REACTIVATED SEE REV. REF PRINT ECC3817	LH 12-15-79	PP 12-15-79
6	OBSOLETE PER ECC3484	LH 1-24-78	SFP 1-24-78
5	REDRAWN WITHOUT CHANGE	BB 11-14-60	CRS 11-14-60
REV	DESCRIPTION	BY DATE	CHKD DATE

AMPERE RATING	CATALOG NUMBER
80	FIL80
100	FIL100
125	FIL125

LINEAR MEASURE: INCH [mm]	
THIRD ANGLE PROJECTION	
TOLERANCES UNLESS OTHERWISE SPECIFIED	
No. OF PLACES	INCH [mm]
ONE PLACE	±.1 [±.3]
TWO PLACES	±0.02 [±.5]
THREE PLACES	±0.010 [±.25]
ANGLES ±1°	

DRAWING TITLE LIMITER AIRCRAFT FUSE		DRAWN: GRB 03-06-07	
CAT NO. FILL --- (SEE TABLE)		CHKD : FLR 03-06-07	
CAGE NO: 09922	SIZE: B	DSGN : GRB 03-06-07	MFG : DW/H 03-06-07
CUSTOMER	INTERPRET THIS DRAWING IN ACCORDANCE WITH ASME Y14.5M - 1994.	QC : DK 03-06-07	DRAWING SCALE: 1:1
		DRAWING NO. REV	
www.souriau.com		SA20635	K
		1 OF 1	

2

1

PRO-E