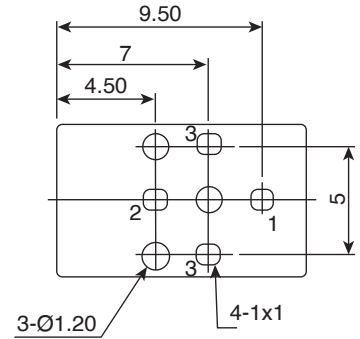
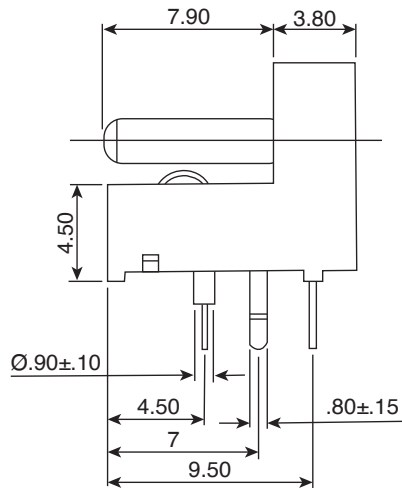
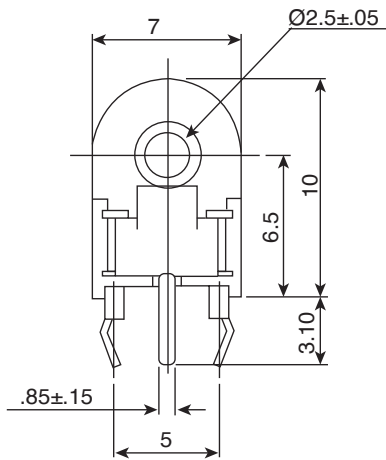
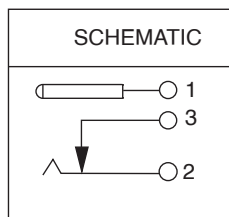


DIMENSIONS: mm



T:1.6 Dimensions of PC board holes
Tolerance : ± 0.1(Printed-top view)



| Materials | | |
|---------------------|-------------------|-----------|
| HOUSING | PA66 | BLACK |
| CENTER PIN | H59(COPPER ALLOY) | Ni PLATED |
| SHUNT TERMINAL | C2680 ← t=0.30 | Ag PLATED |
| TIP SPRING | C5191 ← t=0.25 | Ag PLATED |
| CENTER PIN TERMINAL | C2680 ← t=0.30 | Ag PLATED |

- Note:**
- RoHS Compliant by Exemption