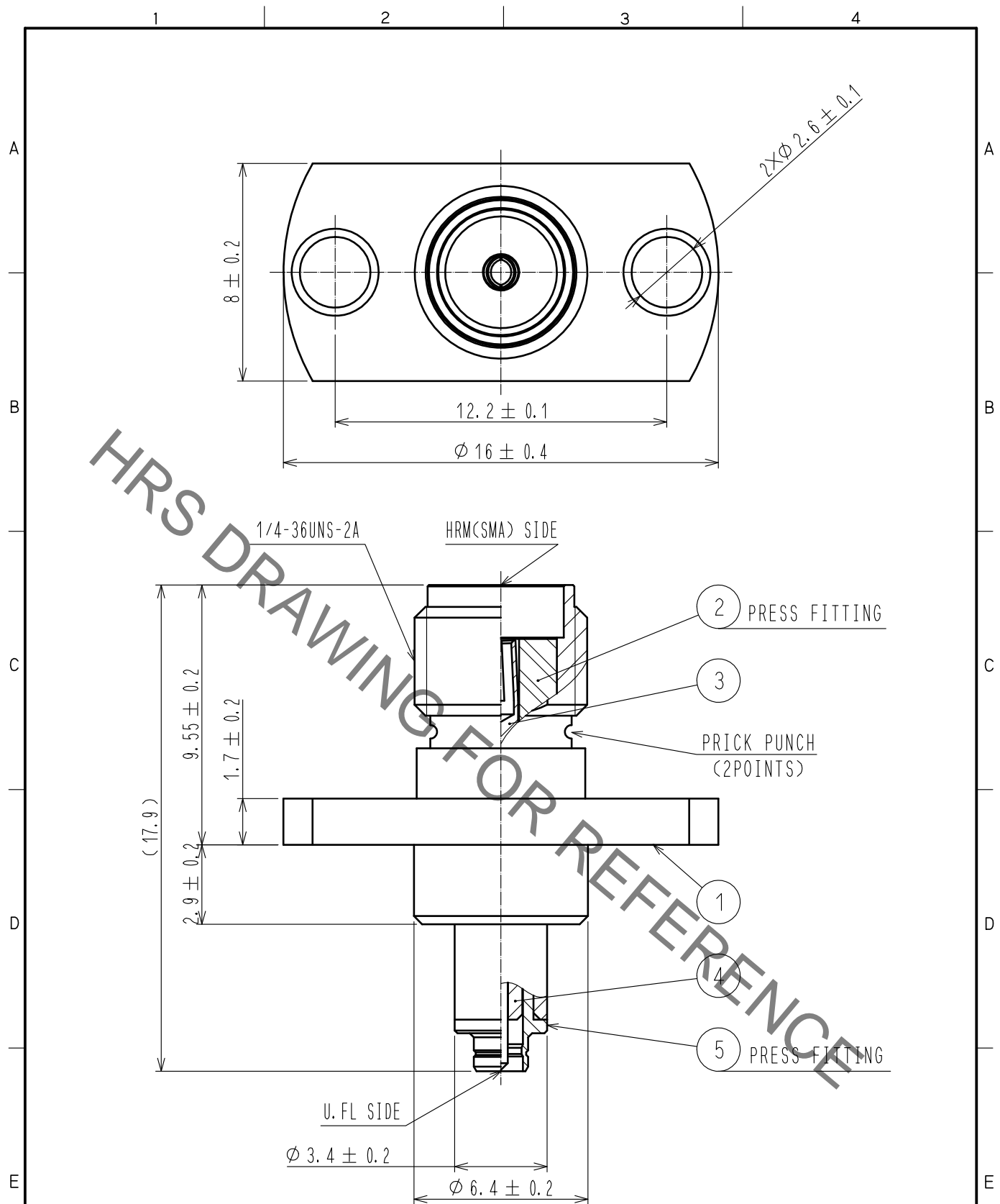


Jul.1.2019 Copyright 2019 HIROSE ELECTRIC CO., LTD. All Rights Reserved.
 In case of consideration for using Automotive equipment / device which demand high reliability, kindly contact our sales window correspondents.



RoHS COMPLIANT

3	BERYLLIUM COPPER	GOLD PLATING					
2	PTFE		5	BRASS	NICKEL PLATING		
1	BRASS	NICKEL PLATING	4	PTFE			
NO.	MATERIAL	FINISH .	REMARKS	NO.	MATERIAL	FINISH .	REMARKS

UNITS mm		SCALE 5 : 1	COUNT 	DESCRIPTION OF REVISIONS	DESIGNED	CHECKED	DATE
HIROSE ELECTRIC CO., LTD.				APPROVED : KY. SHIMIZU 16.08.23 CHECKED : TO. KATAYAMA 16.08.23 DESIGNED : RO. YOKOYAMA 16.08.22 DRAWN : RO. YOKOYAMA 16.08.22	DRAWING NO. EDC-349749-00-00 PART NO. HRMJ-U. FLJ-PA2 CODE NO. CL311-0467-8-00		