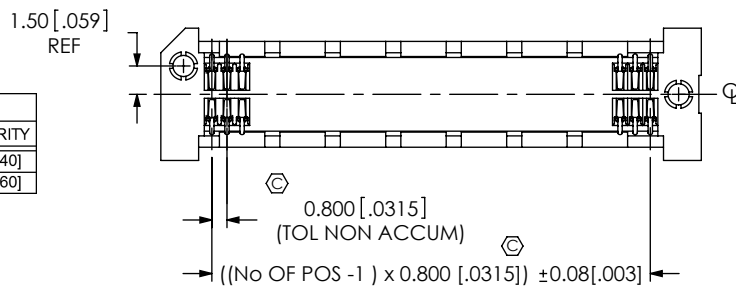
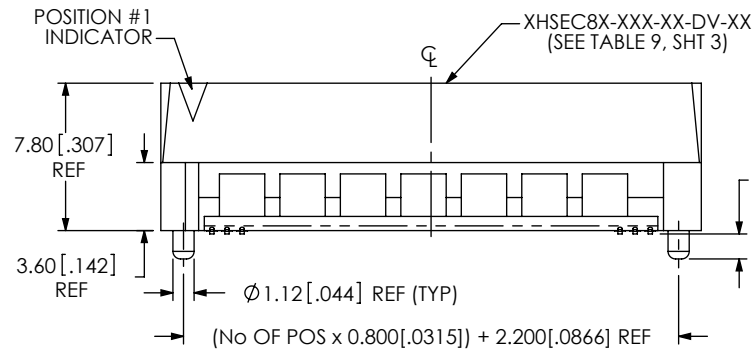
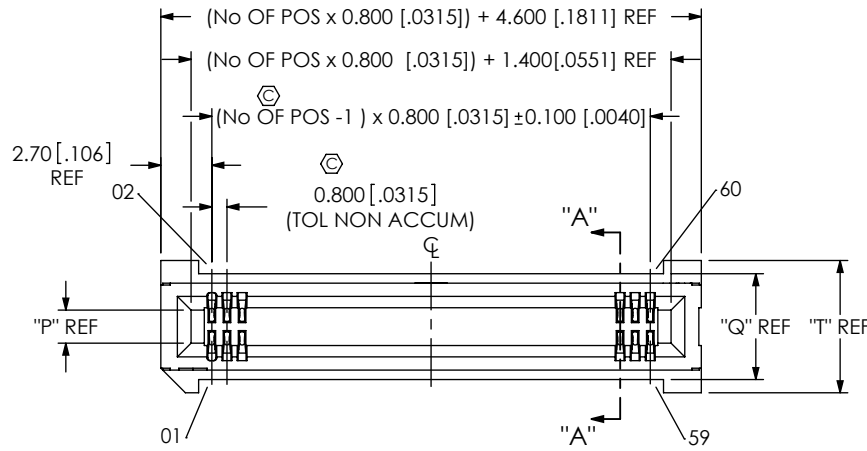


DO NOT SCALE FROM THIS PRINT

**DESIGNED & DIMENSIONED IN MILLIMETERS (INCHES FOR REFERENCE ONLY)**

**HSEC8-1XXX-XX-XX-DV-X-XX**



No OF POS	COPLANARITY
-10 THRU -60	0.102 [.0040]
-70 THRU -100	0.152 [.0060]

FIG 1 FOR POSITIONS -T0, -20 & -30 HSEC8-130-01-XX-DV-A SHOWN (SOME FEATURES NOT SHOWN FOR CLARITY)

No OF POSITIONS  
 -10, -20, -30 (PER ROW, SEE FIG 1)  
 -09, -13, -25, -37, -49, -40, -50, -60, -70, -80, -90, -100 (PER ROW, SEE FIG 2, SHT 2)

CARD THICKNESS (SEE TABLE 9, SHT 3)  
 -01: 1.57 [.062] CARD  
 \*\*\*-02: 2.00 [.079] CARD (10-60 POS, MULTIPLES OF 10 ONLY) (-K & -TR ONLY FOR OPTION 2) (USE HSEC8A-XXX-02-DV-XX)  
 \*\*\*-03: 2.36 [.093] CARD (10-60 POS, MULTIPLES OF 10 ONLY) (-K & -TR ONLY FOR OPTION 2) (USE HSEC8A-XXX-03-DV-XX) (SEE NOTE 7 & 10)

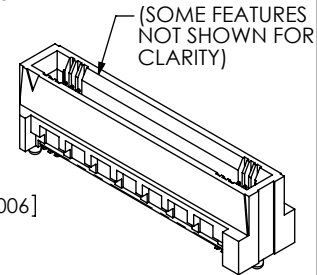
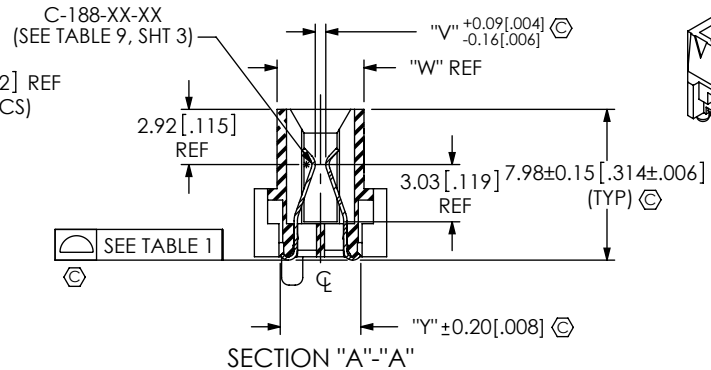
PLATING SPECIFICATION  
 -SM: 30µ" SELECTIVE GOLD IN CONTACT AREA, MATTE TIN ON TAIL  
 -H: 30µ" HEAVY GOLD IN CONTACT AREA, 3µ" GOLD TAIL  
 -S: 30µ" SELECTIVE GOLD IN CONTACT AREA, MATTE TIN ON TAIL  
 -L: 10µ" LIGHT SELECTIVE GOLD IN CONTACT AREA, MATTE TIN ON TAIL

ROW SPECIFICATION

\*\* = AVAILABLE ONLY WITH -01 CARD THICKNESS  
 \*\*\* = FOR EXISTING CUSTOMER ONLY

OPTION 2  
 \*\*-PE: PASS THROUGH (SHT 7, FIG 7) (10, 13, & 20 POS ONLY) (-A OPTION ONLY) (NOT AVAILABLE WITH ANY OTHER OPTION 2, EXCEPT -K AND/OR -TR)  
 \*\*-BL: BOARD LOCK (SHT 5, FIG 5) (SEE NOTE 11)  
 \*\*-GR: GUIDE RAILS (SHT 6, FIG 6) (10-60 POS, MULTIPLES OF 10 ONLY) (-TR PACKAGING ONLY)  
 \*\*-WT: WELD TAB (SHT 7, FIG 8) (-A OPTION ONLY)  
 \*\*-L: LATCHING (SHT 4, FIG 4) (13, 25, 37, & 49 POS ONLY) (SEE NOTE 11)  
 \*\*-L2: ECDP LATCHING (SHT 8, FIG 9) (09, 13, 25, & 49 POS ONLY) (SEE NOTE 11)  
 -K: POLYIMIDE FILM PAD (SEE SHT 2, FIG 3)  
 -TR: TAPE & REEL (09 THRU 70 POS ONLY) (LEAVE BLANK FOR TRAY)

OPTION 1  
 -A: ALIGNMENT PIN (USE XHSEC8X-XXX-XX-DV-A) (LEAVE BLANK FOR NO ALIGNMENT PIN, USE XHSEC8-XXX-01-DV-LC, NOT AVAILABLE FOR CARD THICKNESS -02, -03, OR -04, SEE FIG 10, SHT 3)



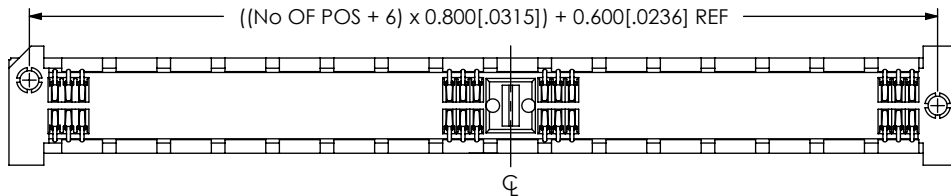
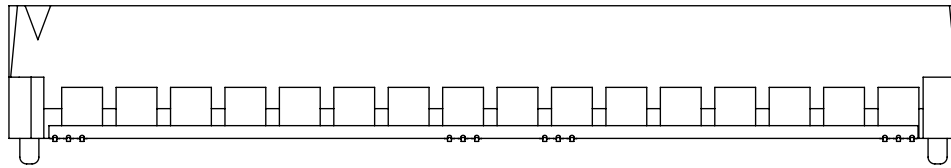
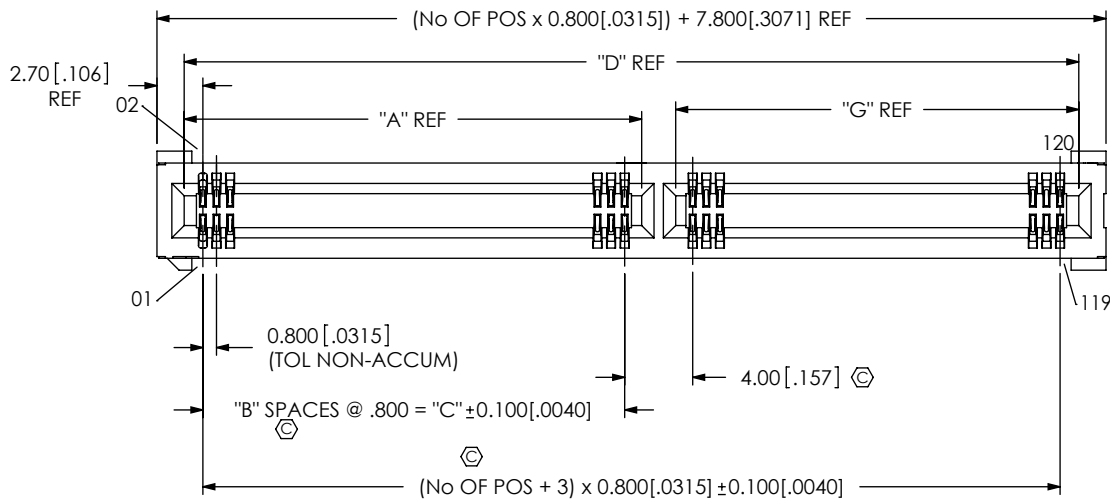
CARD THICKNESS	No OF POSITIONS	"P"	"Q"	"T"	"V"	"W"	"Y"
-01	-09 THRU -37 EXCEPT -13, -20, & -25	1.75 [.070]	5.60 [.220]	7.00 [.280]	0.56 [.022]	4.60 [.180]	4.26 [.168]
	-09 THRU -100 WITH END OPTIONS					4.60 [.180]	
	-13, -20, -25, -40 THRU -100					5.60 [.220]	
-02	ALL APPLICABLE	2.18 [.086]	6.03 [.237]	7.43 [.293]	0.99 [.039]	5.03 [.198]	4.69 [.185]
-03	ALL APPLICABLE	2.54 [.100]	6.39 [.252]	7.79 [.307]	1.35 [.053]	5.39 [.212]	5.05 [.199]

NOTES:

- ⊙ REPRESENTS A CRITICAL DIMENSION.
- BURR ALLOWANCE: 0.04 [.0015] MAX.
- MINIMUM PUSHOUT FORCE: 2.2 NEWTONS.
- ALL TAIL TO TAIL DIMENSIONS MEASURED TIP TO TIP.
- ASSEMBLIES TO BE PACKAGED IN TRAYS, UNLESS -TR IS SPECIFIED.
- NOTE DELETED.
- MATING EDGE CARD THICKNESS TOLERANCE TO BE ±10% OF NOMINAL.
- NOTE DELETED.
- NOTE DELETED.
- NOTE DELETED.
- MATING CARD MUST HAVE LEAD-IN. SEE SAMTEC FOOTPRINT FOR SPECIFICATIONS.
- L, L2, & BL IS NOT APPLICABLE FOR GUIDE RAIL TYPE USE. GR NOT APPLICABLE FOR L, L2, OR BL TYPE USE.

F:\DWG\MISC\MKTG\HSEC8-1XXX-XX-XX-DV-X-XX-MKT.SLDDRW

UNLESS OTHERWISE SPECIFIED, DIMENSIONS ARE IN MILLIMETERS. TOLERANCES ARE: DECIMALS ANGLES .X: ± .3 [.01] .XX: ± .13 [.005] .XXX: ± .05 [.0020]	PROPRIETARY NOTE THIS DOCUMENT CONTAINS INFORMATION CONFIDENTIAL AND PROPRIETARY TO SAMTEC, INC. AND SHALL NOT BE REPRODUCED OR TRANSFERRED TO OTHER DOCUMENTS OR DISCLOSED TO OTHERS OR USED FOR ANY PURPOSE OTHER THAN THAT WHICH IT WAS OBTAINED WITHOUT THE EXPRESSED WRITTEN CONSENT OF SAMTEC, INC.		
		520 PARK EAST BLVD, NEW ALBANY, IN 47150 PHONE: 812-944-6733 FAX: 812-948-5047 e-Mail: info@SAMTEC.com code: 55322	
MATERIAL: DO NOT SCALE DRAWING SHEET SCALE: 2.5:1 INSULATOR: LCP COLOR: -01 CARD THICKNESS BLACK, -02 THRU -04 CARD THICKNESS NATURAL CONTACT: BeCu		DESCRIPTION: 0.8mm HIGH SPEED EDGE CARD ASSEMBLY DWG. NO. <b>HSEC8-1XXX-XX-XX-DV-X-XX</b> BY: BRATCHER 01/24/03 SHEET 1 OF 8	

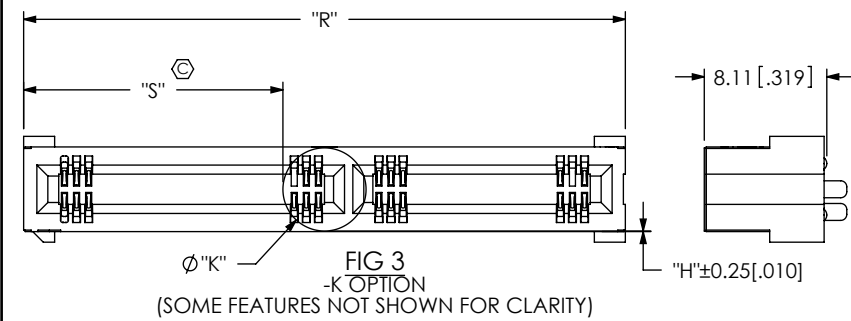


**TABLE 2**

No OF POS	"A"	"B"	"C"	"D"	"G"
**-.13	6.10[.240]	5	4.000[.1575]	15.00[.591]	6.90 [.272]
**-.25	6.10[.240]	5	4.000[.1575]	24.60[.969]	16.50 [.650]
**-.37	18.10[.713]	20	16.000[.6299]	34.20[1.346]	14.10 [.555]
-40	18.90[.744]	21	16.800[.6614]	36.60[1.441]	15.70 [.618]
**-.49	22.90[.902]	26	20.800[.8189]	43.80[1.724]	18.90 [.744]
-50	22.90[.902]	26	20.800[.8189]	44.60[1.756]	19.70 [.776]
-60	26.90[1.059]	31	24.800[.9764]	52.60[2.071]	23.70 [.933]
**-.70	26.90[1.059]	31	24.800[.9764]	60.60[2.386]	31.70 [1.248]
**-.80	26.90[1.059]	31	24.800[.9764]	68.60[2.701]	39.70 [1.563]
**-.90	26.90[1.059]	31	24.800[.9764]	76.60[3.016]	47.70 [1.878]
**-.100	26.90[1.059]	31	24.800[.9764]	84.60[3.331]	55.70 [2.193]

\*\* = AVAILABLE ONLY WITH -01 CARD THICKNESS

**FIG 2**  
FOR POSITIONS \*\*-.13, \*\*-.25, \*\*-.37, -40, \*\*-.49, -50, -60, \*\*-.70, \*\*-.80, \*\*-.90, \*\*-.100  
HSEC8-160-01-XX-DV-A SHOWN  
(DIFFERENT AS SHOWN, OTHERWISE SAME AS FIG 1)  
(SOME FEATURES NOT SHOWN FOR CLARITY)  
(\*\* = AVAILABLE ONLY WITH -01 CARD THICKNESS)



**FIG 3**  
-K OPTION  
(SOME FEATURES NOT SHOWN FOR CLARITY)

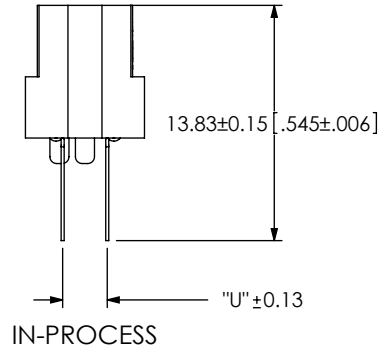
**TABLE 3**

OPTION 2	No OF POS	"R"	"S"
NONE	-10 THRU -30	(No OF POS x 0.800[.0315]) + 4.600[.1811] REF	(( "R" - "K" ) / 2) +/- 0.51[.020]
	-13, -25, -37, -40 THRU -100	(No OF POS x 0.800[.0315]) + 7.800[.3071] REF	
**-.WT	-10 THRU -30	(No OF POS x 0.800[.0315]) + 9.200[.3622] REF	
	-13, -25, -37, -40 THRU -100	(No OF POS x 0.800[.0315]) + 12.400[.4882] REF	
**-.L	-13, -25, -37, & -49	(No OF POS x 0.800[.0315]) + 18.400[.7244] REF	
**-.BL	-10 THRU -30	(No OF POS x 0.800[.0315]) + 15.850[.6240] REF	
	-13, -25, -37, -40 THRU -100	(No OF POS x 0.800[.0315]) + 19.050[.7500] REF	
**-.PE	-10, -13, & -20	(No OF POS x 0.800[.0315]) + 7.000[.2756] REF	
**-.GR	-10, -20, -30	(No OF POS x 0.800[.0315]) + 4.600[.1811] REF	
	-40, -50, -60	(No OF POS x 0.800[.0315]) + 7.800[.3071] REF	
**-.L2	-09, -13, -25, -49	(No OF POS x 0.800[.0315]) + 11.800[.4646] REF	

\*\* = AVAILABLE ONLY WITH -01 CARD THICKNESS

**TABLE 6**

CARD THICKNESS	No OF POS	KAPTON TYPE "K"	"U"	"H"
-01	-09 THRU -37	K-DOT-.217-.313-.005	2.61[.103]	0.45[.018]
	-40 THRU -100			-0.04[.002]
-02	ALL APPLICABLE	K-DOT-.217-.313-.005	3.04[.120]	0.24[.009]
-03	ALL APPLICABLE	K-DOT-.246-.375-.005	3.40[.134]	0.43[.017]



**PROPRIETARY NOTE**  
THIS DOCUMENT CONTAINS INFORMATION CONFIDENTIAL AND PROPRIETARY TO SAMTEC, INC. AND SHALL NOT BE REPRODUCED OR TRANSFERRED TO OTHER DOCUMENTS OR DISCLOSED TO OTHERS OR USED FOR ANY PURPOSE OTHER THAN THAT WHICH IT WAS OBTAINED WITHOUT THE EXPRESSED WRITTEN CONSENT OF SAMTEC, INC.

DO NOT SCALE DRAWING  
SHEET SCALE: 2.25:1



520 PARK EAST BLVD, NEW ALBANY, IN 47150  
PHONE: 812-944-6733 FAX: 812-948-5047  
e-Mail: info@SAMTEC.com code: 55322

DESCRIPTION:  
0.8mm HIGH SPEED EDGE CARD ASSEMBLY

DWG. NO.  
**HSEC8-1XXX-XX-XX-DV-X-XX**

BY: BRATCHER 01/24/03 SHEET 2 OF 8

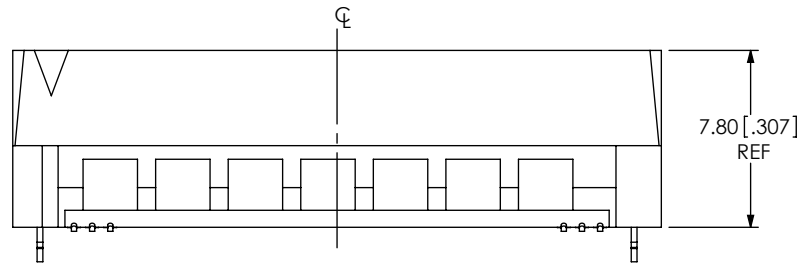


FIG 10  
 \*\*NON-ALIGNMENT PIN OPTION  
 HSEC8-130-01-XX-DV-LC SHOWN  
 (DIFFERENT AS SHOWN, OTHERWISE SAME AS FIG 1)  
 (\*\* = AVAILABLE ONLY WITH -01 CARD THICKNESS)  
 (SOME FEATURES NOT SHOWN FOR CLARITY)

TABLE 9

CARD	OPTION 2	POS	BODY	CONTACT
-01	-L	ALL APPLICABLE	HSEC8-XXX-01-DV-XX-L	C-188-01-X
	-L2	ALL APPLICABLE	HSEC8-XXX-01-DV-XX-L2	C-188-01-X
	-BL	ALL APPLICABLE	HSEC8-XXX-01-DV-XX-BL	C-188-01-X
	-GR	ALL APPLICABLE	HSEC8-XXX-01-DV-XX-GR	C-188-01-X
	-PE	ALL APPLICABLE	HSEC8-XXX-01-DV-A-PE	C-188-01-X
	-WT	ALL APPLICABLE	HSEC8-XXX-01-DV-A-WT	C-188-01-X
	NONE	09 THRU 37 EXCEPT -13, -20, & -25	HSEC8-XXX-01-DV-XX	C-188-01-X
		-13, -20, -25, -40 THRU -100	RHSEC8-XXX-01-DV-XX	C-188-02-X
-02	NONE	ALL APPLICABLE	HSEC8A-XXX-02-DV-A	C-188-01-X
-03	NONE	ALL APPLICABLE	HSEC8A-XXX-03-DV-A	C-188-01-X

PROPRIETARY NOTE

THIS DOCUMENT CONTAINS INFORMATION CONFIDENTIAL AND PROPRIETARY TO SAMTEC, INC. AND SHALL NOT BE REPRODUCED OR TRANSFERRED TO OTHER DOCUMENTS OR DISCLOSED TO OTHERS OR USED FOR ANY PURPOSE OTHER THAN THAT WHICH IT WAS OBTAINED WITHOUT THE EXPRESSED WRITTEN CONSENT OF SAMTEC, INC.

DO NOT SCALE DRAWING

SHEET SCALE: 2:1



520 PARK EAST BLVD, NEW ALBANY, IN 47150  
 PHONE: 812-944-6733 FAX: 812-948-5047  
 e-Mail info@SAMTEC.com code 55322

DESCRIPTION:  
 0.8mm HIGH SPEED EDGE CARD ASSEMBLY

DWG. NO.  
 HSEC8-1XXX-XX-XX-DV-X-XX

BY: BRATCHER 01/24/03 SHEET 3 OF 8

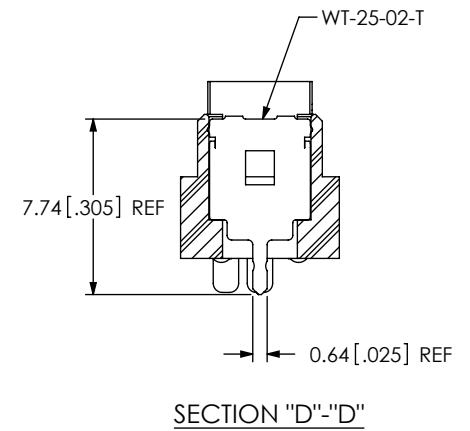
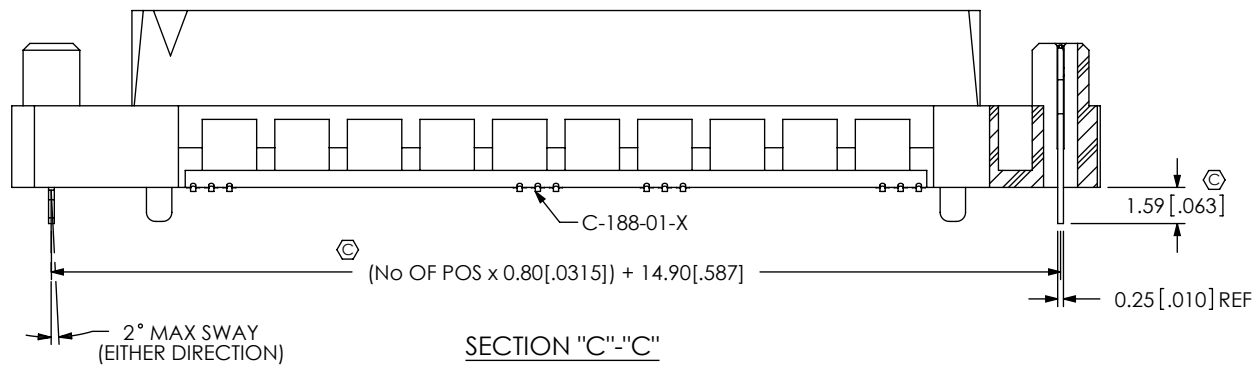
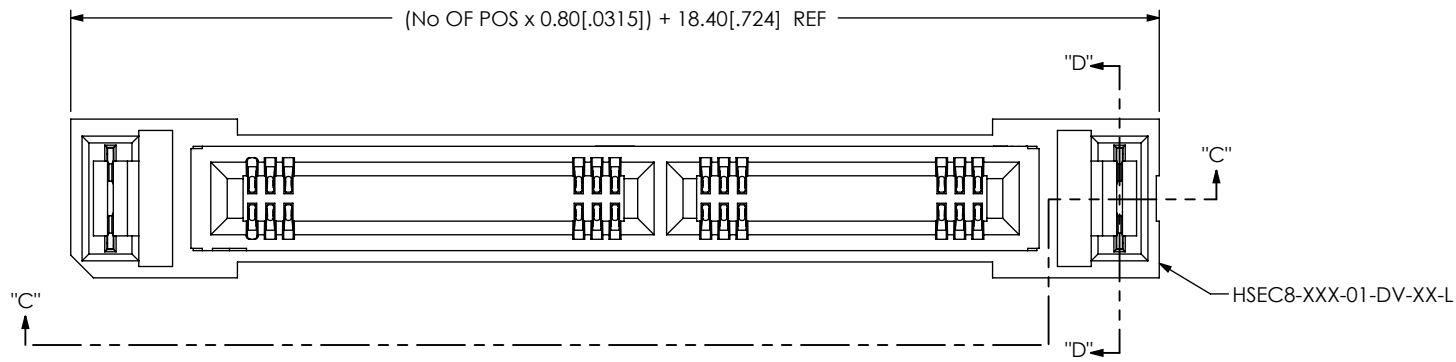
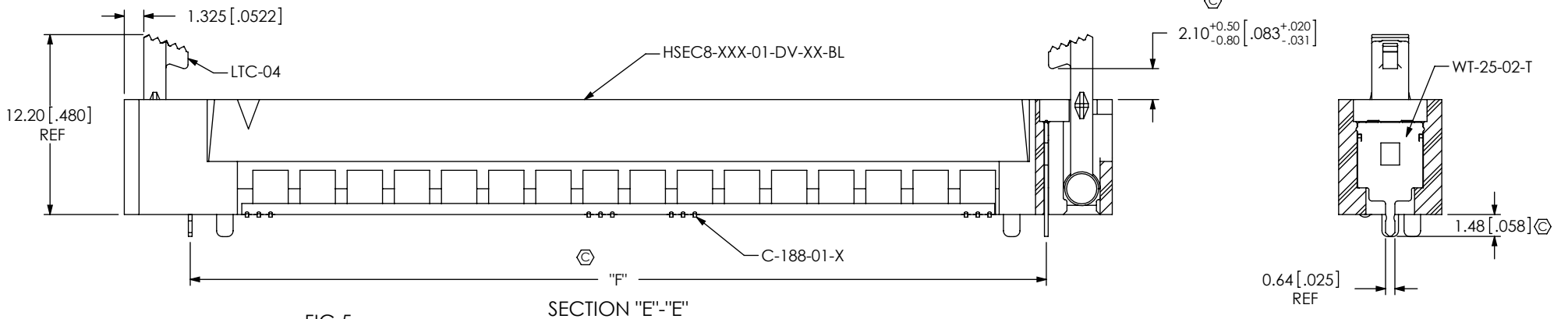
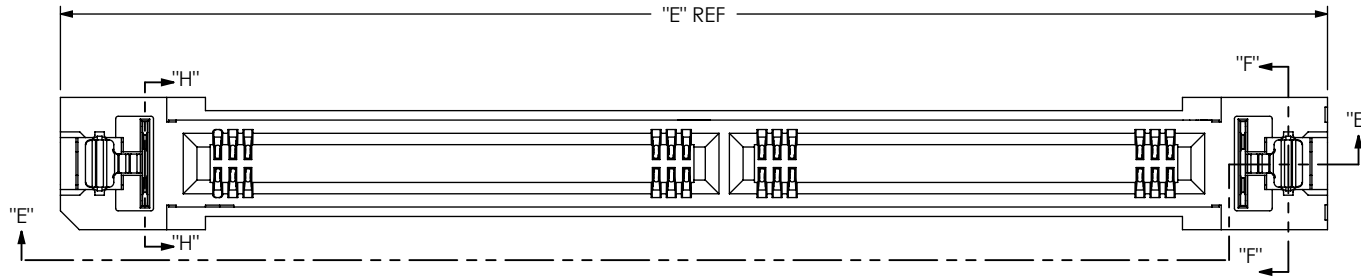
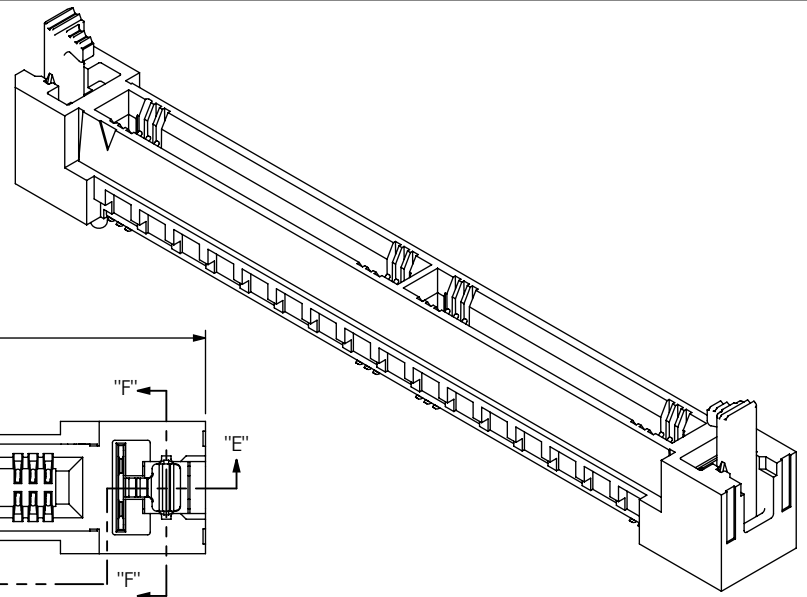
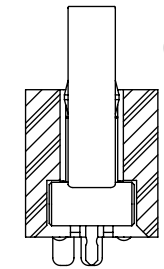


FIG 4  
 \*\*L: LATCHING OPTION  
 HSEC8-137-01-XX-DV-A-L SHOWN  
 AVAILABLE IN -13, -25, -37 & -49 POSITIONS ONLY  
 (NOT AVAILABLE FOR -GR TYPE USE)  
 (DIFFERENT AS SHOWN, OTHERWISE SAME AS FIG 2)  
 (SOME FEATURES NOT SHOWN FOR CLARITY)  
 (\*\* = AVAILABLE ONLY WITH -01 CARD THICKNESS)

<p>PROPRIETARY NOTE</p> <p>THIS DOCUMENT CONTAINS INFORMATION CONFIDENTIAL AND PROPRIETARY TO SAMTEC, INC. AND SHALL NOT BE REPRODUCED OR TRANSFERRED TO OTHER DOCUMENTS OR DISCLOSED TO OTHERS OR USED FOR ANY PURPOSE OTHER THAN THAT WHICH IT WAS OBTAINED WITHOUT THE EXPRESSED WRITTEN CONSENT OF SAMTEC, INC.</p> <p>DO NOT SCALE DRAWING</p> <p>SHEET SCALE: 3:1</p>		
	<p>520 PARK EAST BLVD, NEW ALBANY, IN 47150                  PHONE: 812-944-6733 FAX: 812-948-5047                  e-Mail: info@SAMTEC.com code: 55322</p>	
	<p>DESCRIPTION:                  0.8mm HIGH SPEED EDGE CARD ASSEMBLY</p>	
	<p>DWG. NO.  <b>HSEC8-1XXX-XX-XX-DV-X-XX</b></p>	
<p>BY: BRATCHER 01/24/03</p>		<p>SHEET 4 OF 8</p>



SECTION "H"-"H"



SECTION "F"-"F"

FIG 5

\*\*BL: BOARD LOCK OPTION  
HSEC8-160-01-XX-DV-A-BL SHOWN  
(NOT AVAILABLE FOR -GR TYPE USE)  
(DIFFERENT AS SHOWN, OTHERWISE SAME AS FIG 4)  
(\*\* = AVAILABLE ONLY WITH -01 CARD THICKNESS)  
(SOME FEATURES NOT SHOWN FOR CLARITY)

SECTION "E"-"E"

TABLE 4		
No OF POSITIONS	"E"	"F"
-10	23.85 [0.939]	14.90 [0.587]
**13	29.45 [1.159]	20.50 [0.807]
-20	31.85 [1.254]	22.90 [0.902]
**25	39.05 [1.537]	30.10 [1.185]
-30	39.85 [1.569]	30.90 [1.217]
**37	48.65 [1.915]	39.70 [1.563]
-40	51.05 [2.010]	42.10 [1.657]
**49	58.25 [2.293]	49.30 [1.941]
-50	59.05 [2.325]	50.10 [1.972]
-60	67.05 [2.640]	58.10 [2.287]
**70	75.05 [2.955]	66.10 [2.602]
**80	83.05 [3.270]	74.10 [2.917]
**90	91.05 [3.585]	82.10 [3.232]
**100	99.05 [3.900]	90.10 [3.547]

\*\* = AVAILABLE ONLY WITH -01 CARD THICKNESS

PROPRIETARY NOTE

THIS DOCUMENT CONTAINS INFORMATION CONFIDENTIAL AND PROPRIETARY TO SAMTEC, INC. AND SHALL NOT BE REPRODUCED OR TRANSFERRED TO OTHER DOCUMENTS OR DISCLOSED TO OTHERS OR USED FOR ANY PURPOSE OTHER THAN THAT WHICH IT WAS OBTAINED WITHOUT THE EXPRESSED WRITTEN CONSENT OF SAMTEC, INC.

DO NOT SCALE DRAWING

SHEET SCALE: 2.5:1



520 PARK EAST BLVD, NEW ALBANY, IN 47150  
PHONE: 812-944-6733 FAX: 812-948-5047  
e-Mail: info@SAMTEC.com code: 55322

DESCRIPTION:  
0.8mm HIGH SPEED EDGE CARD ASSEMBLY

DWG. NO.  
HSEC8-1XXX-XX-XX-DV-X-XX

BY: BRATCHER 01/24/03

SHEET 5 OF 8

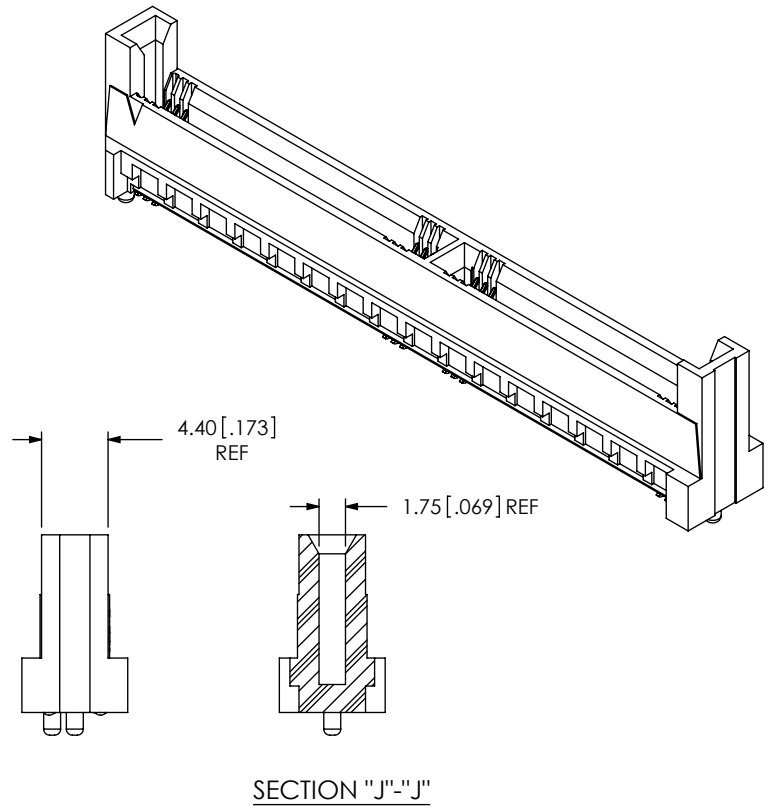
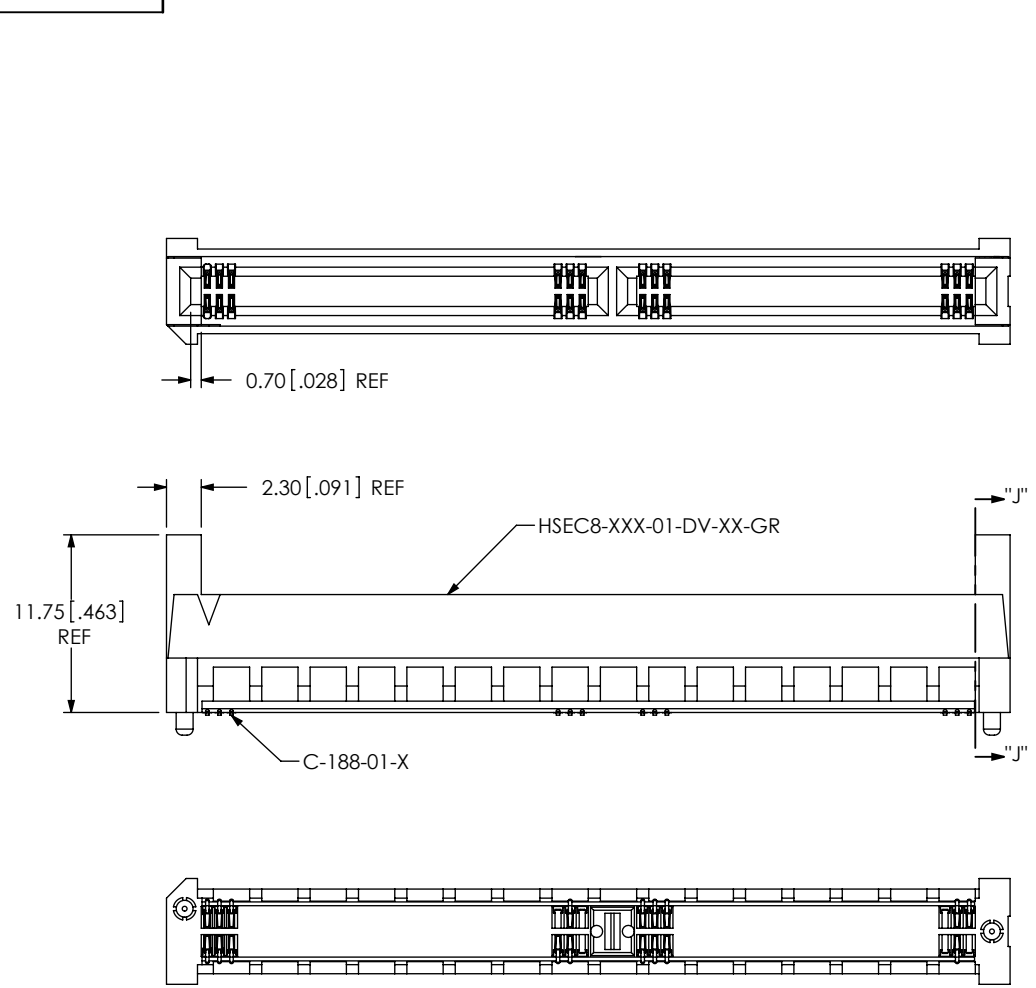

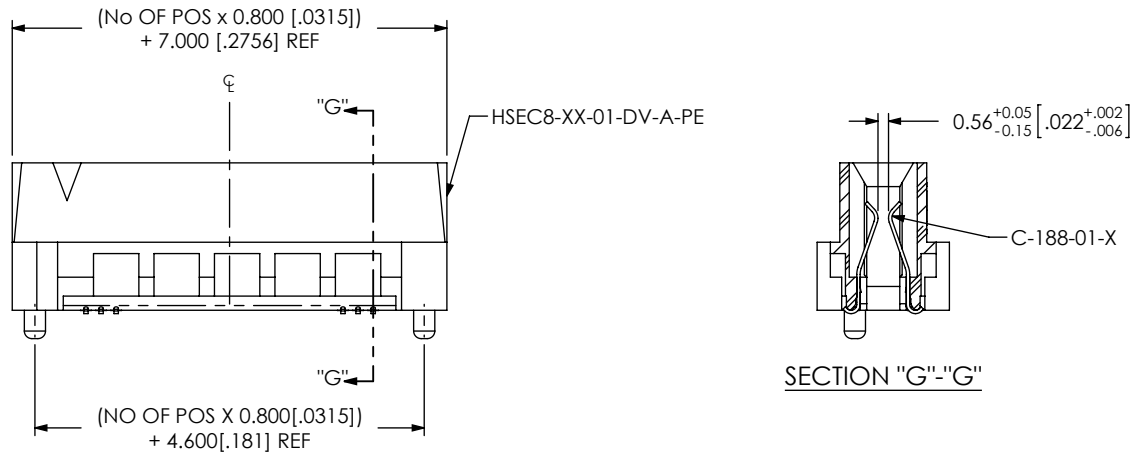
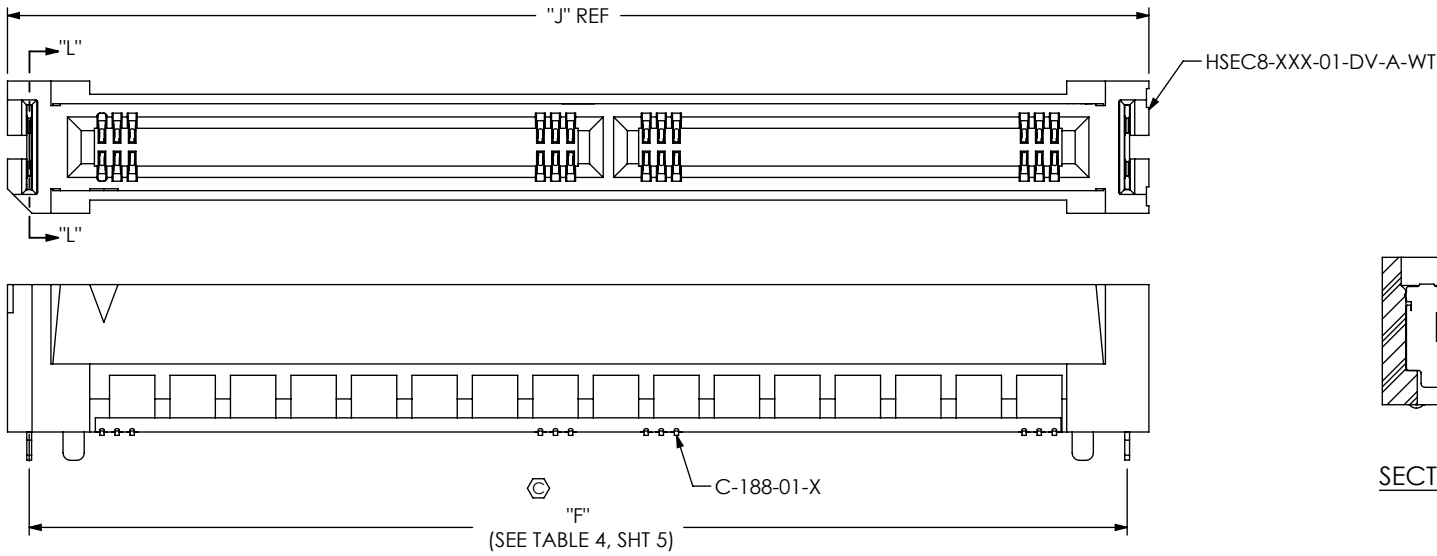


FIG 6  
 \*\*GR: GUIDE RAILS OPTION  
 HSEC8-160-01-XX-DV-A-GR SHOWN  
 AVAILABLE IN -10, -20, -30, -40, -50, & -60 POSITIONS ONLY  
 (NOT AVAILABLE FOR -L; -BL TYPE USE)  
 (DIFFERENT AS SHOWN, OTHERWISE SAME AS FIG 2)  
 (SOME FEATURES NOT SHOWN FOR CLARITY)  
 (\*\* = AVAILABLE ONLY WITH -01 CARD THICKNESS)

<p>PROPRIETARY NOTE</p> <p>THIS DOCUMENT CONTAINS INFORMATION CONFIDENTIAL AND PROPRIETARY TO SAMTEC, INC. AND SHALL NOT BE REPRODUCED OR TRANSFERRED TO OTHER DOCUMENTS OR DISCLOSED TO OTHERS OR USED FOR ANY PURPOSE OTHER THAN THAT WHICH IT WAS OBTAINED WITHOUT THE EXPRESSED WRITTEN CONSENT OF SAMTEC, INC.</p> <p>DO NOT SCALE DRAWING</p> <p>SHEET SCALE: 2:1</p>		
	<p>520 PARK EAST BLVD, NEW ALBANY, IN 47150                  PHONE: 812-944-6733 FAX: 812-948-5047                  e-Mail: info@SAMTEC.com code: 55322</p>	
	<p>DESCRIPTION:                  0.8mm HIGH SPEED EDGE CARD ASSEMBLY</p>	
	<p>DWG. NO.                  HSEC8-1XXX-XX-XX-DV-X-XX</p>	
	<p>BY: BRATCHER 01/24/03</p>	<p>SHEET 6 OF 8</p>



**FIG 7**  
 \*\* PE: PASS THROUGH OPTION  
 HSEC8-120-01-XX-DV-A-PE SHOWN  
 AVAILABLE IN -10, -13 & -20 POSITIONS ONLY  
 (DIFFERENT AS SHOWN, OTHERWISE SAME AS FIG 1)  
 (SOME FEATURES NOT SHOWN FOR CLARITY)  
 \*\* = AVAILABLE ONLY WITH -01 CARD THICKNESS



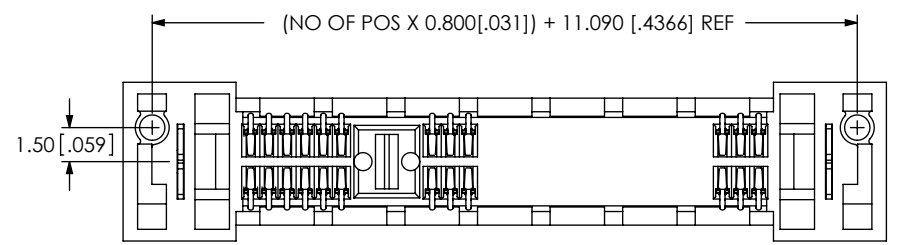
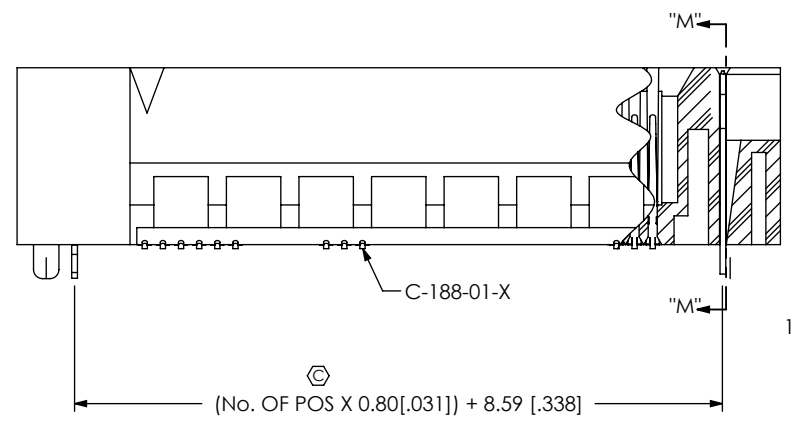
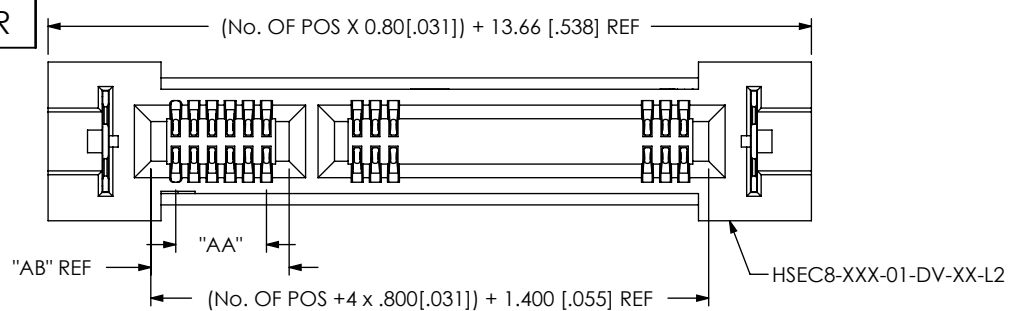
**FIG 8**  
 \*\* WT: WELD TAB OPTION  
 HSEC8-160-01-XX-DV-A-WT SHOWN  
 AVAILABLE IN ALL POSITIONS  
 (-A OPTION REQUIRED)  
 (DIFFERENT AS SHOWN, OTHERWISE SAME AS FIG 5)  
 (SOME FEATURES NOT SHOWN FOR CLARITY)  
 \*\* = AVAILABLE ONLY WITH -01 CARD THICKNESS

**TABLE 7**

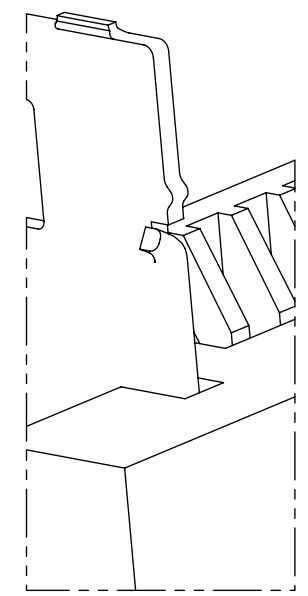
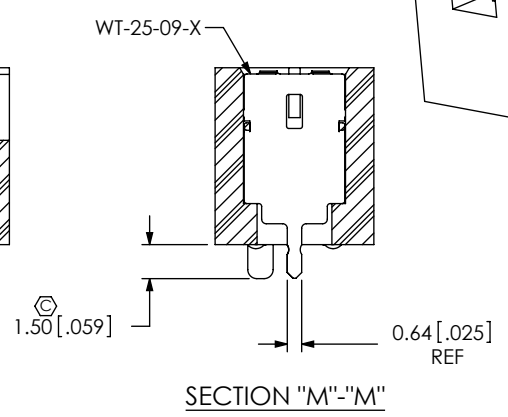
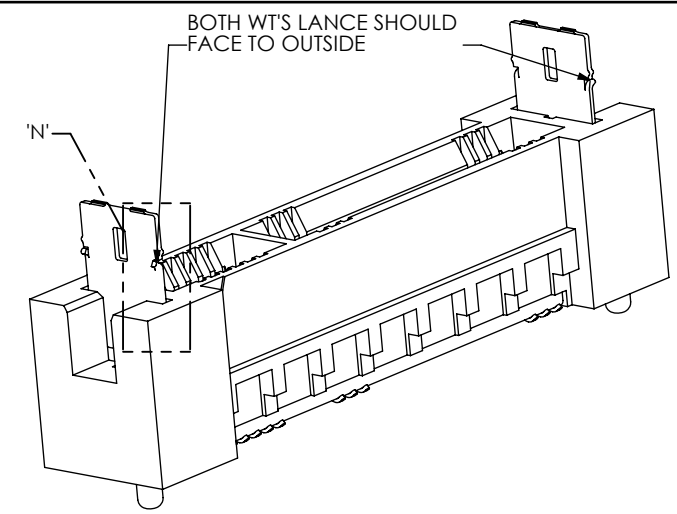
No OF POSITIONS	"J"
-10	17.20 [0.677]
**13	22.80 [0.898]
-20	25.20 [0.992]
**25	32.40 [1.276]
-30	33.20 [1.307]
**37	42.00 [1.654]
-40	44.40 [1.748]
**49	51.60 [2.031]
-50	52.40 [2.063]
-60	60.40 [2.378]
**70	68.40 [2.693]
**80	76.40 [3.008]
**90	84.40 [3.323]
**100	92.40 [3.638]

\*\* = AVAILABLE ONLY WITH -01 CARD THICKNESS

<p><b>PROPRIETARY NOTE</b>                  THIS DOCUMENT CONTAINS INFORMATION CONFIDENTIAL AND PROPRIETARY TO SAMTEC, INC. AND SHALL NOT BE REPRODUCED OR TRANSFERRED TO OTHER DOCUMENTS OR DISCLOSED TO OTHERS OR USED FOR ANY PURPOSE OTHER THAN THAT WHICH IT WAS OBTAINED WITHOUT THE EXPRESSED WRITTEN CONSENT OF SAMTEC, INC.</p> <p>DO NOT SCALE DRAWING</p> <p>SHEET SCALE: 2.5:1</p>		
	<p>520 PARK EAST BLVD. NEW ALBANY, IN 47150                  PHONE: 812-944-6733 FAX: 812-948-5047                  e-Mail info@SAMTEC.com code 55322</p>	
	<p>DESCRIPTION:                  0.8mm HIGH SPEED EDGE CARD ASSEMBLY</p>	
	<p>DWG. NO.  <b>HSEC8-1XXX-XX-XX-DV-X-XX</b></p>	
	<p>BY: BRATCHER 01/24/03</p>	<p>SHEET 7 OF 8</p>



**FIG 9**  
 \*\*L2: ECDP LATCHING OPTION  
 HSEC8-125-01-XX-DV-A-L2 SHOWN  
 (AVAILABLE IN 9, 13, 25, & 49 POS ONLY)  
 (NOT AVAILABLE FOR -GR TYPE USE)  
 (DIFFERENT AS SHOWN, OTHERWISE SAME AS FIG 4)  
 (SOME FEATURES NOT SHOWN FOR CLARITY)  
 (\*\* = AVAILABLE ONLY WITH -01 CARD THICKNESS)



SCALE 12:1

**TABLE 8**

No OF POSITIONS	"AA"	"AB"
-09	2.400 [0.0945]	4.500 [0.1772]
-13	4.000 [0.1575]	6.100 [0.2402]
-25	4.000 [0.1575]	6.100 [0.2402]
-49	20.800 [0.8189]	22.900 [0.9016]

F:\DWG\MISC\MKTG\HSEC8-1XXX-XX-XX-DV-X-XX-MKT.SLDDRW

**PROPRIETARY NOTE**  
 THIS DOCUMENT CONTAINS INFORMATION CONFIDENTIAL AND PROPRIETARY TO SAMTEC, INC. AND SHALL NOT BE REPRODUCED OR TRANSFERRED TO OTHER DOCUMENTS OR DISCLOSED TO OTHERS OR USED FOR ANY PURPOSE OTHER THAN THAT WHICH IT WAS OBTAINED WITHOUT THE EXPRESSED WRITTEN CONSENT OF SAMTEC, INC.

DO NOT SCALE DRAWING

SHEET SCALE: 3:1

520 PARK EAST BLVD, NEW ALBANY, IN 47150  
 PHONE: 812-944-6733 FAX: 812-948-5047  
 e-Mail info@SAMTEC.com code 55322

DESCRIPTION:  
 0.8mm HIGH SPEED EDGE CARD ASSEMBLY

DWG. NO.  
**HSEC8-1XXX-XX-XX-DV-X-XX**

BY: BRATCHER 01/24/03 SHEET 8 OF 8