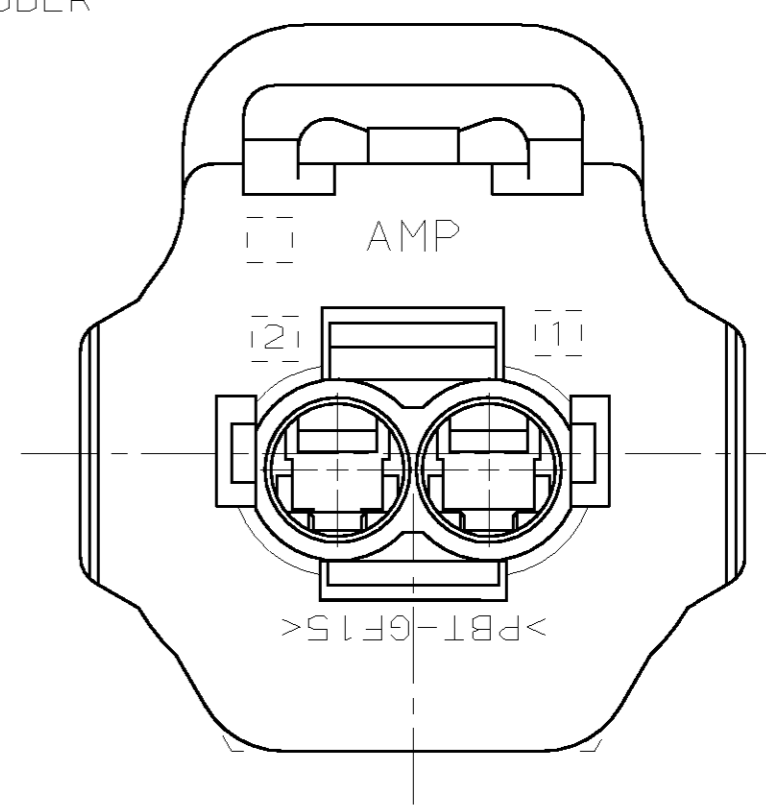
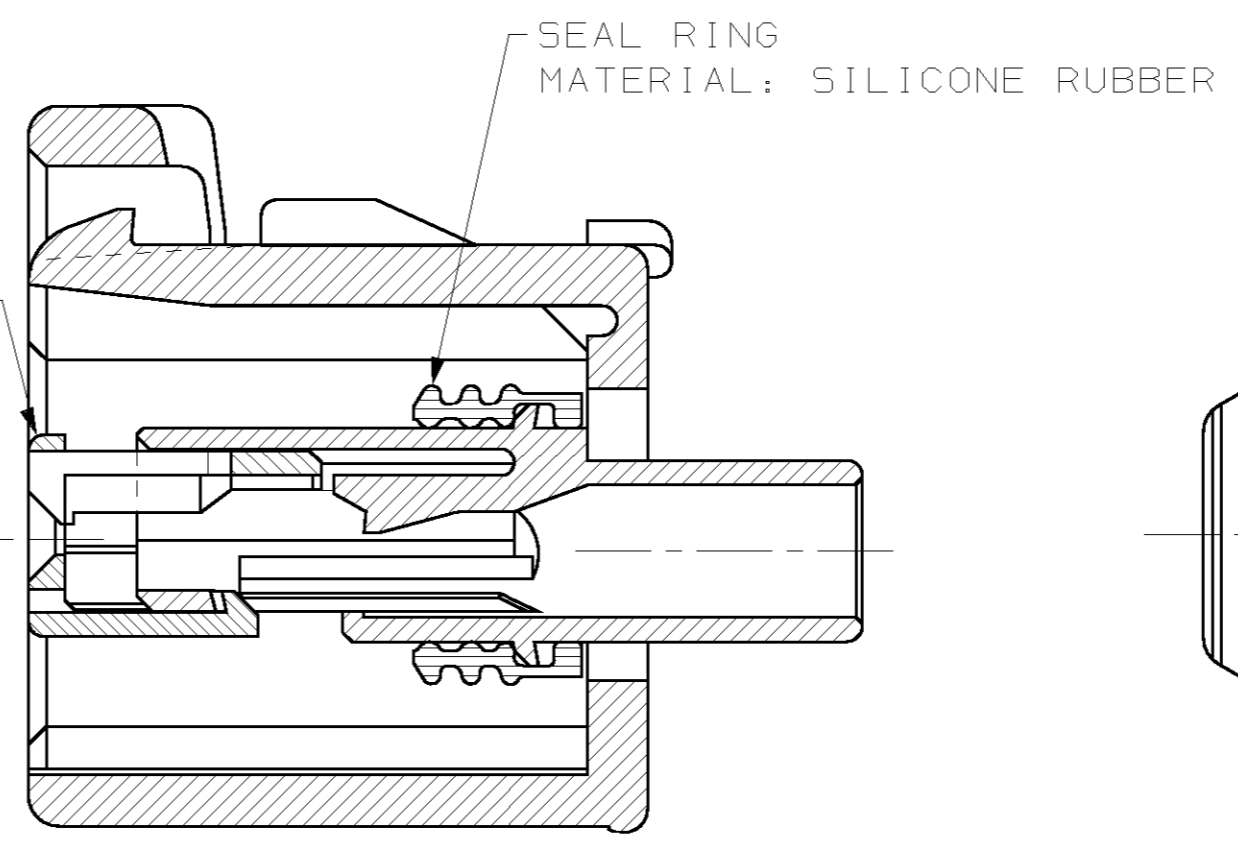
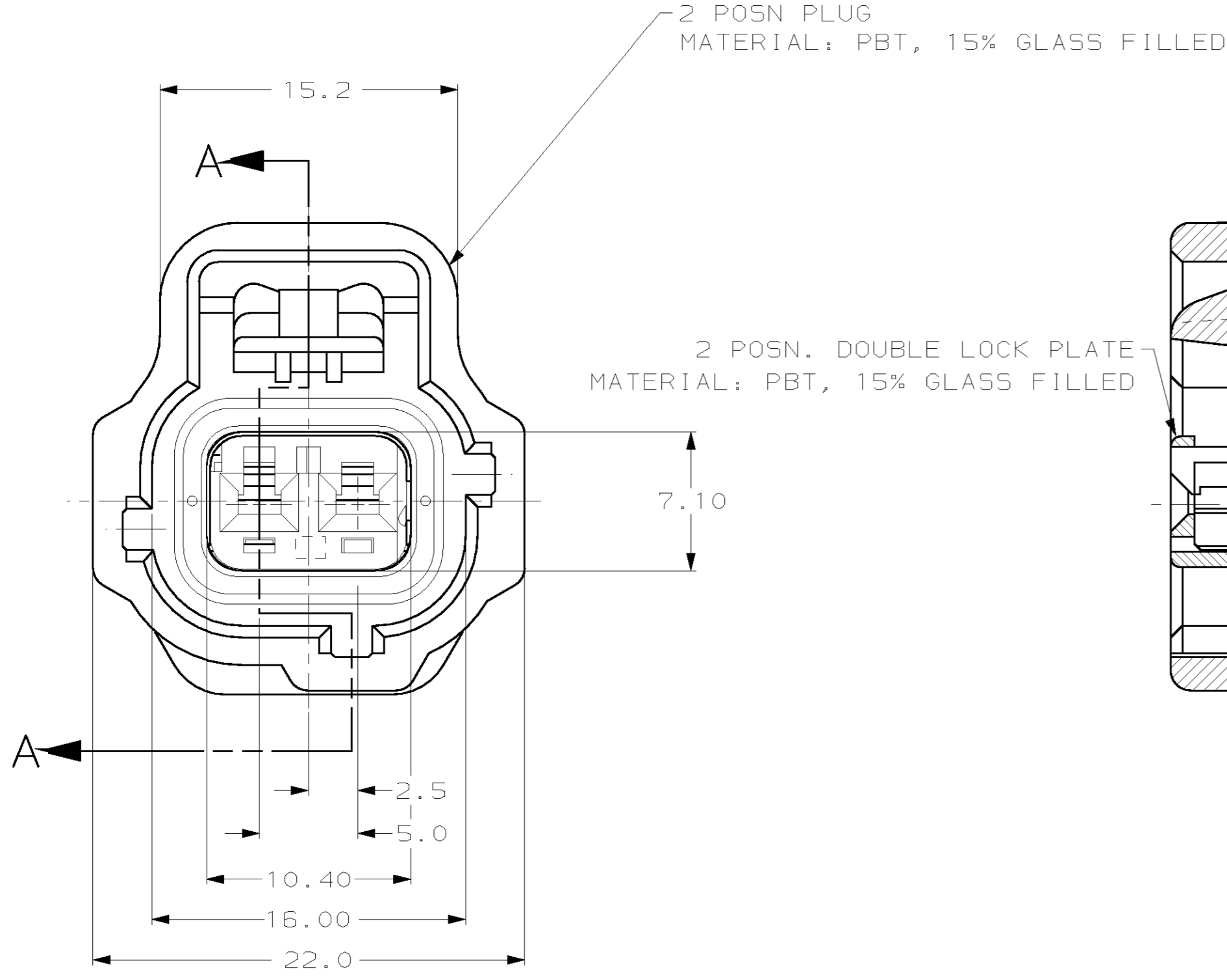
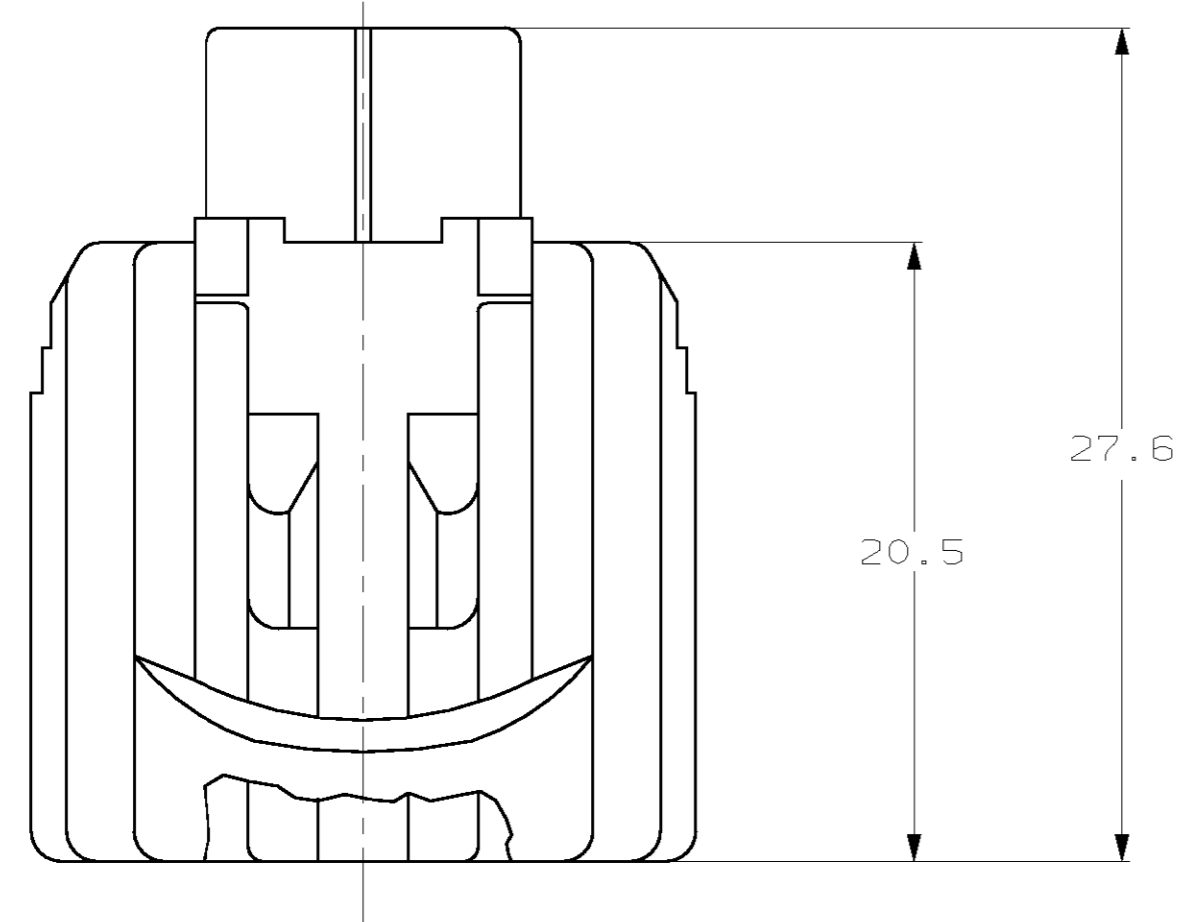


THIS DRAWING IS UNPUBLISHED. RELEASED FOR PUBLICATION .19
 © COPYRIGHT 19 BY AMP INCORPORATED. ALL RIGHTS RESERVED.

LOC	DIST	REVISIONS			
P	LTR	DESCRIPTION	DATE	DWN	APVD
G	16	0	RELEASED, WAS 92-4072-2313-6	-	-
		A	REV PER ECN 0720-0290-94	10/14/94	KDL JPK
		B	REV PER ECN 0720-0446-94	12/16/94	KW JK
		C	REV PER ECN 0K50-0003-96	08/13/96	KW JK
		D	REV PER EC# 0K40-0140-00	6-28-00	PC GI



SECTION A-A

KEYING TYPE F

DIMENSIONS:		TOLERANCES UNLESS OTHERWISE SPECIFIED:	
mm		0 PLC	±
		1 PLC	±0.30
		2 PLC	±0.15
		3 PLC	±
		4 PLC	±
		ANGLES	±1°
		FINISH	-

DWN	KD LYTLE	3/25/94
CHK	JP KUNKLE	4/19/94
APVD	-	-
PRODUCT SPEC	-	-
APPLICATION SPEC	-	-
WEIGHT	-	-
CUSTOMER DRAWING		

BLACK	184010-1
PLUG COLOR	PART NO
AMP AMP Incorporated Harrisburg, PA 17105-3608	
1 X 2 PLG ASY KEY F-C3	
SIZE	CAGE CODE
A2	00779
DRAWING NO	C=184010
SCALE	SHEET
4:1	1 OF 1
REV	D

184010