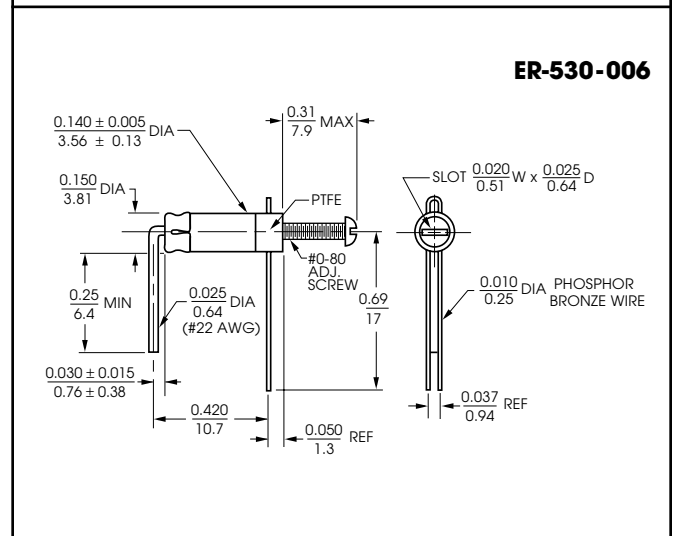
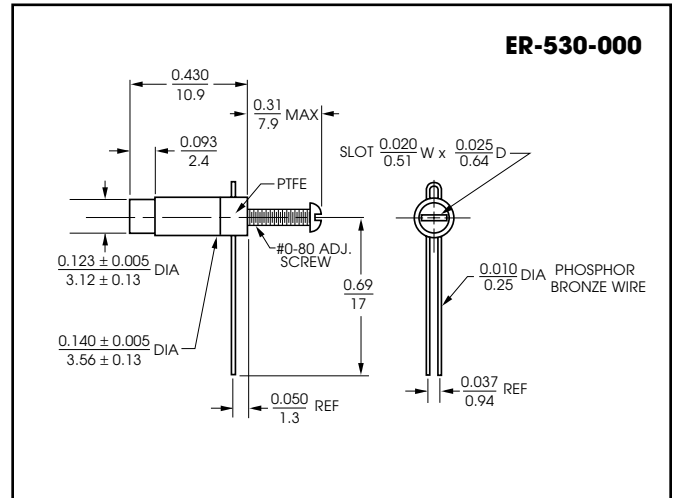
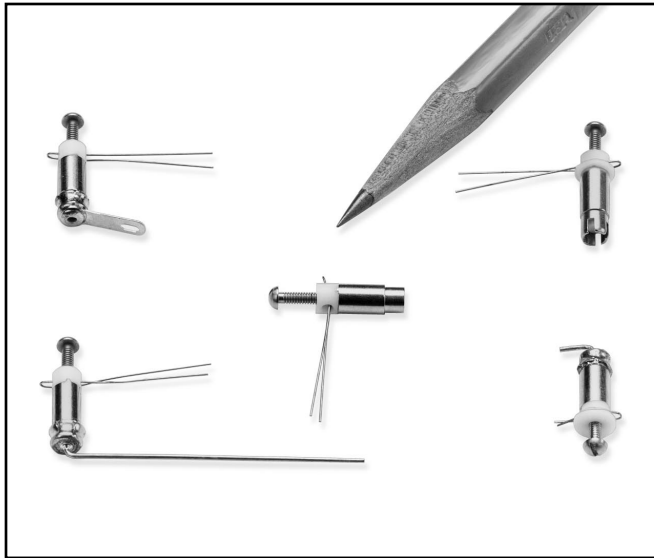


## MULTITURN PTFE DIELECTRIC TRIMMER CAPACITORS



### FEATURES

These trimmer capacitors combine the outstanding electrical properties of PTFE with nonferrous metal parts to provide:

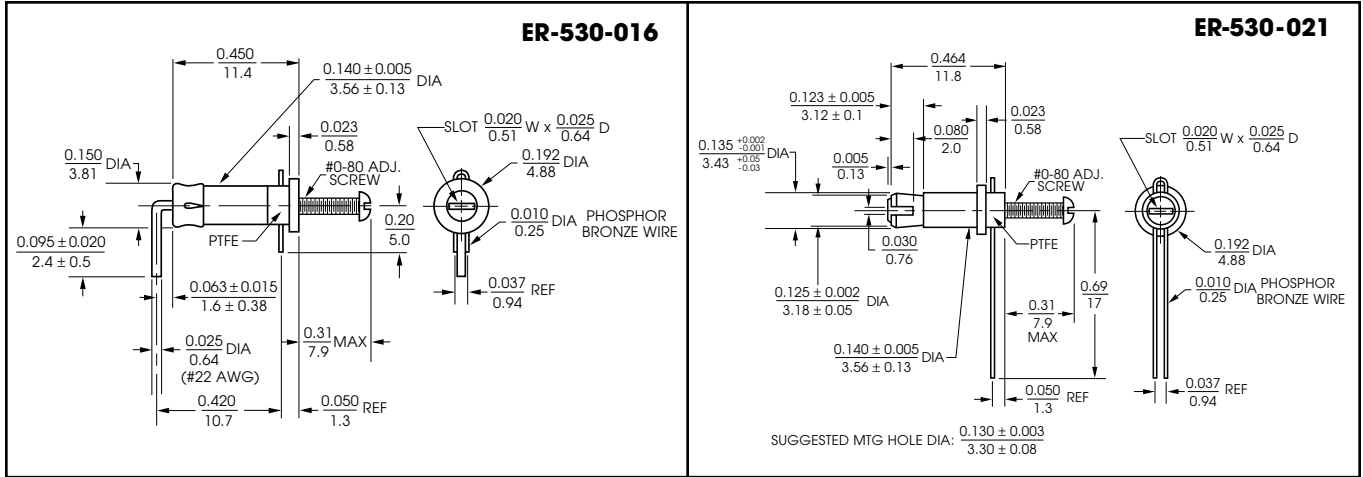
- High Q
- High DWV
- High IR
- Excellent Conductivity
- Corrosion Resistance
- Low  $\Delta C$ /Turn Ratio
- Excellent Stability

### SPECIFICATIONS

|  |                                     |
|--|-------------------------------------|
| Capacitance Range .....                  | 0.25 to 1.5 pF                      |
| Rated Voltage at 25°C:                   |                                     |
| ER-530-000, -006, -016 .....             | 1250 VDC                            |
| ER-530-021 .....                         | 1700 VDC                            |
| Dielectric Withstanding Voltage at 25°C: |                                     |
| ER-530-000, -006, -016 .....             | 2500 VDC                            |
| ER-530-021 .....                         | 3400 VDC                            |
| Operating Temperature Range .....        | -55° to +125°C                      |
| Q min at 1 MHz .....                     | 2000                                |
| Insulation Resistance .....              | 1 teraohm at 25°C                   |
| TCC .....                                | 50 ± 50 ppm/°C                      |
| Torque .....                             | 0.2 to 3.0 oz-in (14.4 to 216 g-cm) |

All dimensions are in / mm.

Tolerance is ± 0.005/0.13 for dimensions of 0.110/2.79 or less, and ± 0.031/0.79 for dimensions greater than 0.110/2.79, unless otherwise specified.



All dimensions are in /mm.

Tolerance is  $\pm 0.005/0.13$  for dimensions of  $0.110/2.79$  or less, and  $\pm 0.031/0.79$  for dimensions greater than  $0.110/2.79$ , unless otherwise specified.

