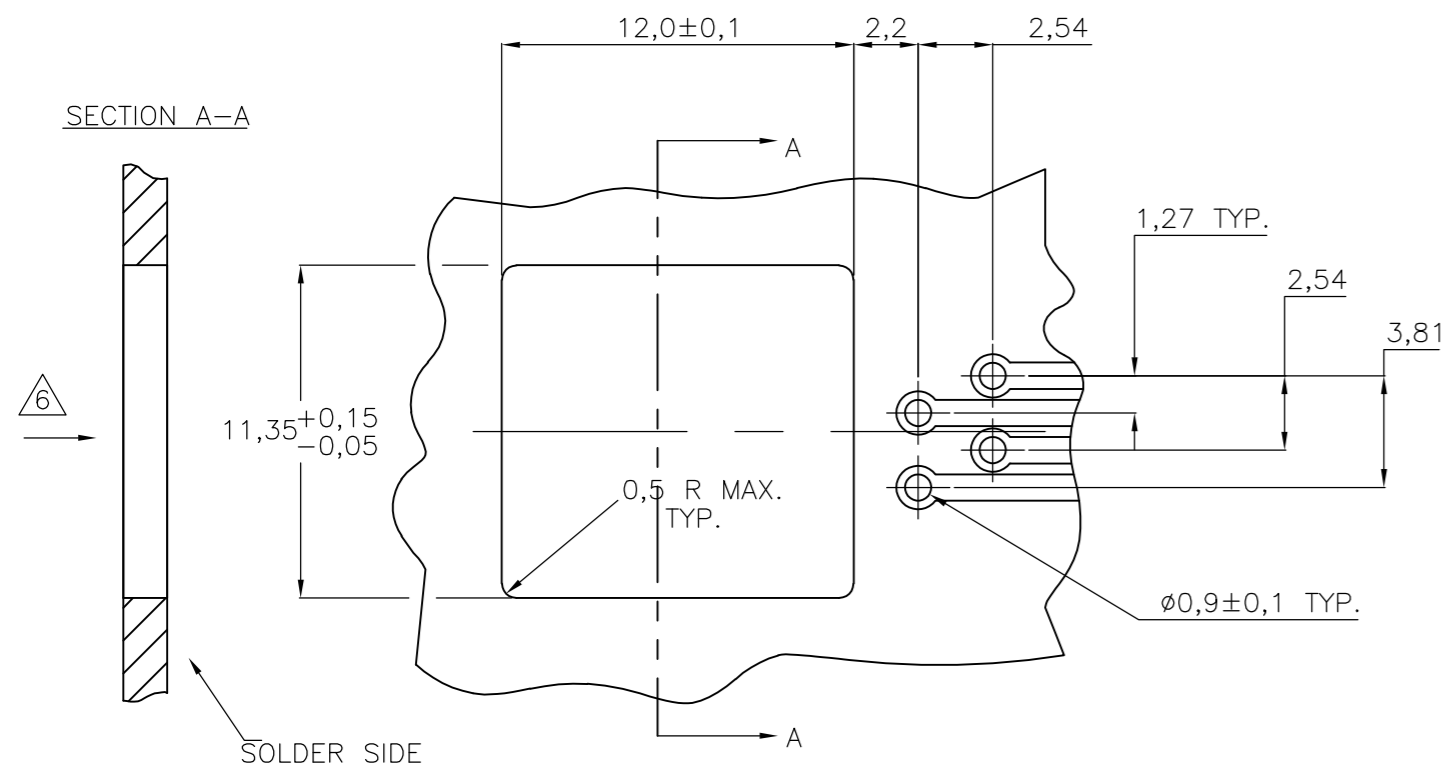
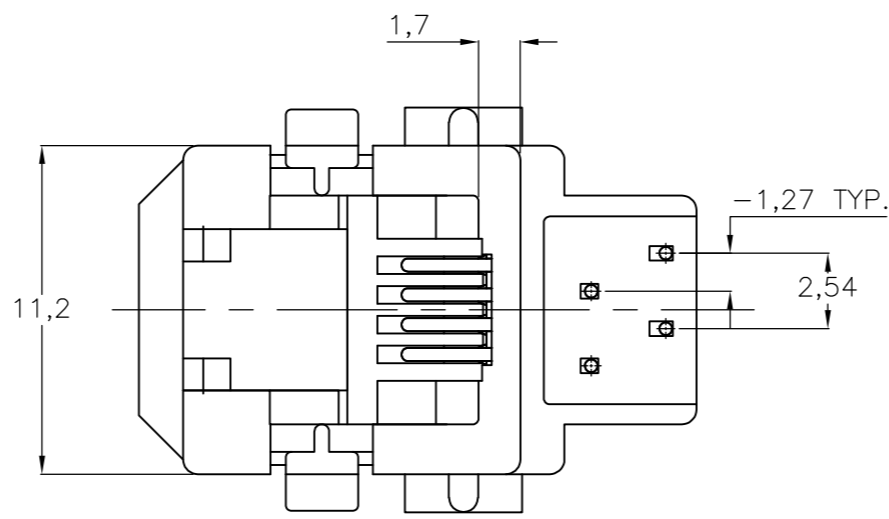
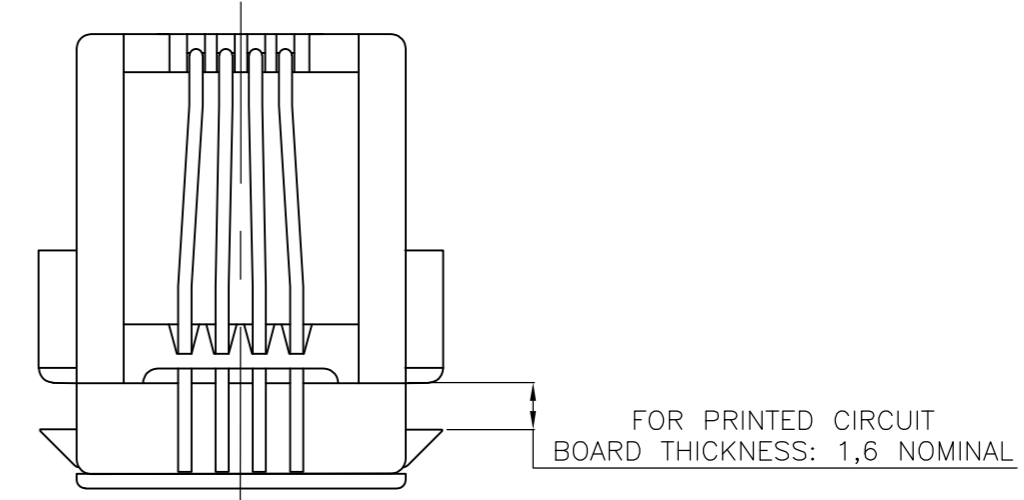
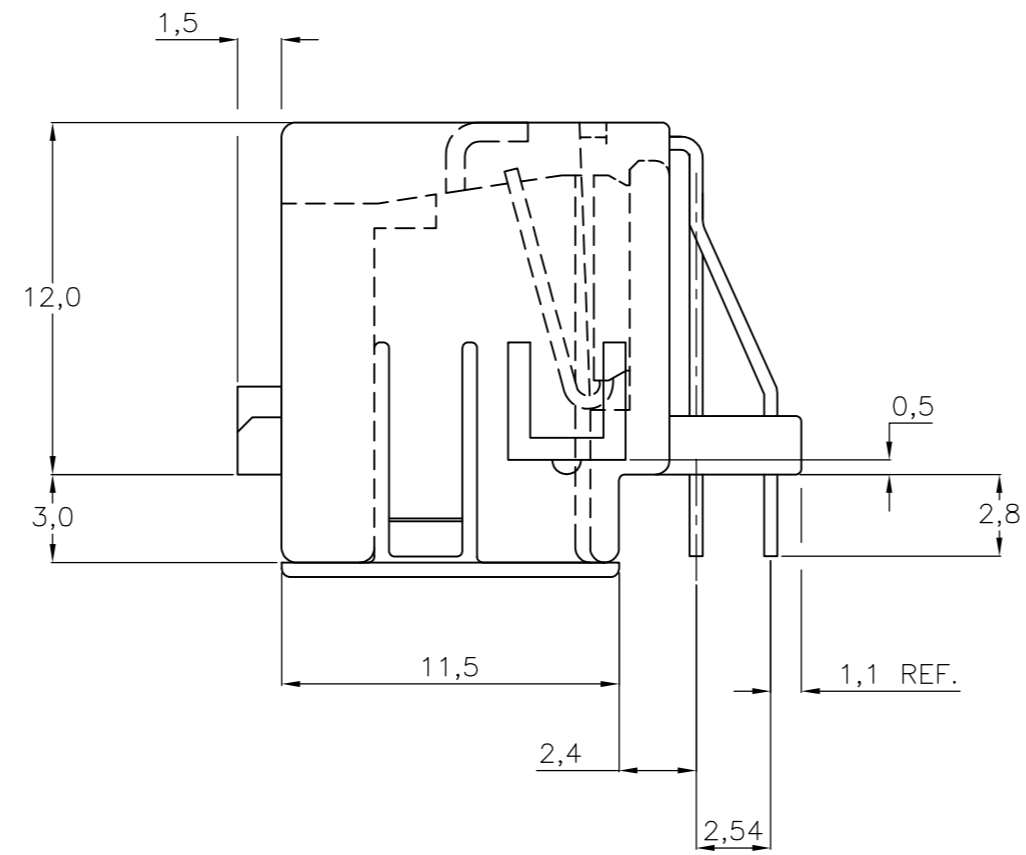
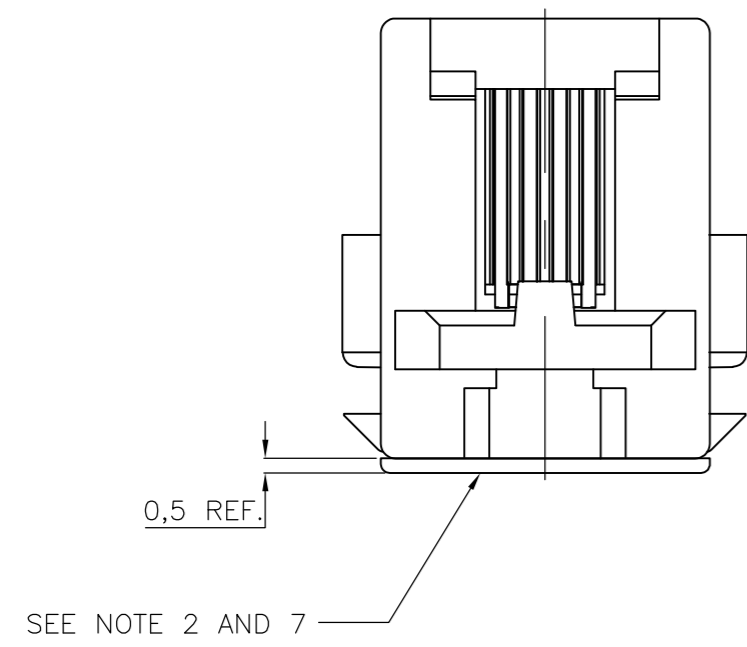
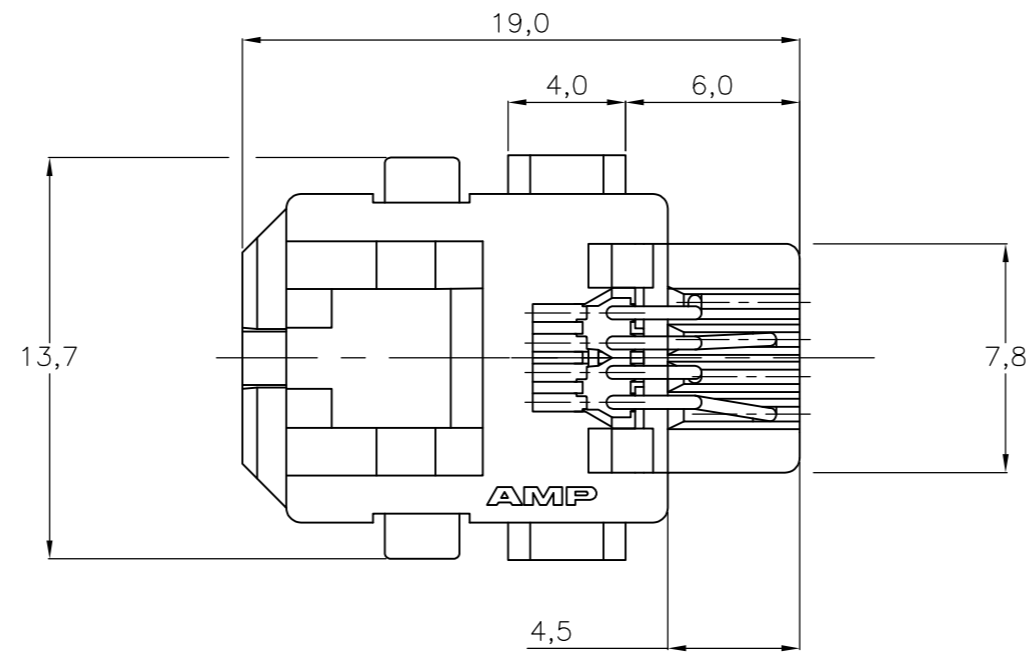


THIS DRAWING IS UNPUBLISHED. RELEASED FOR PUBLICATION  
 © COPYRIGHT BY ALL RIGHTS RESERVED.

LOC		DIST		REVISIONS			
P	LTR	DESCRIPTION	DATE	DWN	APVD		
IR	-	P2	9-216444-9 IS MADE FINISHED PRODUCT	13SEP2011	PS	RRP	

NOTES:

1. TOLERANCES UNLESS OTHERWISE SPECIFIED: ±0,15.
2. MODULAR JACK P.N. 216444-1, 216444-2, 3-216444-1, 4-216444-1 ARE DELIVERED WITH PLASTIC SOLDER STOP INSTALLED, TO PREVENT SOLDER ENTERING THE JACK. REMOVE SOLDER STOP AFTER SOLDERING.
3. FOR PERFORMANCE REQUIREMENTS SEE TE PRODUCT SPECIFICATION 108-19064.
4. FOR APPLICATION REQUIREMENTS SEE TE APPLICATION SPECIFICATION 114-19019.
5. FOR PACKAGING SEE SHEET 2.
6. PREFERRED DIRECTION FOR STAMPING OF HOLE TO OBTAIN A BROKEN EDGE AT JACK ENTRY SIDE.
7. TRUE POSITIONING OF THE SOLDER TINES MAY BE AFFECTED BY BULK PACKAGING. THE SOLDER STOP COULD BE LOOSENED DURING TRANSPORT.
8. MODULAR JACK PN 9-216444-9 IS DELIVERED WITHOUT SOLDER STOP SO CUSTOMER HAS TO VERIFY THIS PART BEFORE CONSIDERING FOR MASS PRODUCTION.



PRINTED CIRCUIT BOARD LAYOUT  
 TOLERANCES UNLESS OTHERWISE SPECIFIED: ±0,05

PACKAGING	REMARKS	FINISH	MATERIAL	PARTNUMBER
BULK PACKED 800PCS IN A BOX	4 POS. / 4 CONTACTS WITHOUT SOLDER STOP	1,25µm MIN. GOLD OVER	HOUSING: 20% G.F. NYLON COLOR: BLACK UL 94-HB CONTACTS: PHOS. BRONZE	9-216444-9
OBSOLETE 800pcs PER 60cm DIA REEL	4 POS. / 4 CONTACTS WITH SOLDER STOP PACKAGED 800 pcs. ON 60cm DIA REEL	1,25µm MIN. NICKEL IN CONTACT AREA.	HOUSING: 25% G.F. NYLON COLOR: BLACK UL 94V-0 CONTACTS: PHOS. BRONZE	216444-2
OBSOLETE BULK PACKAGED 500pcs. IN A BOX	4 POS. / 4 CONTACTS WITH SOLDER STOP BULK PACKAGED 500 pcs/BOX	1,25µm MIN. TIN-LEAD OVER 1,25µm MIN. NICKEL ON SOLDER TINES.	HOUSING: 20% G.F. NYLON COLOR: BLACK UL 94-HB CONTACTS: PHOS. BRONZE	4-216444-1
BULK PACKAGED 1000pcs. IN A BOX	4 POS. / 4 CONTACTS WITH SOLDER STOP BULK PACKAGED 1000 pcs/BOX			3-216444-1
800pcs PER 60cm DIA REEL	4 POS. / 4 CONTACTS WITH SOLDER STOP FOR PACKAGING SEE SHEET 2			216444-1

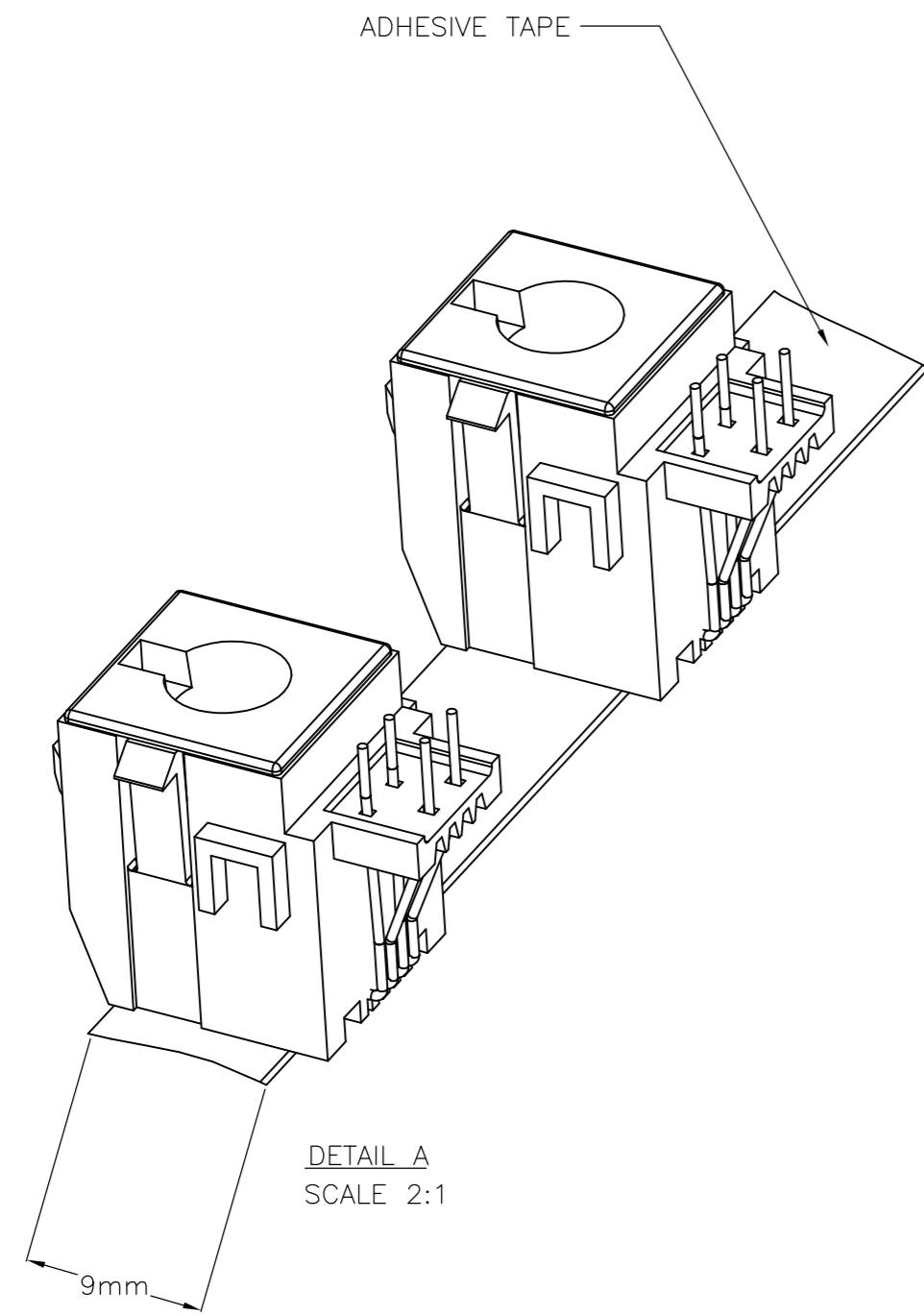
THIS DRAWING IS A CONTROLLED DOCUMENT. DWN: E.V.EIJK 17DEC96  
 CHK: W. BRUMMANS  
 APVD: R. SMEETS  
 PRODUCT SPEC: -  
 APPLICATION SPEC: -  
 MATERIAL: - FINISH: - WEIGHT: -  
 CUSTOMER DRAWING

**TE** TE Connectivity  
 MODULAR JACK, 4 POS. BOTTOM ENTRY VERSION FOR PRINTED CIRCUIT BOARD MOUNTING

SIZE: A2 CAGE CODE: 00779 DRAWING NO: C-216444 RESTRICTED TO: -  
 SCALE: NTS SHEET: 1 of 2 REV: P2

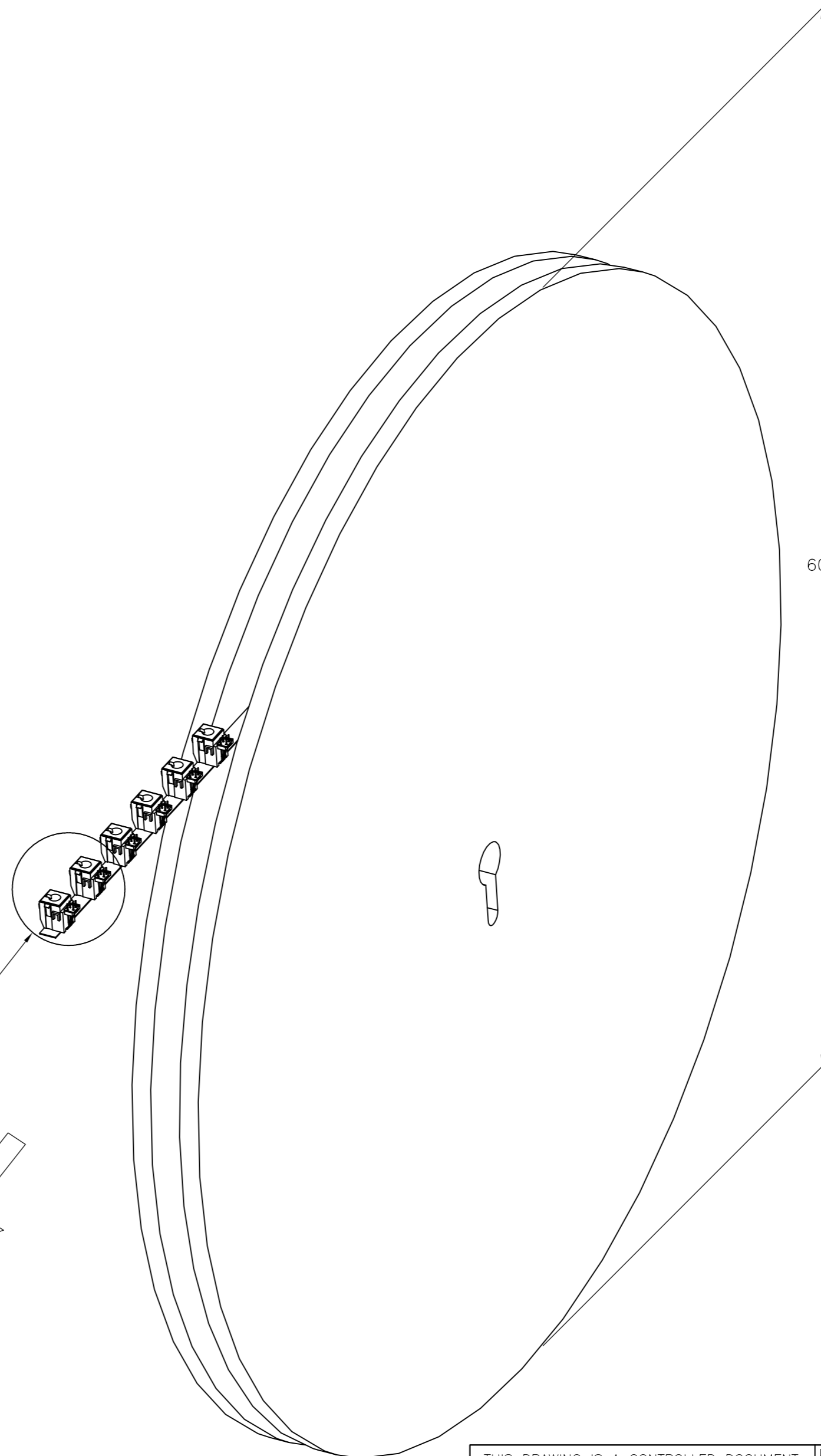
THIS DRAWING IS UNPUBLISHED. RELEASED FOR PUBLICATION  
 © COPYRIGHT BY ALL RIGHTS RESERVED.

LOC		DIST		REVISIONS			
P	LTR	DESCRIPTION	DATE	DWN	APVD		
-	-	SEE SHEET 1	-	-	-		



SEE DETAIL-A

REEL-OFF DIRECTION



600

THIS DRAWING IS A CONTROLLED DOCUMENT.		DWN	17DEC96	<b>TE</b> TE Connectivity	
DIMENSIONS: mm		CHK	E.V.EIJK		
TOLERANCES UNLESS OTHERWISE SPECIFIED:		APVD	W. BRUMMANS	NAME 4 POS. BOTTOM ENTRY MODULAR JACK PACKAGING	
0 PLC ± -		PRODUCT SPEC	R. SMEETS		
1 PLC ± -		APPLICATION SPEC	-	SIZE	A2
2 PLC ± -		WEIGHT	-	CAGE CODE	00779
3 PLC ± -		FINISH	-	DRAWING NO	C=216444
4 PLC ± -		MATERIAL	-	RESTRICTED TO	-
ANGLES		CUSTOMER DRAWING		SCALE	NTS
FINISH		SHEET		2	of 2
MATERIAL		REV		P2	