

23 SERIES

- **MINIATURE WEDGE BASE NON-GROUNDED OR GROUNDED LAMPHOLDERS**
- **BLACK NYLON HOUSING (UNLESS OTHERWISE NOTED)**
- **6" WIRE LEADS, PRINTED CIRCUIT BOARD OR SOLDER LUG TERMINALS**
- **MAXIMUM RATINGS: 20 WATTS, 28 VOLTS**
- **UL AND CSA RECOGNIZED • UL FILE E20356 • CSA FILE LR 15284-24**

Overview

The 23 Series lampholders are designed for automotive and appliance applications. Most lampholders can be supplied as either non-grounded or grounded units with printed circuit board or solder lug terminals or 6" wire leads. Many bracket and mounting options are available including plug buttons for 5/8" mounting holes and a 5/8" twist and lock socket. Lampholders are designed for use in low voltage applications with T-5 & T-3 1/4 wedge base lamps.

Specifications

Housing: black nylon, unless otherwise specified. white housing also available.

Contacts: brass.

Terminals:

Solder lug: electro tinned brass, 0.110" length x 0.010" thick, with one wire hole 3/32"x1/16" in diameter. Non-grounded units are supplied with two terminals. Grounded units are supplied with one terminal.

Printed circuit board terminals: brass.

Wire Leads: 6" Leads: #22 AWG, black, stranded tinned copper, PVC insulated, UL/CSA rated 105°C, stripped 1/2". Non-grounded units are supplied with two 6" wire leads. Grounded units are supplied with one 6" wire lead. Custom wire lengths, stripping, termination and wire types are also available.

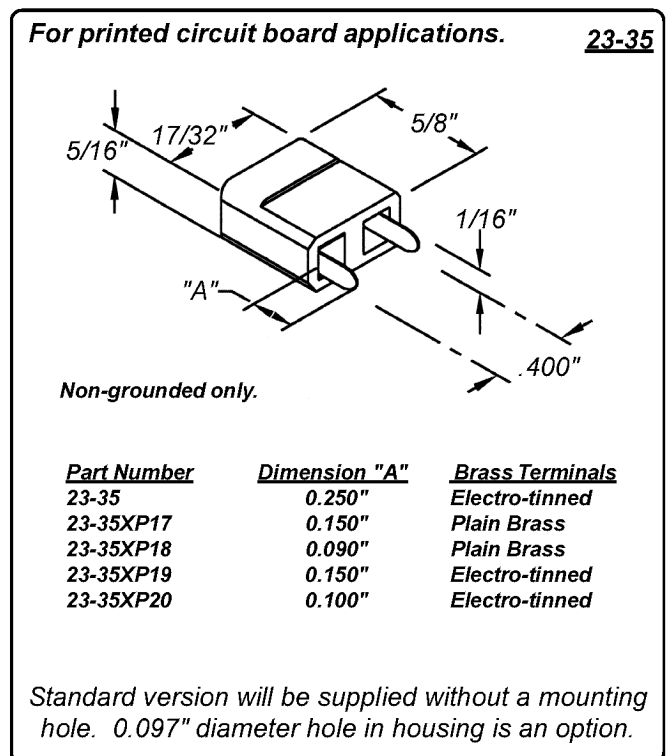
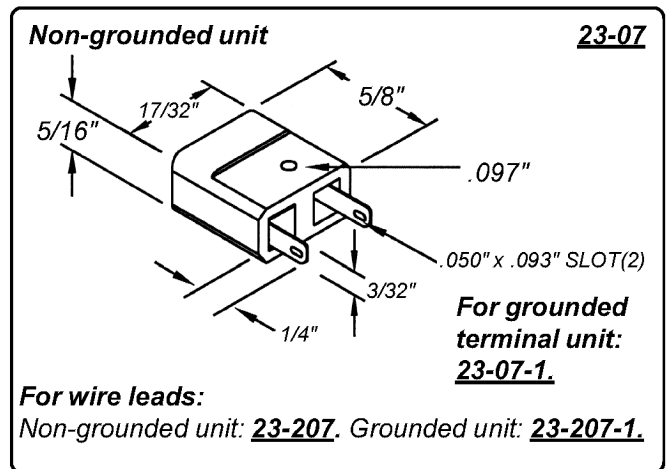
Mounting:

Brackets: 0.025" to 0.032" zinc plated steel.

Plug buttons: for 5/8" mounting hole, nylon or zinc plated steel.

Twist & Lock: for 5/8" mounting hole.

Maximum rating: 20 Watts, 28 Volts.



23 Series • UL & CSA Recognized
Maximum Rating: 20 Watts, 28 Volts
Non-Grounded or Grounded

Black Nylon* Housing
Solder Lug Terminals, 6" Wire Leads
or Printed Circuit Board Terminals

* Nylon Housing unless otherwise noted.

For solder lug terminals:
23-40PL
Non-grounded only.

13/16" O.D.

5/32"

5/8"

0.625" DIA.

5/16"

9/16"

Mounting Hole Diagram

Plug button for 5/8" mounting hole.
Panel thickness: 1/32" to 3/32"

Non-grounded only.

23-340PL

51/64"

13/16" O.D.

35/64" DIA.

3/64"

For solder lug terminals:
23-340PL-T

Housing material: Ultem®
Plug button for 5/8" mounting hole.
Panel thickness range: 1/32" to 5/64".

23-440PL

19/64"

1/8" DIA.

3/4"

3/8"

13/64"

1-39/64"

30°

Designed for snap-in mounting with a mechanical locking feature for greater panel assurance.

17/32"

5/8" DIA.

Mounting Hole Diagram

Panel Thickness: 1/32" to 3/32"

For solder lug terminals: **23-440PL-T** Non-grounded only.

Housing material: polyester
Mounting hole: 5/8"
Panel thickness: 1/32" to 5/64"

23-540PL

13/16" O.D.

5/8"

1/4"

Non-grounded only.

For solder lug terminals: **23-540PL-T**

Mounting hole: 5/8"
Panel thickness: 1/32" to 5/64"

Non-grounded only.

23-540PLC

45/64"

27/64"

5/8"

1/4"

13/16" O.D.

5/8"

Wire not supplied.
Designed for 18 AWG wire.