

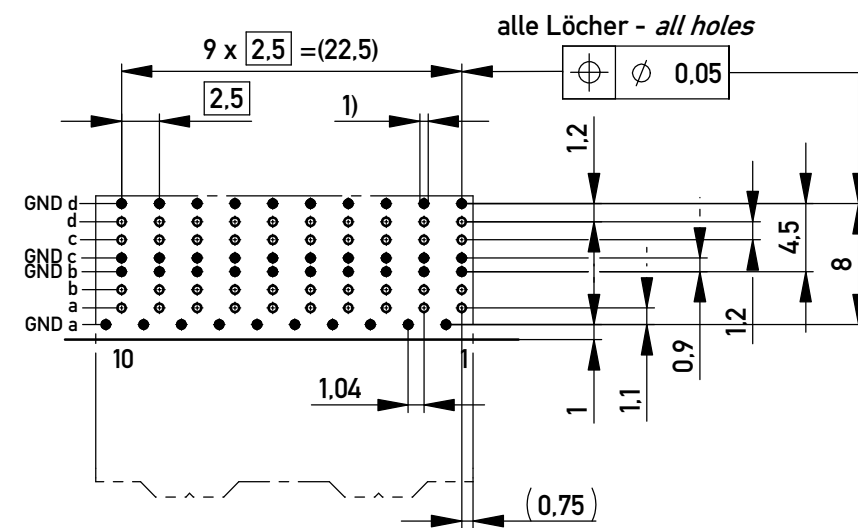
1) $\varnothing 0,46 \pm 0,05$ Durchmesser des metallisierten Loches
 $\varnothing 0,46 \pm 0,05$ Diameter of finished plated-through hole

$\varnothing 0,55 \pm 0,02$ Bohrdurchmesser des Loches
 $\varnothing 0,55 \pm 0,02$ Diameter of drilled hole

Schichtaufbau im metallisierten Loch
 siehe Zeichnung 384191

Metal plating of plated-through hole
 see drawing 384191

Lochbild für Leiterplatte Board hole pattern
 (Bestückungsseite) (Component mounting side)



Copyright by ERNI Production GmbH & Co. KG
 Proprietary notice pursuant to ISO 16016 to be observed.

Information:		Tolerances		Scale	2:1
All rights reserved. Only for Information. To ensure that this is the latest version of this drawing, please contact one of the ERNI companies before using.		Subject to modification without prior notice. Drawing will not be updated.		Designation	
				ERmet ZDplus Federleiste 2-10 ERmet ZDplus Female 2-10	
b	30.08.2017	www.ERNI.com		464459	
Index	Date			I A3	
				Class	
				ERMZD+	

Mouser Electronics

Authorized Distributor

Click to View Pricing, Inventory, Delivery & Lifecycle Information:

[ERNI Electronics:](#)

[464459](#)