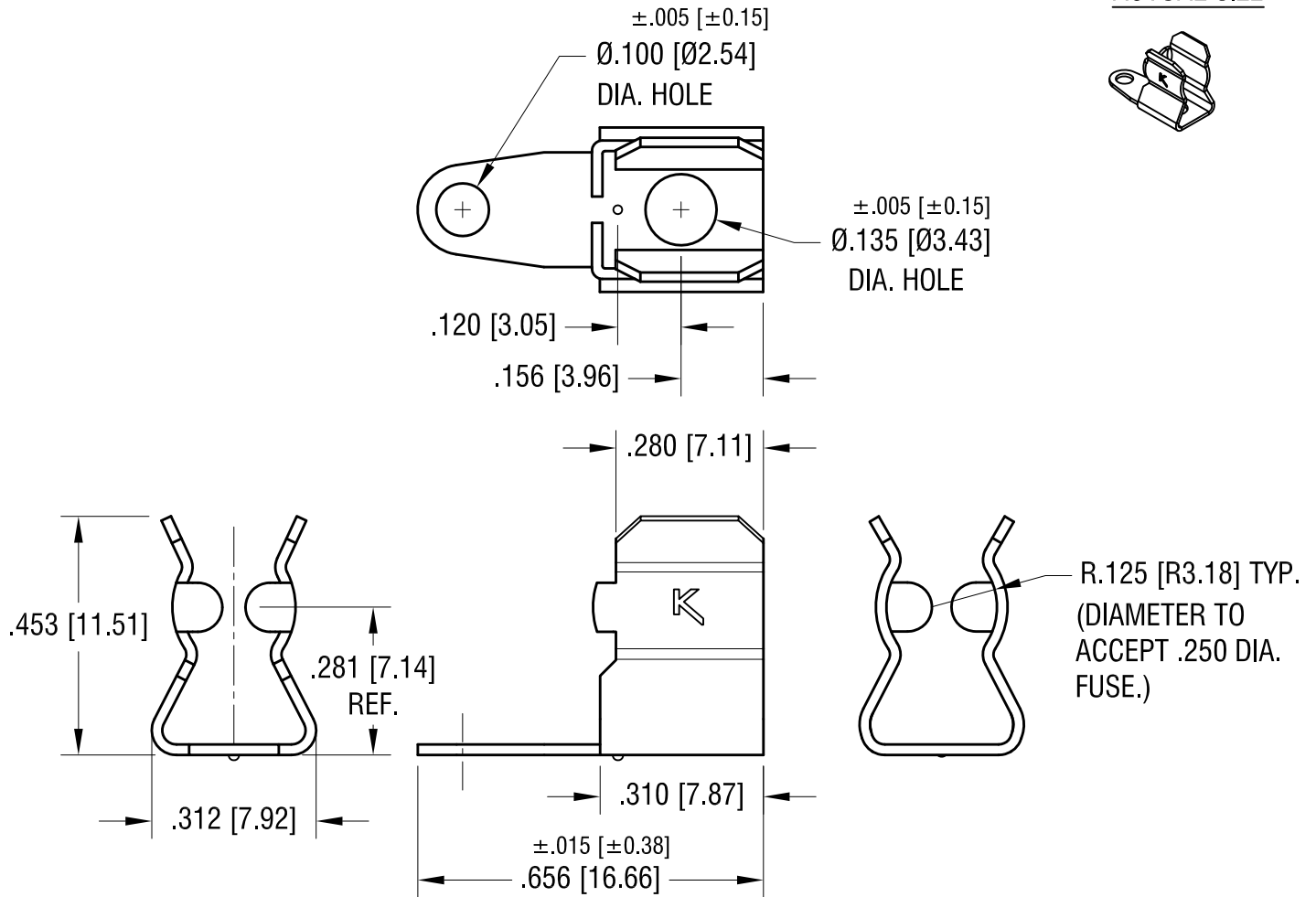
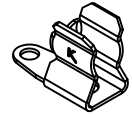


THIS DOCUMENT IS THE PROPERTY OF KEYSTONE ELECTRONICS CORP. AND SHALL NOT BE REPRODUCED, DISTRIBUTED OR USED AS A BASIS FOR MANUFACTURE WITHOUT PRIOR WRITTEN PERMISSION FROM KEYSTONE ELECTRONICS CORP.

ACTUAL SIZE



9.12.12	CHANGE AS PER ECN 12-141	C
8.26.03	CHANGE AS PER ECN 03-062	B
5.22.02	CHANGE AS PER ECN 02-055	A
DATE	DESCRIPTION	REV.

KEYSTONE ELECTRONICS CORP.			
www.keyelco.com • ASTORIA, N.Y. 11105-2017 • Tel (718) 956-8900			
PART NAME		3AG FUSE CLIP	
MATERIAL		.020 [0.50] TH'K BRASS	
FINISH		DRN BY	DATE
NICKEL PLATE		BOONE	6.15.82
		APP'D	SCALE
TOLERANCES INCH [MM]		CODE	DWG NO.
ANGULAR		C	3533
± 1°			
UNLESS OTHERWISE SPECIFIED			