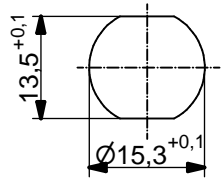
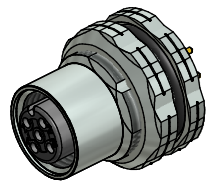
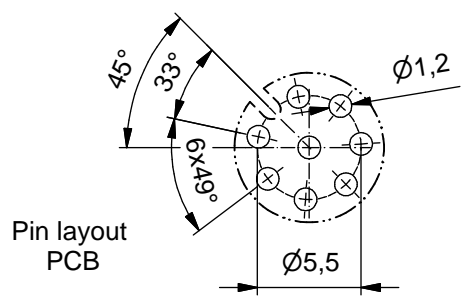
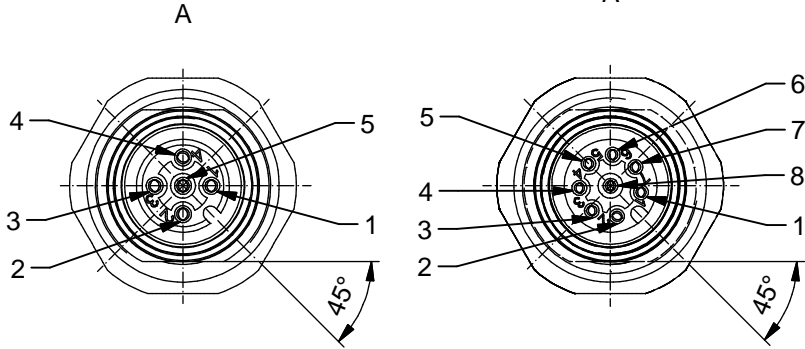
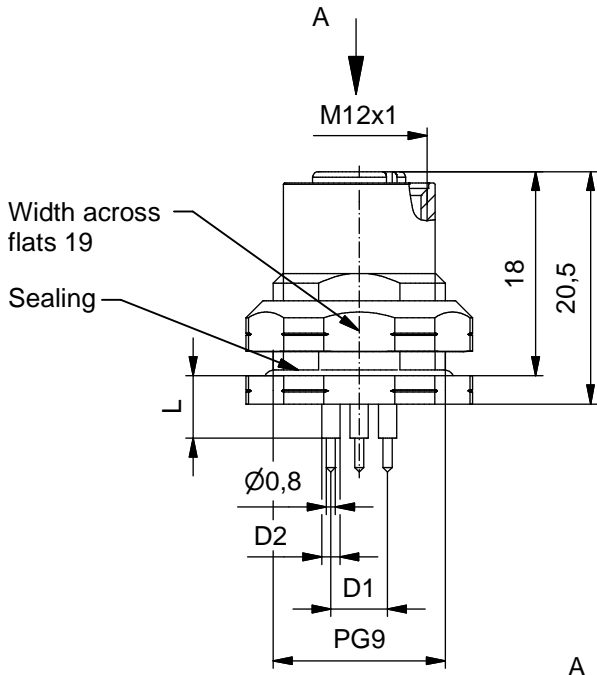


**Technische Daten:**

|  |  |                   |           |
|--|--|-------------------|-----------|
| Bemessungsspannung:<br>IEC 61076-2-101 | 4pol 250 V   | 5pol 60 V         | 8pol 30 V |
| Strombelastbarkeit:<br>IEC 61076-2-101 | 4/5pol 4 A bei 40°C  | 8pol 2 A bei 40°C |           |
| Isolationswiderstand:<br>IEC 60512     | >=100 MΩ   |                   |           |
| Verschmutzungsgrad:<br>IEC 60664-1     | 3/2  |                   |           |
| Schutzart:<br>IEC 60529                | IP 67, im verschraubten Zustand                                      |                   |           |
| Umgebungstemperatur:                   | -30°C ... +85°C  |                   |           |
| Steckzyklen:<br>IEC 60512-9a           | >=100  |                   |           |
| <b>Werkstoffe:</b>                     |  |                   |           |
| Kontaktmaterial:                       | CuZn   |                   |           |
| Kontaktoberfläche:                     | Ni, Au gal.  |                   |           |
| Kontaktträger:                         | PBT GF, UL 94  |                   |           |
| Dichtung Steckgesicht:<br>Gehäuse:     | FPM<br>NBR   |                   |           |
| Kontermutter:                          | CuZn, Ni   |                   |           |
| Flanschgehäuse:                        | CuZn, Ni   |                   |           |
| Verguß:                                | Polyurethan-Harz, UL 94  |                   |           |
| <b>Montagedaten:</b>                   |  |                   |           |
| empfohlenes Drehmoment:                | 1-1,2 Nm   |                   |           |
| Conec Montagewerkzeug:                 | Drehmomentschlüssel:<br>36-000200<br>Steckeinsatz SW19:<br>36-000250 |                   |           |

| Art.-Nr.: | Bezeichnung:               | Pol | Länge L: | D1   | D2   |
|-----------|----------------------------|-----|----------|------|------|
| 43-01059  | SAL - 12 - FKH4 - P5,5 - 9 | 4   | 5,5mm    | Ø5,0 | Ø1,6 |
| 43-01061  | SAL - 12 - FKH5 - P5,5 - 9 | 5   |          | Ø5,5 | Ø1,4 |
| 43-01063  | SAL - 12 - FKH8 - P5,5 - 9 | 8   | 12mm     | Ø5,0 | Ø1,6 |
| 43-01060  | SAL - 12 - FKH4 - P12 - 9  | 4   |          | Ø5,5 | Ø1,4 |
| 43-01062  | SAL - 12 - FKH5 - P12 - 9  | 5   |          | Ø5,0 | Ø1,6 |
| 43-01064  | SAL - 12 - FKH8 - P12 - 9  | 8   |          | Ø5,5 | Ø1,4 |

|   |   |            |   |       |      |      |          |       |       |          |         |  |
|---|---|------------|---|-------|------|------|----------|-------|-------|----------|---------|--|
| CAD-Unterlage nicht manuell ändern<br>Directive 2002/95/EC RoHS compliant | Index: c 23.11.12 MG Ä4555<br>Datenblatt überarbeitet, technische Daten angepasst, Werkstoffe korrigiert  | dim. in mm | <b>Benennung:</b><br>Flansch Kupplung M12x1 mit<br>Printkontakt, Hinterwandmontage,<br>PG9<br><br><b>Zeichnungsnr.:</b><br>43K1A300<br><br><b>Artikelnr.:</b> siehe Tabelle |       |      |      |          |       |       |          |         |  |
|   | <table border="1" style="width:100%; border-collapse: collapse;"> <tr> <td style="width: 30%;"></td> <td style="width: 30%; text-align: center;">Datum</td> <td style="width: 40%; text-align: center;">Name</td> </tr> <tr> <td>gez.</td> <td style="text-align: center;">20.02.07</td> <td style="text-align: center;">Fromm</td> </tr> <tr> <td>gepr.</td> <td style="text-align: center;">01.03.07</td> <td style="text-align: center;">Mankopf</td> </tr> </table> |            |   | Datum | Name | gez. | 20.02.07 | Fromm | gepr. | 01.03.07 | Mankopf |  |
|   |   | Datum      |   | Name  |      |      |          |       |       |          |         |  |
|   | gez.  | 20.02.07   |   | Fromm |      |      |          |       |       |          |         |  |
| gepr.   | 01.03.07  | Mankopf    |   |       |      |      |          |       |       |          |         |  |
| <b>Allgemeintoleranz:</b><br>0 ± 0,50mm<br>0,0 ± 0,25mm<br>0,00 ± 0,10mm  | <b>Diese Zeichnung darf ohne unsere ausdrückliche, schriftliche Genehmigung weder vervielfältigt noch dritten Personen ausgehändigt werden. Eigentums- und Urheberrecht vorbehalten</b>   |            |   |       |      |      |          |       |       |          |         |  |
| CAD-Unterlage nicht manuell ändern<br>Directive 2002/95/EC RoHS compliant |   |            |   |       |      |      |          |       |       |          |         |  |



Minimum wall thickness 1,5mm,  
alternativ panel cut-out d=15,3

**Technical specification:**

|                                     |                           |                     |              |
|-------------------------------------|---------------------------|---------------------|--------------|
| Rated voltage:<br>IEC 61076-2-101   | 4pos<br>250 V             | 5pos<br>60 V        | 8pos<br>30 V |
| Current rating:<br>IEC 61076-2-101  | 4/5pos<br>4 A at 40°C     | 8pos<br>2 A at 40°C |              |
| Insulation resistance:<br>IEC 60512 | >=100 MΩ                  |                     |              |
| Pollution degree:<br>IEC 60664-1    | 3/2                       |                     |              |
| Degree of protection:<br>IEC 60529  | IP 67, in mated condition |                     |              |
| Temperature range:                  | -30°C ... +85°C           |                     |              |
| Mating cycles:<br>IEC 60512-9a      | >=100                     |                     |              |

**Materials:**

|                                |                           |
|--------------------------------|---------------------------|
| Contact:                       | CuZn                      |
| Contact plating:               | Nickel, gold plated       |
| Contact carrier:               | PBT GF, UL 94             |
| Sealing connector:<br>chassis: | FPM<br>NBR                |
| Counternut:                    | CuZn, nickel plated       |
| Socket housing:                | CuZn, nickel plated       |
| Grouting:                      | Polyurethane-resin, UL 94 |

**Installation specification:**

|                          |  |
|--------------------------|--|
| Recommended torque:      | 1-1,2 Nm   |
| Conec installation tool: | Torque wrench:<br>36-000200<br>Insert across flats:<br>36-000250 |

| Part no: | Description:               | Pos | Length L: | D1   | D2   |
|----------|----------------------------|-----|-----------|------|------|
| 43-01059 | SAL - 12 - FKH4 - P5,5 - 9 | 4   | 5,5mm     | Ø5,0 | Ø1,6 |
| 43-01061 | SAL - 12 - FKH5 - P5,5 - 9 | 5   |           | Ø5,5 | Ø1,4 |
| 43-01063 | SAL - 12 - FKH8 - P5,5 - 9 | 8   | 12mm      | Ø5,0 | Ø1,6 |
| 43-01060 | SAL - 12 - FKH4 - P12 - 9  | 4   |           | Ø5,5 | Ø1,4 |
| 43-01062 | SAL - 12 - FKH5 - P12 - 9  | 5   |           | Ø5,5 | Ø1,4 |
| 43-01064 | SAL - 12 - FKH8 - P12 - 9  | 8   |           |      |      |

|   |  |                              |   |  |      |      |                |       |                |
|---|--|------------------------------|---|--|------|------|----------------|-------|----------------|
| DO NOT ALTER CAD DRAWING BY HAND<br>Directive 2002/95/EC RoHS compliant   | Index: c 23.11.12 MG Ä4555<br>Data sheet revised, technical specification changed, materials corrected | dim. in mm                   | <b>title:</b><br>Female socket M12x1 with dip solder, backmounting, PG9 |  |      |      |                |       |                |
|   |  |                              |   | <table border="1"> <tr> <td>date</td> <td>name</td> </tr> <tr> <td>drawn 20.02.07</td> <td>Fromm</td> </tr> <tr> <td>appd. 01.03.07</td> <td>Mankopf</td> </tr> </table> | date | name | drawn 20.02.07 | Fromm | appd. 01.03.07 |
|   | date   | name                         |   |  |      |      |                |       |                |
|   | drawn 20.02.07   | Fromm                        |   |  |      |      |                |       |                |
| appd. 01.03.07  | Mankopf  |                              |   |  |      |      |                |       |                |
| <b>general tolerance:</b><br>0 ± 0,50mm<br>0,0 ± 0,25mm<br>0,00 ± 0,10mm  |  | <b>dwg no:</b><br>43K1A300   |   |  |      |      |                |       |                |
| <small>THIS DRAWING MAY NOT BE COPIED OR REPRODUCED IN ANY WAY, AND MAY NOT BE PASSED ON TO A THIRD PARTY WITHOUT WRITTEN PERMISSION. OWNERSHIP AND COPYRIGHT OF CONEC GmbH</small> |  | <b>part no:</b><br>see table |   |  |      |      |                |       |                |

