



VTMR1 series

On-Delay Timing Module With Internal Potentiometer, Relay Output

- On-delay timing mode
- 8A SPDT relay output.
- Internal potentiometer for timing adjustment.
- Reliable solid state timing circuitry.
- Excellent transient protection.
- Flame retardant, solvent resistant housing.

File E60363

File LR33434

Users should thoroughly review the technical data before selecting a product part number. It is recommended that user also seek out the pertinent approvals files of the agencies/laboratories and review them to ensure the product meets the requirements for a given application.

Timing Mode

On-Delay.

Timing Specifications

Timing Ranges: 15 to 300 sec.

Timing Adjustment: Internal potentiometer.

Accuracy: Repeat Accuracy: $\pm 5\%$ max. (0.25% typ.)

Overall Accuracy: Max. Time: -0% , $+10\%$.

Min. Time: -30% , $+10\%$.

Reset Time: 250 ms, max.

Input Data @ 25°C

Voltage: $\pm 10\%$ 120VAC/VDC.

Power Requirement: 3.5VA, max.

Transient Protection: Non-repetitive transients of the following magnitudes will not cause spurious operation of affect function and accuracy.

| Operating Voltage | <0.1 ms | <1 ms |
|-------------------|---------|---------|
| 120 VAC/VDC | 2,580V | 2,150V* |

* Min. source impedance of 100 ohms.

Current Drain: 30mA, Max.

Output Contact Data

Arrangement: 1 Form C (SPDT).

Rating: 8A, resistive, at nominal operating voltage.

Expected Mechanical Life: 10,000,000 operations.

Expected Electrical Life: 100,000 operations.

Environmental Data

Temperature Range: Storage: -40°C to $+70^{\circ}\text{C}$.

Operating: -40°C to $+70^{\circ}\text{C}$.

Initial Dielectric Strength

Between Terminals and Mounting: 3,000VAC rms.

Between Input and Output: 1,500VAC rms.

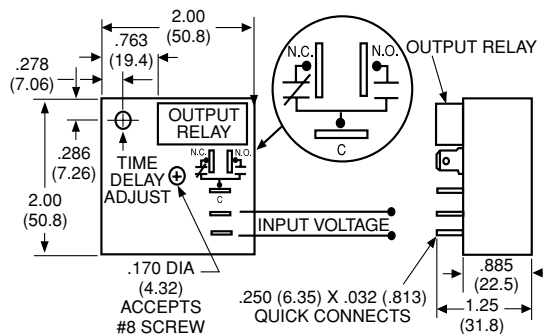
Mechanical Data

Mounting: Panel mount with one #8 screw.

Termination: 0.250 in (6.35) quick connect terminals.

Weight: 4 oz. (112g) approximately.

Outline Dimensions and Wiring Diagram



Ordering Information

| Part Number | Time Range | Input Voltage |
|-------------|----------------|---------------|
| VTMR1AEA | 15 to 300 sec. | 120VAC |

Authorized distributors are likely to stock the following:

None at present.