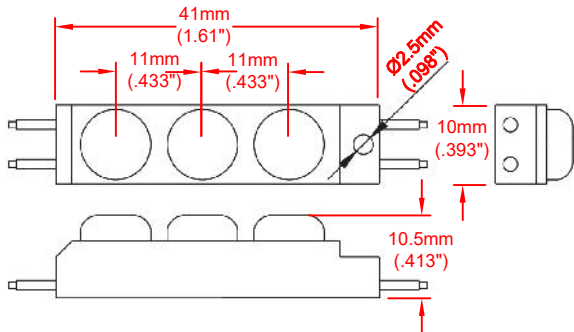


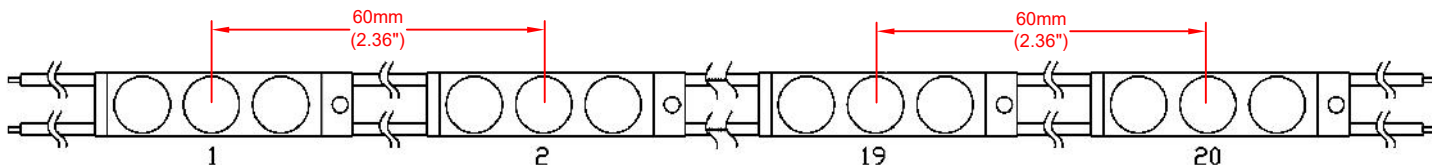
# WATER RESISTANT 3-LED MINI MODULE

## FEATURES

- VOLTAGE: 12V DC
- CURRENT: 75mA PER MODULE
- WATTAGE: 0.9W PER MODULE
- LED VIEWING ANGLE : 160°
- WATER RESISTANCE: IP67
- PACKAGE: 20 PIECES PER STRAND
- MOUNTING: ADHESIVE BACKING WITH SCREW MOUNT OPTION



MAXIMUM MODULES IN SERIES: 40 MODULES



20 AWG WIRE

### Absolute Maximum Rating at TA = 25°C

Parameter	Symbol	Absolute Maximum Rating	Unit
Forward Current	IF	75	mA
Power Dissipation	PD	0.9	W
Electrostatic Discharge	ESD	800	V
Operating Temperature	Topr	-25~+50	°C
Storage Temperature	Tstg	-40~+70	°C

### Electrical/Optical Characteristics at TA = 25°C

Parameter	Typical	Unit
Forward Voltage DC	12	VF
Color Temperature	6000	K
Luminous Flux Per Module	80	lm
Recommend Forward Current	75	mA

### ATTENTION



OBSERVE PRECAUTION FOR HANDLING ELECTROSTATIC DISCHARGE SENSITIVE DEVICES

JKL PART NO.: ZM-4110-CW

				DIMENSIONS ARE IN mm & (INCHES) TOLERANCE UNLESS OTHERWISE SPECIFIED 1 PL +/- REF. 2 PL +/- ANGLE +/-		<b>JKL COMPONENTS CORPORATION</b>					
		THIRD ANGLE PROJECTION		DRAWN BY L. WENGSTROM		APPV'D BY S.C.		DATE 7/30/18		TITLE <b>WIDE VIEW 3-LED CHANNEL LED, COOL WHITE</b>	
RELEASE		7/28/18		SCALE		FSCM NO. <b>55335</b>		DRAWING NO. <b>ZM-4110-CW</b>			
REV. NO.	DESCRIPTION/ECO NUMBER	APPV'D DATE	- CAD DRAWING - MANUAL REVISIONS NOT PERMITTED			SCALE	RELEASED DATE	REVISION DATE	REV. NO.	SHEET 1 OF 1	