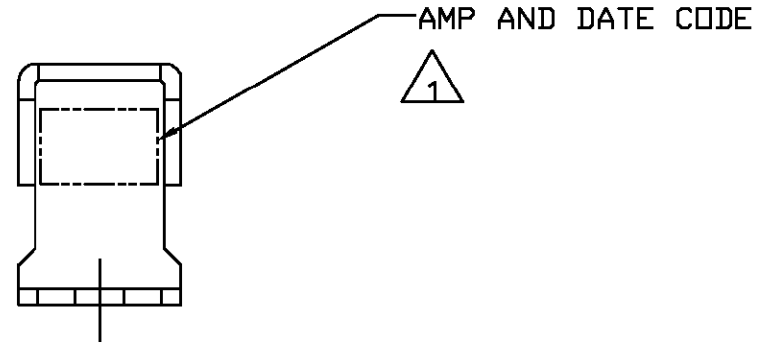
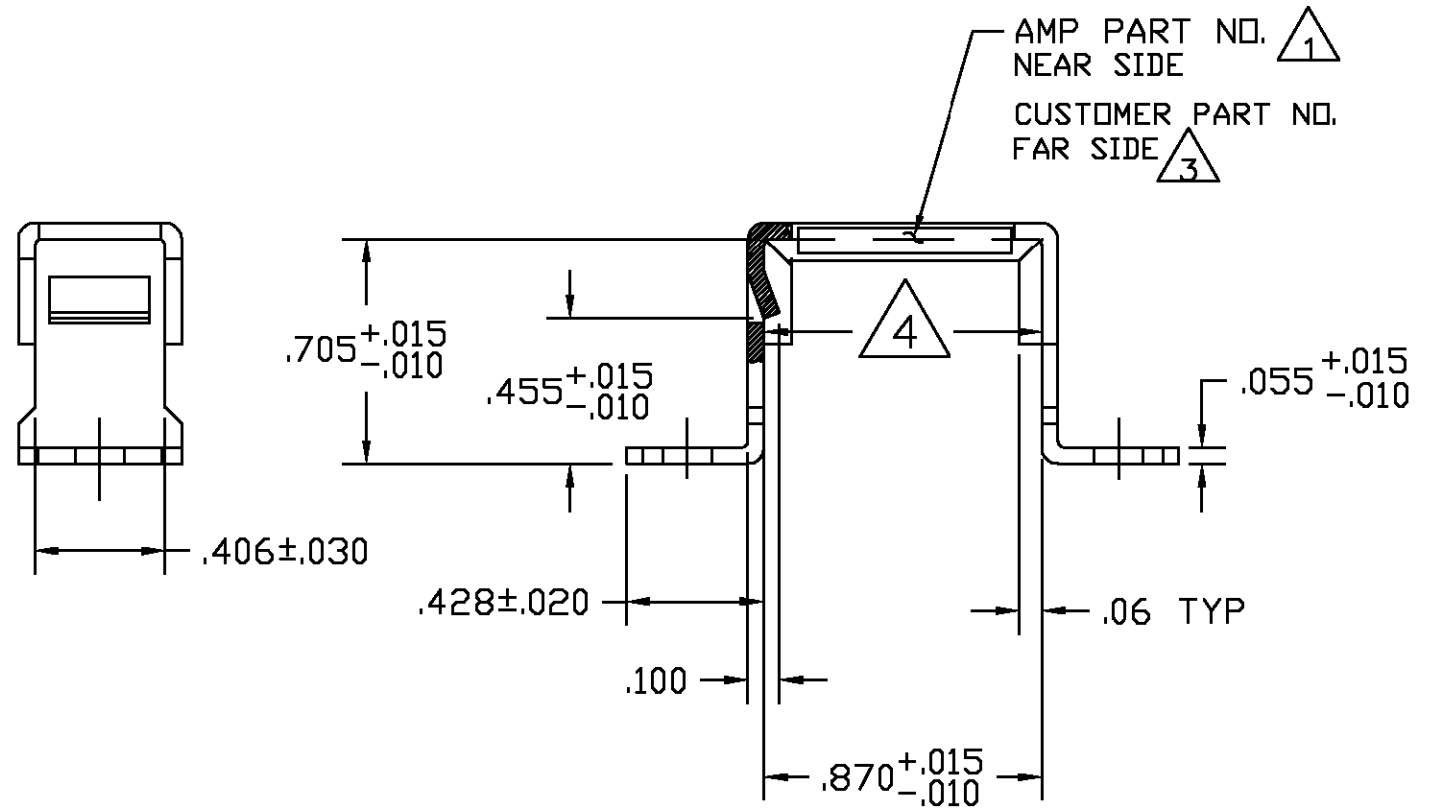
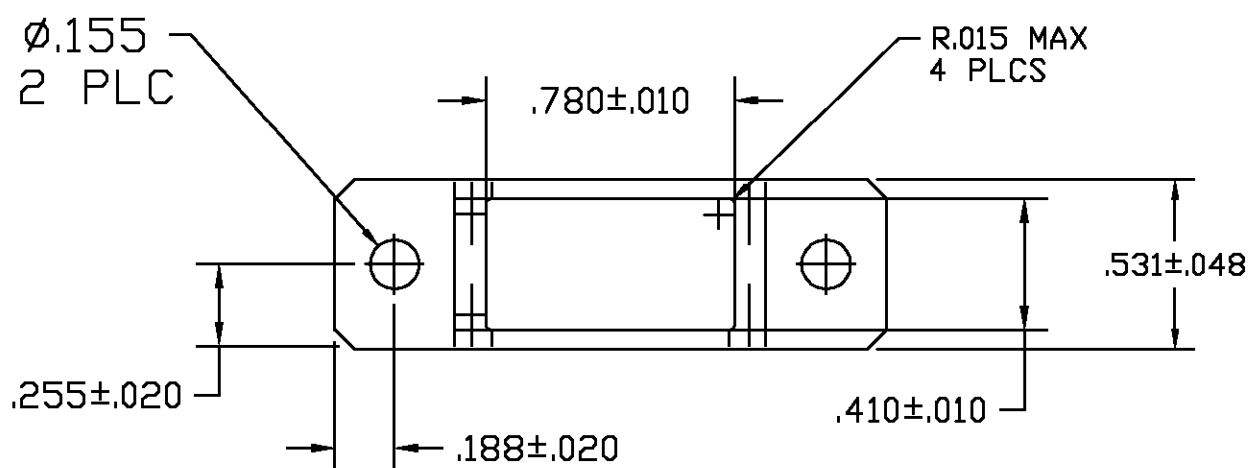


THIS DRAWING IS UNPUBLISHED. RELEASED FOR PUBLICATION .19  
 © COPYRIGHT 19 BY AMP INCORPORATED. ALL RIGHTS RESERVED.

LOC		DIST		REVISIONS			
P	LTR	DESCRIPTION	DATE	DWN	APVD		
DF	AO	B	REV & REDRAWN;OG3D-0167-00	4-00	CT	DM	



ELECTROLESS NICKEL PER QQ-N-290	ALUMINUM ALLOY 6061-T4	-----	591637-9
BLACK ANODIZED PER MIL-A-8625 TYPE II, CLASS 2	ALUMINUM ALLOY 6061-T4	8400-041-0020	591637-5
BLACK ANODIZED PER MIL-A-8625 TYPE II, CLASS 2	ALUMINUM ALLOY 6061-T4	53711-5190993	591637-4
BLACK ANODIZED PER MIL-A-8625 TYPE II, CLASS 2	ALUMINUM ALLOY 6061-T4	19207-12301876	591637-3
BLACK ANODIZED PER MIL-A-8625 TYPE II, CLASS 2	ALUMINUM ALLOY 6061-T4	19207-12283284	591637-2
BLACK ANODIZED PER MIL-A-8625 TYPE II, CLASS 2	ALUMINUM ALLOY 6061-T4	-----	591637-1
FINISH	MATERIAL	CUSTOMER NO. (3)	PART NUMBER

- 1 "AMP", AMP PART NO. AND DATE CODE MARKED WITH .060 MINIMUM HIGH CHARACTERS AT APPROXIMATE AREA SHOWN.
- 2. THIS FRAME ASSEMBLY ACCOMMODATES SIZE 22, 20 AND 16 FEED-BACK MODULE FOR SINGLE MODULE MOUNTING.
- 3 CUSTOMER PART NO. MARKED ( IF REQUIRED ) WITH .060 MINIMUM HIGH CHARACTERS AT APPROXIMATE AREA SHOWN.
- 4 MEASUREMENT POINT OF .870+.015/-0.010 DIMENSION.

THIS DRAWING IS A CONTROLLED DOCUMENT.

DIMENSIONS: INCHES	TOLERANCES UNLESS OTHERWISE SPECIFIED:	DWN: C.C.THOMAS 4-25-00	AMP Incorporated Harrisburg, PA 17105-3608
	0 PLC ±	CHK: D.MILLER 4-25-00	<b>AMP</b>
	1 PLC ±	APVD: D.MILLER 4-25-00	
	2 PLC ±.01	PRODUCT SPEC: -	SIZE: A2
	3 PLC ±.005	APPLICATION SPEC: -	CAGE CODE: 00779
	4 PLC ±	WEIGHT: -	DRAWING NO: 591637
	ANGLES ±	CUSTOMER DRAWING	RESTRICTED TO: -
MATERIAL: SEE TABLE	FINISH: SEE TABLE	SCALE: 2:1	SHEET: 1 OF 1