

PART NAME: INSERT

SCALE: 1:1

DATE: 5/10/43

DR. BY HM

DAVIES MOLDING COMPANY
CAROL STREAM, ILLINOIS 60188

P/N 2300

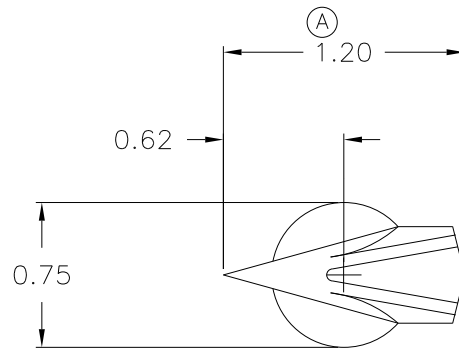
BASE PART 2300-01

SET SCREW I-22

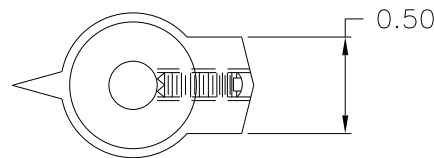
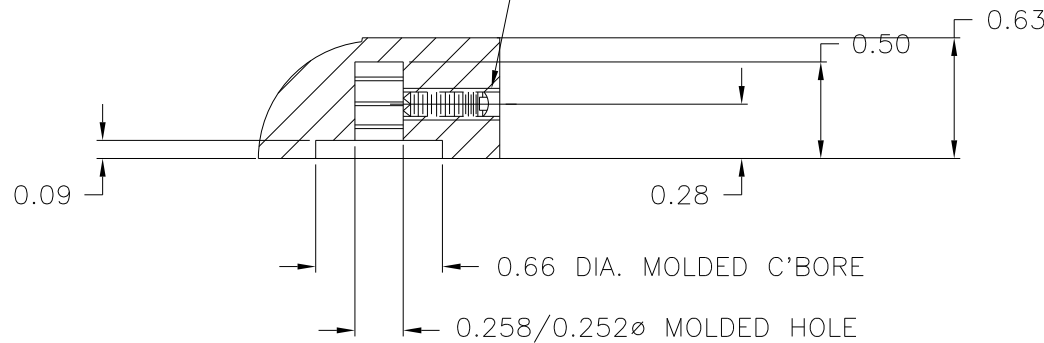
THIS DRAWING IS THE PROPERTY OF DAVIES MOLDING COMPANY, IS SUBMITTED SOLELY AS A DESIGN OR ENGINEERING PROJECT. WE ACCEPT NO RESPONSIBILITY WHATSOEVER FOR THE PRACTICAL APPLICATION OF THE PIECES MADE TO THIS DESIGN.

BASE PART 2300-01

SET SCREW I-22



USE # 28 DR, # 8-32 TAP.
8-32 THREAD X 7/16 LG.
CUP POINTED, SLOTTED TYPE,
SET SCREW I0022, (1)



MATERIAL: G.P. PHENOLIC (B11)
COLOR : BLACK

TOLERANCES: UNLESS OTHERWISE SPECIFIED	DO NOT SCALE DRAWING	A	WAS 1.218	JAM	2/7/05
		-	UPDATED TOOLBOX	JAM	10/18/02
DECIMALS: X.XXX ± .005 X.XX ± .015	MM: X.XX ± 0.15MM X.X ± 0.4MM	-	DWG. UPDATED	HD	5/8/97
		-	CAD/REDRAWN	HD	11/5/92
FRACTIONS ± 1/64	ANG. ± 1°	CHANGES			