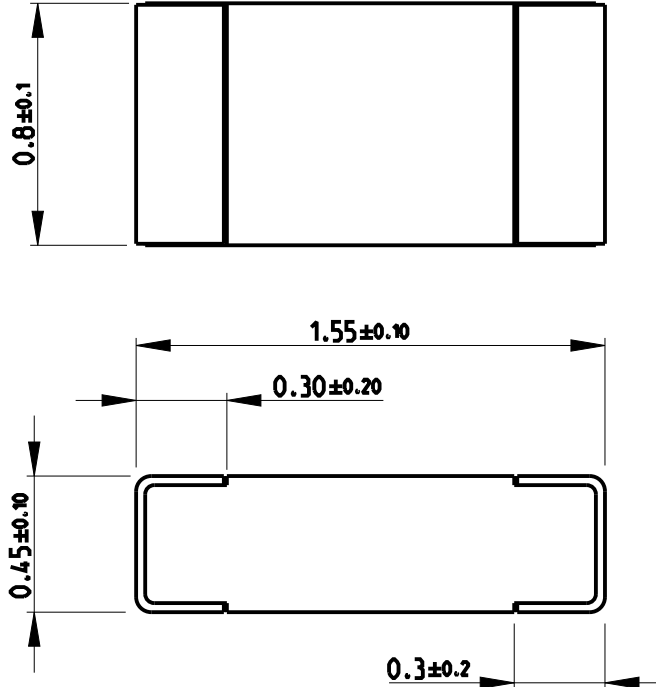
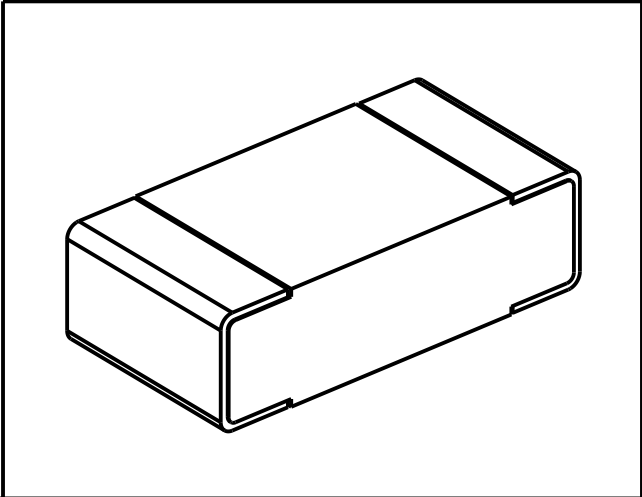


LOC	DIST	REVISIONS					
E	B	P	LTR	DESCRIPTION	DATE	DWN	APVD
		BA2	ECR-14-009193		19JUN2014	KR	TN

FOR FURTHER INFORMATION SEE DATA SHEET FOR CPF SERIES-THIN FILM PRECISION CHIP RESISTORS



RoHS Compliant




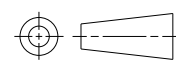
2008

RELEASED FOR PUBLICATION

ALL RIGHTS RESERVED.

© COPYRIGHT 2008

THIS DRAWING IS UNPUBLISHED.

DIMENSIONS: mm		DWN SUBHASH.M 29-Sep-08	MATERIAL -	FINISH -
TOLERANCES UNLESS OTHERWISE SPECIFIED:		CHK PRAKASH.S 29-Sep-08	 <b>TE</b> TE Connectivity	
0 PLC ± 0.2 1 PLC ± 0.1 2 PLC ± - 3 PLC ± - 4 PLC ± - ANGLES ± 5°		APVD STEPHEN.P 29-Sep-08		
		PRODUCT SPEC -	NAME THIN FILM PRECISION CHIP RESISTORS SERIES CPF 0603	
		APPLICATION SPEC -	SIZE A4	CAGE CODE 00779
		WEIGHT -	DRAWING NO C-1879338	RESTRICTED TO -
		Customer Drawing		SCALE 40:1
				SHEET 1 OF 1
				REV BA2