

## DETAILS

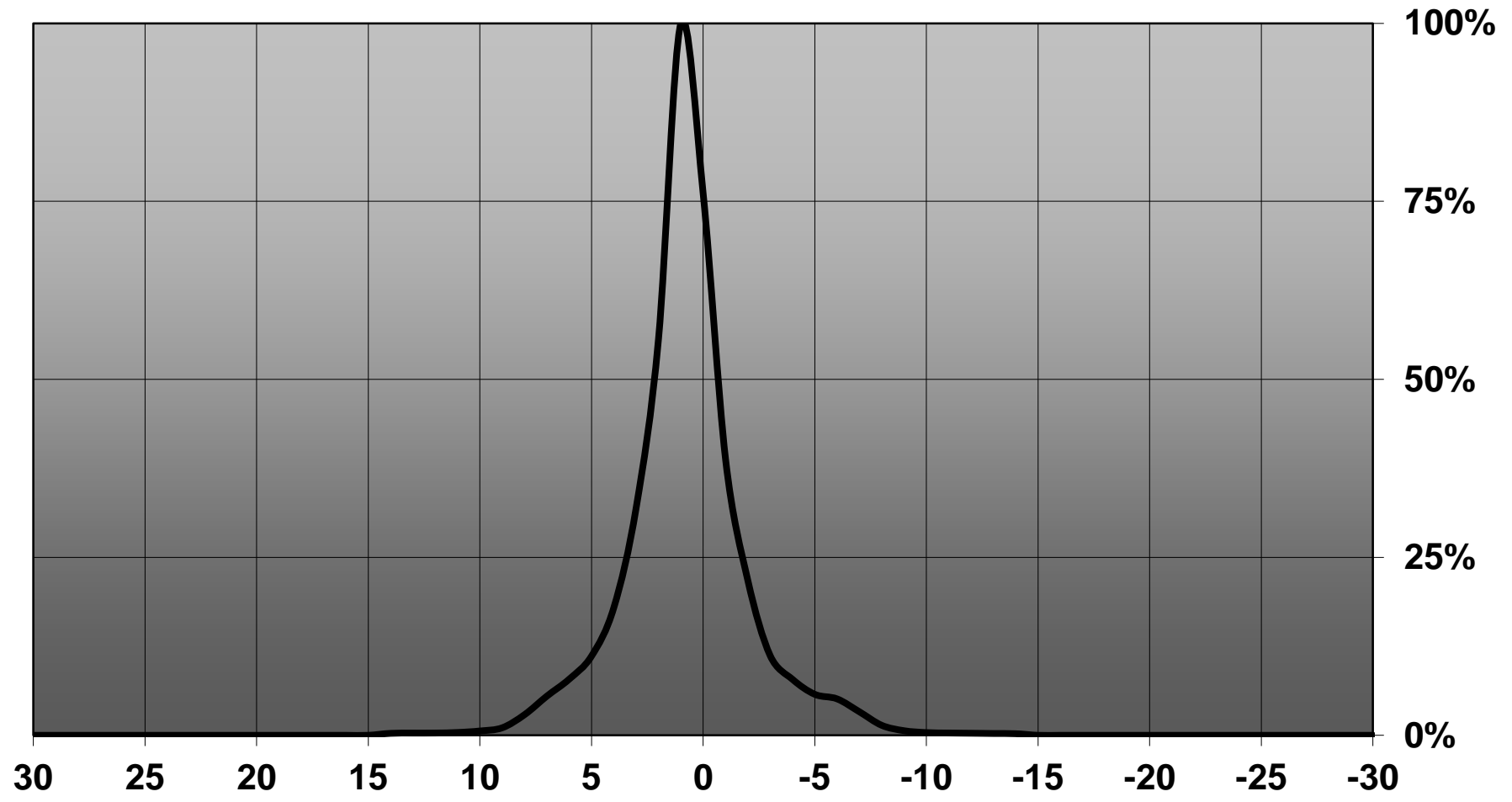
<b>Product Number</b>	FCN13552_CRYSTAL-RS
<b>Family</b>	Crystal
<b>Type</b>	Pack
<b>Color</b>	white
<b>Diameter</b>	49,7 mm
<b>Height</b>	28,7 mm
<b>Style</b>	round
<b>Optic Material</b>	PMMA
<b>Holder Material</b>	PC
<b>Fastening</b>	screw, pin
<b>Status</b>	production ready
<b>ROHS Compliant</b>	Yes
<b>Date Updated</b>	21/10/2015



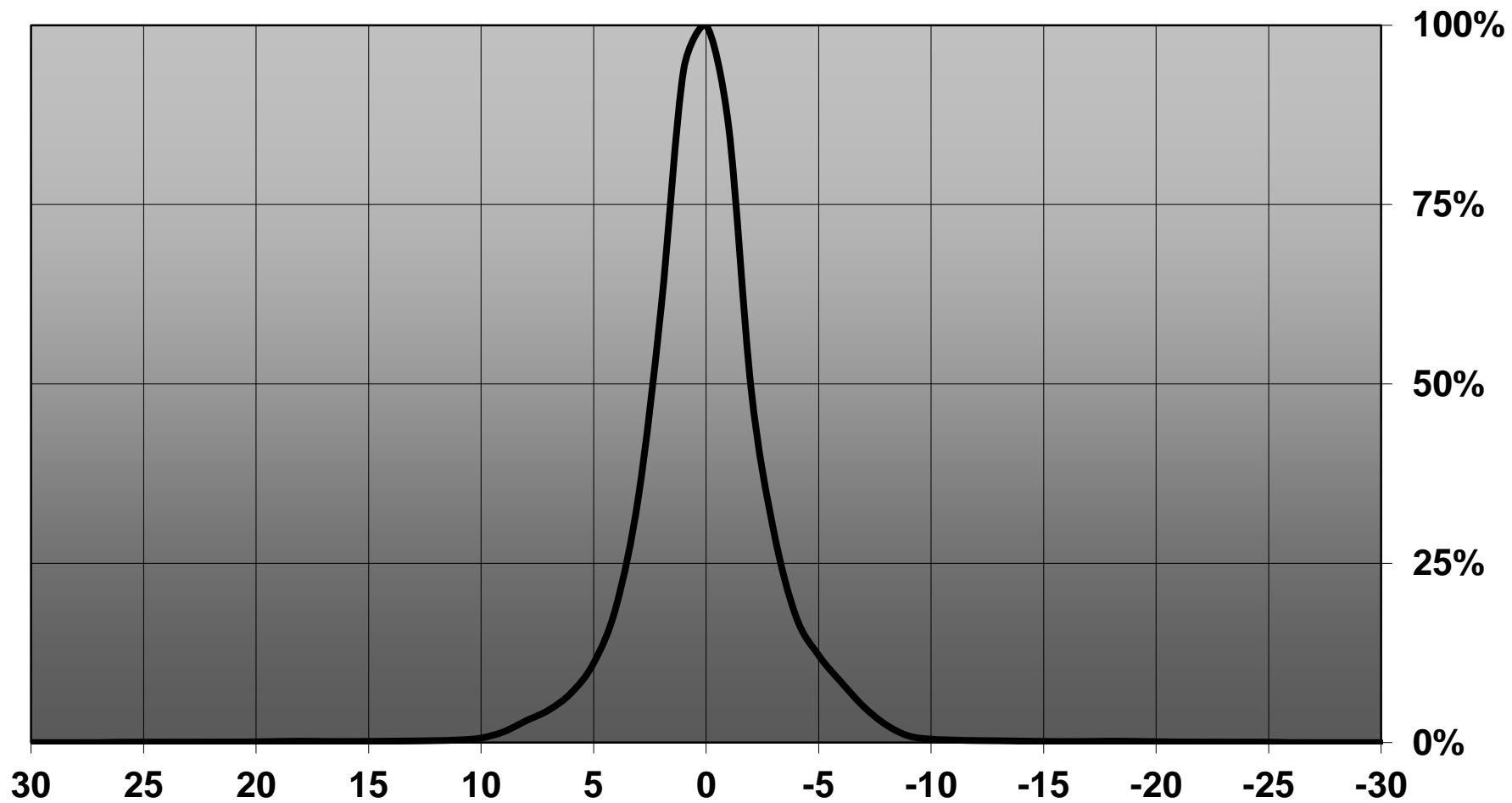
## OPTICAL PROPERTIES

LED	Viewing	Light	Efficiency	cd/lm	Connector
	Angle	Beam			
XQ-E HI	2.9 deg	Real spot	88 %	110.500	-
LUXEON Z ES	3 deg	Real spot	93 %	103.780	-
LH351Z	4.4 deg	Real spot	90 %	77.000	-
XP-G	4.9 deg	Real spot	89 %	68.290	-
XHP35 HI	5,7 deg	Real spot	89 %	48.300	-
LUXEON A	5.1 deg	Real spot	89 %	58.900	-
NVSxx19B/NVSxx19C	5.3 deg	Real spot	89 %	42.500	-
LH351B	5.3 deg	Real spot	90 %	57.030	-
XP-L	7 deg	Real spot	88 %	34.700	-
NWSx229A	8 deg	Real spot	92 %	27.900	-
NV4x144A	12 deg	Real spot	92 %	14.200	-

Relative intensity of CN13552\_CRYSTAL-RS\_(XQ-E\_HI)

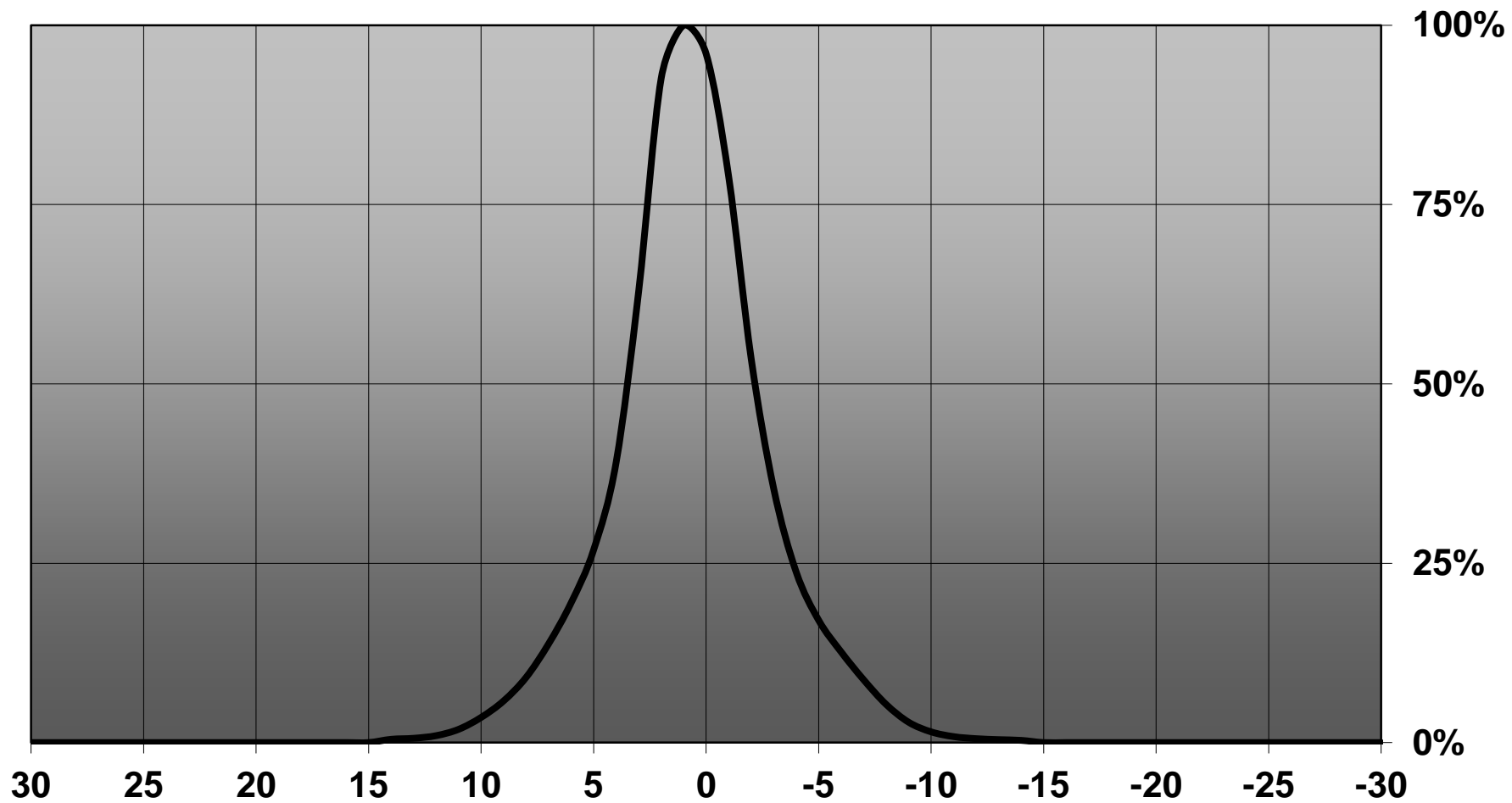


# Relative intensity of CN13552\_CRYSTAL-RS\_(LH351Z)

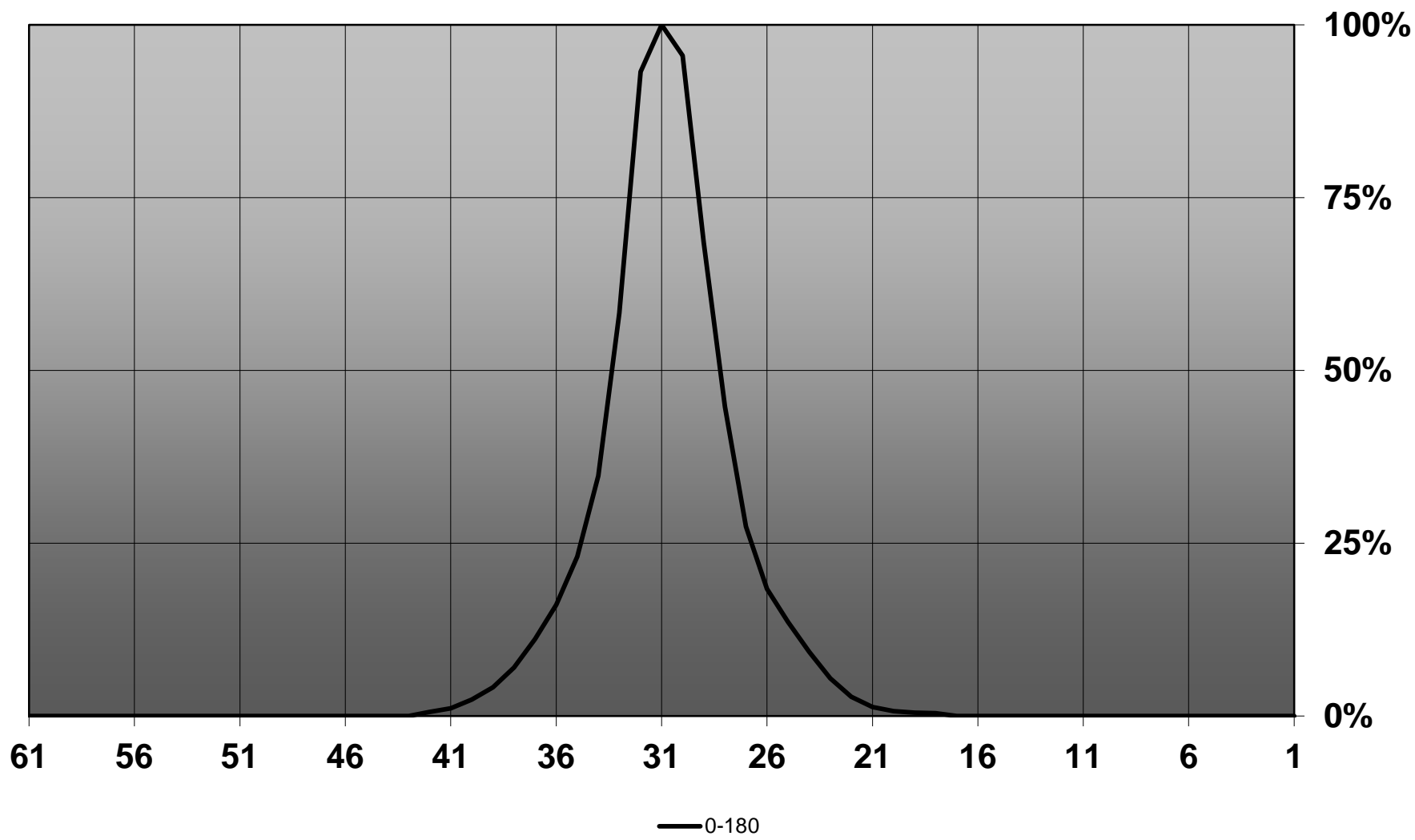


— 1: 0-180

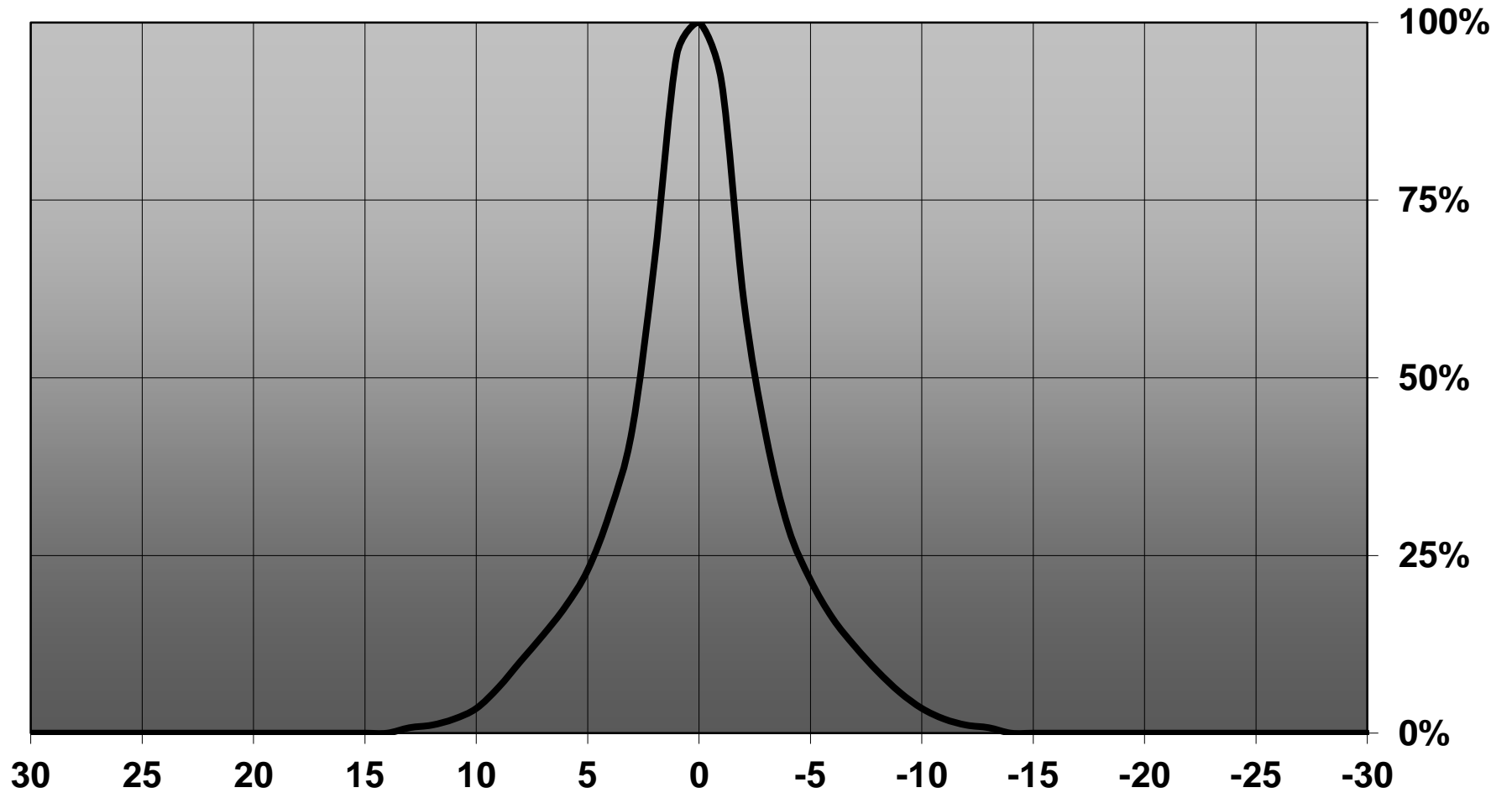
Relative intensity of CN13552\_CRYSTAL-RS\_(XHP35\_HI)



Relative intensity of CN13552\_CRYSTAL-RS\_(Luxeon\_A)

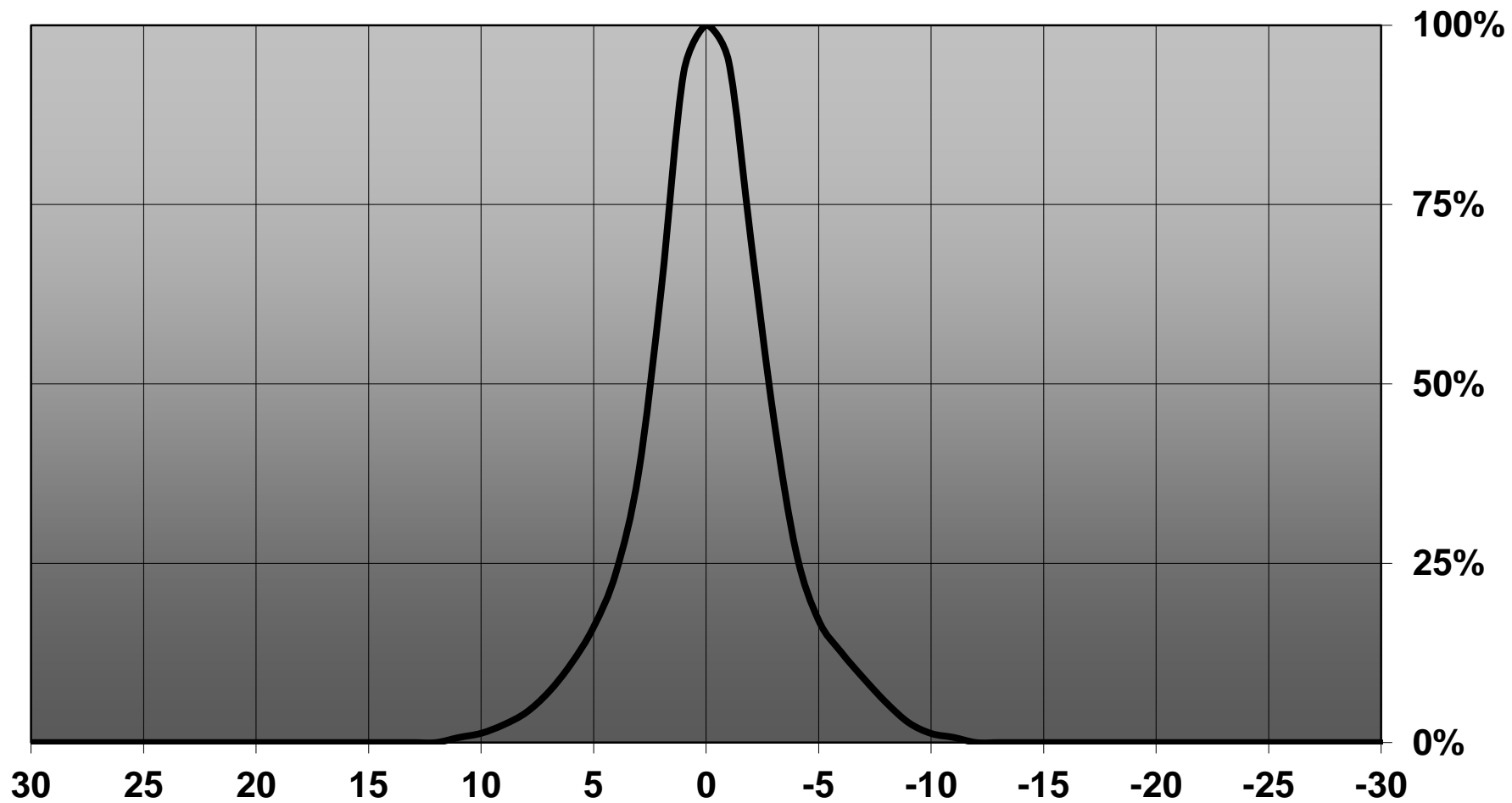


Relative intensity of CN13552\_CRYSTAL-RS\_(NVSxx19B)



—1

Relative intensity of CN13552\_CRYSTAL-RS\_(LH351B)



D

C

B

A

4

4

3

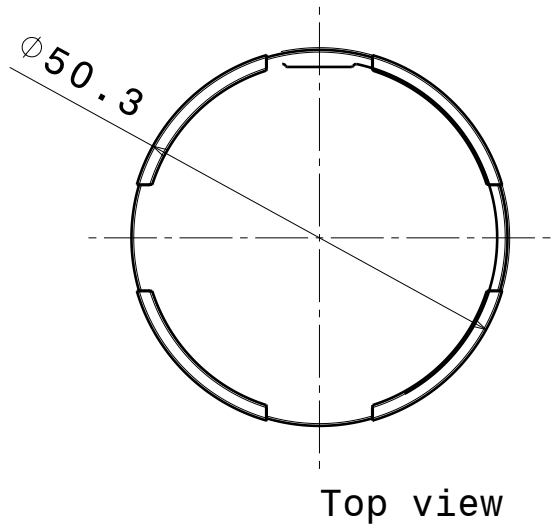
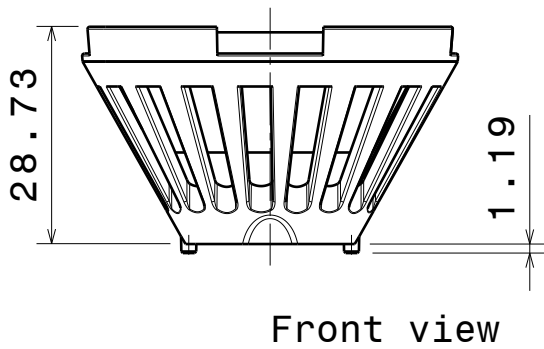
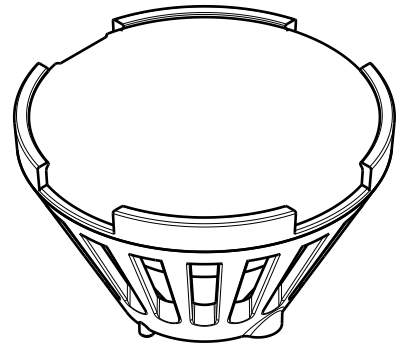
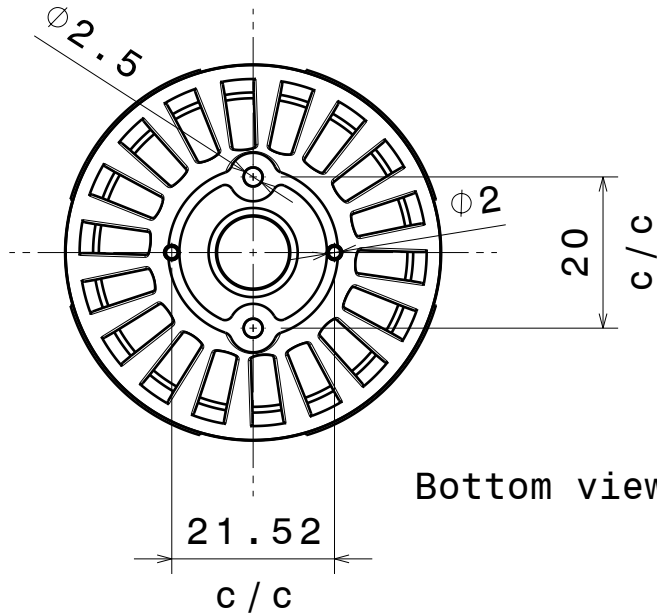
3

2

2

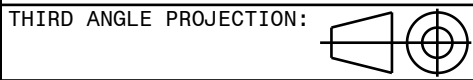
1

1



Tolerances if not otherwise shown  
 According to DIN ISO 2768-1  
 Linear measures: class C  
 According to DIN ISO 2768-2  
 Form and position: class L

**LEDiL** LediL Oy  
 Salorankatu 10  
 FIN 24240 SALO  
 Finland



DRAWING TITLE  
**Crystal Assembly MechDrawing**

This drawing is the property of LEDiL Oy. It may not be reproduced, copied or communicated without a written agreement with LEDiL Oy.

SIZE	PART NUMBER		
A4	-		

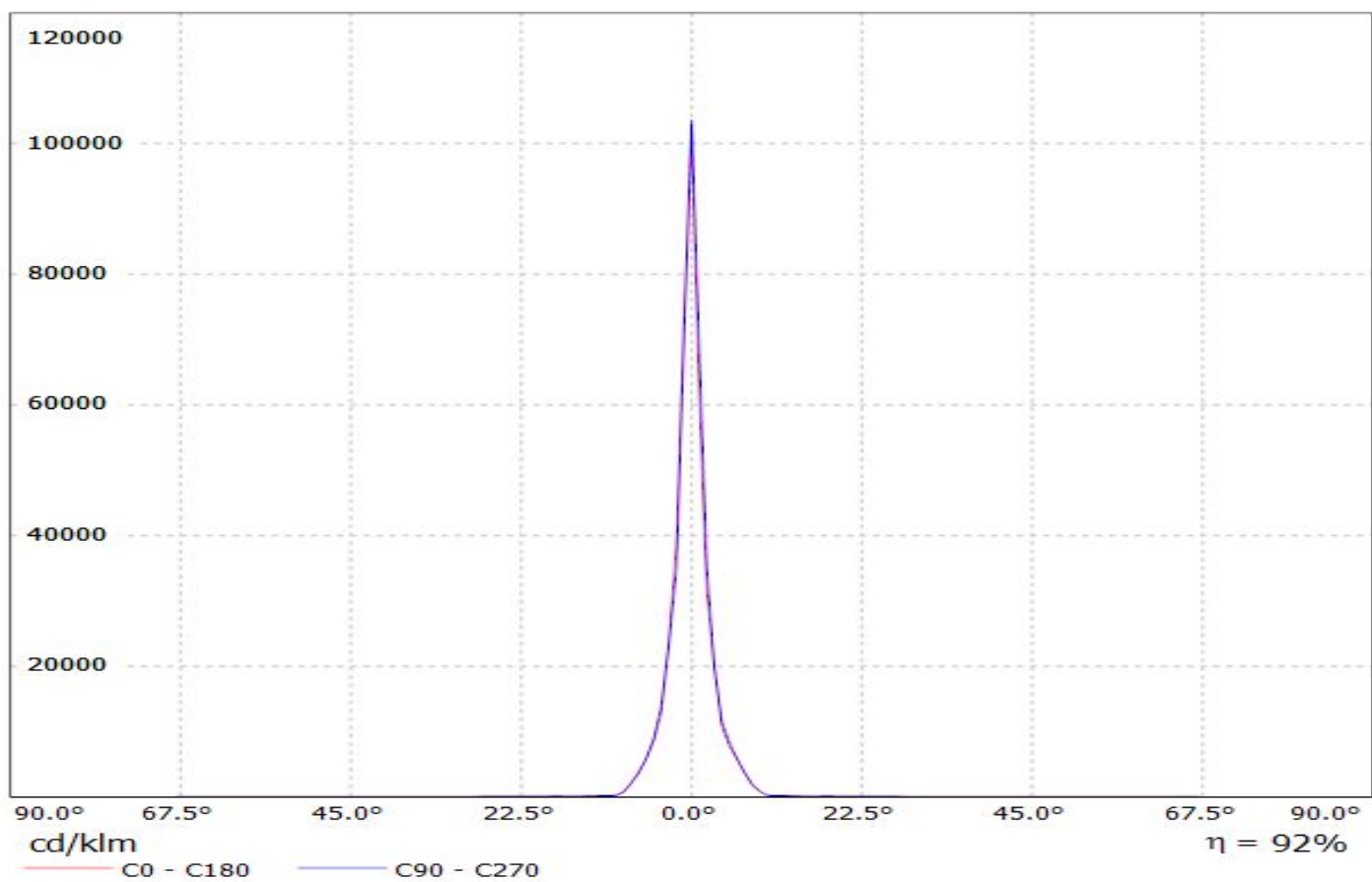
SCALE	1:1	WEIGHT	-	SHEET	1/1
-------	-----	--------	---	-------	-----

D

A

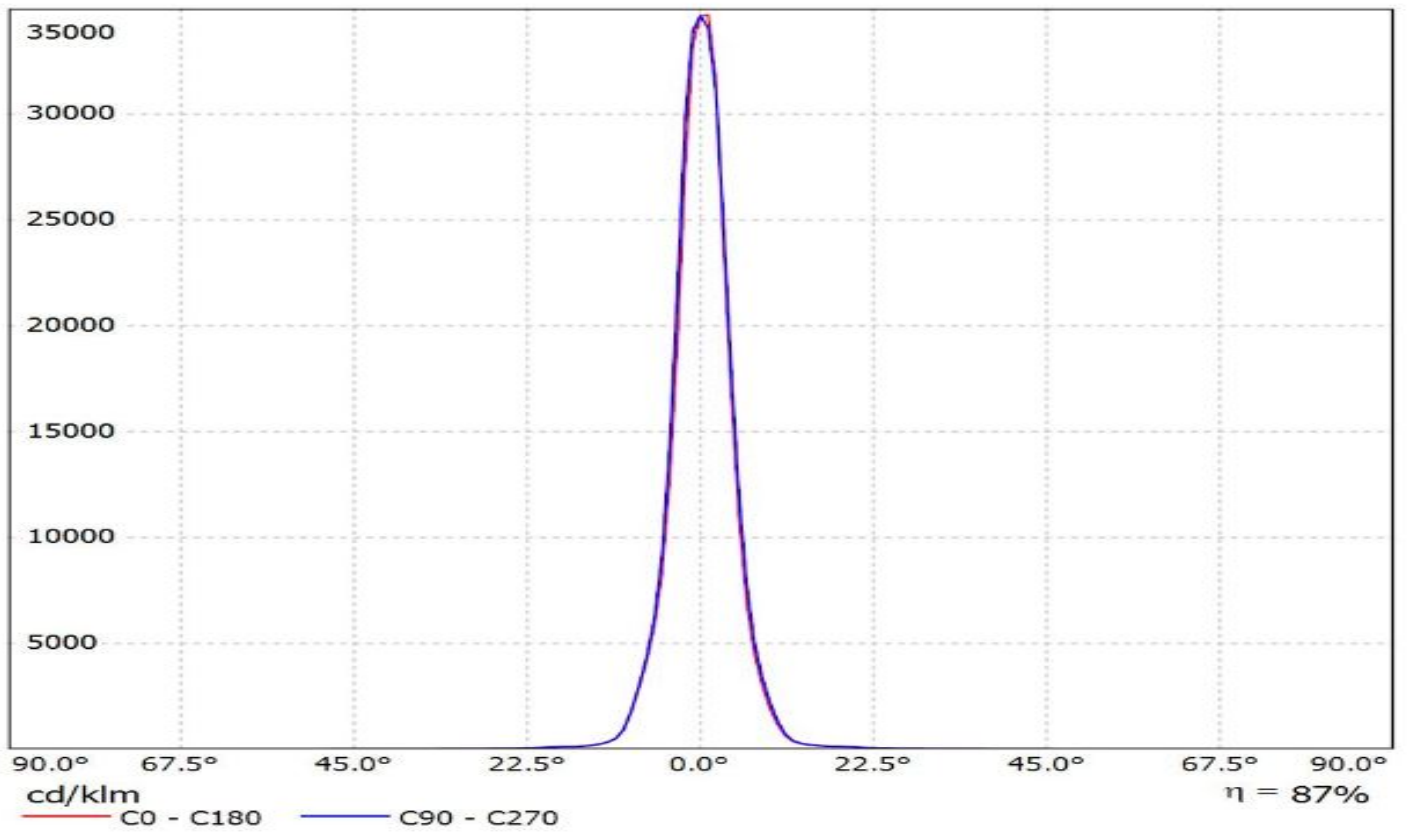


Luminaire: LEDiL Oy CN13552\_CRYSTAL-RS\_(Z\_ES)  
Lamps: 1 x Philips\_Lumileds\_Luxeon\_Z\_ES\_(LXZ2-5070)  
\_84.6528lm@250mA\_P=0.730483W\_I=249.9mA

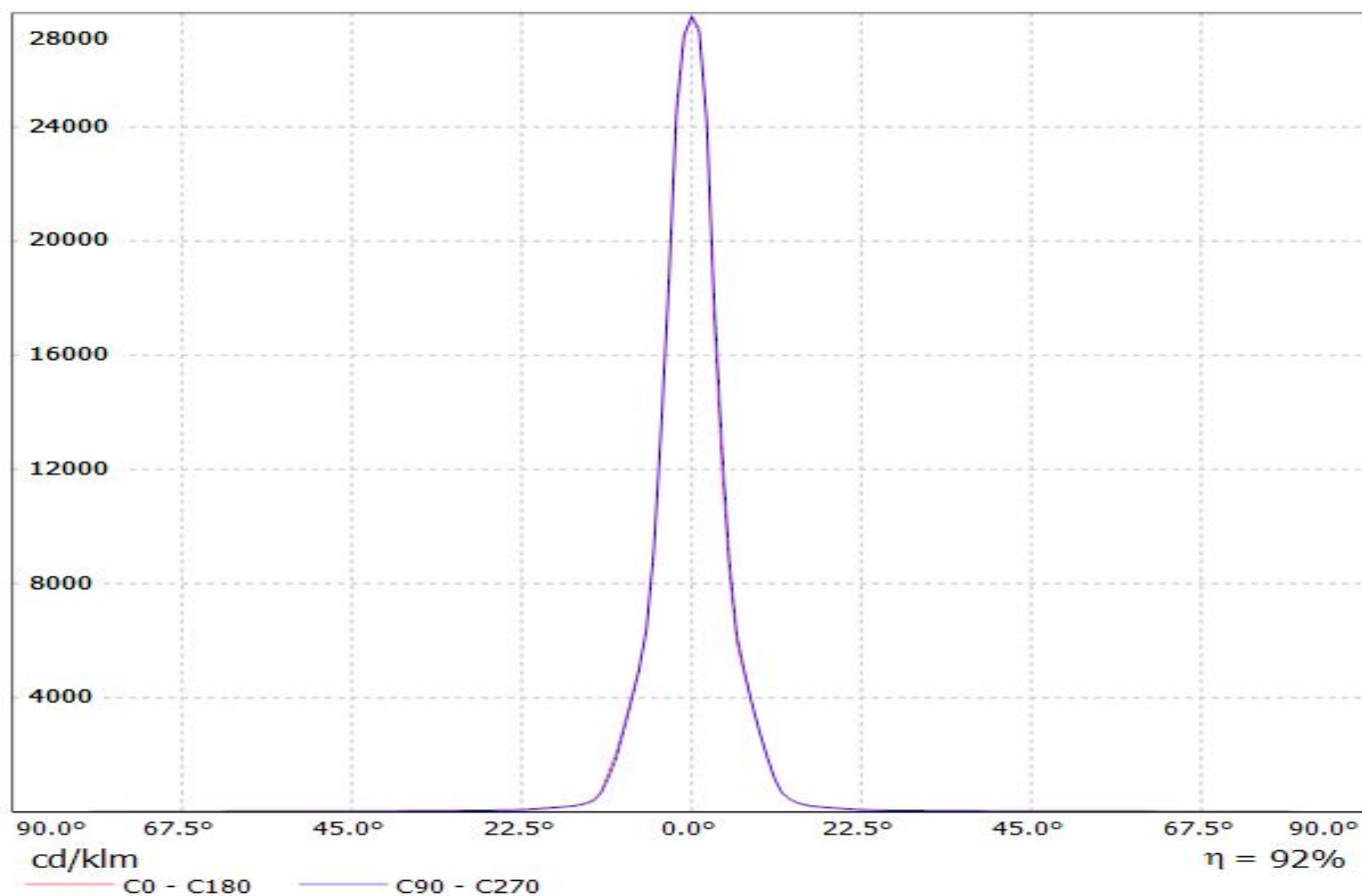


# Ledil CN13552\_CRYSTAL-RS\_(XP-L) / LDC (Linear)

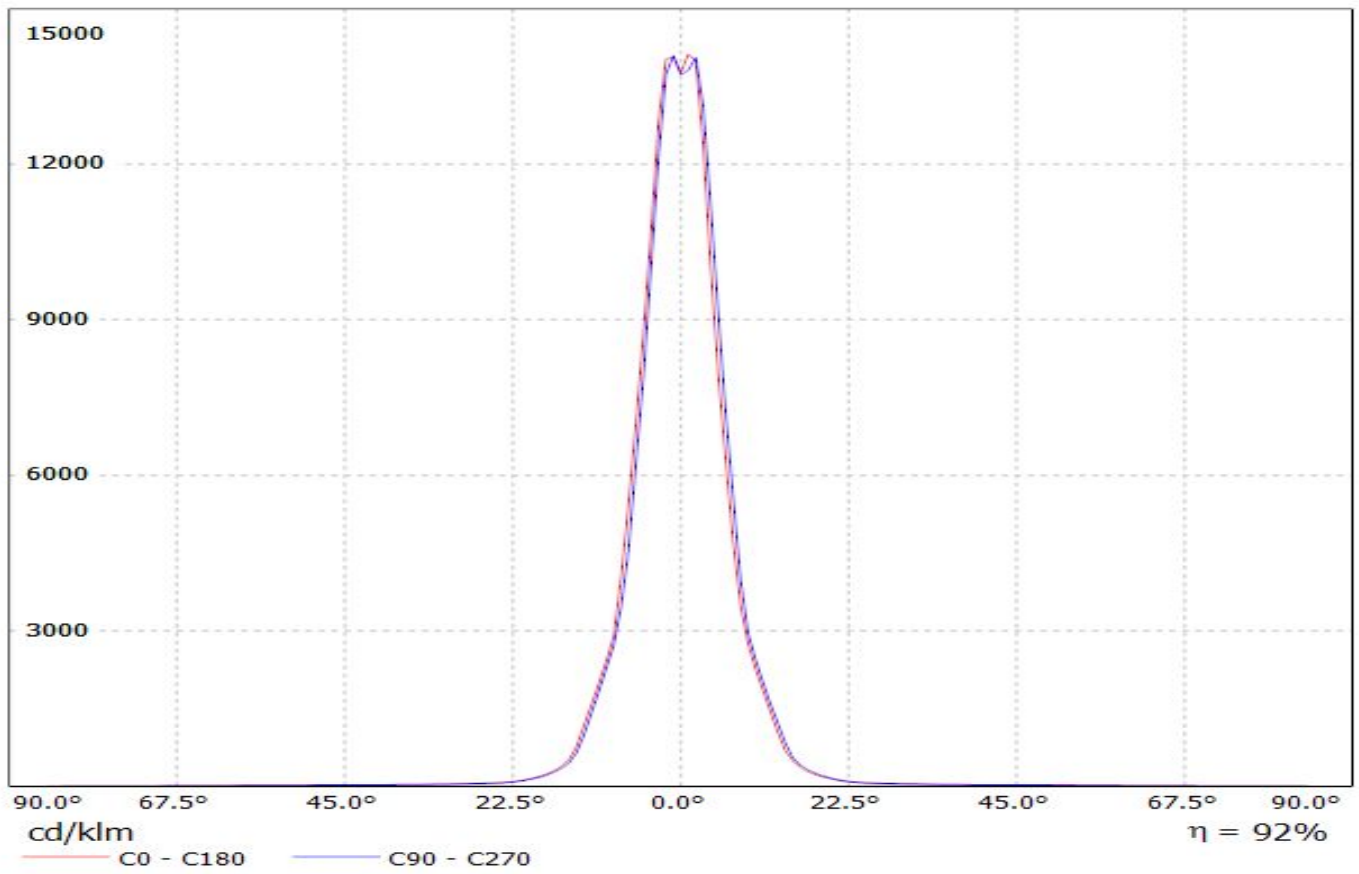
Luminaire: Ledil CN13552\_CRYSTAL-RS\_(XP-L)  
Lamps: 1 x CREE\_XP-L\_(XPLAWT-0-7A3-U50-0H-0001)  
\_107.852lm@250mA\_CCT=3185K\_P=0.7W\_I=0.25A



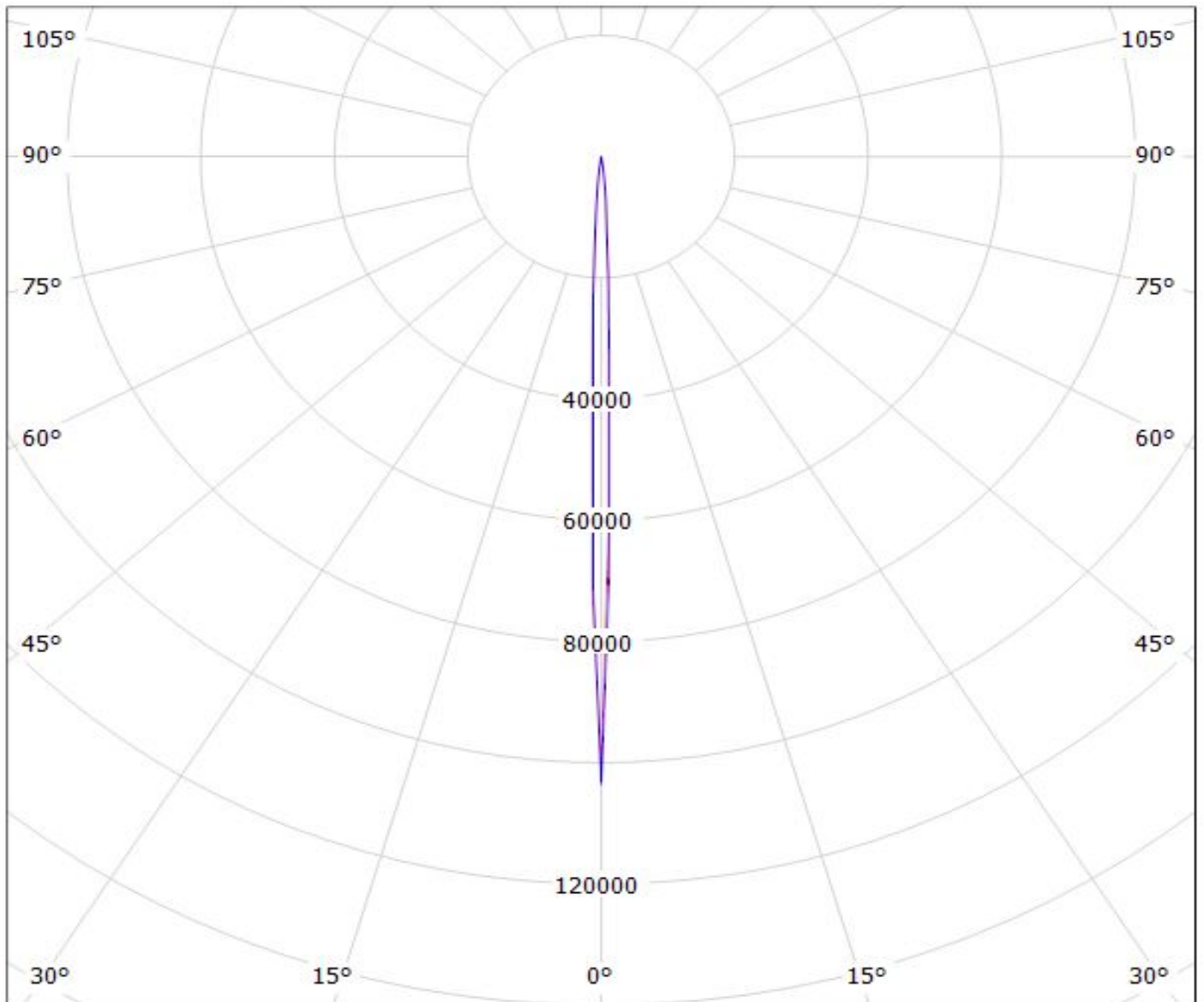
Luminaire: LEDiL Oy FCN13552\_CRYSTAL-RS\_(NWSL229AE)  
Lamps: 1 x Nichia\_NWSL229AE\_120.514lm@250mA\_P=0.7132W\_I=0.250A



Luminaire: LEDiL Oy FCN13552\_CRYSTAL-RS\_(Nichia\_NV4x144A)  
Lamps: 1 x Nichia\_NV4x144A\_478.709lm@250mA\_P=2.8097W\_I=0.250A



Luminaire: LEDiL Oy CN13552\_CRYSTAL-RS\_(Z\_ES)  
Lamps: 1 x Philips\_Lumileds\_Luxeon\_Z\_ES\_(LXZ2-5070)  
\_84.6528lm@250mA\_P=0.730483W\_I=249.9mA



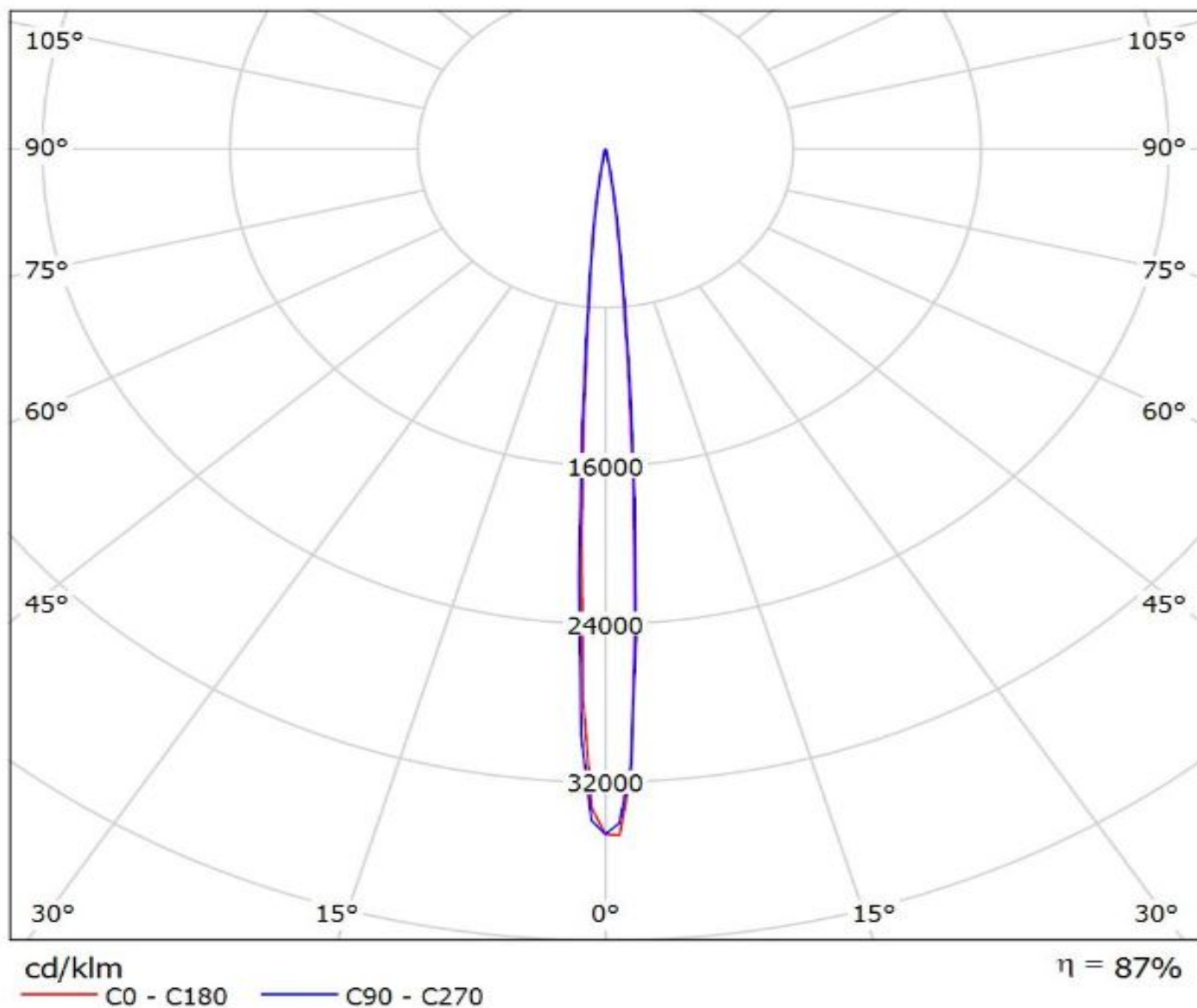
cd/klm

— C0 - C180 — C90 - C270

$\eta = 92\%$

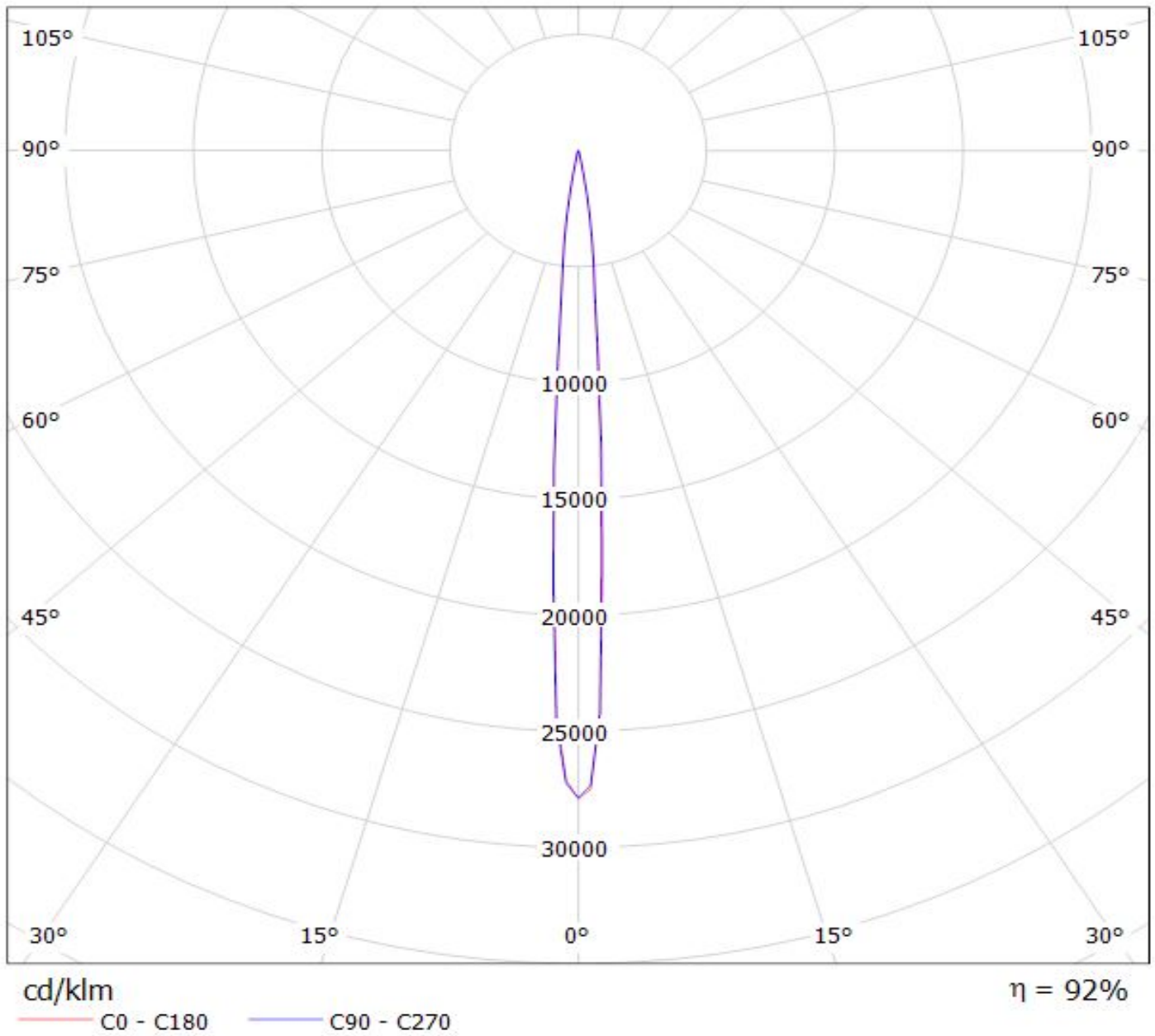
# Ledil CN13552\_CRYSTAL-RS\_(XP-L) / LDC (Polar)

Luminaire: Ledil CN13552\_CRYSTAL-RS\_(XP-L)  
Lamps: 1 x CREE\_XP-L\_(XPLAWT-0-7A3-U50-0H-0001)  
\_107.852lm@250mA\_CCT=3185K\_P=0.7W\_I=0.25A

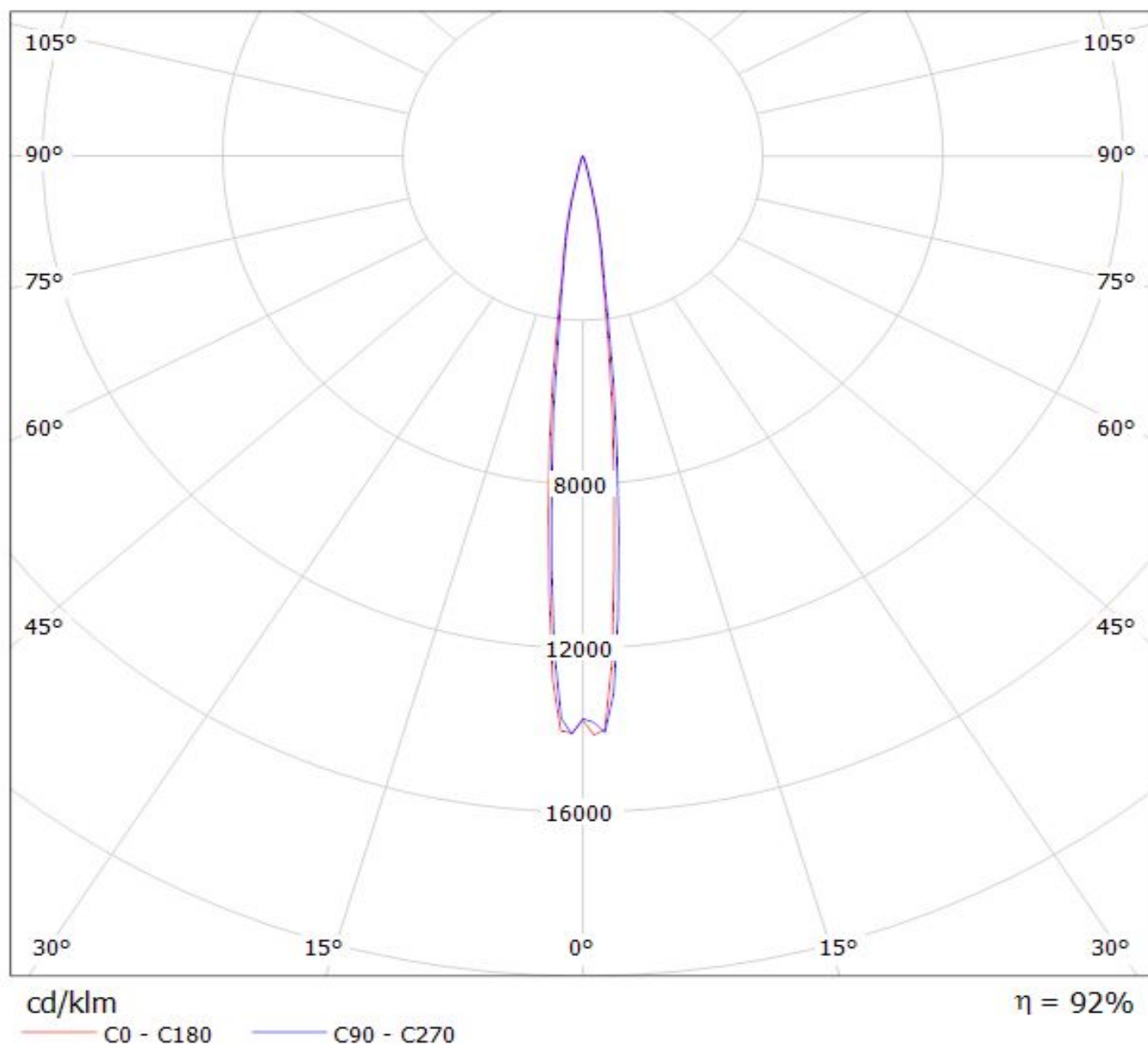


Luminaire: LEDiL Oy FCN13552\_CRYSTAL-RS\_(NWSL229AE)

Lamps: 1 x Nichia\_NWSL229AE\_120.514lm@250mA\_P=0.7132W\_I=0.250A



Luminaire: LEDiL Oy FCN13552\_CRYSTAL-RS\_(Nichia\_NV4x144A)  
Lamps: 1 x Nichia\_NV4x144A\_478.709lm@250mA\_P=2.8097W\_I=0.250A





**NOTE: The typical divergence will be changed by different color, chip size and chip position tolerance. The typical total divergence is the full angle measured where the luminous intensity is half of the peak value.**